

CRB-PS-M CABLE ROUTE BOSS KIT



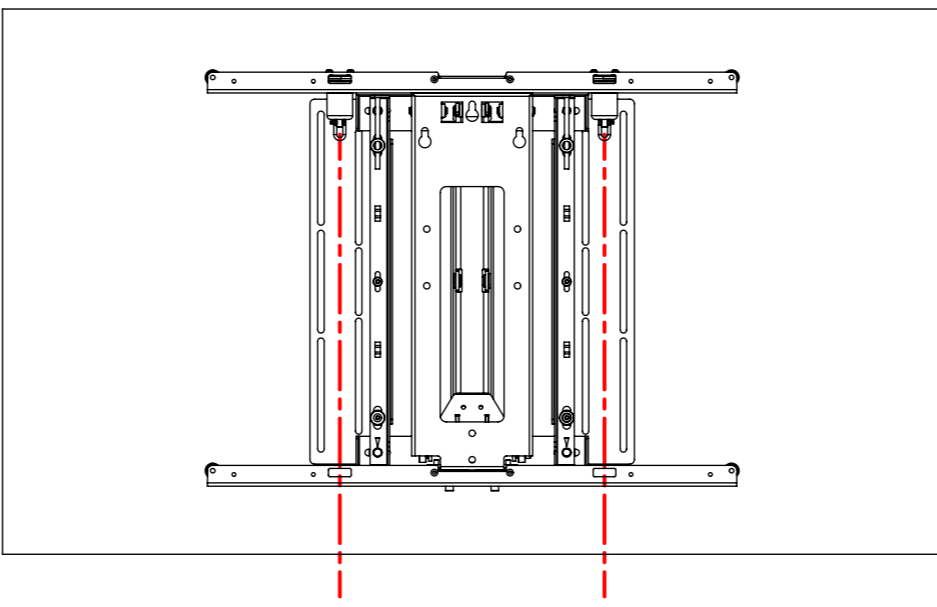
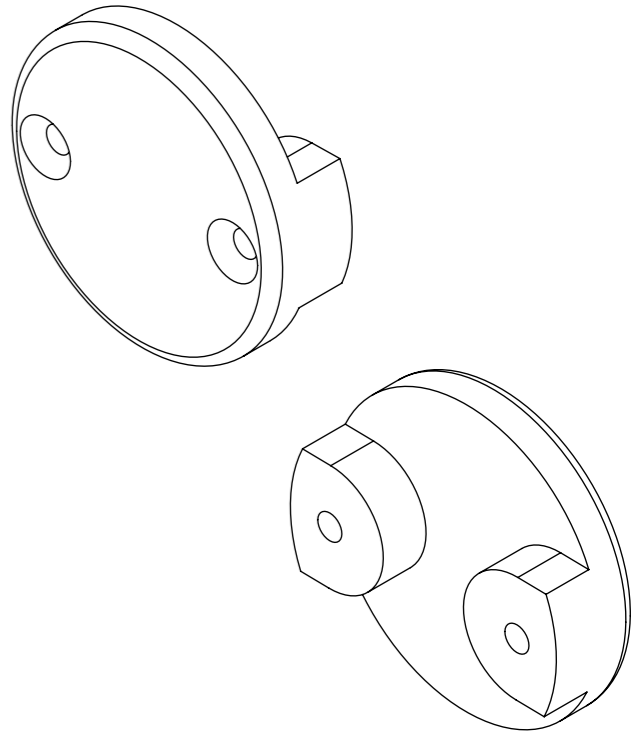
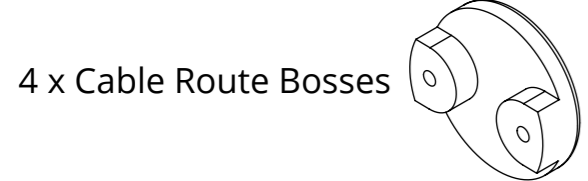
future automation

MARINE CATCH CABLE ROUTING

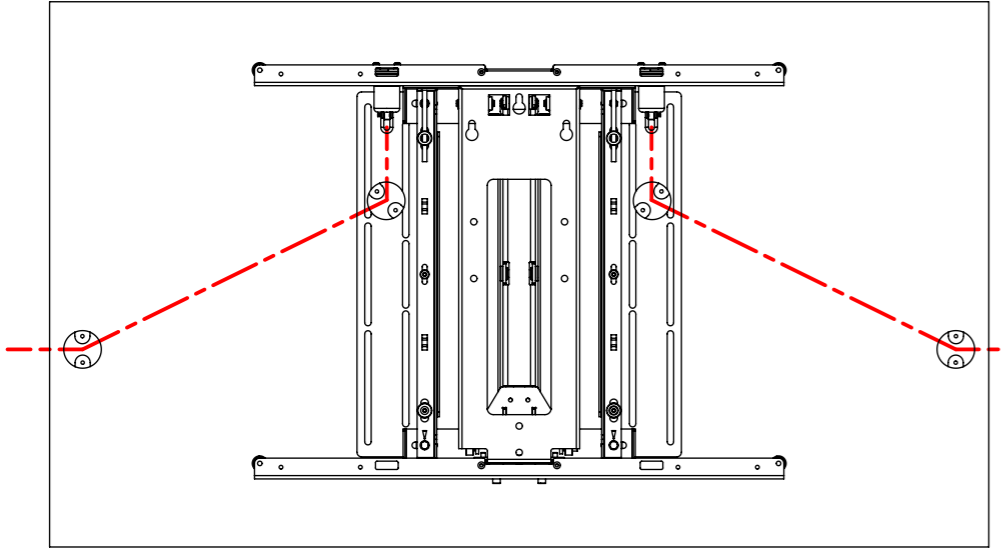
4 x Cable Routing Bosses are provided to route the 2 marine catch cords to the outer edges of the screen

Mount boss to be secured to the wall with countersunk fixings (NOT PROVIDED)

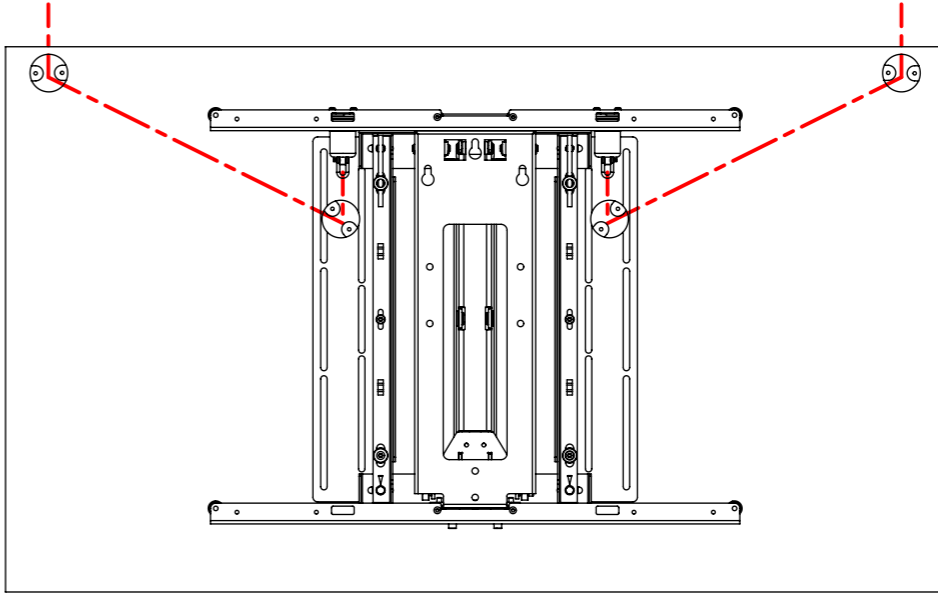
What's Included?



No Cable Routing Bosses used
Cables hang below the screen



Cable Routing Bosses used
Cables routed to the side of screen



Cable Routing Bosses used
Cables routed to the top of screen
This orientation increases pulling power required to release marine catch