

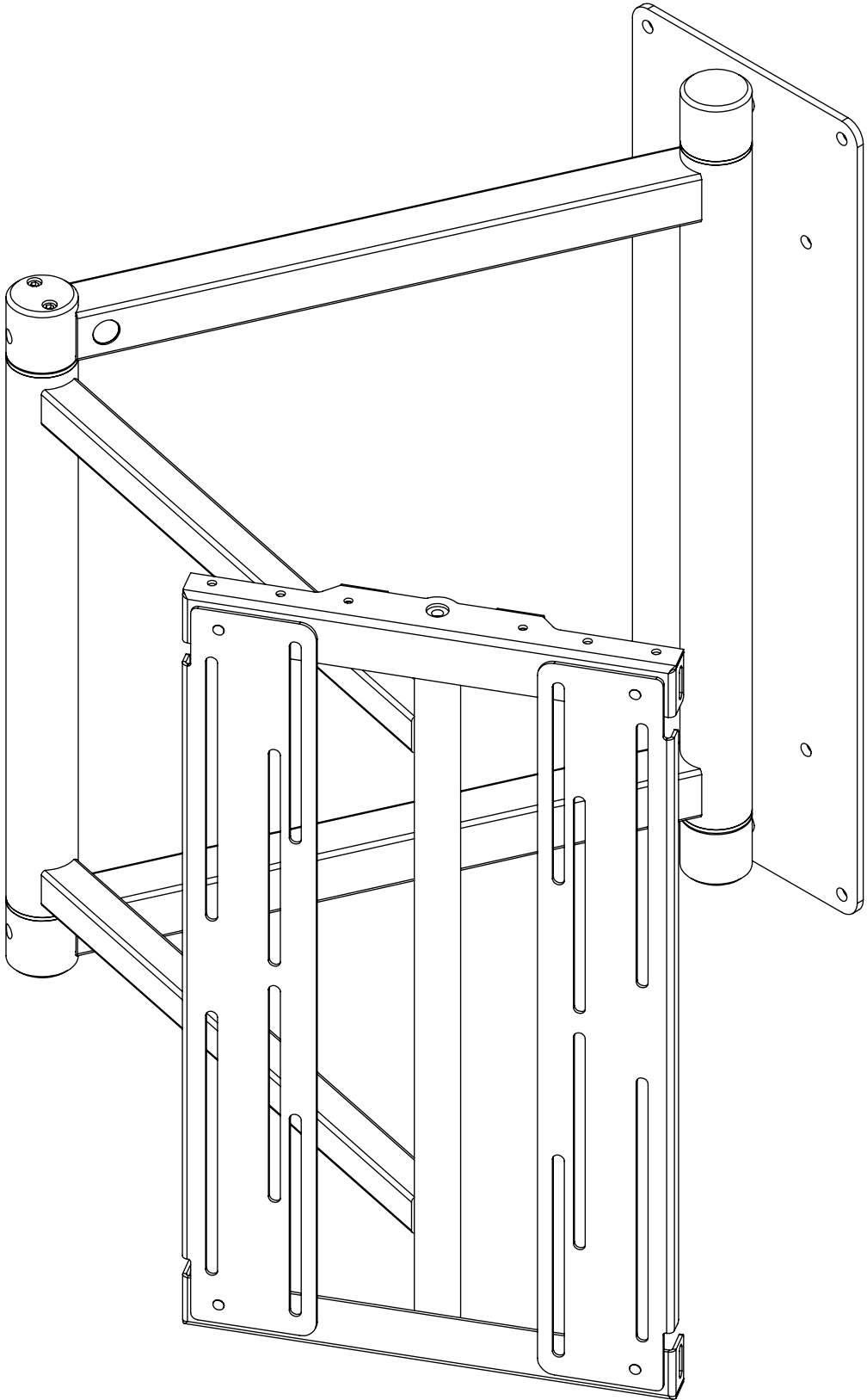


### DESIGN HIGHLIGHTS

- Solid steel construction holds display securely.
- Bi-directional swivel up to over 90 degrees in either direction.
- Standard arm lengths are 400mm [15.7"] long.
- Brushed aluminium caps for superb aesthetic finish.

### OPTIONS

- Any RAL colour available.
- Bang & Olufsen / Loewe mount option.
- Custom cut arms to any length up to 500mm [19.7"] per arm.



### FUNCTION

A manual wall bracket that can move a flat screen to almost any desired viewing position.

### SUITABILITY

All flat screens with rear mounting holes up to VESA 400x400 will be suitable for the DA3 bracket.

Check the screen size to make sure the screen covers the bracket in the IN / CLOSED position.

### SPECIFYING

Check wall makeup to decide on fixings to be used.

Check screen details for mounting possibilities.

Check viewing positions and angles.

Standard arm lengths are 400mm, custom lengths are available.

### WARNING

**It is the responsibility of the installer to warn all potential end users of the dangers of interfering with mechanisms during operation**

### IMPORTANT

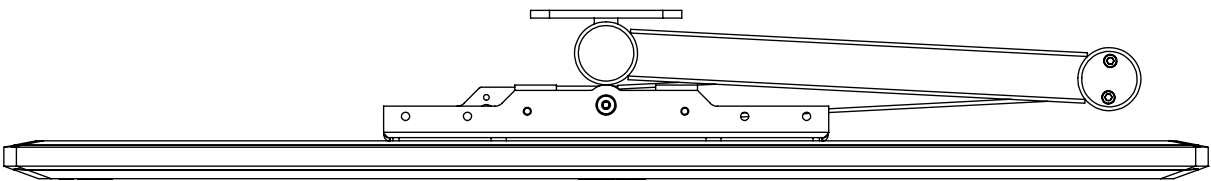
**Mechanisms which lift or move weights need to be checked on a yearly basis for any damage which may result in an accident**

## Movement Examples

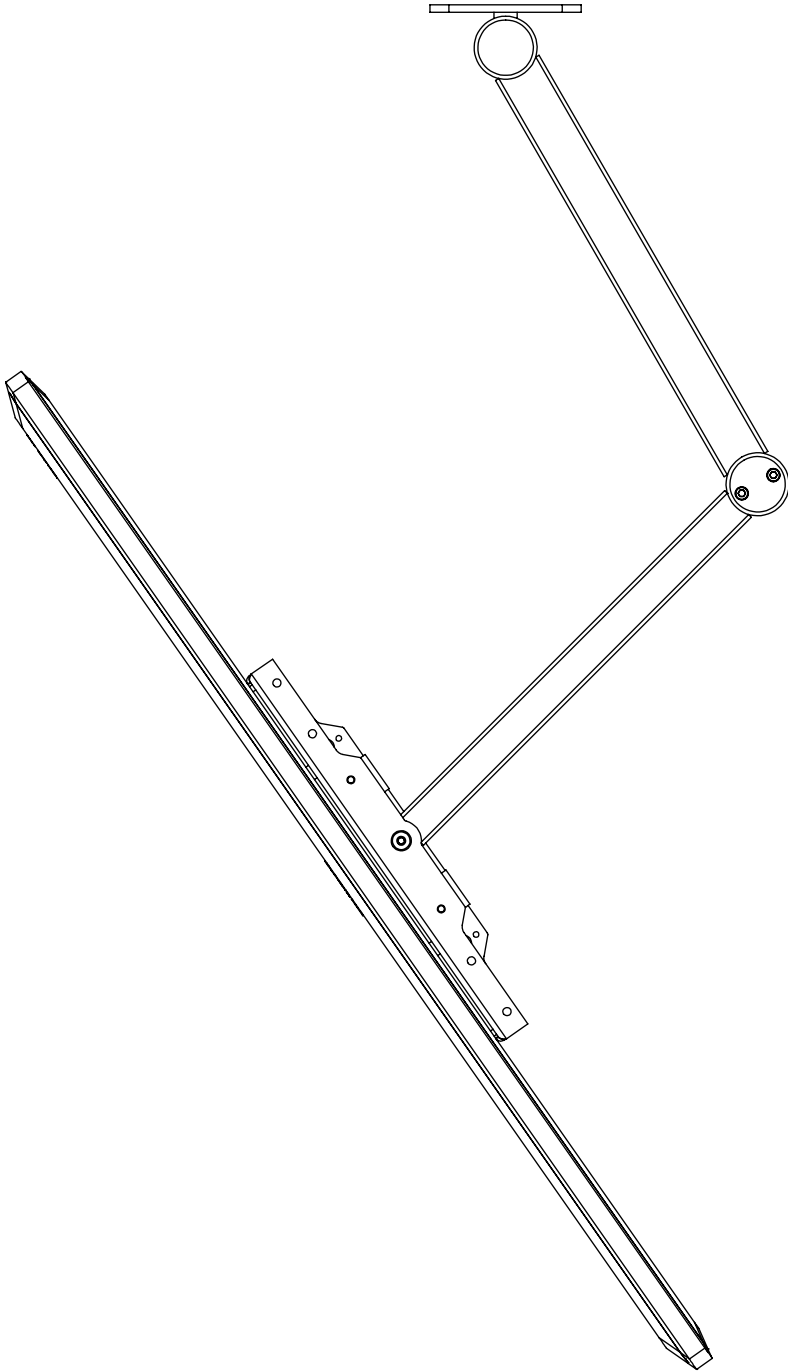
The DA Bracket can move into many different positions to create the most suitable viewing angle. The screen can parallel track out to the maximum extension and then rotate over 90° in either direction.

Other custom positions can be formed and with a smooth positive movement the bracket will hold the screen securely in place.

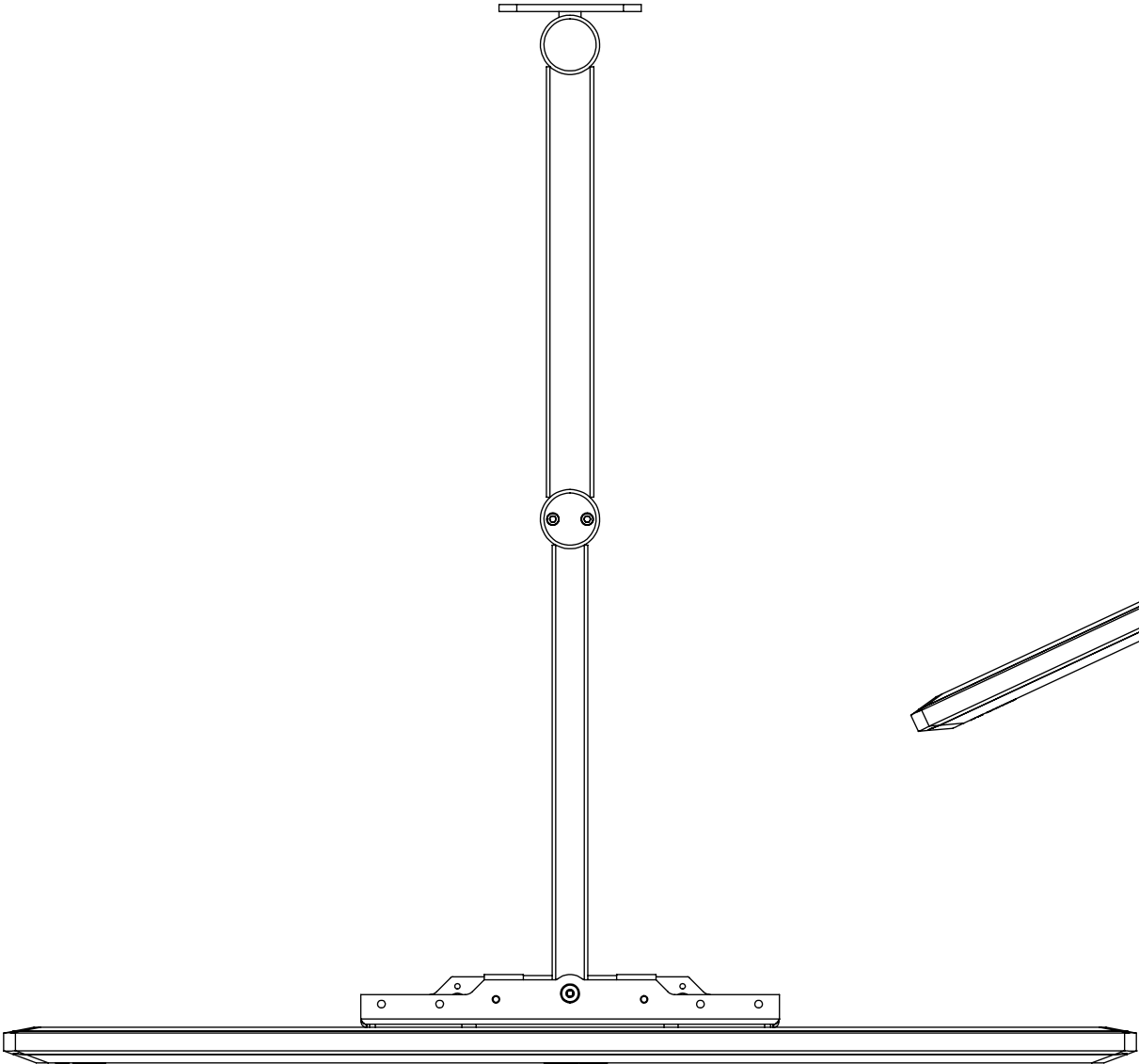
IN Position



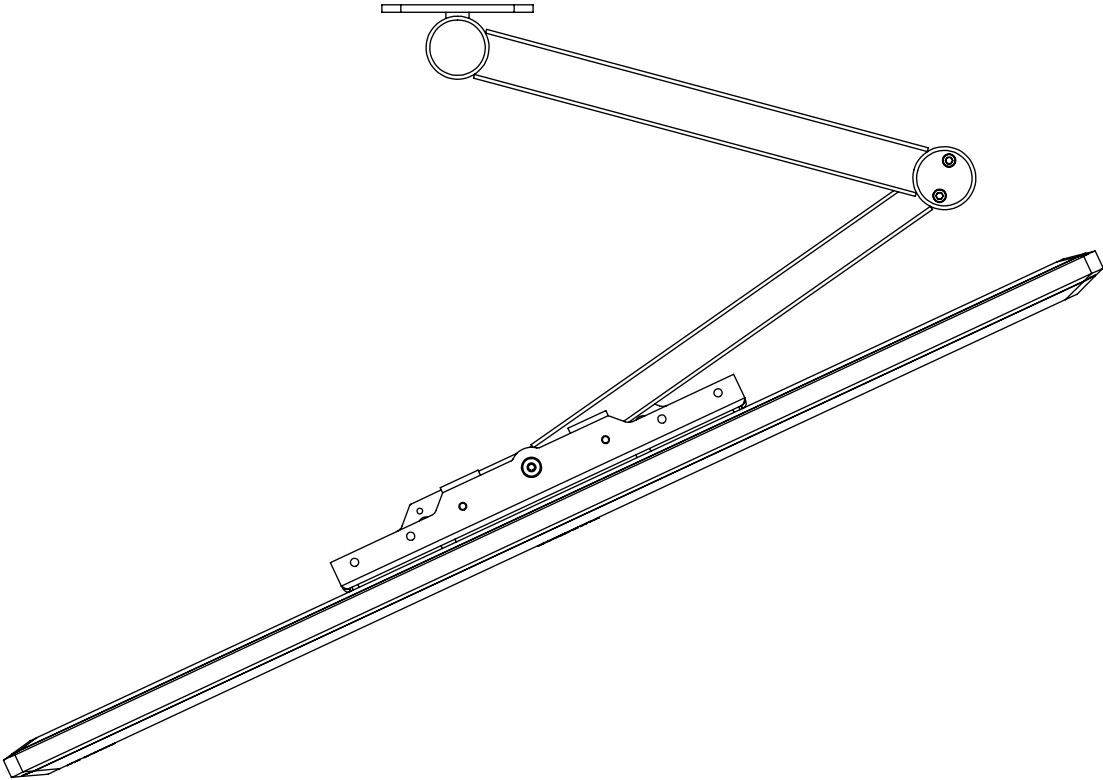
Possible Viewing Position



Max OUT Position



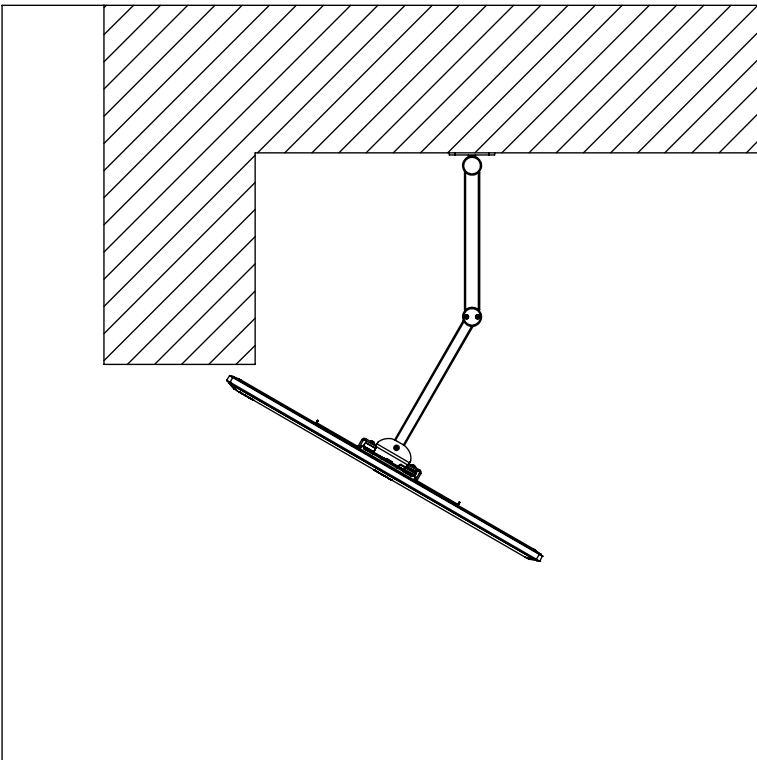
Possible Viewing Position



## Wall Mounting

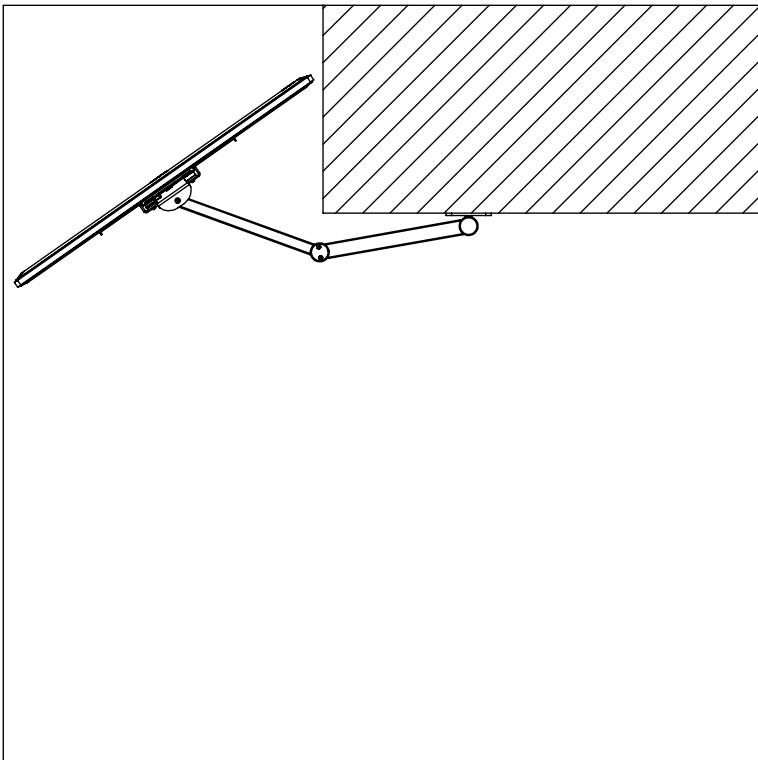
The DA wall bracket can be used as a solution for many installations. Below are some examples.

Wall Example 1



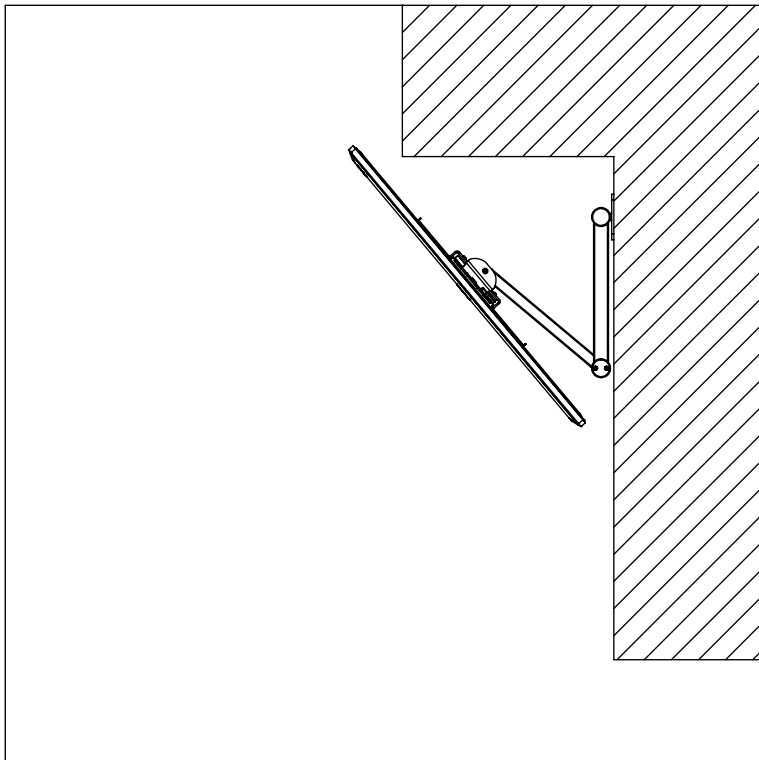
To store the screen in a deep recess and still be able to move the screen out and around to a required viewing angle.

Wall Example 2



To store the screen facing one direction and still be able to move the screen up to 180° around a corner to another viewing area.

Wall Example 3



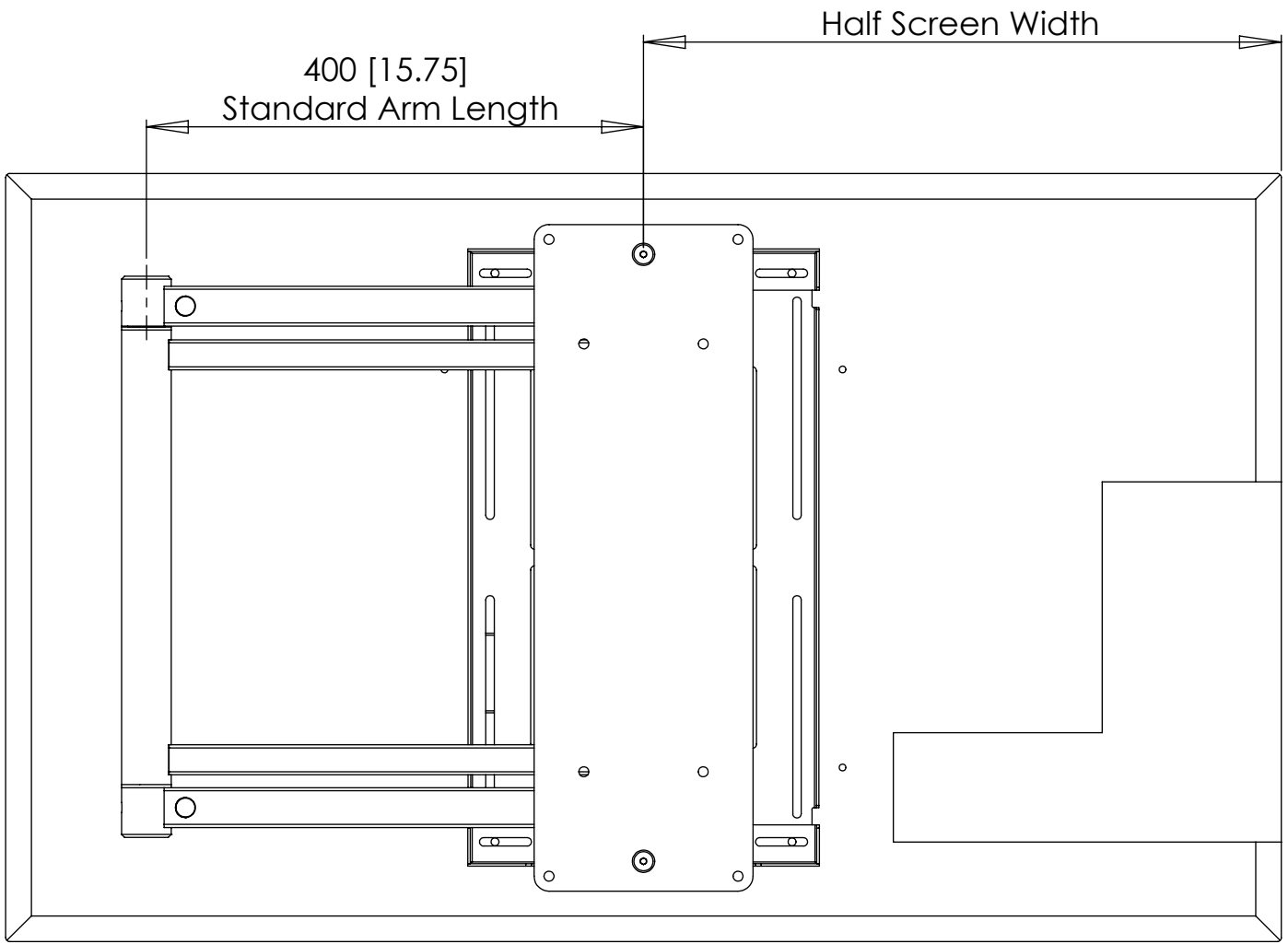
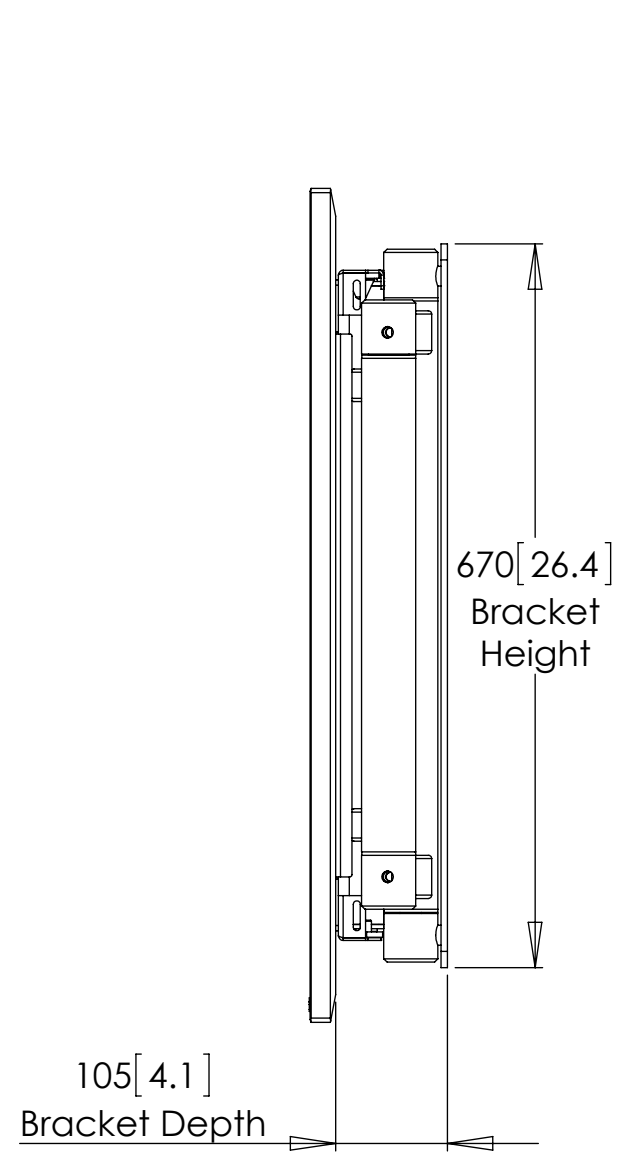
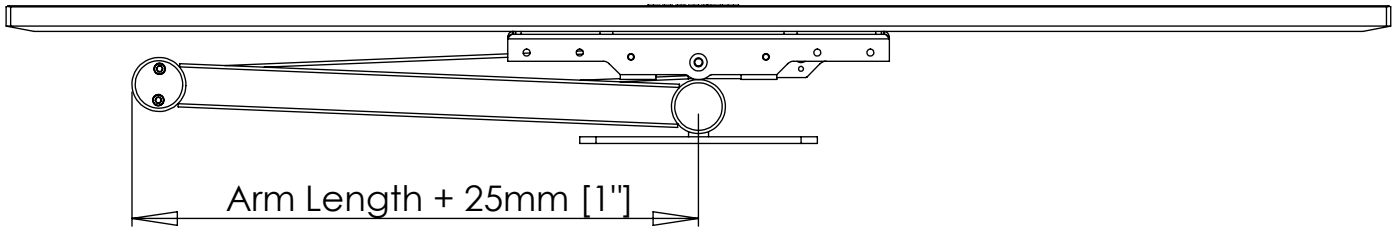
To fix the screen to one wall of a room corner installation.

## Bracket Dimensions

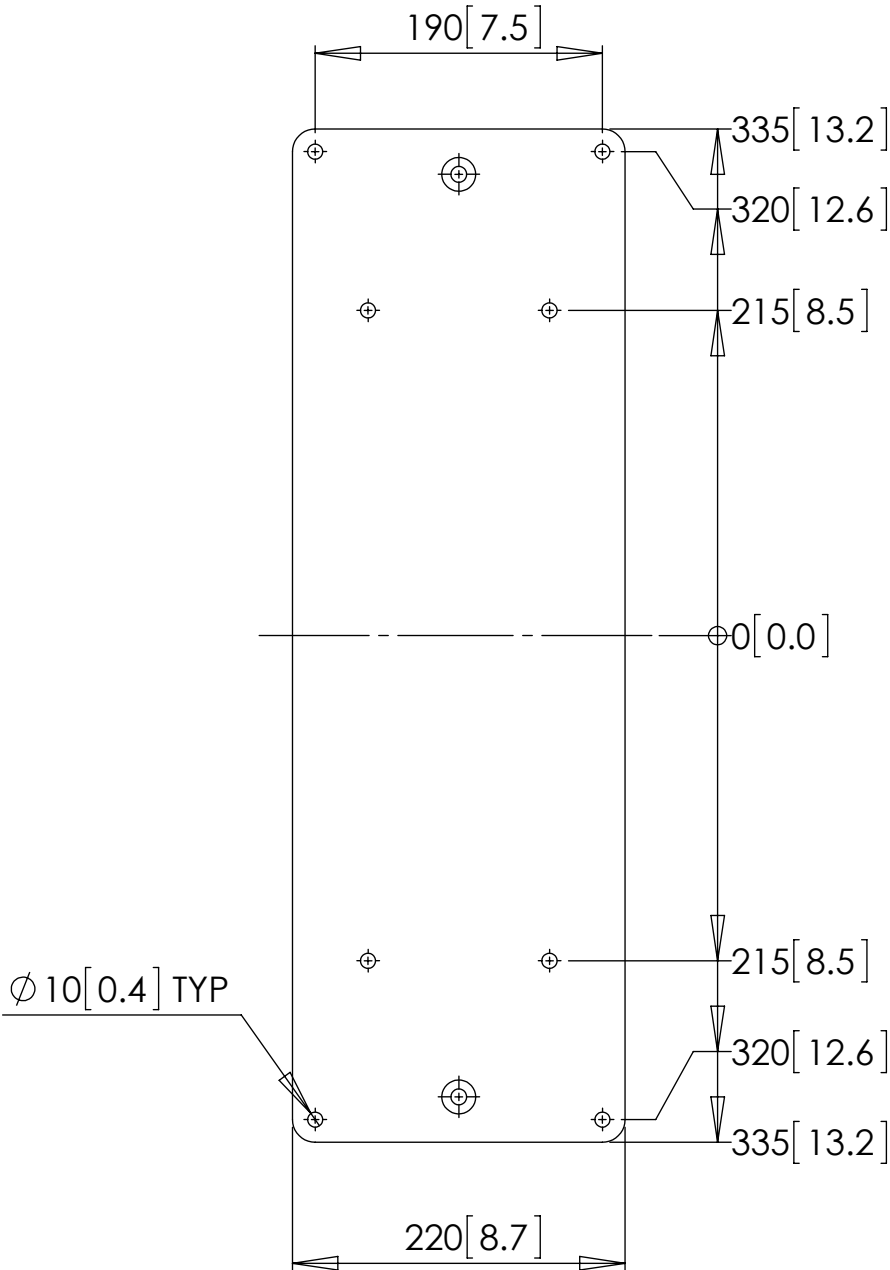
The DA3 utilises an adjustable slotted screen mount capable of fixing bolt patterns up to VESA 400.

**NOTE:**

Make sure that the bracket doesn't over hang the screen in the closed position. Check the width of the screen against the bracket arm lengths.



**WALL PLATE**



## Screen Mount Configurations

### VESA 200

### VESA 300

### VESA 400

NOTE:

For bolt patterns 400mm wide the slotted uprights (1, 2) need to be switched over as shown.

