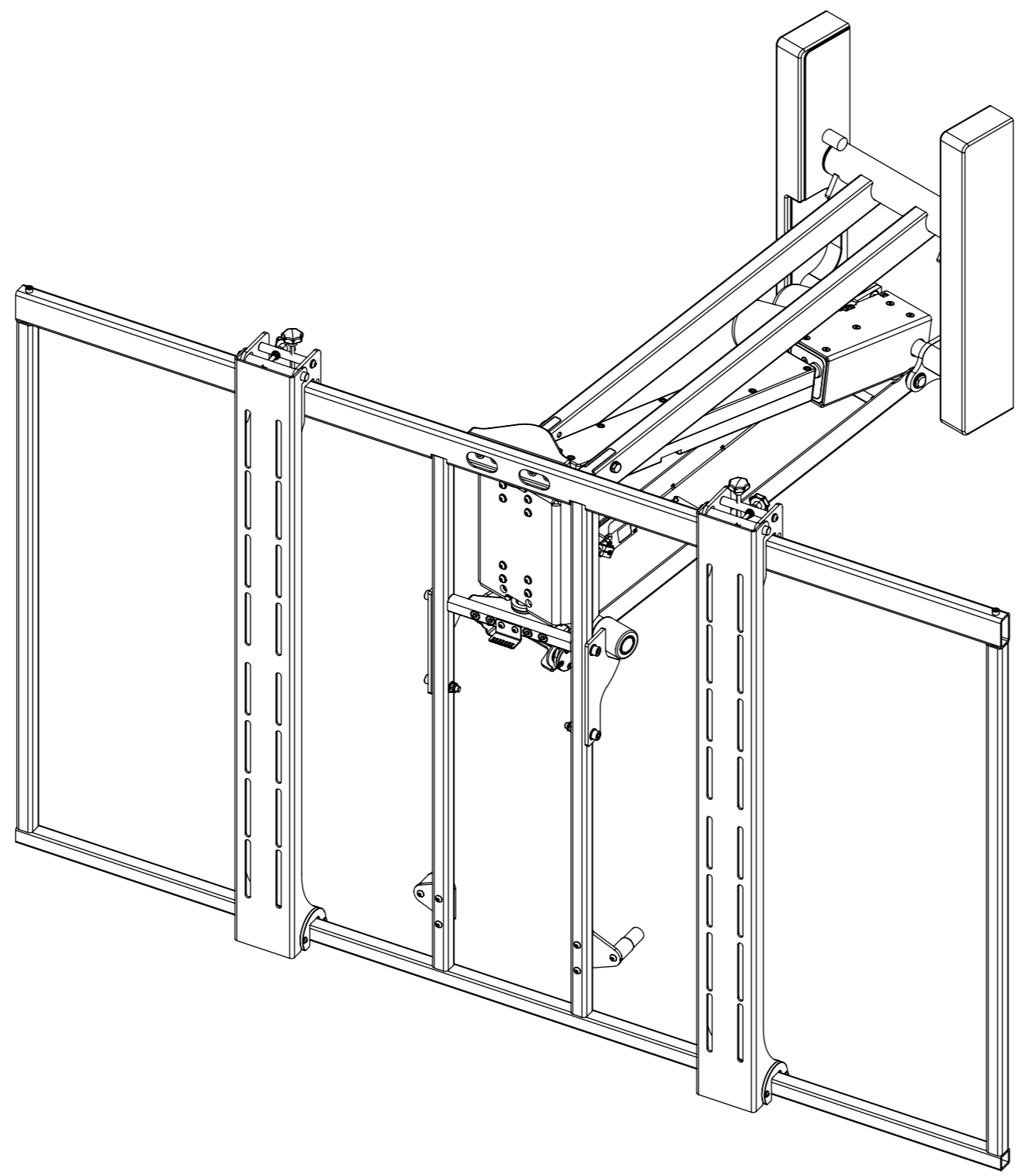


# EAD100

## ELECTRIC ADVANCE & DROP BRACKET



future automation



# EAD100

## ELECTRIC ADVANCE & DROP BRACKET



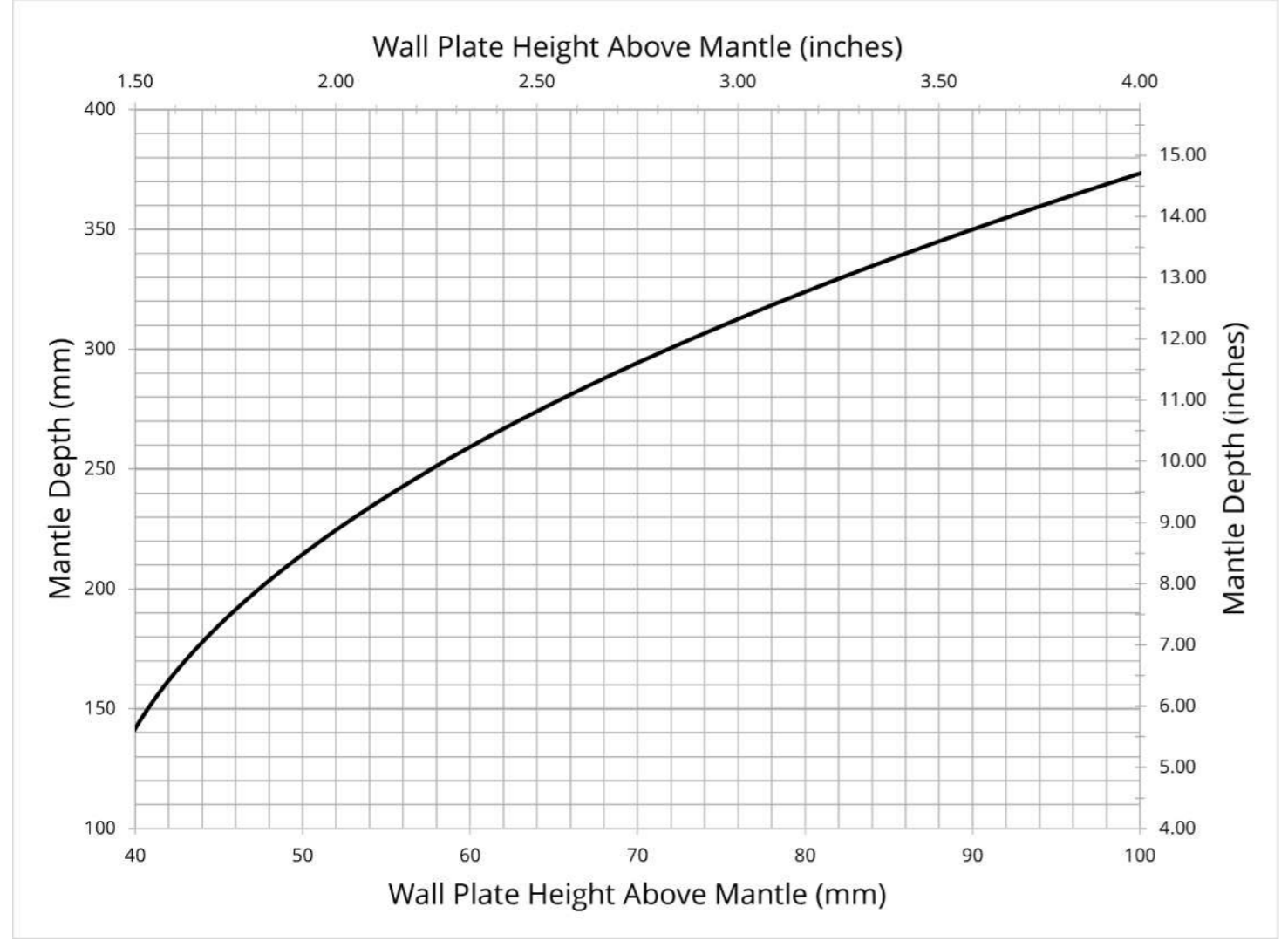
SPECIFICATION	MEASUREMENTS
Product Dimensions	1155mm [45 1/2"] H x 1600mm [63"] W x 230mm [9 1/16"] D
Product Weight	70Kg [154lb]
Approximate Screen Sizes	97"+
Maximum Weight Capacity	160Kg [353lb] Max.
Depth From Wall	230mm [9 1/16"]
Maximum Extension From Wall	883mm [34 3/4 "]
Maximum Drop From IN Position	835mm [32 7/8 "]
Packaging Dimensions	TBC
Shipping Weight	TBC
Advance & Drop Movement Type	Motorised
Swivel Movement Type	Manual - 20° Bi-Directional
Power Supply Required	110V - 240V AC
Power Consumption Max.	120W
Power Consumption Standby	3W
Mounting Patterns Supported	VESA 1500 - 400 W x 800, 600, 500, 400, 300 H
Control Options	IR Remote, RS232, Contact Closure
Product Options / Features	Custom mounts / adapters, Custom RAL paint finishes
Package Contents	Mechanism, IR remote control, Control box
Marine Suitable	No

# EAD100

## ELECTRIC ADVANCE & DROP BRACKET

### POSITIONING AND MOVEMENT DETAILS

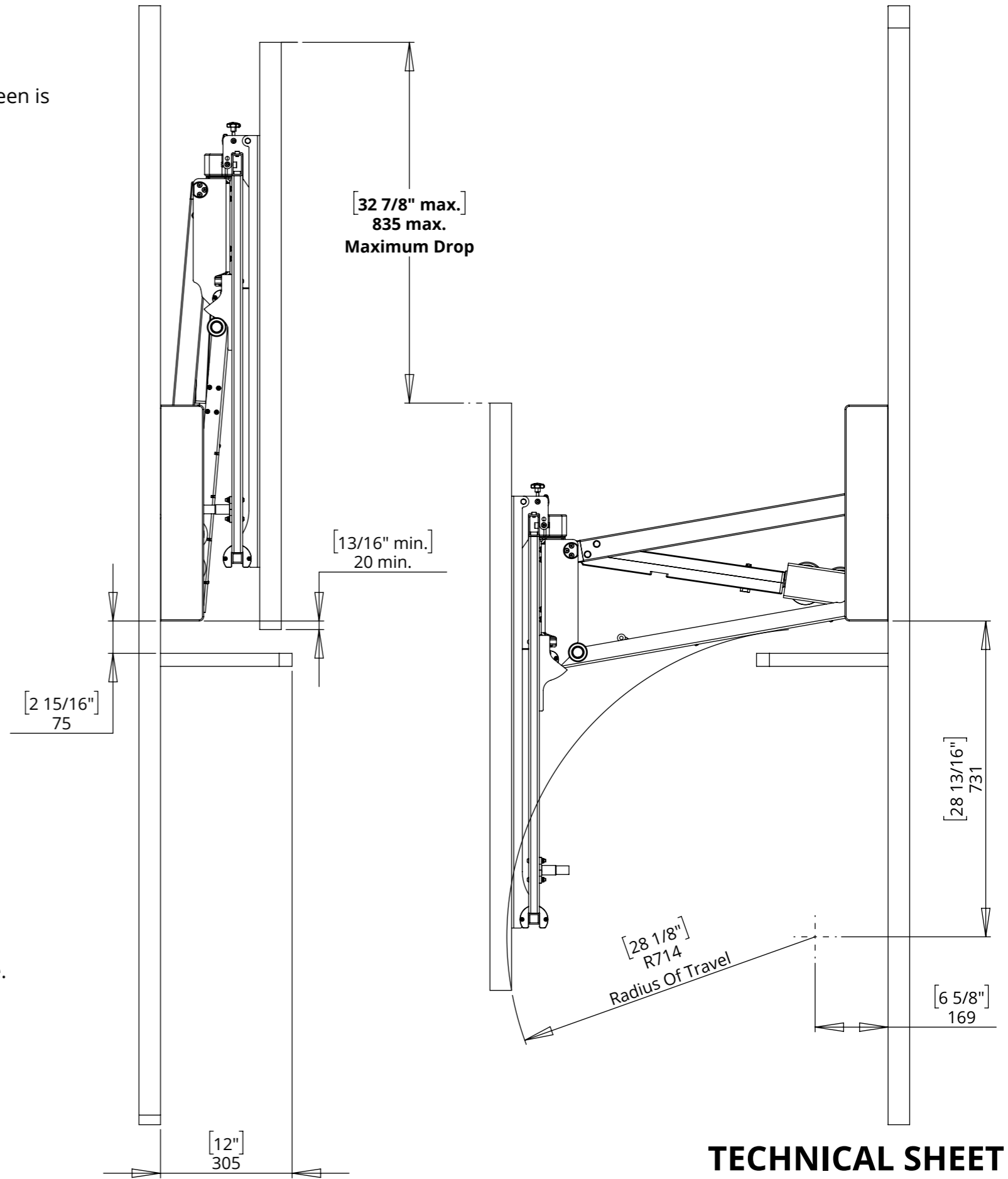
The graph below gives an approximation of Wall Plate position assuming the bottom edge of the screen is 20mm below the wall plate.



Example shown (right) for a 305mm [12"] mantle piece with the EAD100 mounted 75mm [2 15/16"] above it.

If the EAD100 is being recessed then the figure for Mantle Depth increases by the recess depth value.

**The lower screen edge must sit a minimum of 20mm [13/16"] below the EAD100 wall plate** (as shown in views right). If the offset needs to be larger then the wall plate height above mantle increases by the offset amount.



# EAD100

## ELECTRIC ADVANCE & DROP BRACKET

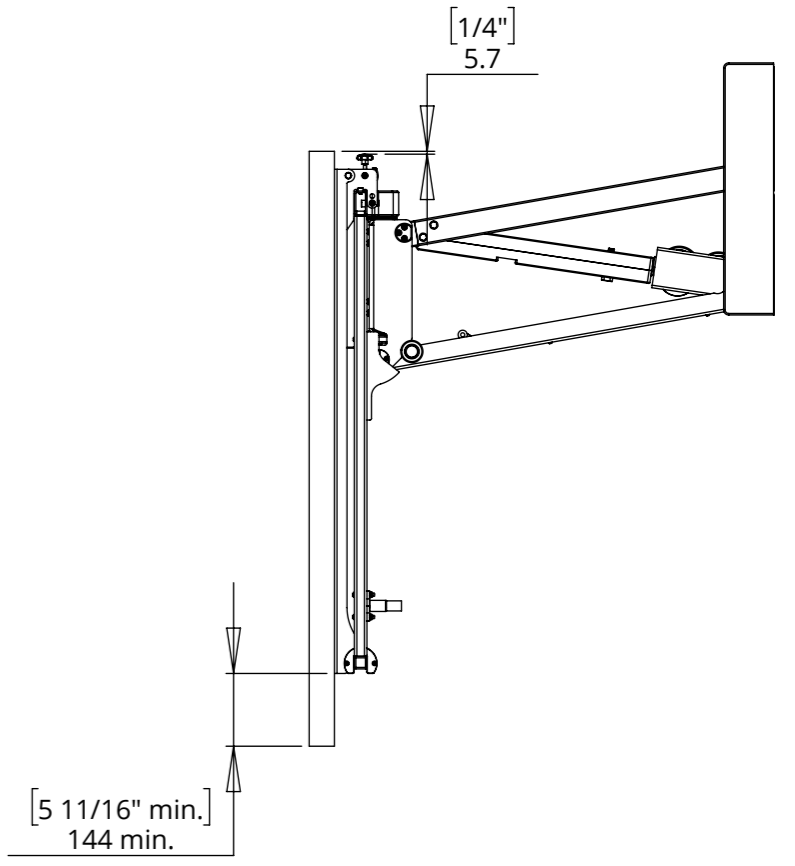
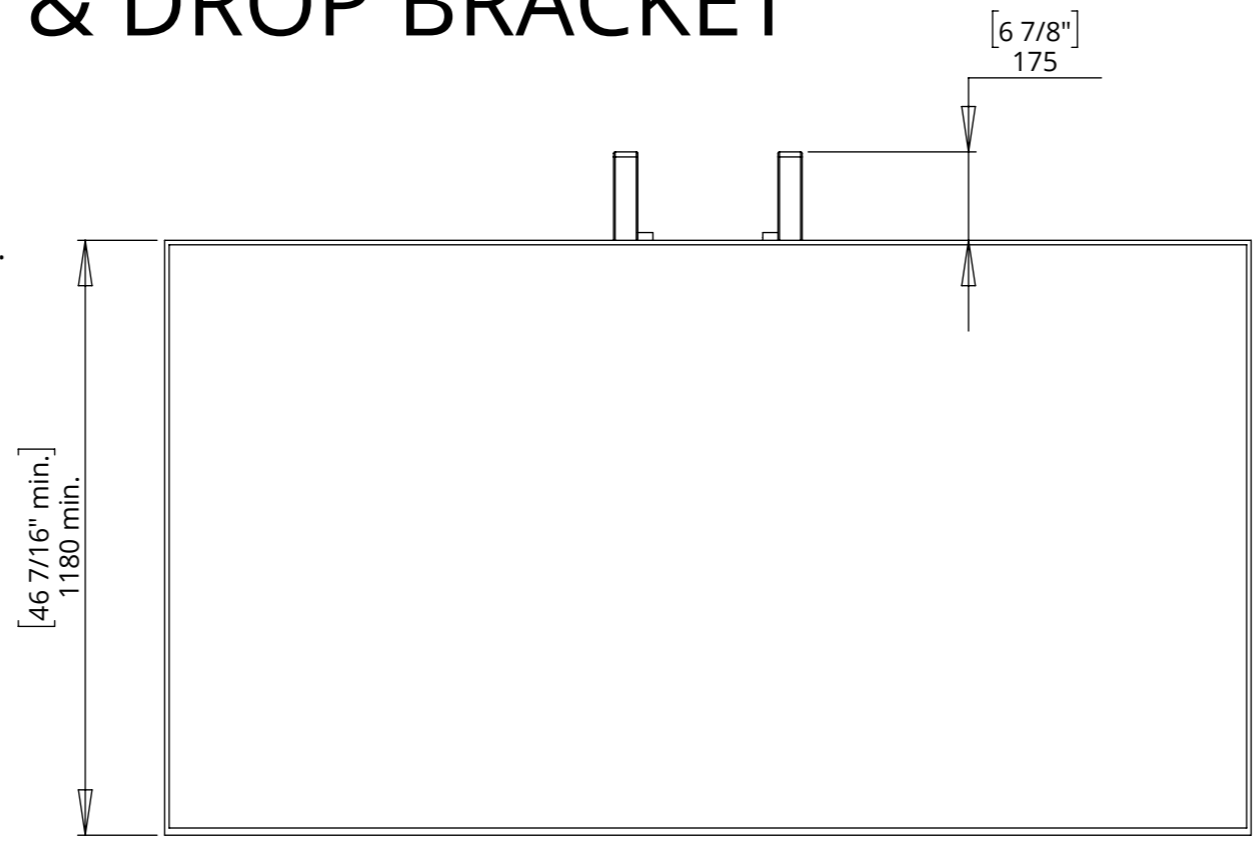


future automation

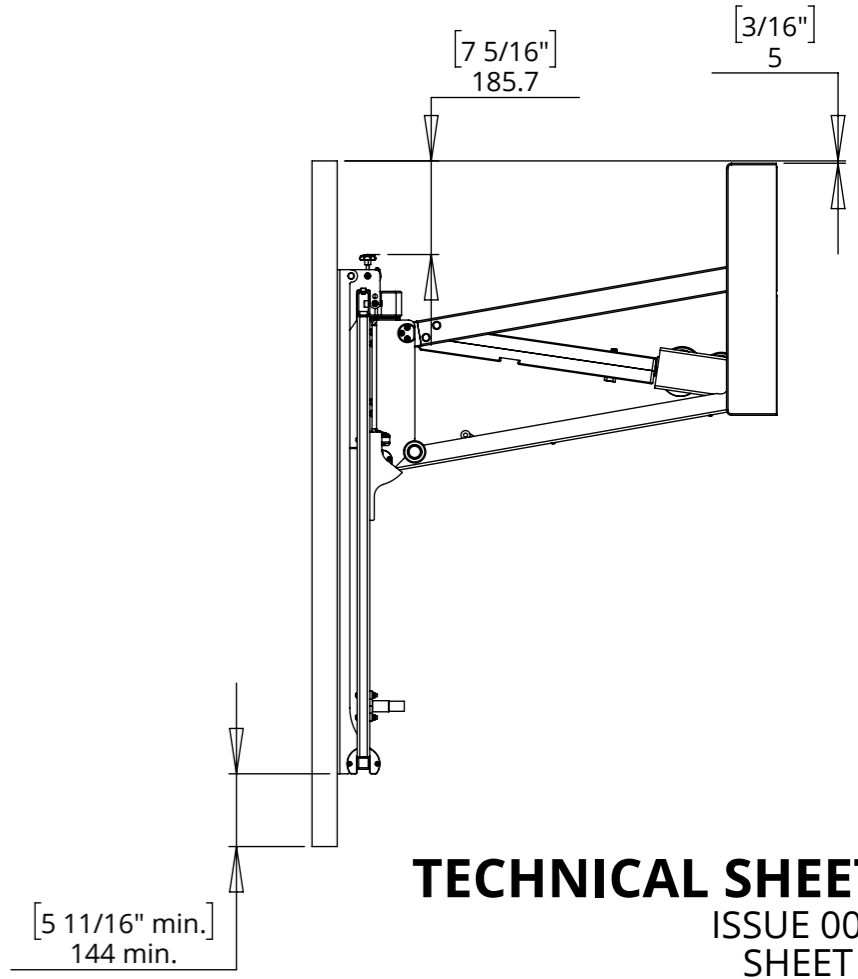
### MINIMUM SCREEN SIZES

A screen with height of 1180mm [46 7/16"] will be required to fully cover the mechanism in the UP position.

**NOTE: The top of the EAD100 will be visible when in the down position**



A screen with height of 1360mm [53 9/16"] will be required to fully cover the mechanism in both the UP & DOWN positions.



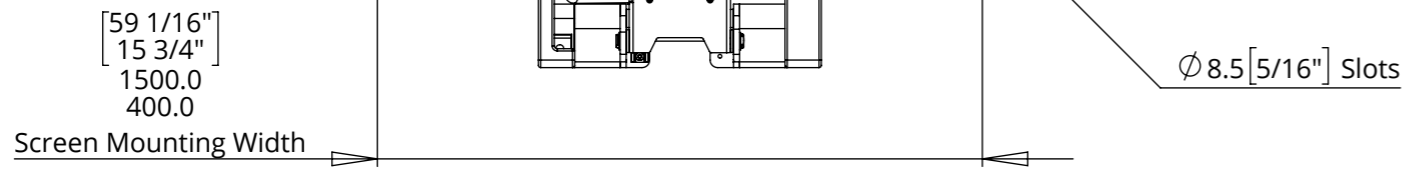
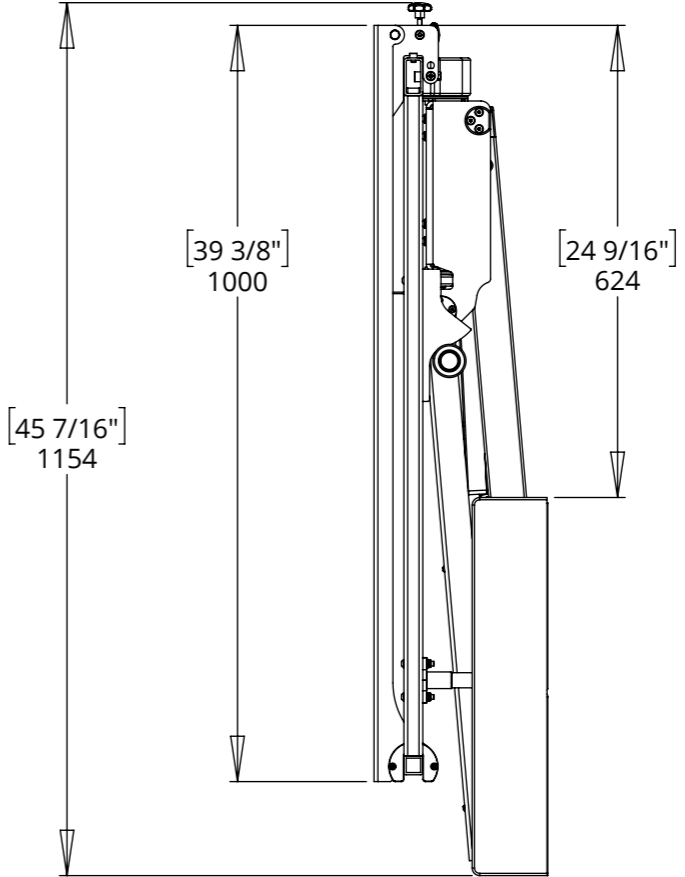
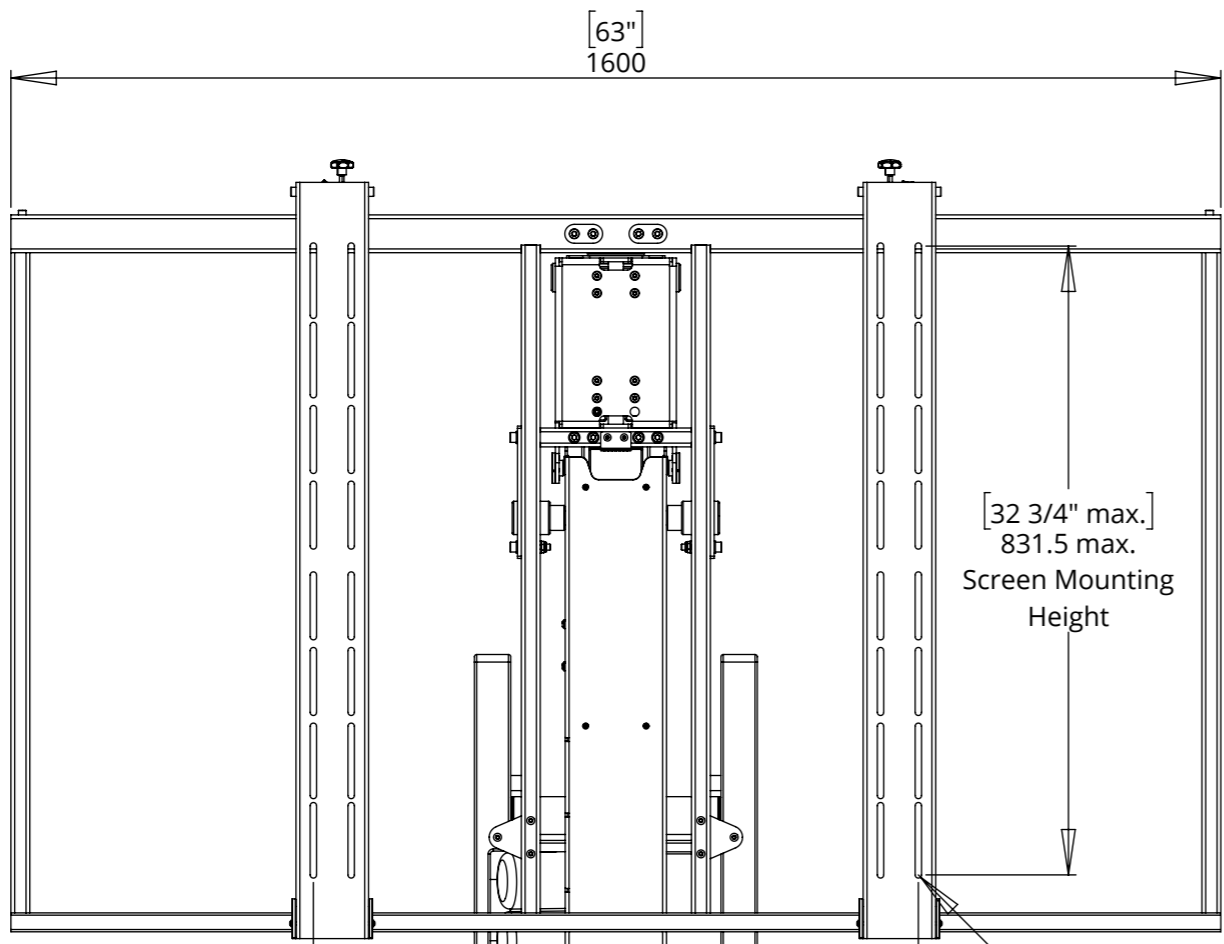
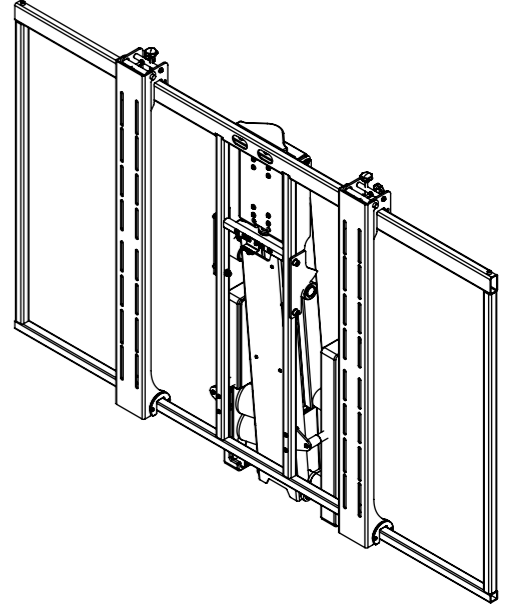
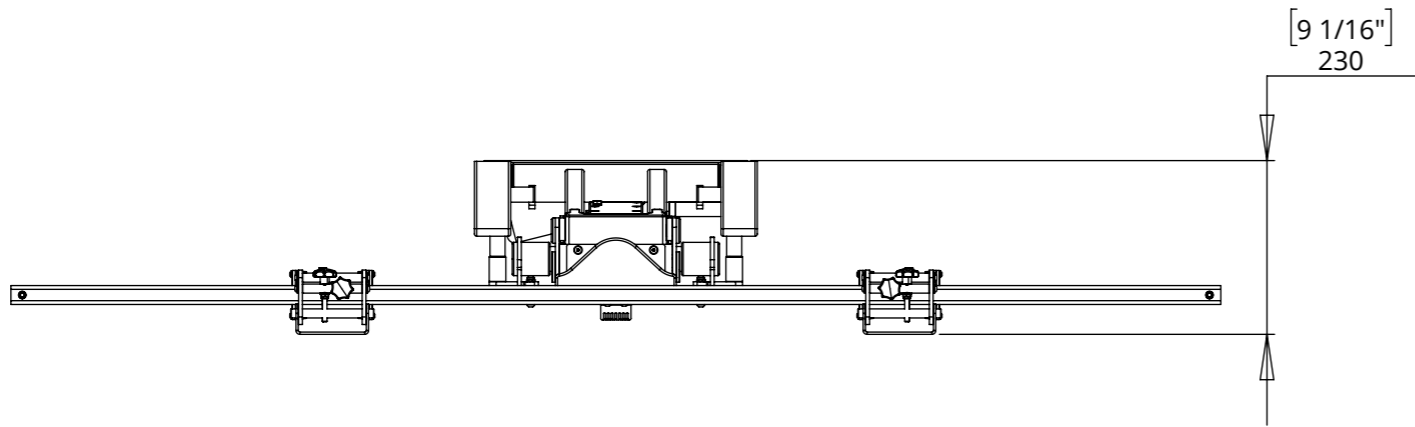
# EAD100

## ELECTRIC ADVANCE & DROP BRACKET



future automation

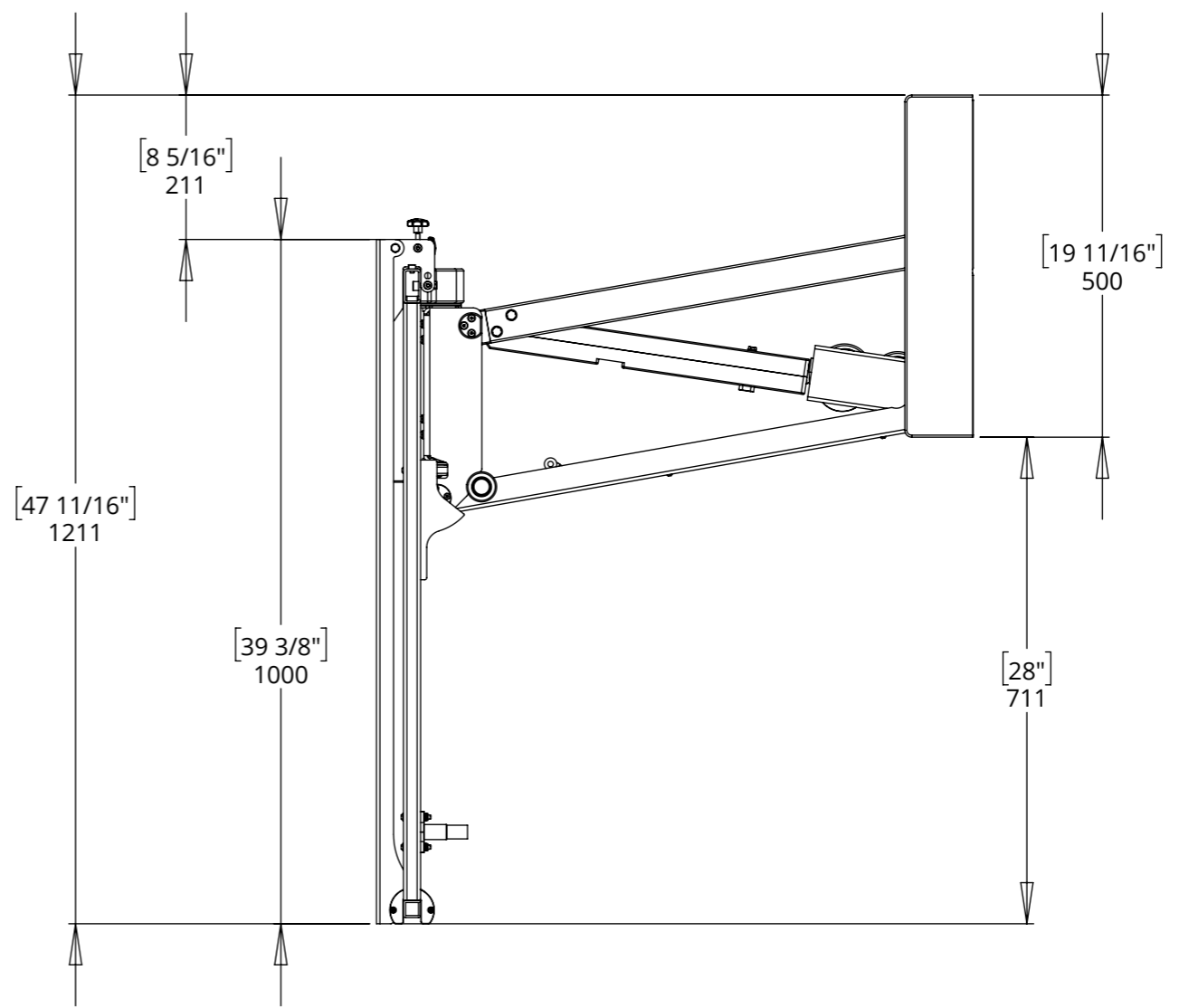
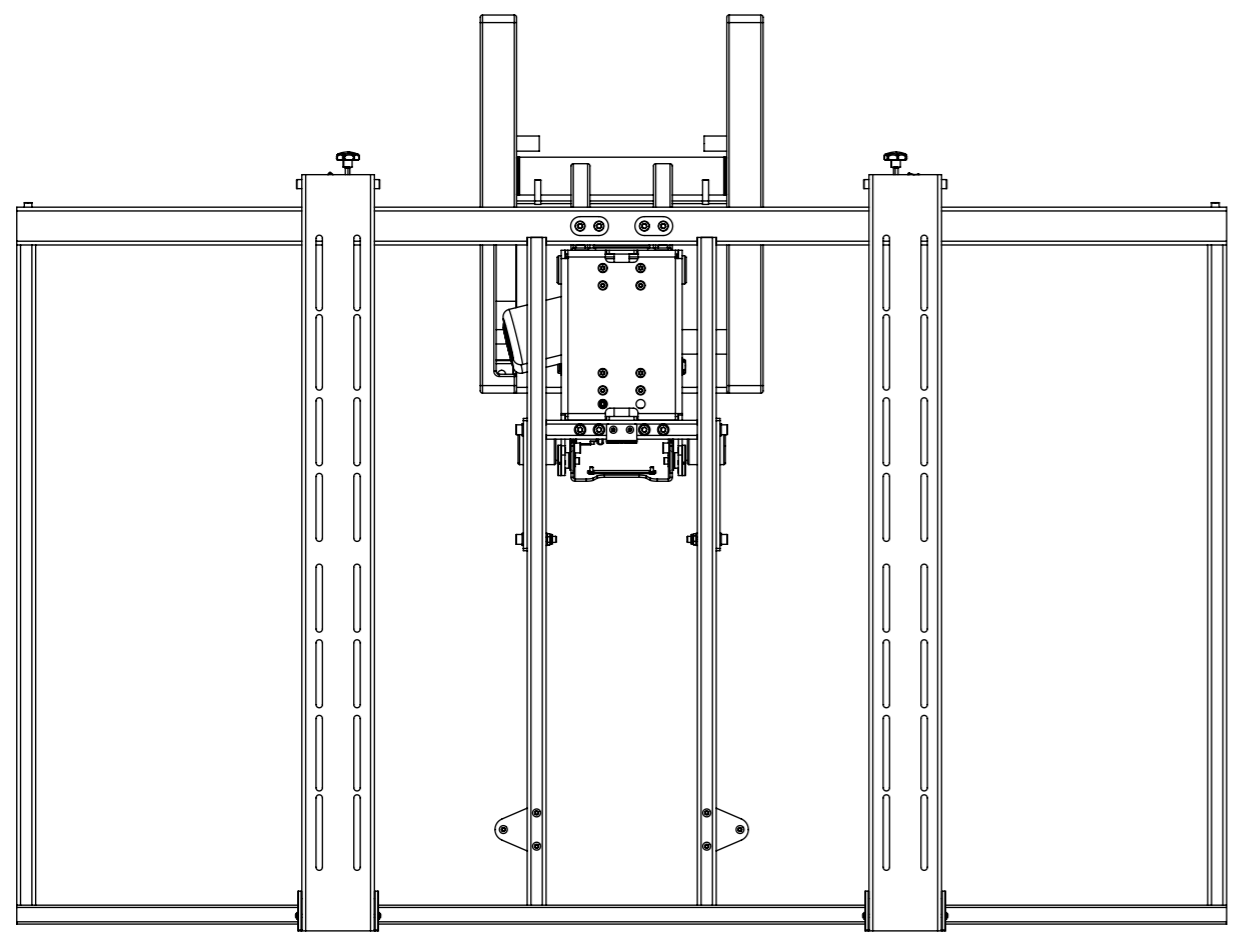
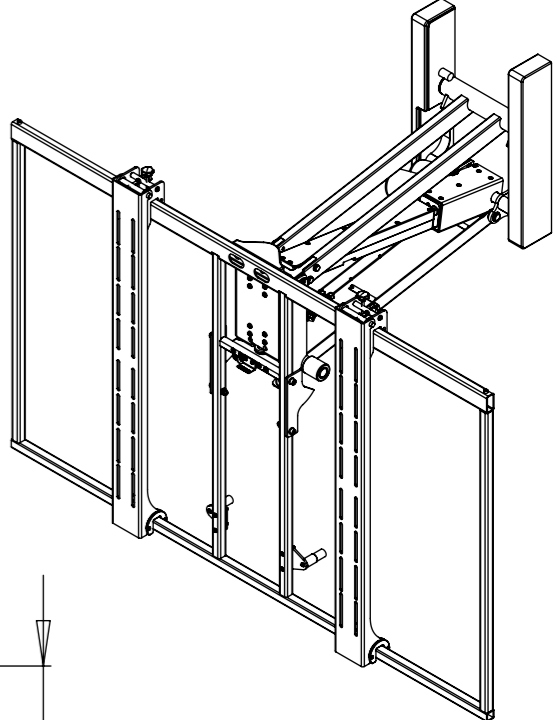
### UP POSITION DIMENSIONS



# EAD100

## ELECTRIC ADVANCE & DROP BRACKET

### DOWN POSITION DIMENSIONS



# EAD100

## ELECTRIC ADVANCE & DROP BRACKET

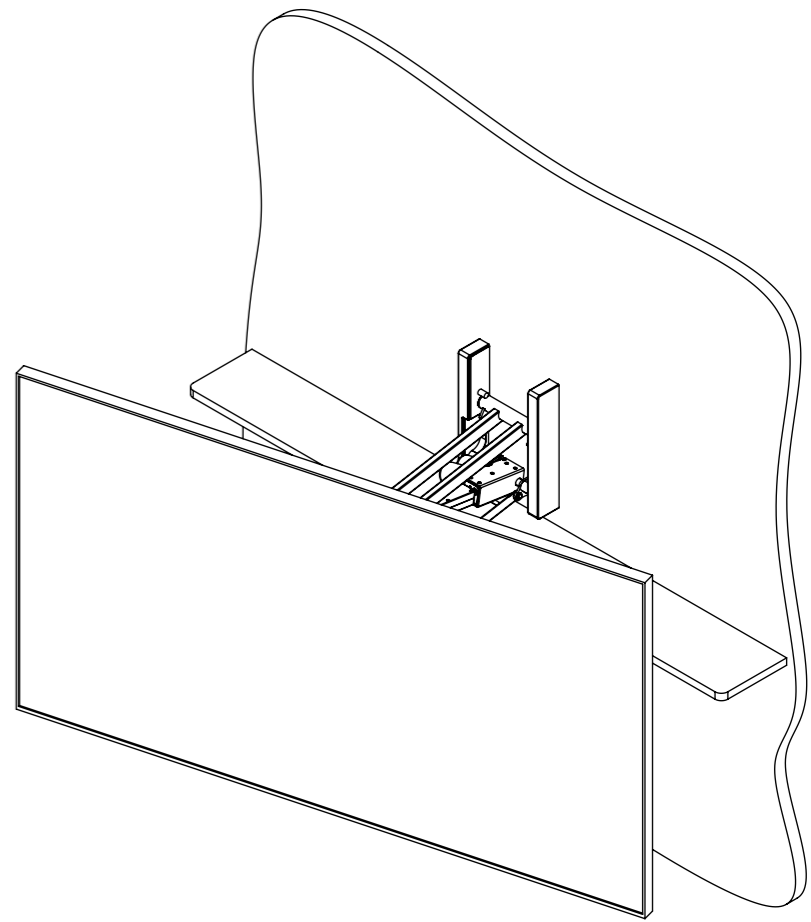
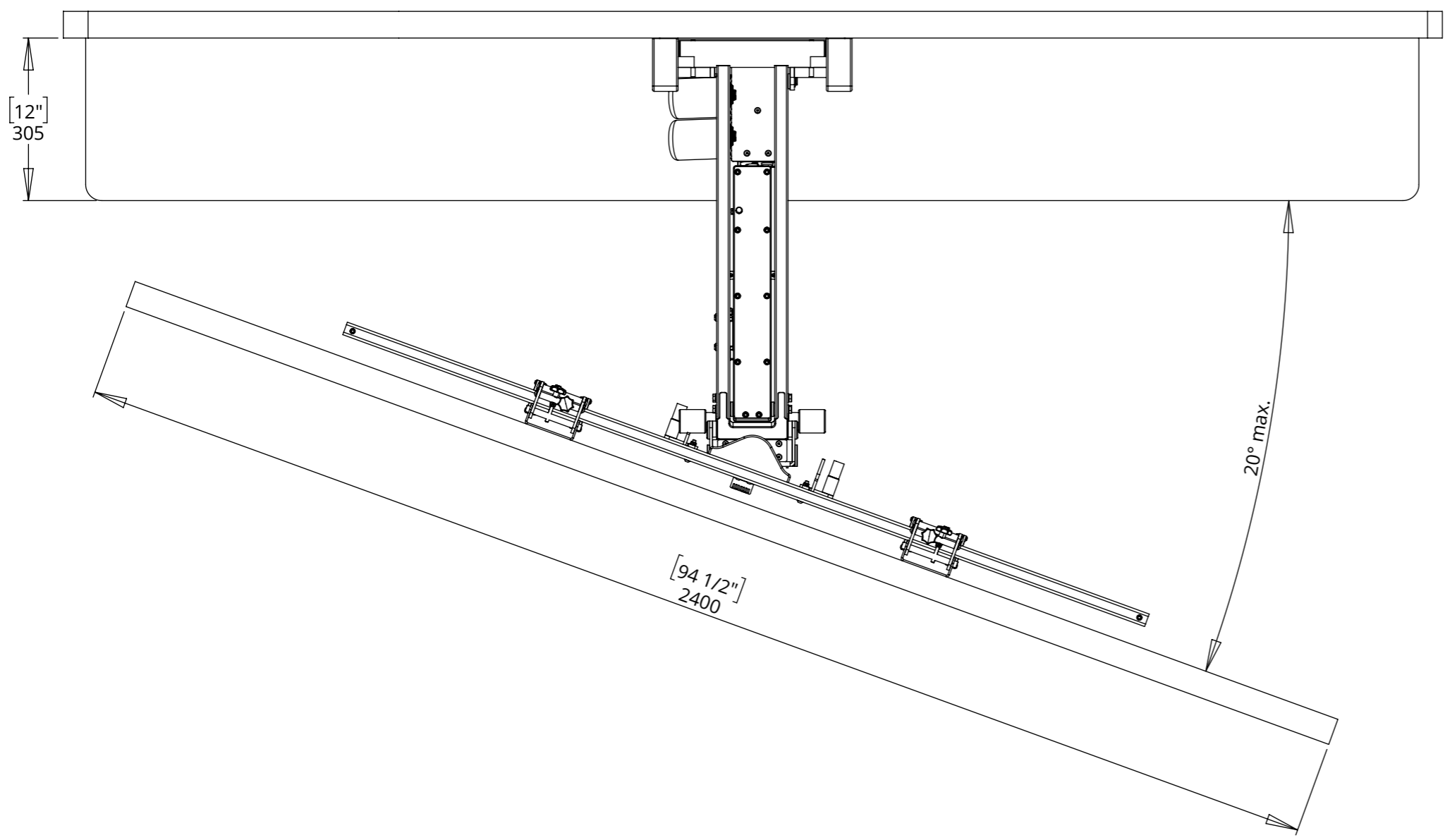
### SWIVEL DIMENSIONS

The EAD100 features a MANUAL swivel that allows the screen to be rotated up to a maximum 20° Left & Right.

This Swivel angle will self-centre when the EAD100 is closed.

**NOTE: The maximum swivel angle is dependant on the screen width.  
Swivel angle will decrease when used with a deep mantle or recess.**

Example shown below with a 2400mm [94 1/2"] Wide screen over a 305mm [12"] Deep Mantle.



# EAD100

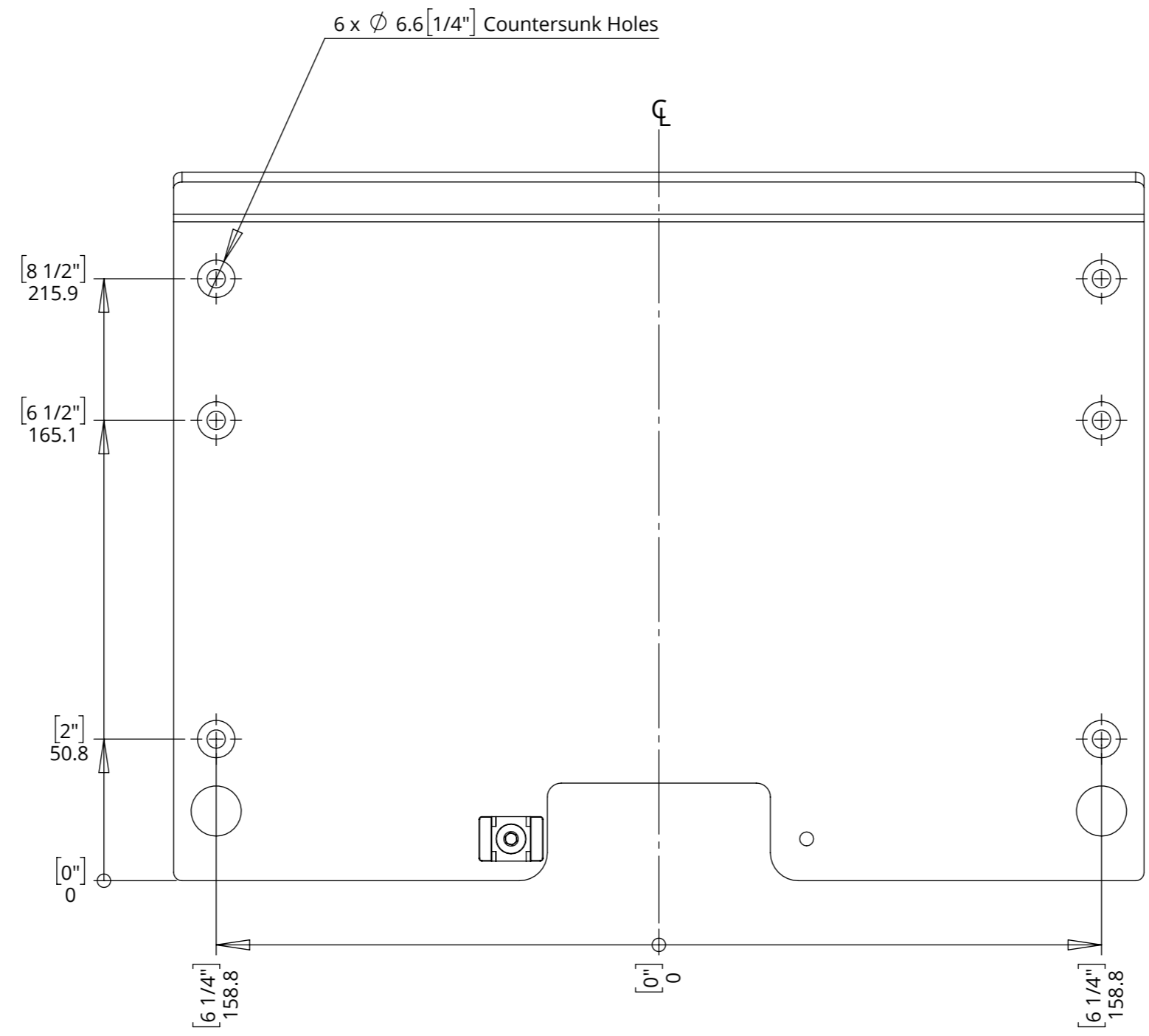
## ELECTRIC ADVANCE & DROP BRACKET



### WALL FIXING DIMENSIONS - STEP ONE

For installation guidance please refer to the Instruction Documentation.

An Installation Wall Plate is provided to hook the mechanism onto, secure this using all 6 Countersunk fixing holes using appropriate fixings (not provided)



# EAD100

## ELECTRIC ADVANCE & DROP BRACKET



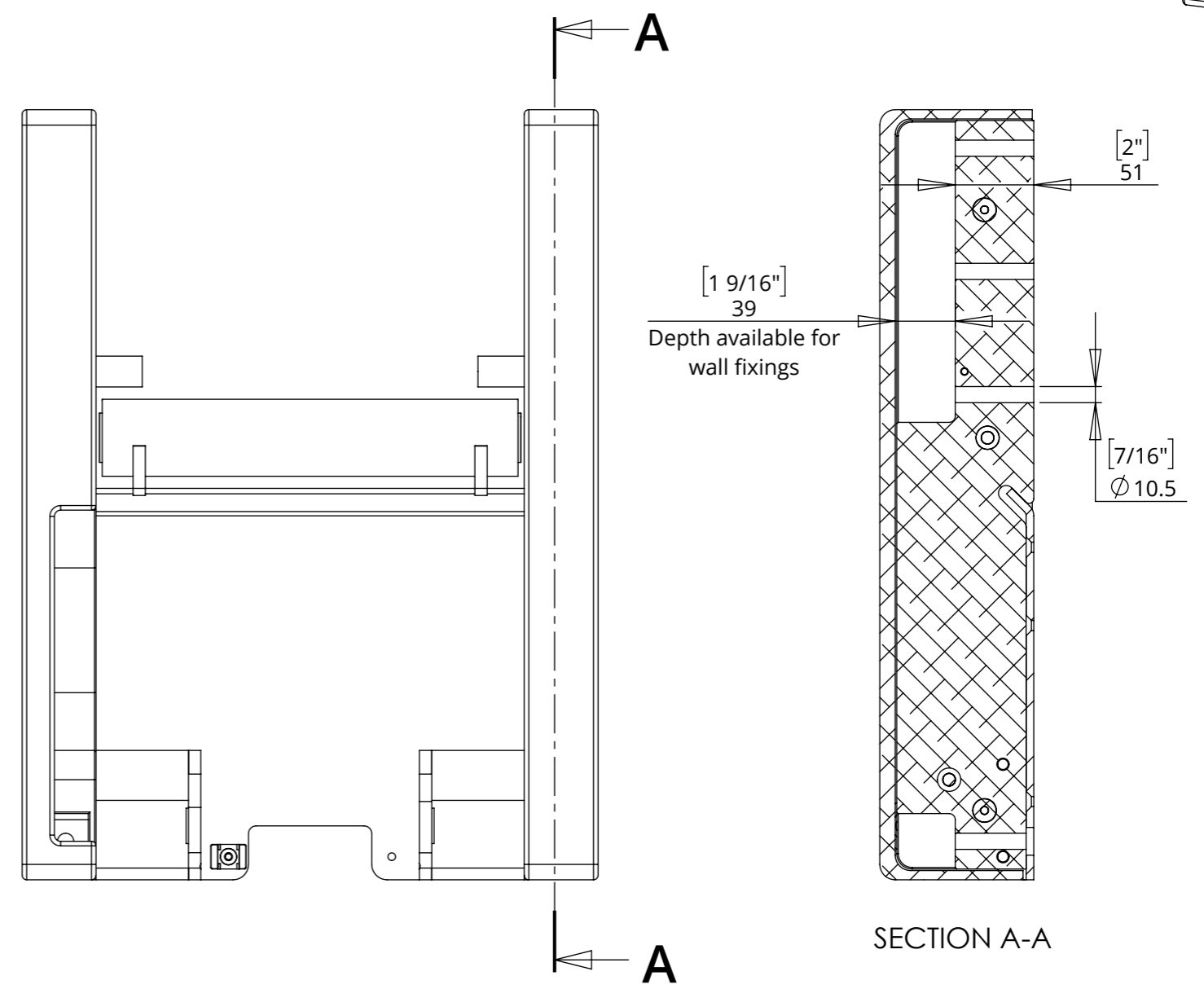
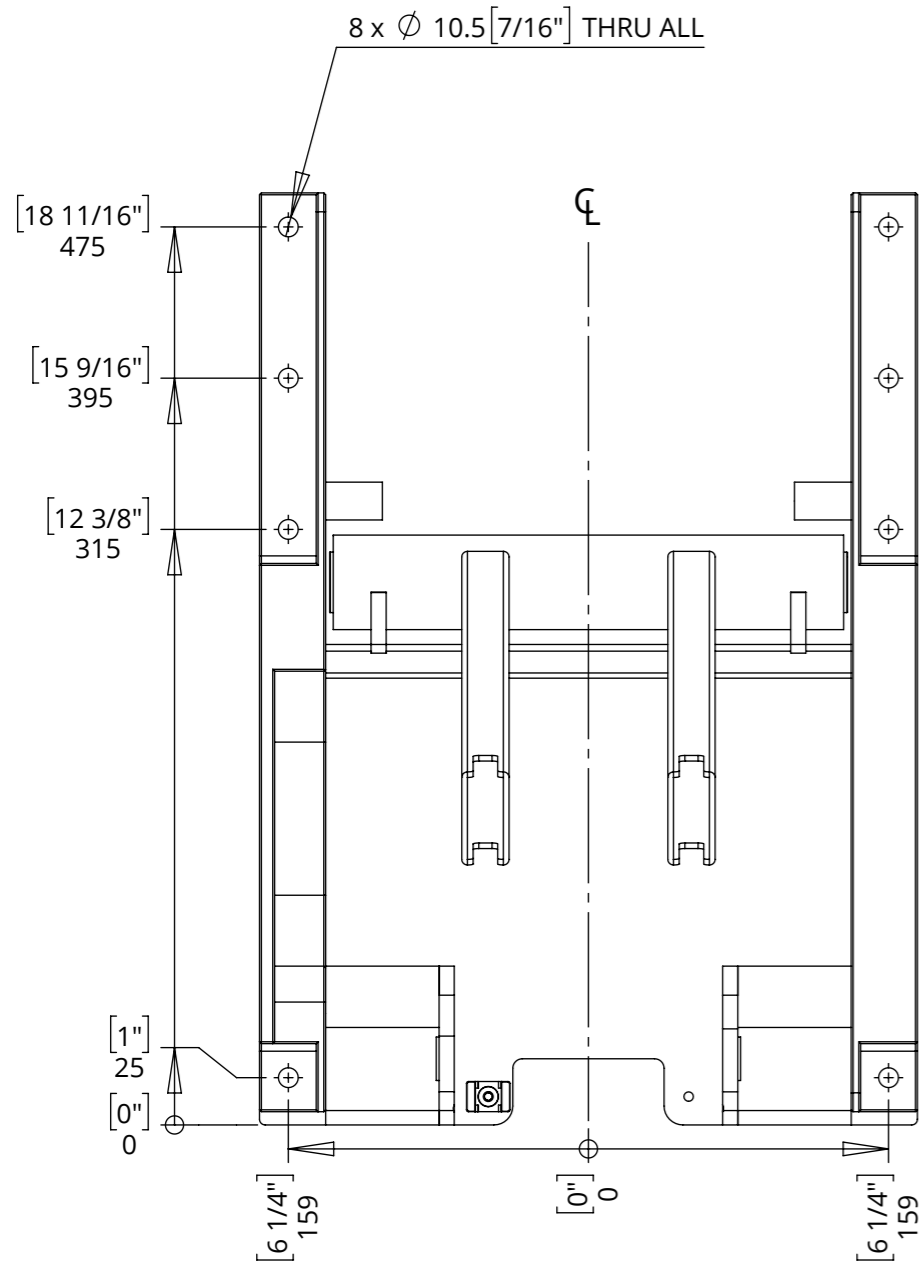
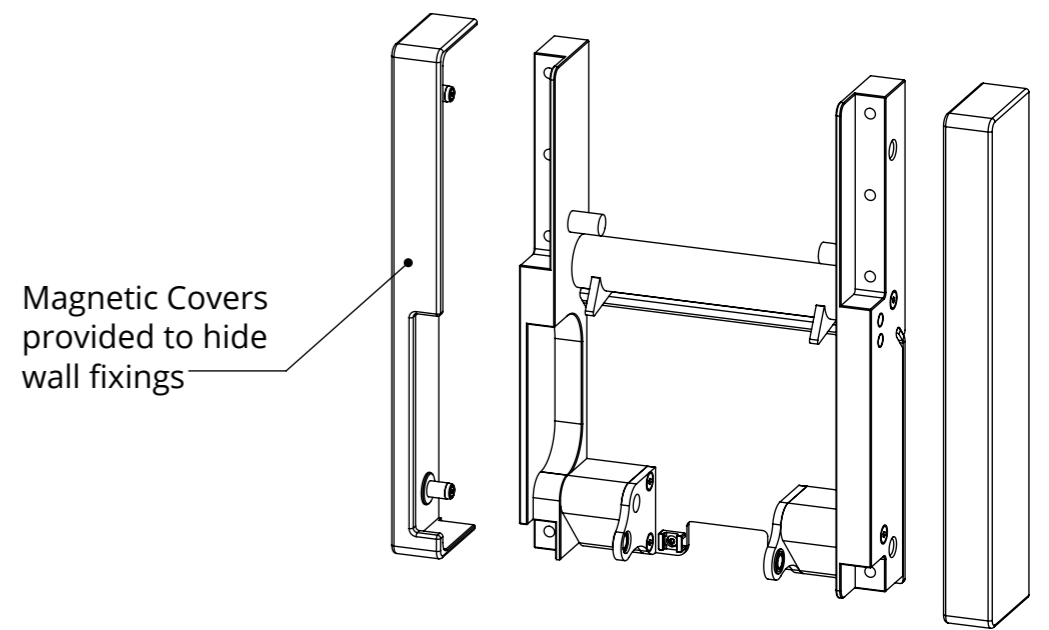
future automation

### WALL FIXING DIMENSIONS - STEP TWO

For installation guidance please refer to the Instruction Documentation.

Once the mechanism is hooked onto the Installation Wall Plate it can be secured through **ALL 8** holes in the two large wall billets using suitable load bearing fixings (not provided).

Magnetic Covers are provided to hide wall fixings after installation.



# EAD100

## ELECTRIC ADVANCE & DROP BRACKET

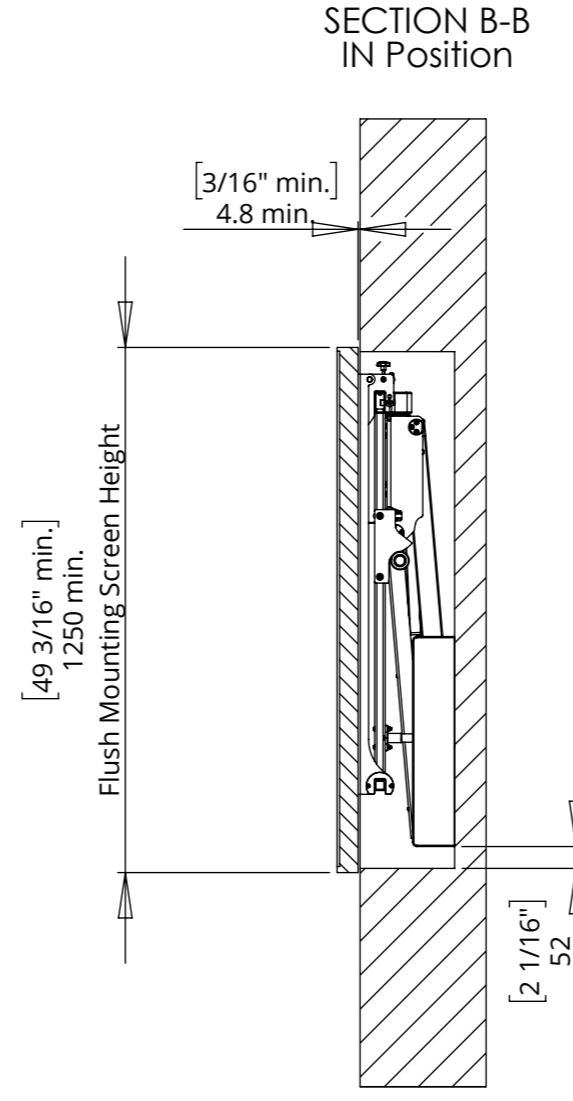
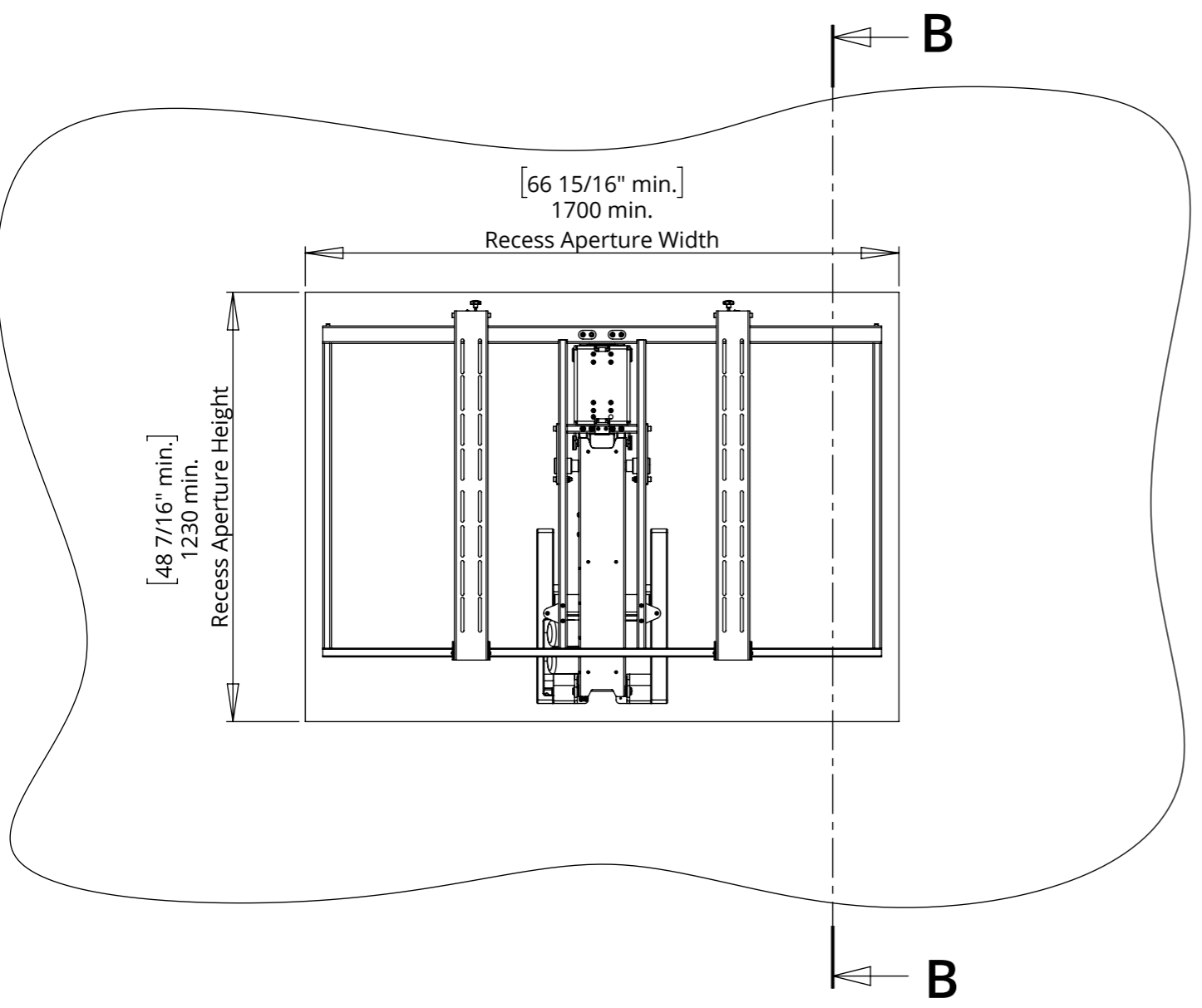


future automation

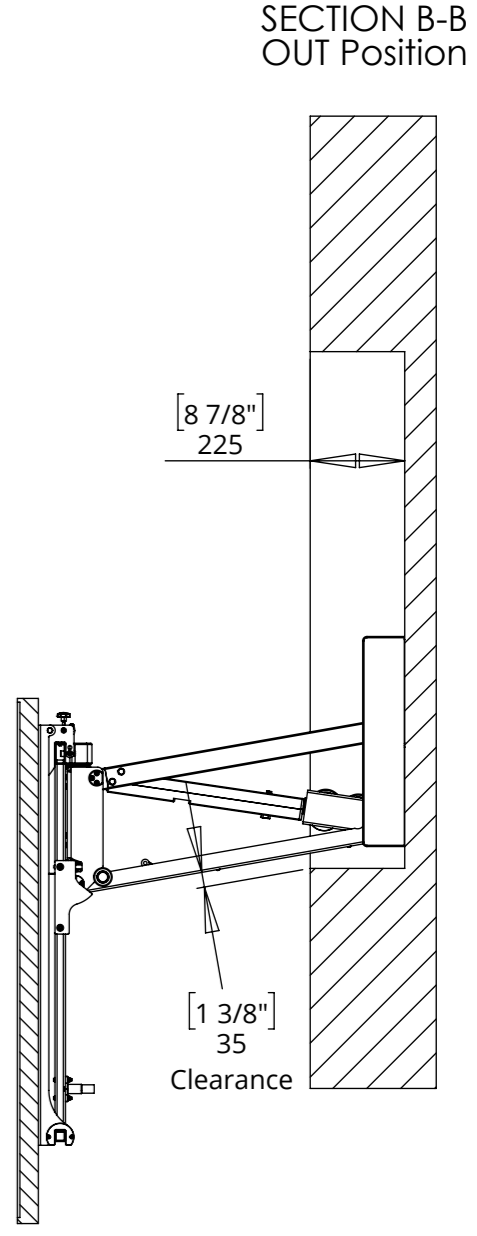
### FLUSH RECESS MOUNTING

In order to mount a screen flush on the wall on the EAD100, a recess depth of 225mm [8 7/8"] & screen height of minimum 1250mm [49 3/16"] is required.

It is recommended the recess depth is greater than mechanism depth to allow for switch adjustment to minimise gap behind screen



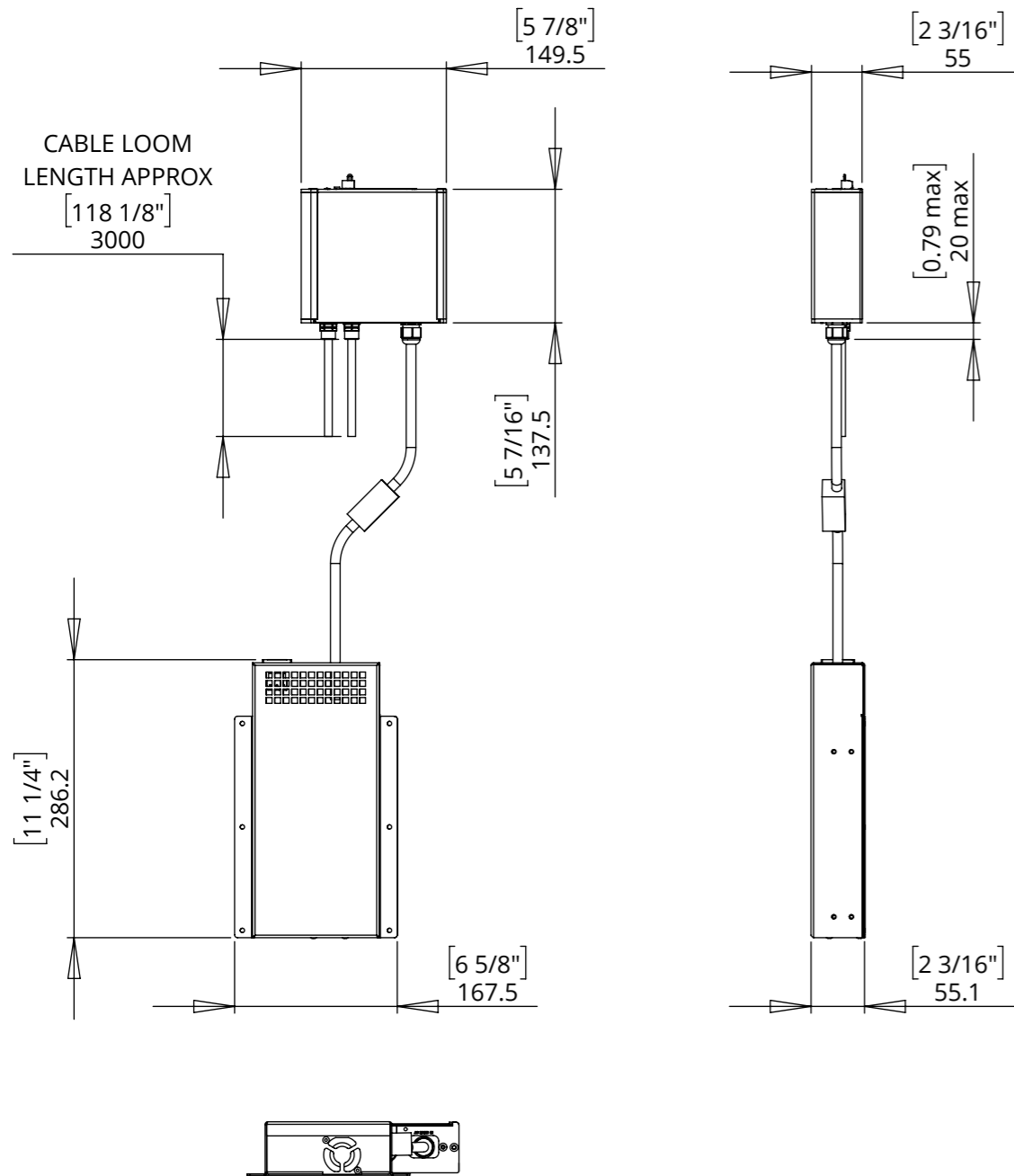
Recess depth considered as a mantle to calculate wall plate height positioning. See Sheet 4



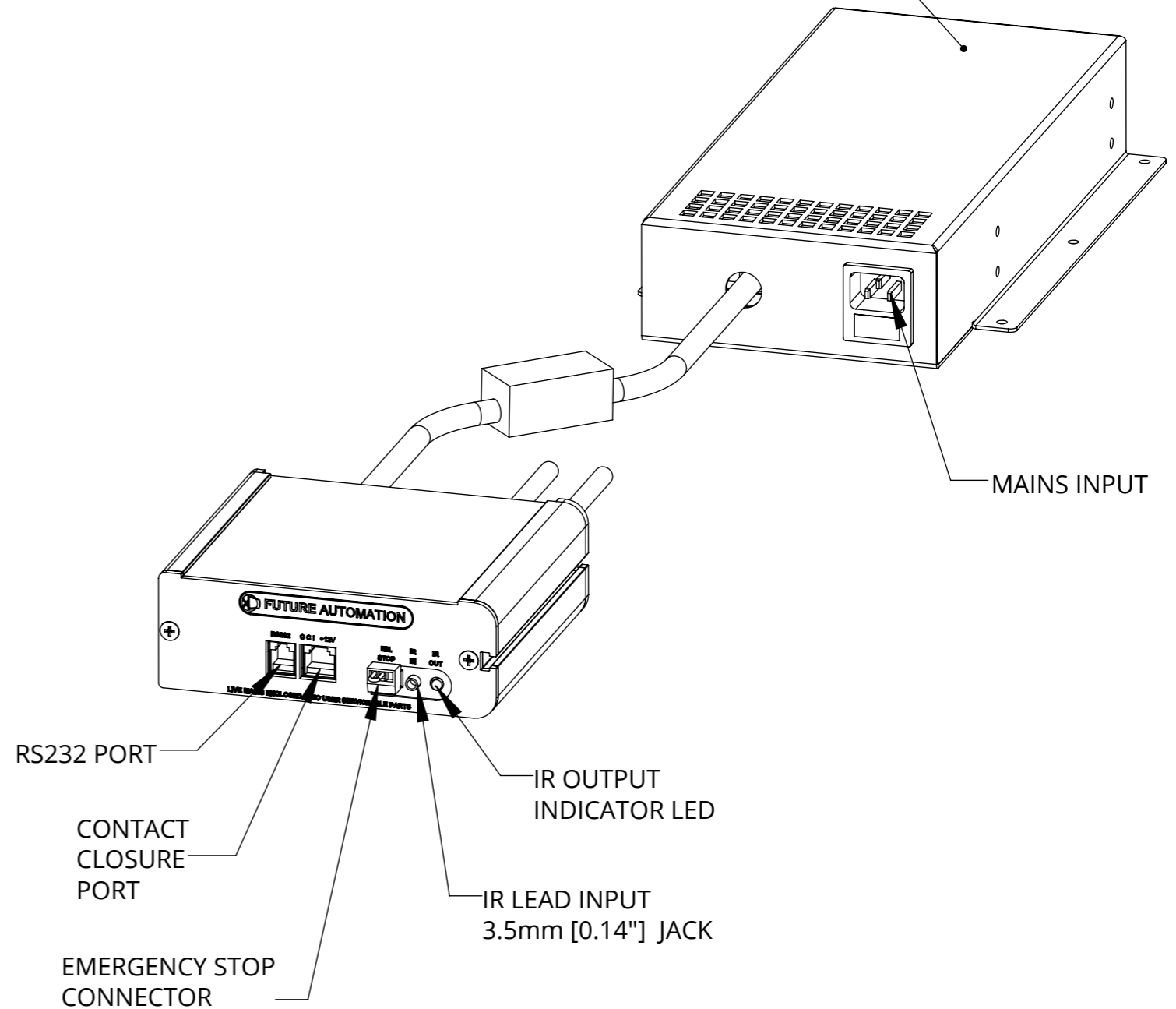
# EAD100 ELECTRIC ADVANCE & DROP BRACKET

## CONTROL BOX

The mechanism Control box must be located in an easily accessible location.



POWER SUPPLY UNIT  
INPUT = 110V (6A) OR 240V (3A) AC MAINS  
OUTPUT = 24V DC, 21A



### NOTES

- POWER SUPPLY UNIT (PSU) WILL ALLOW 110V OR 240V AC INPUT. THE SAME PSU IS USED FOR EU OR US MAINS SUPPLIES.
- OTHER THAN CONTROL CABLES, ALL CABLES TERMINATE AT CONTROL BOARD VIA STANDARD PHOENIX CONNECTORS.
- CABLE LOOM LENGTH SUPPLIED AT APPROX. 3m [118"]. LOOM CAN BE EXTENDED UP TO MAXIMUM OF APPROX. 10m [400"].
- MINIMUM CABLE BEND RADIUS 25mm [1"].