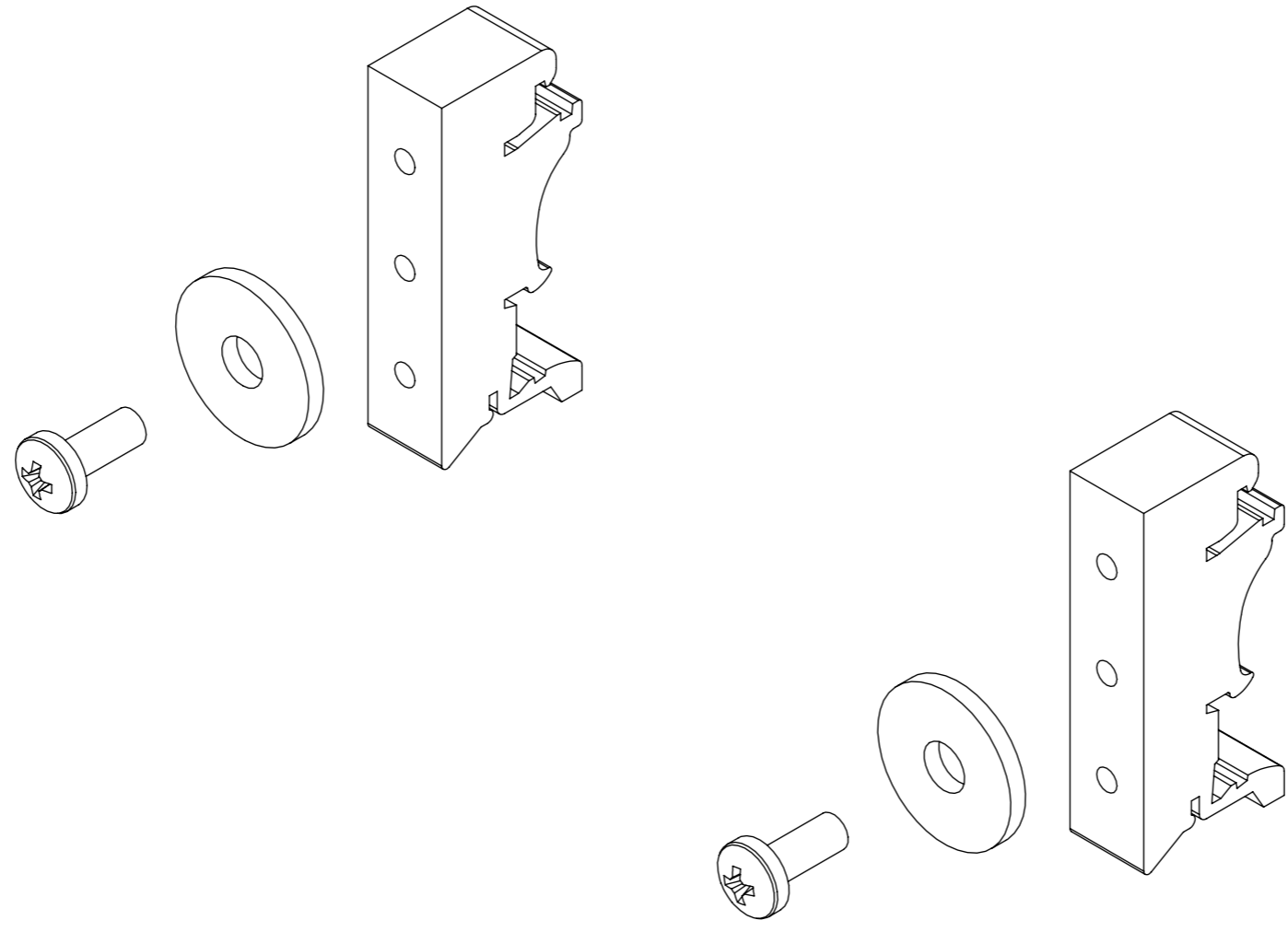


EE-MMK

ELECTRICAL ENCLOSURE - MODULE MOUNT KIT



future automation



EE-MMK

ELECTRICAL ENCLOSURE - MODULE MOUNT KIT



future automation

SPECIFICATION	MEASUREMENTS
Kit Contents	2 Rail Adapters, 2 Washers, 2 Fixing Screws

EE-MMK

ELECTRICAL ENCLOSURE - MODULE MOUNT KIT



future automation

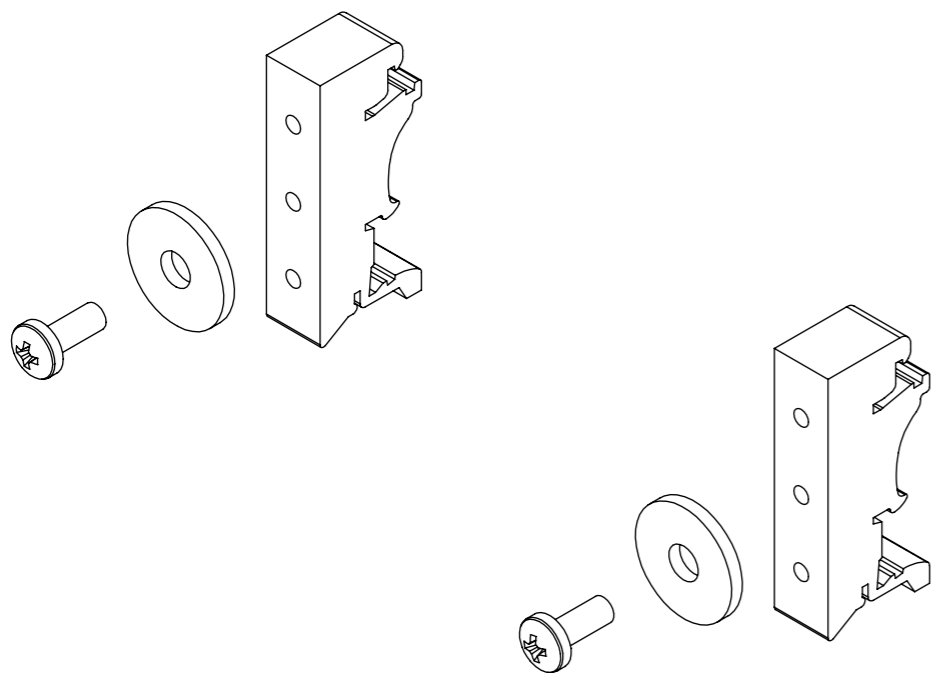
PRODUCT OVERVIEW

Allows simple and easy mounting of surface mounted modules onto DIN rail within Future Automation electrical enclosures

Suitable for Lutron Processors, DMX and I/O modules

KIT CONTENTS:

- 2 x RAIL ADAPTERS
- 2 x WASHERS
- 2 x FIXING SCREWS



INSTALLATION EXAMPLE

