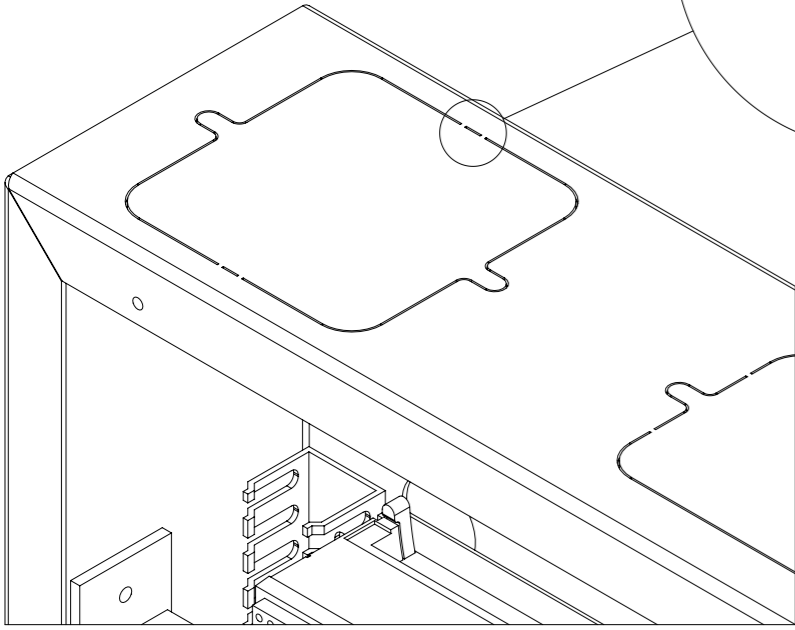
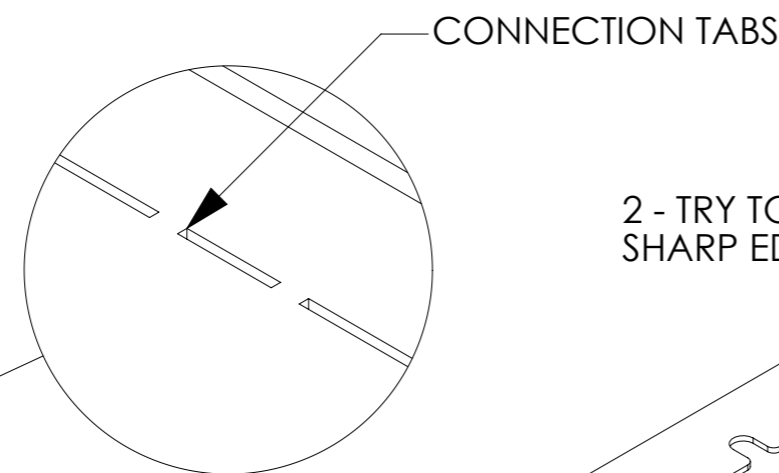
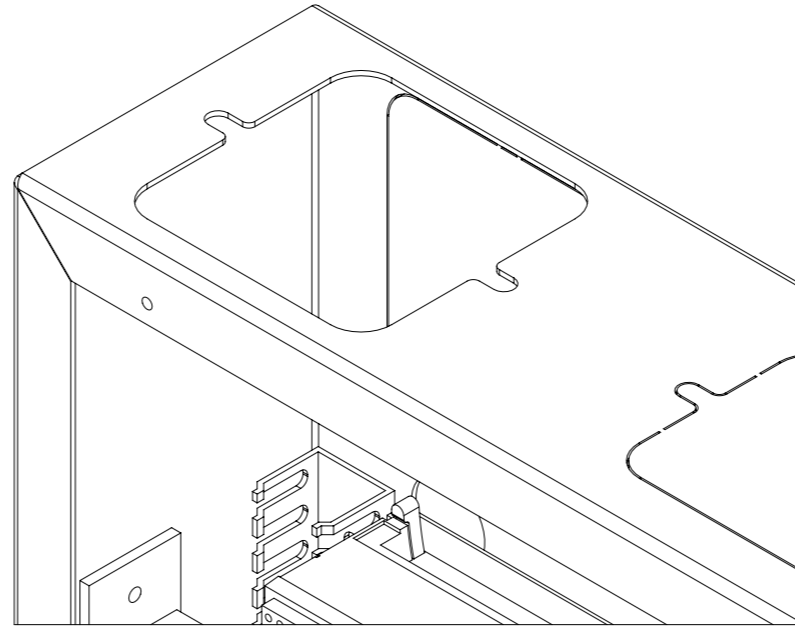


## CABLE HOLE EDGING

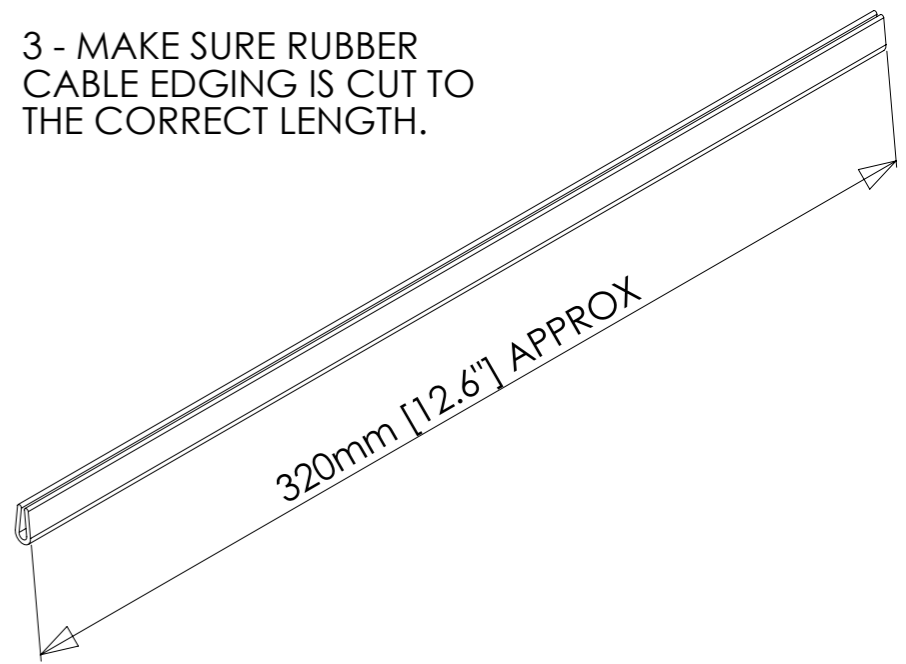
1 - REMOVE THE SHEET METAL COVER PLATE BY TWISTING IT AND BREAKING THE CONNECTION TABS.



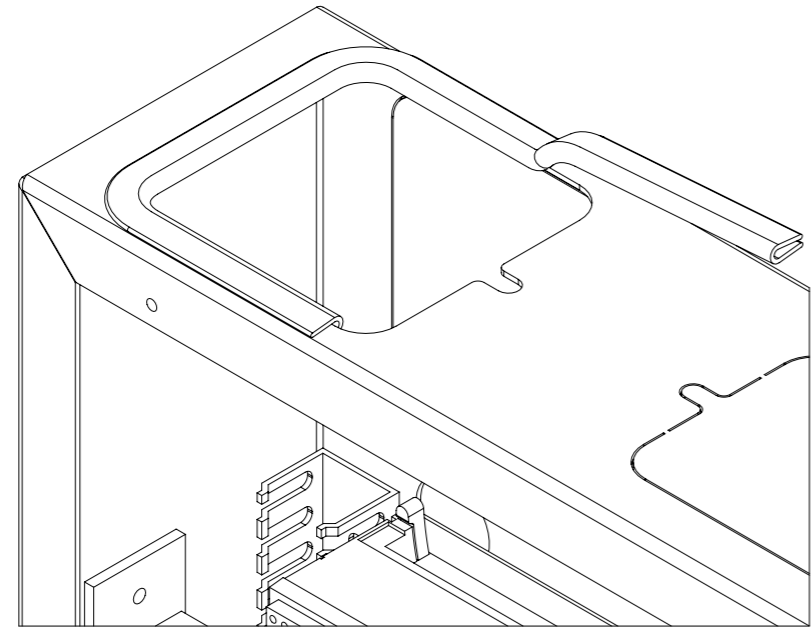
2 - TRY TO GET RID OF ANY SHARP EDGES OR BURRS.



3 - MAKE SURE RUBBER CABLE EDGING IS CUT TO THE CORRECT LENGTH.



4 - WRAP THE RUBBER EDGING AROUND THE CABLE ENTRY HOLES TO PROTECT CABLES FROM RUBBING ON SHARP EDGES.



5 - BUTT EDGING END TO END TO GET A NEAT FINISH.

