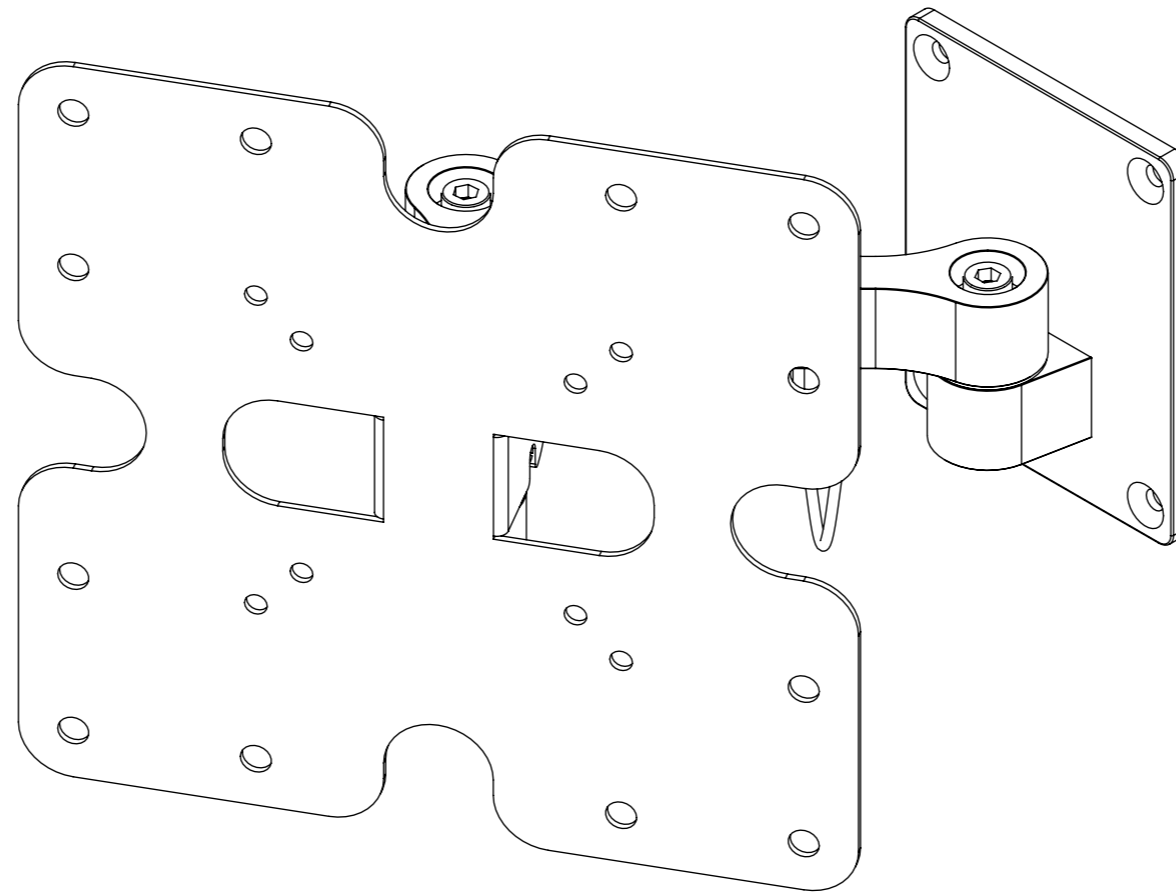


FSA1

FLAT SCREEN ALUMINIUM



future automation



FSA1

FLAT SCREEN ALUMINIUM



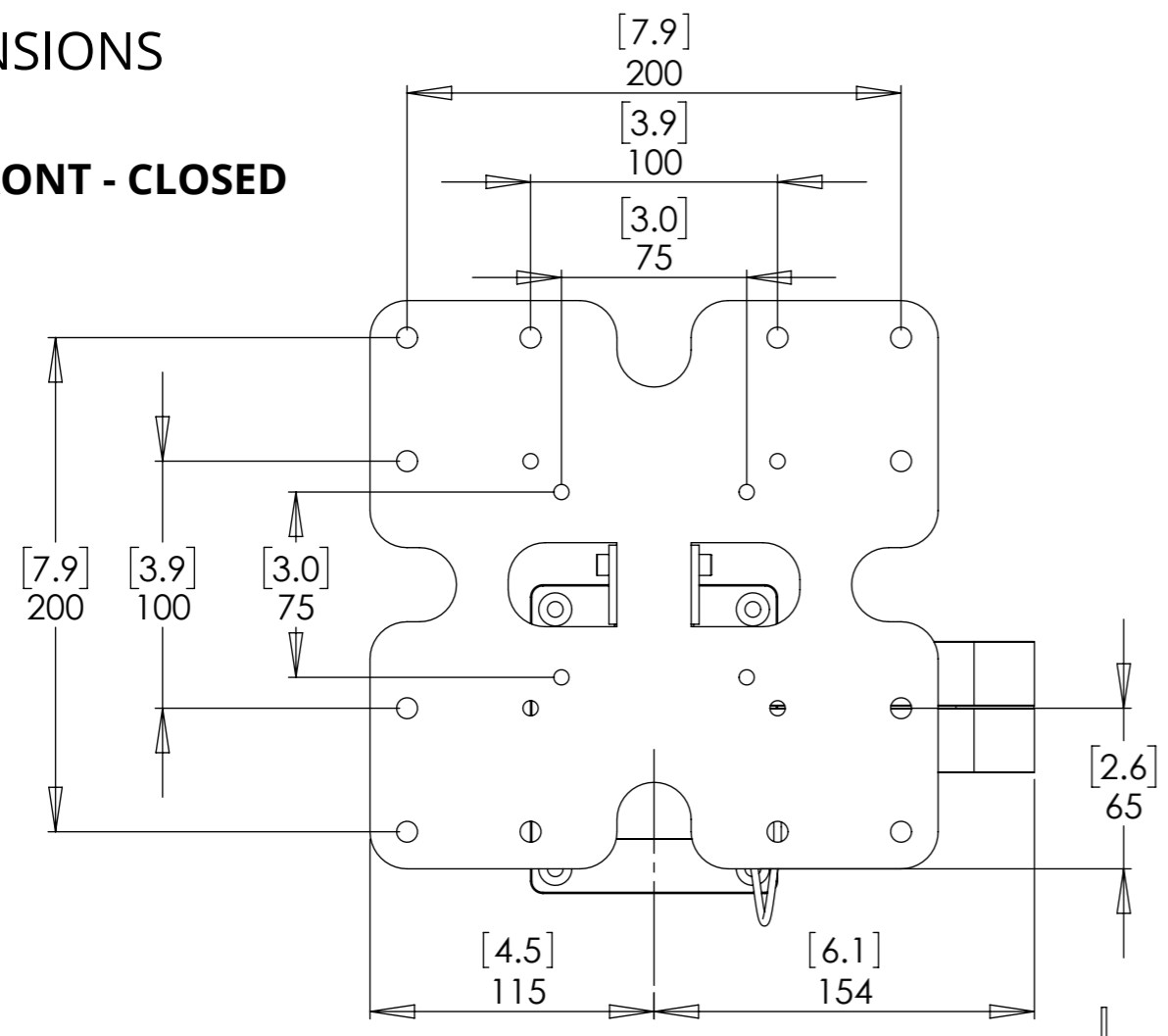
SPECIFICATION	MEASUREMENTS
Screen Sizes	15" - 26"
Maximum Weight Capacity	10Kg (22lb)
Maximum Extension From Wall	329mm (13.0")
Depth From Wall	53mm (2.1")
Packaging Dimensions	260 x 210 x 130mm (10.23 x 8.26 x 5.11")
Shipping Weight	2Kg (4lb)
Maximum Rotation	180° - Bi-directional
Movement Type	Manual
Mounting Patterns Supported	VESA 200, 100, 75 W x 200, 100, 75 H
Product Options / Features	Specific Loewe mounts / adapters
Package Contents	Mechanism
Marine Suitable	No

FSA1 FLAT SCREEN ALUMINIUM

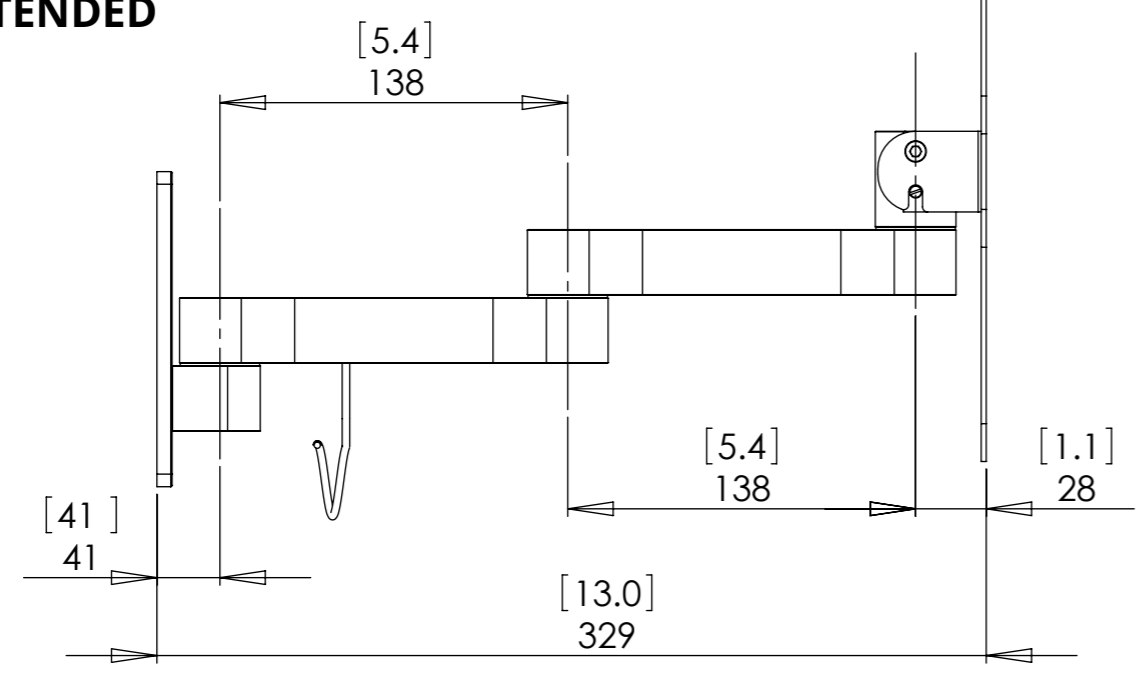


DIMENSIONS

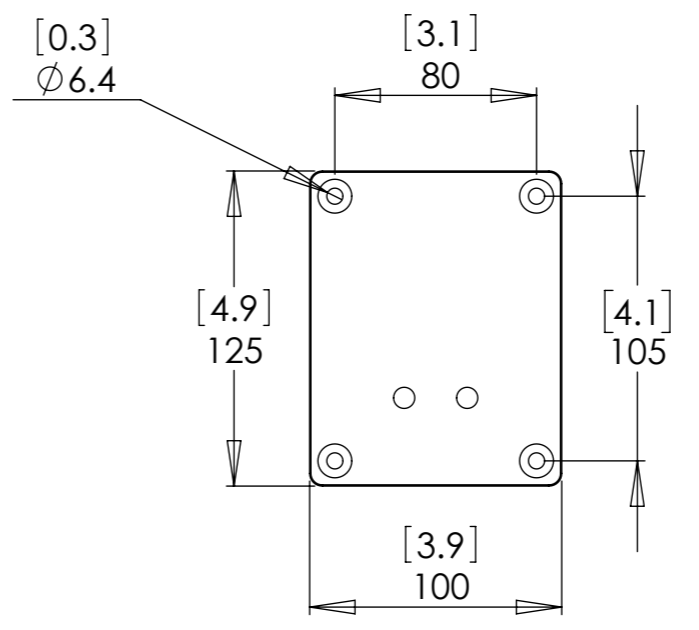
FRONT - CLOSED



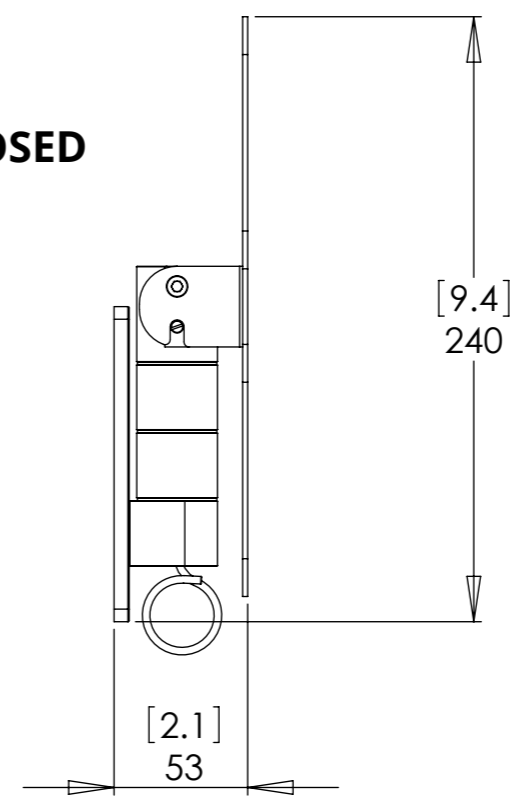
SIDE - EXTENDED



WALL PLATE

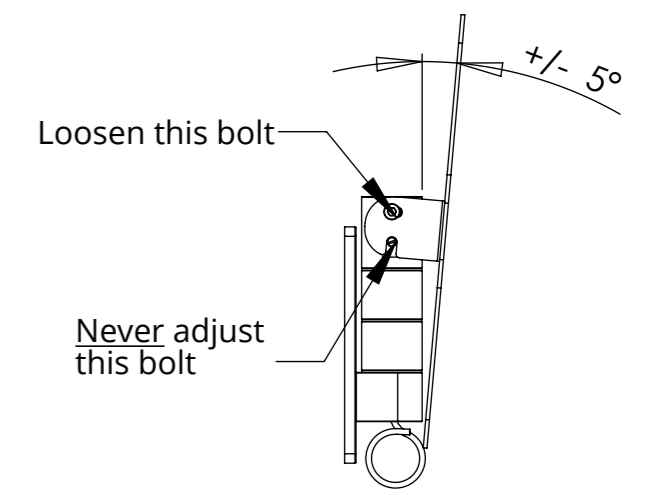


SIDE - CLOSED



TILT OPTION

When altering the degree of tilt, loosen the top bolt of the mount plate so it is free to move. Once the desired angle is found tighten the bolt back up.



TECHNICAL SHEET