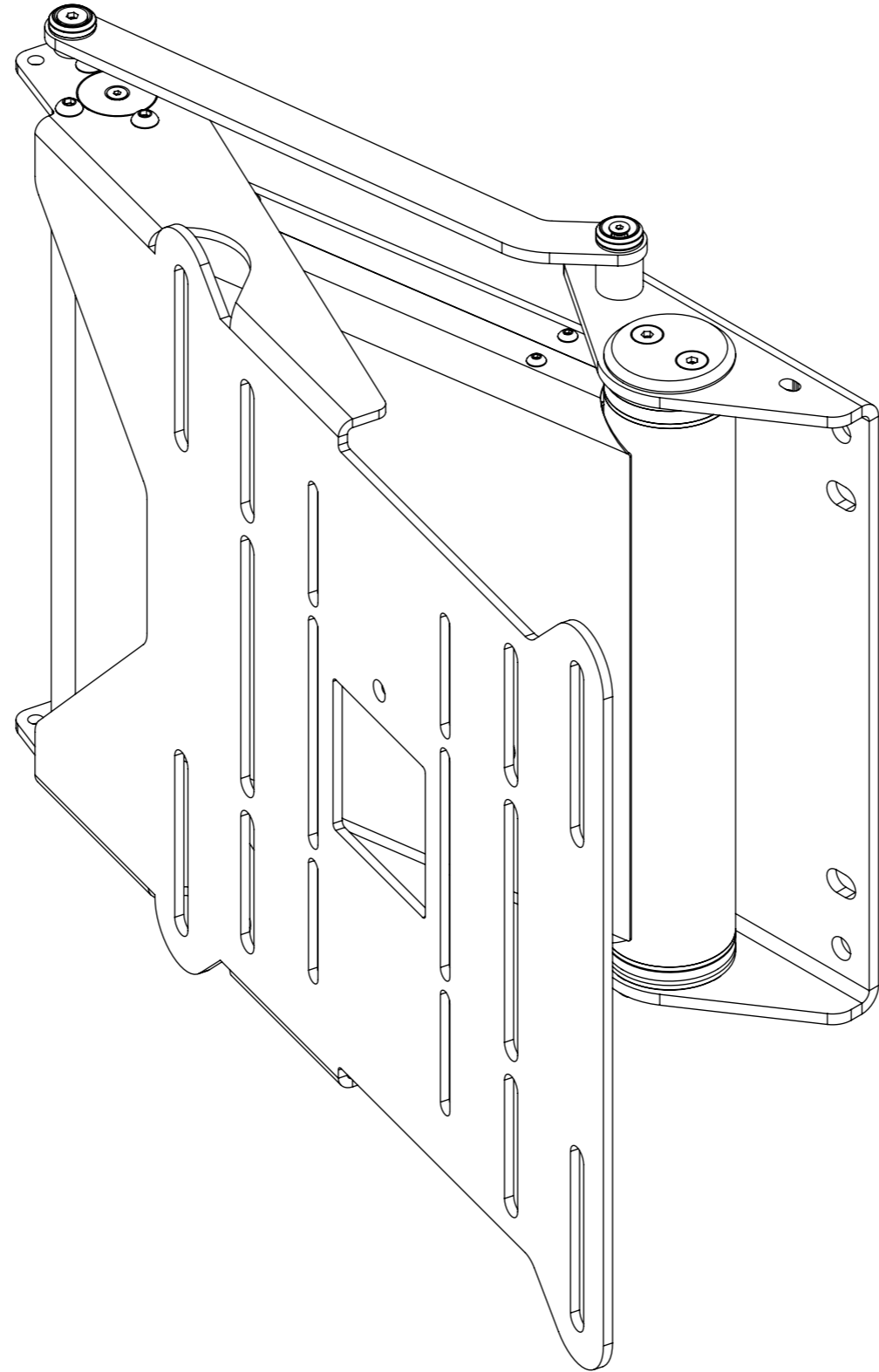


# FSE90

## ELECTRIC WALL BRACKET



future automation



# FSE90

## ELECTRIC WALL BRACKET



future automation

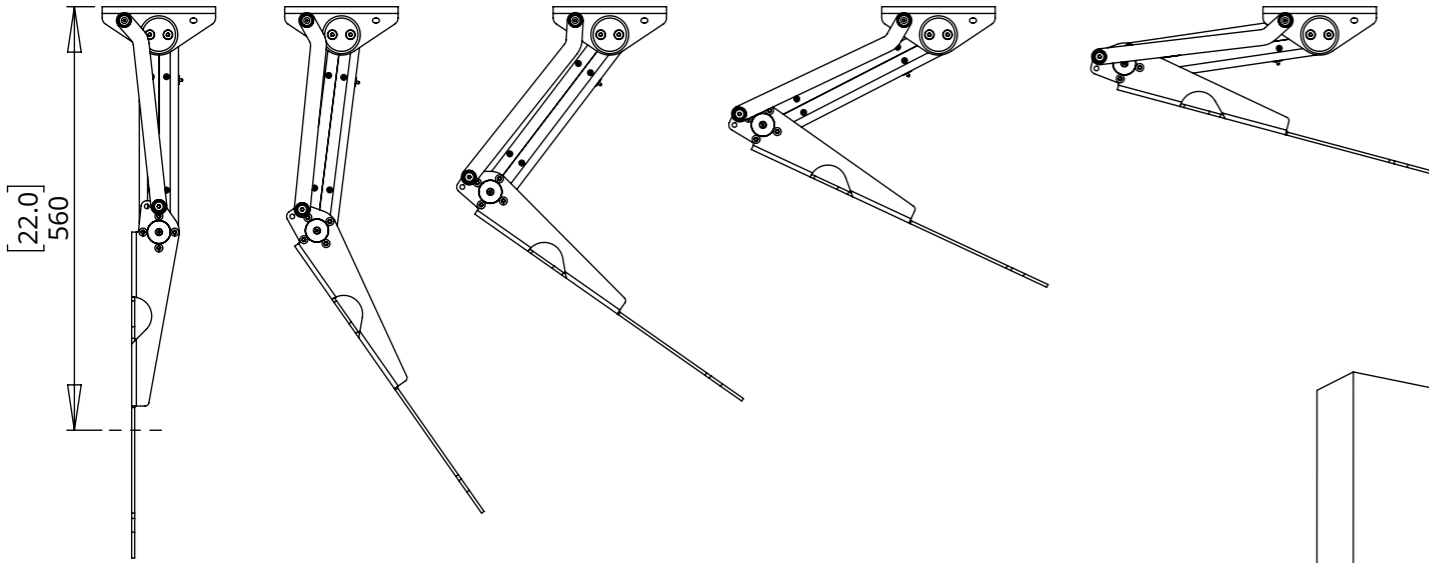
SPECIFICATION	MEASUREMENTS
Product Dimensions	476mm (18.7") x 328mm (12.9") x 73mm (2.9")
Maximum Screen Size	1020mm (40.2") W @ 90° - 1240mm (48.8") W @ 60° - 1380mm (54.3") W @ 45° - 1430mm (56.3") W @ 30°
Maximum Weight Capacity	30Kg (66lb)
Maximum Speed	25mm/s
Maximum Extension From Wall	560mm (22.1") to screen centre
Depth From Wall	73mm (2.9")
Product Weight	8Kg (18lb)
Packaging Dimensions	590mm (23.2") x 460mm (18.1") x 160mm (6.29")
Shipping Weight	11.5Kg (25lb)
Maximum Rotation	90° - one direction (CW or CCW)
Movement Type	Motorised
Power Supply Required	110V - 240V AC
Power Consumption Max.	120W
Power Consumption Standby	3W
Mounting Patterns Supported	VESA 300, 200, 100 W x 300, 200, 100 H
Control Options	IR Remote, RS232, Contact Closure
Product Options / Features	Specific B&O and Loewe mounts / adapters, Custom RAL paint finishes, Marine suitable version
Package Contents	Mechanism, IR remote control
Marine Suitable	No

# FSE90

## ELECTRIC WALL BRACKET

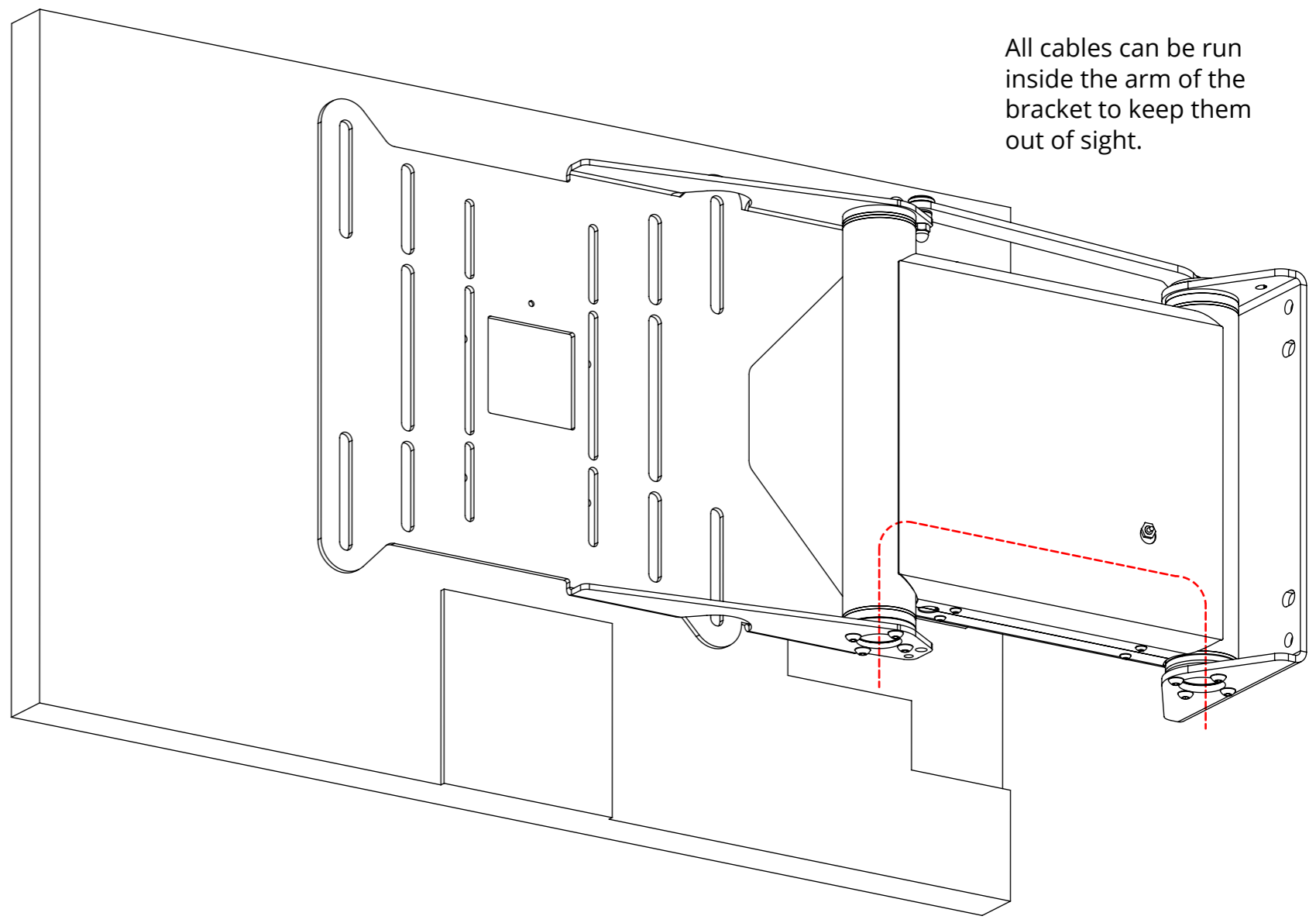


future automation



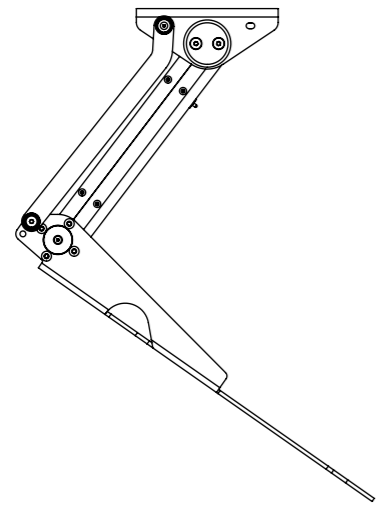
FSE90 has easily removable side covers.

All cables can be run inside the arm of the bracket to keep them out of sight.

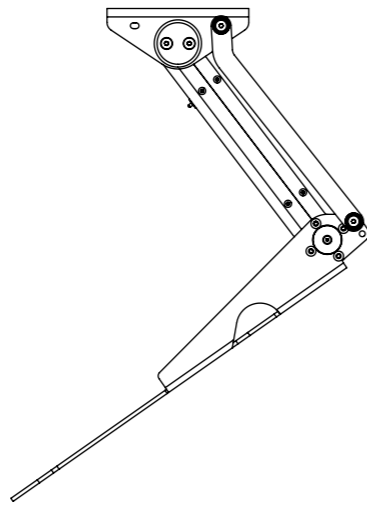


**Order Code  
FSE90-CW**

**Order Code  
FSE90-CCW**



**Clockwise  
movement**



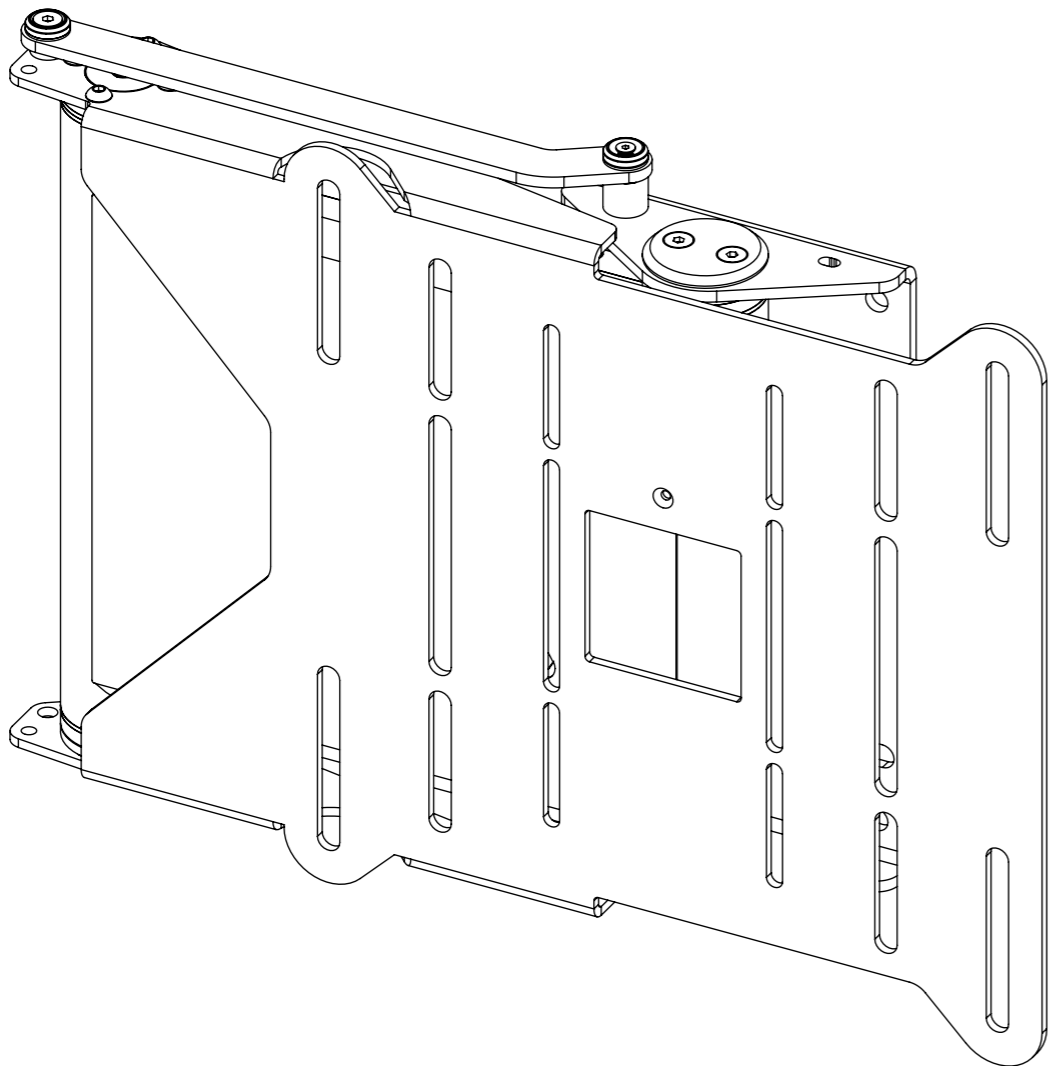
**Counter-Clockwise  
movement**

# FSE90 ELECTRIC WALL BRACKET



future automation

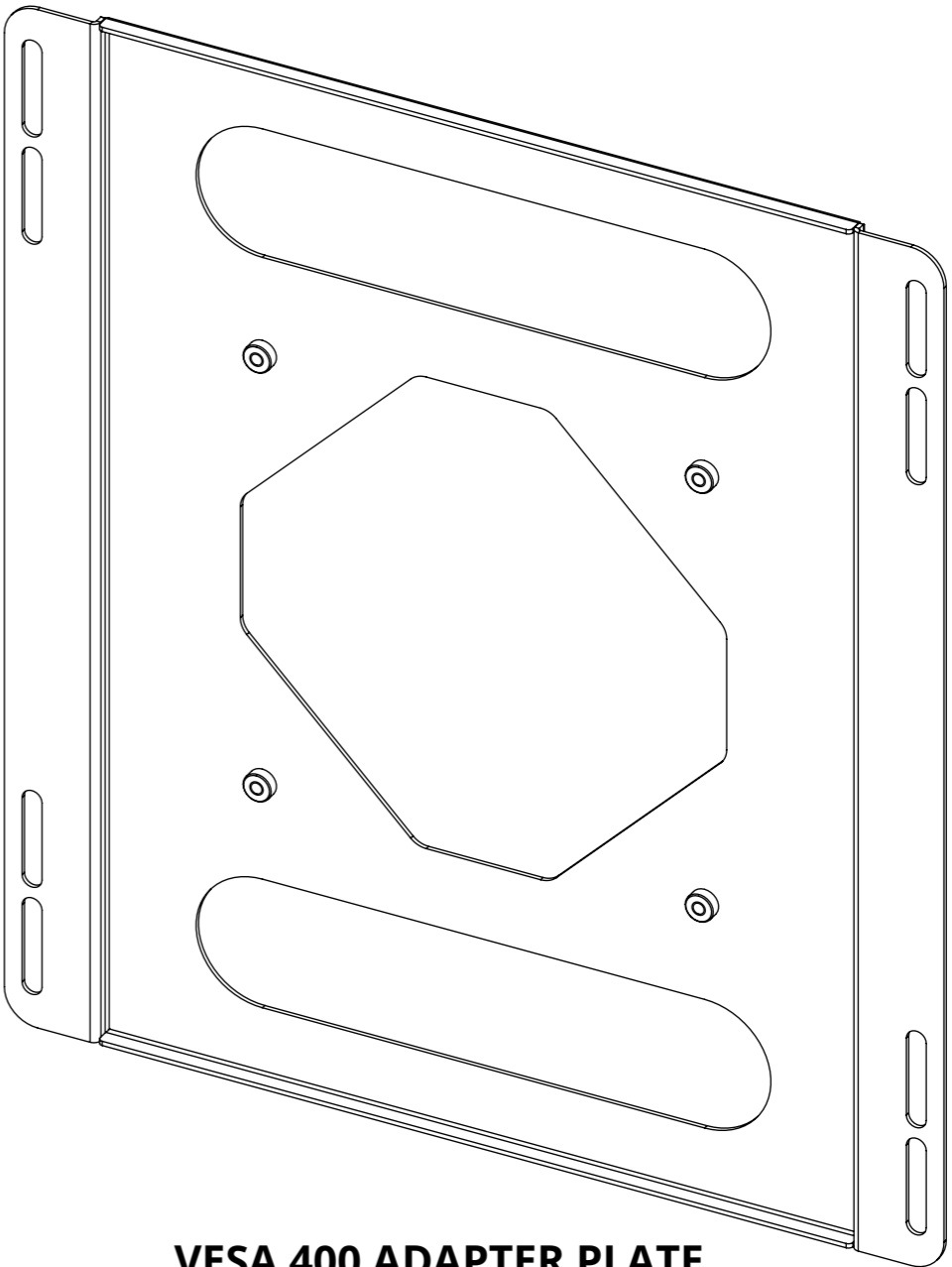
## SCREEN MOUNTING OPTIONS



### VESA 300 STANDARD

Standard FSE90 Mount is a Vesa 300 Mount Plate

Compatible with VESA patterns:  
300x300  
200x200  
200x100  
100x200  
100x100



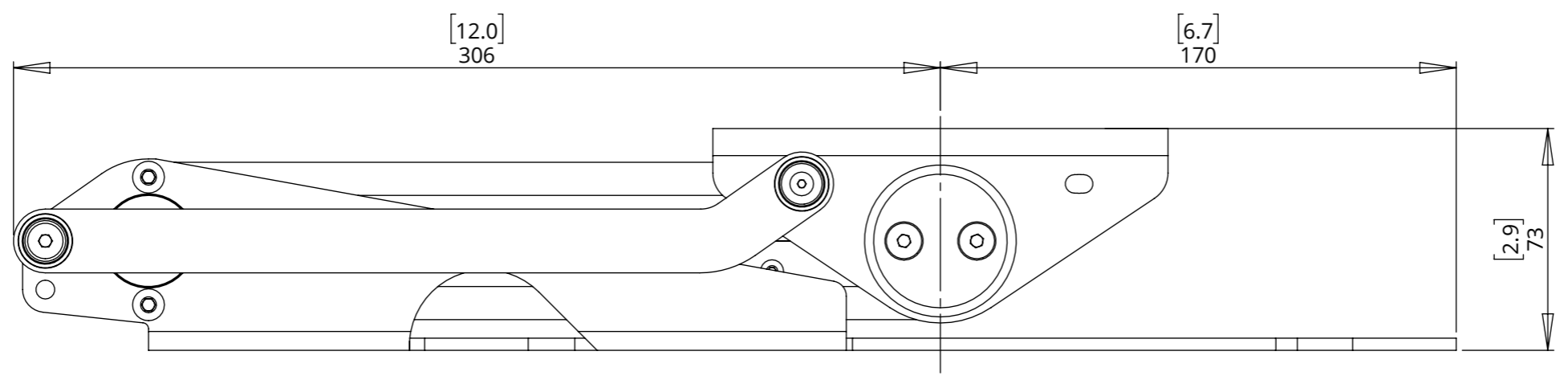
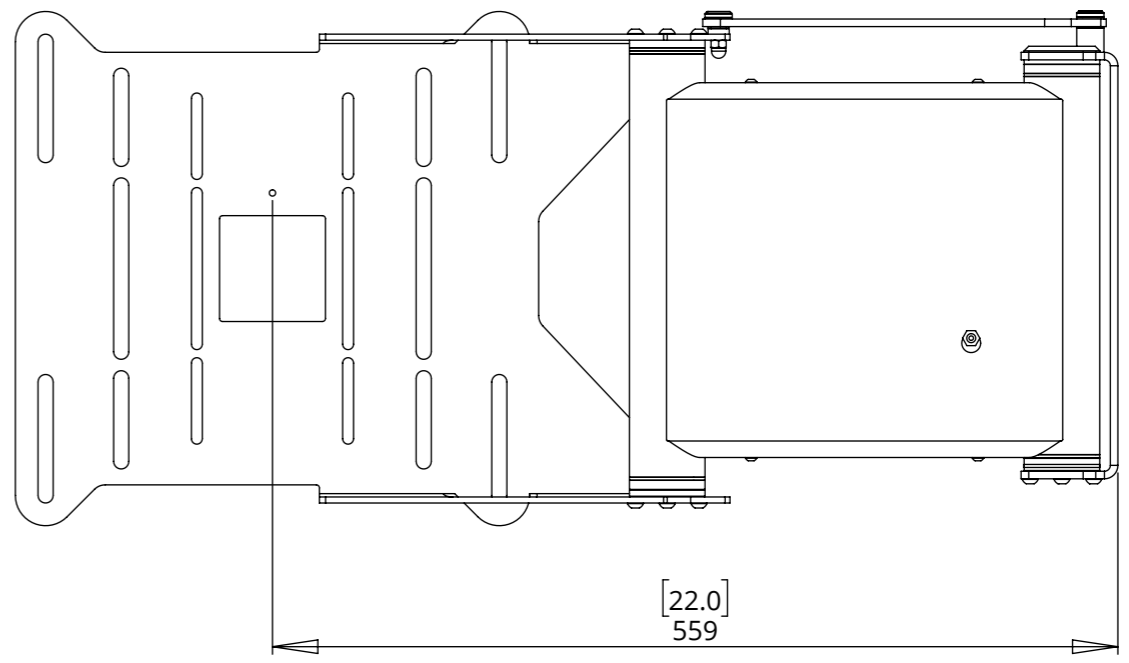
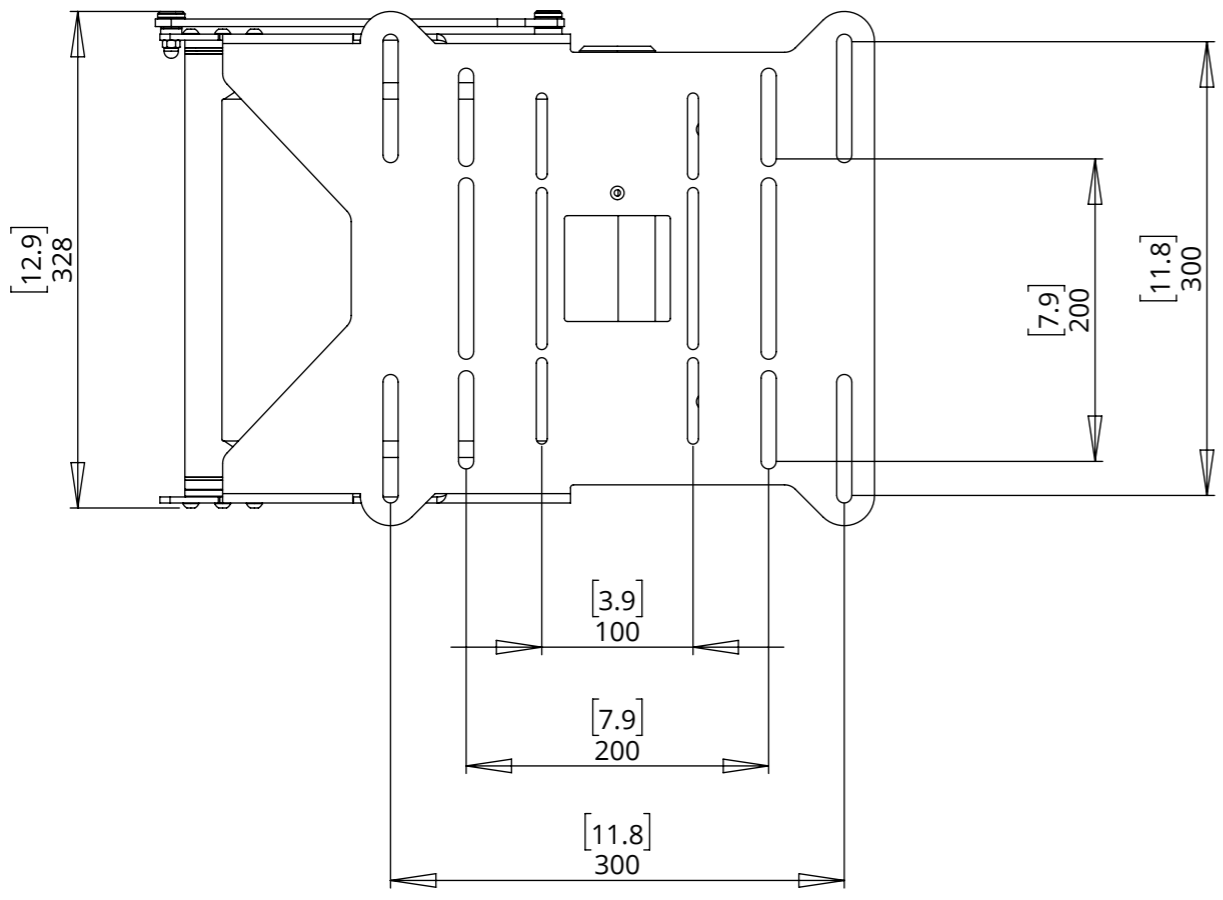
### VESA 400 ADAPTER PLATE

VESA 400 Adapter Plate attaches to the VESA 300 Standard Mount Plate  
The adapter plate adds 10mm [0.4] depth to the mechanism

Compatible with VESA patterns:  
400x400  
400x300

# FSE90 ELECTRIC WALL BRACKET

## BRACKET DIMENSIONS



# FSE90

## ELECTRIC WALL BRACKET

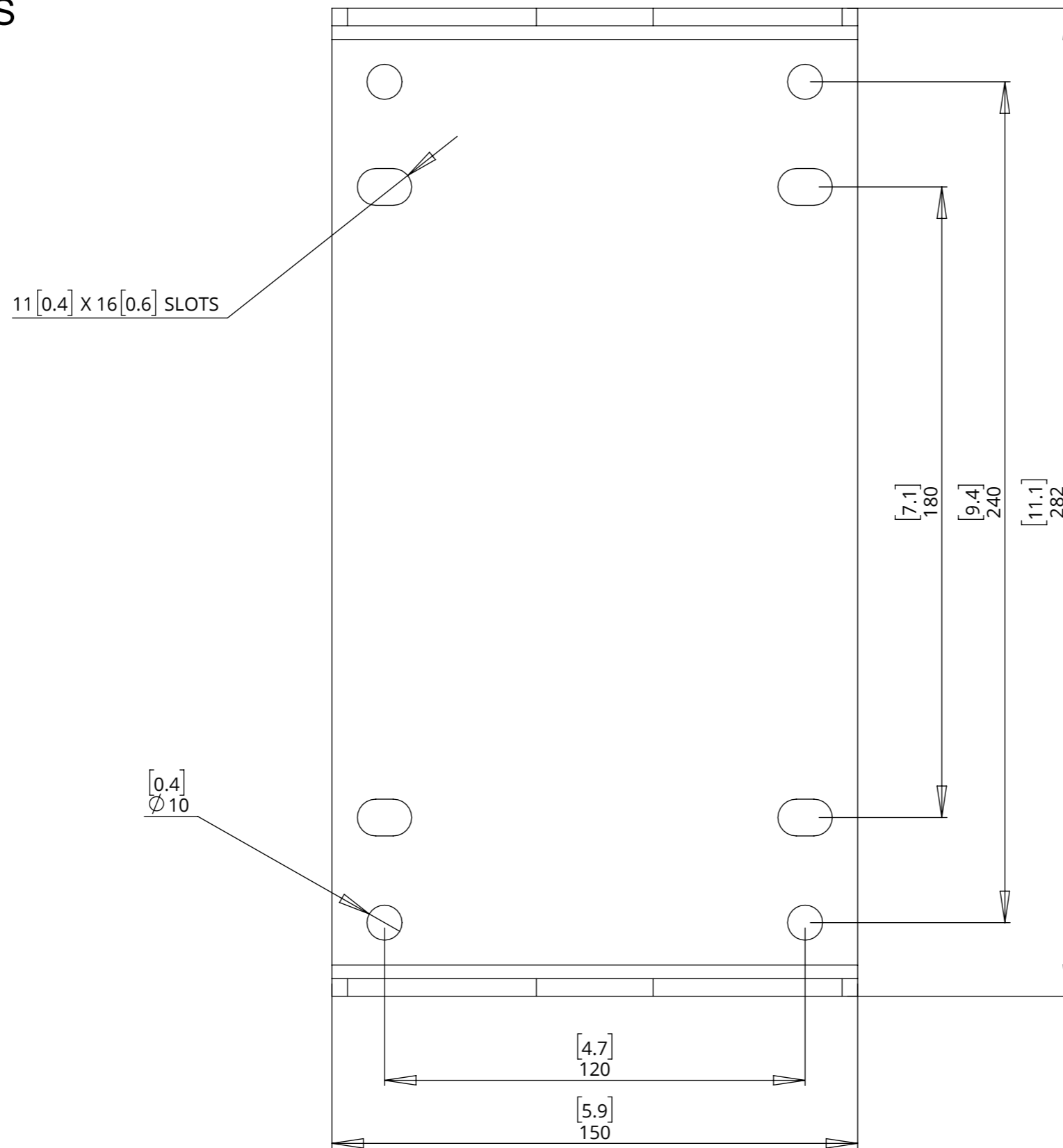


### WALL PLATE DIMENSIONS

Dimensions apply for all variants of the FSE90.

**NOTE:**

Centre line for screen is central to the FSE90 wall plate.



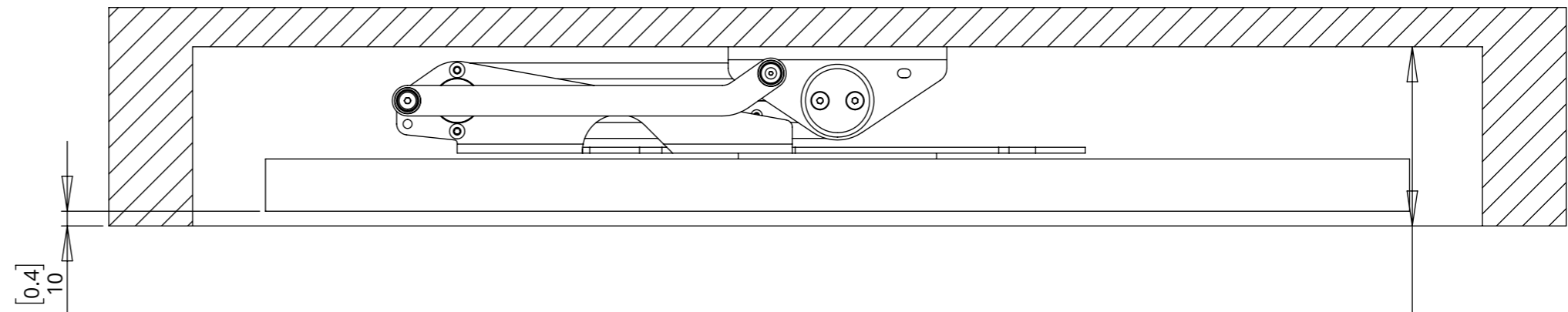
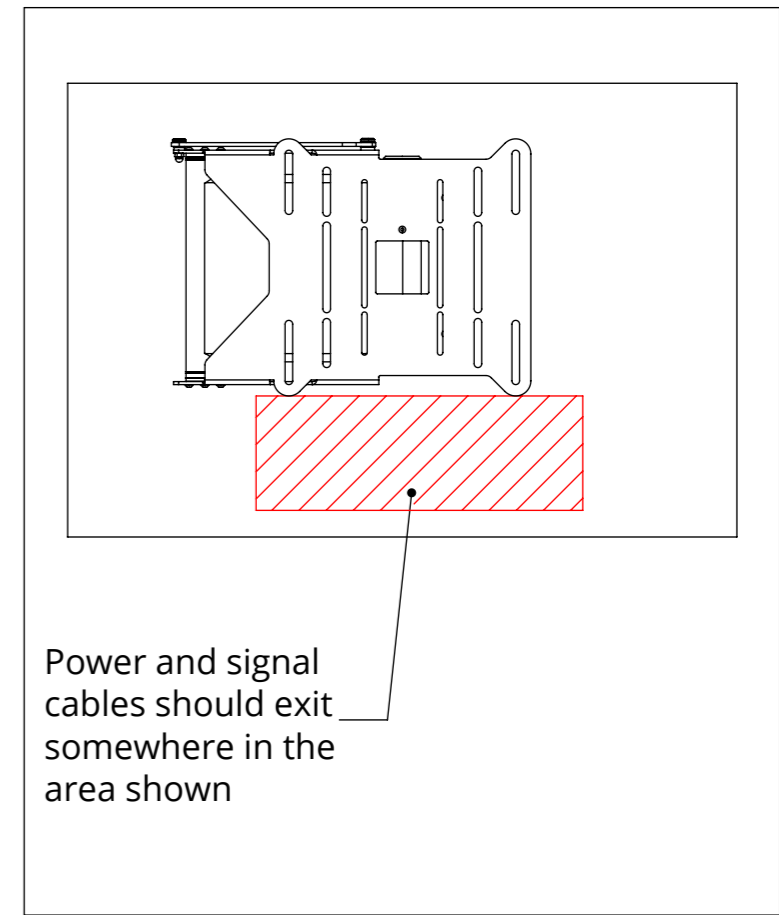
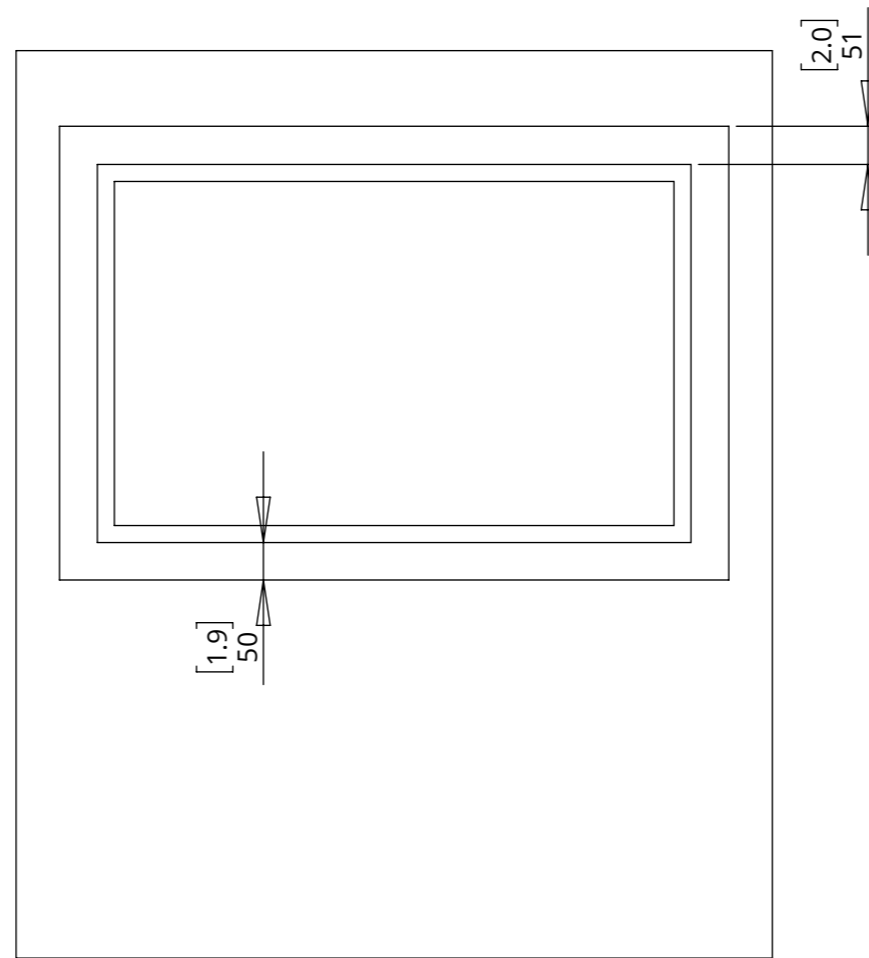
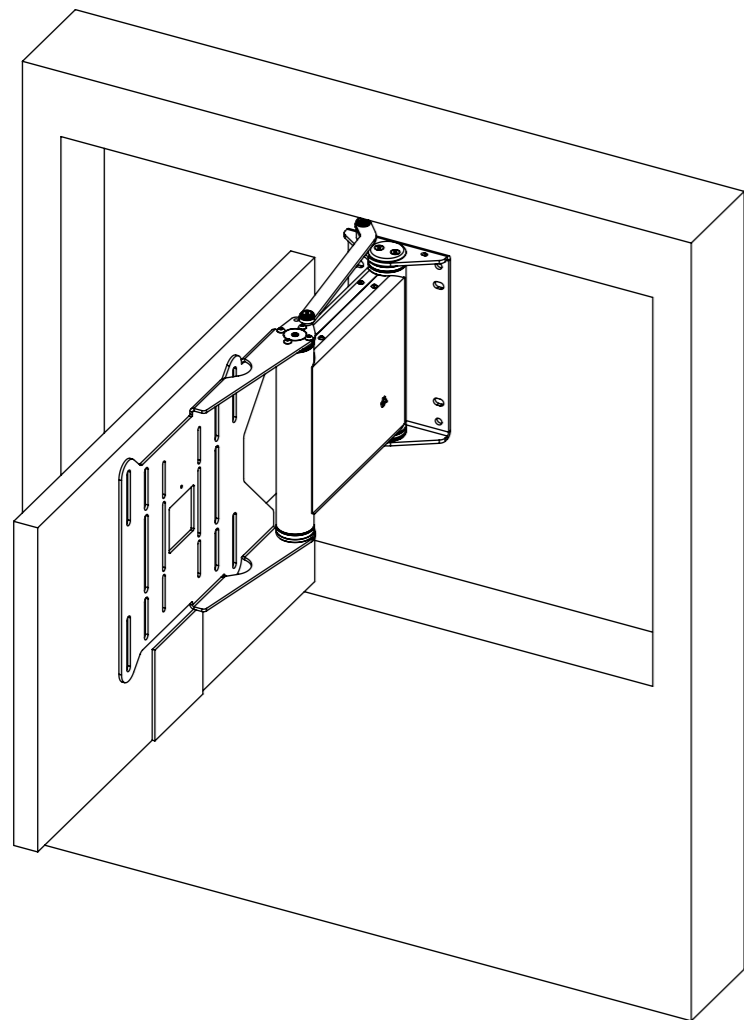
# FSE90

## ELECTRIC WALL BRACKET

### RECESS MOUNTING

A minimum of 50mm [2"] gap should be left all round between the screen and the recess to allow for ventilation.

The gap to the left and right side of the screen can not be reduced. The screen would hit the edge of the recess as it swings out otherwise.



Recess Depth = 83 [3.1] + Screen Depth(inc. adapter plate)

# FSE90 ELECTRIC WALL BRACKET



## RECESS MOUNTING

It is important to check the screen dimensions before planning to mount the PSE90 within any kind of recess.

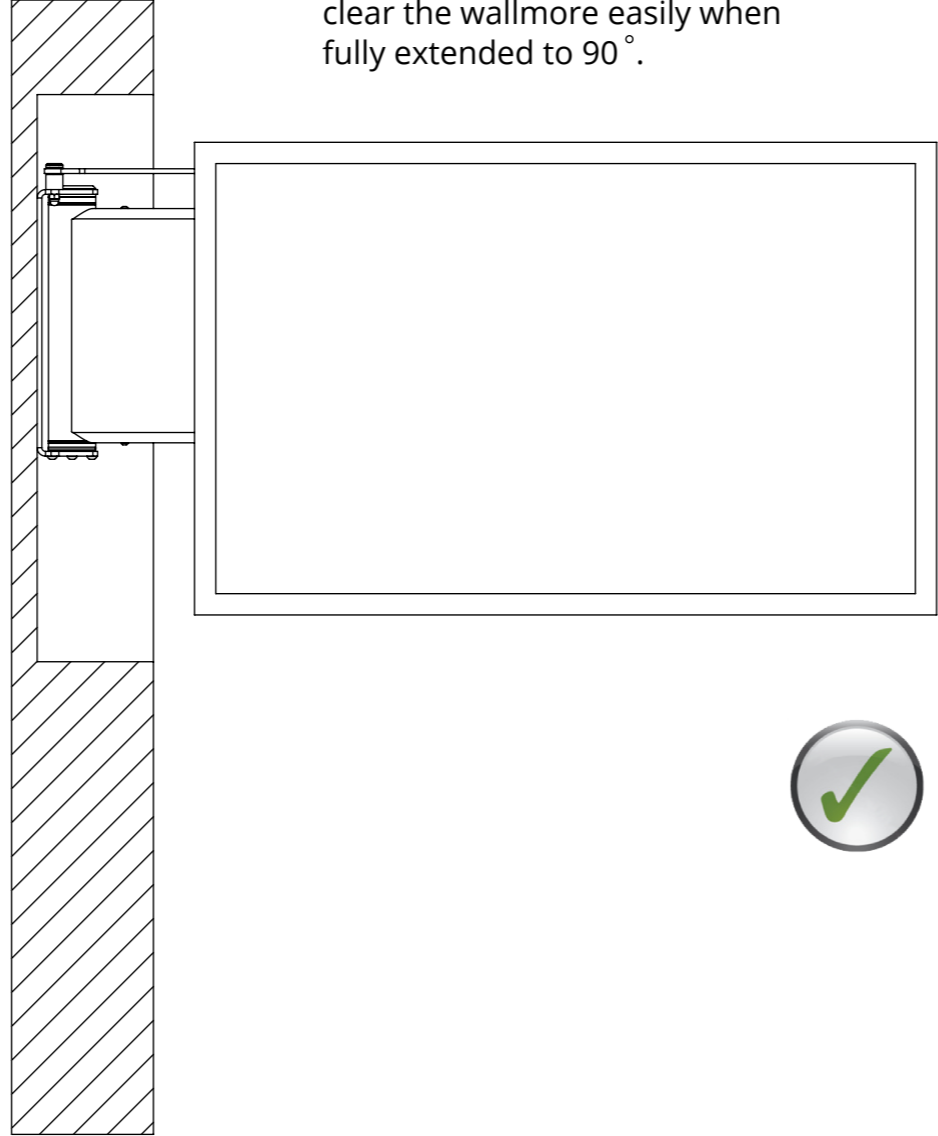
Some screen sizes may simply not be possible to mount in a recess.

These diagrams show how:



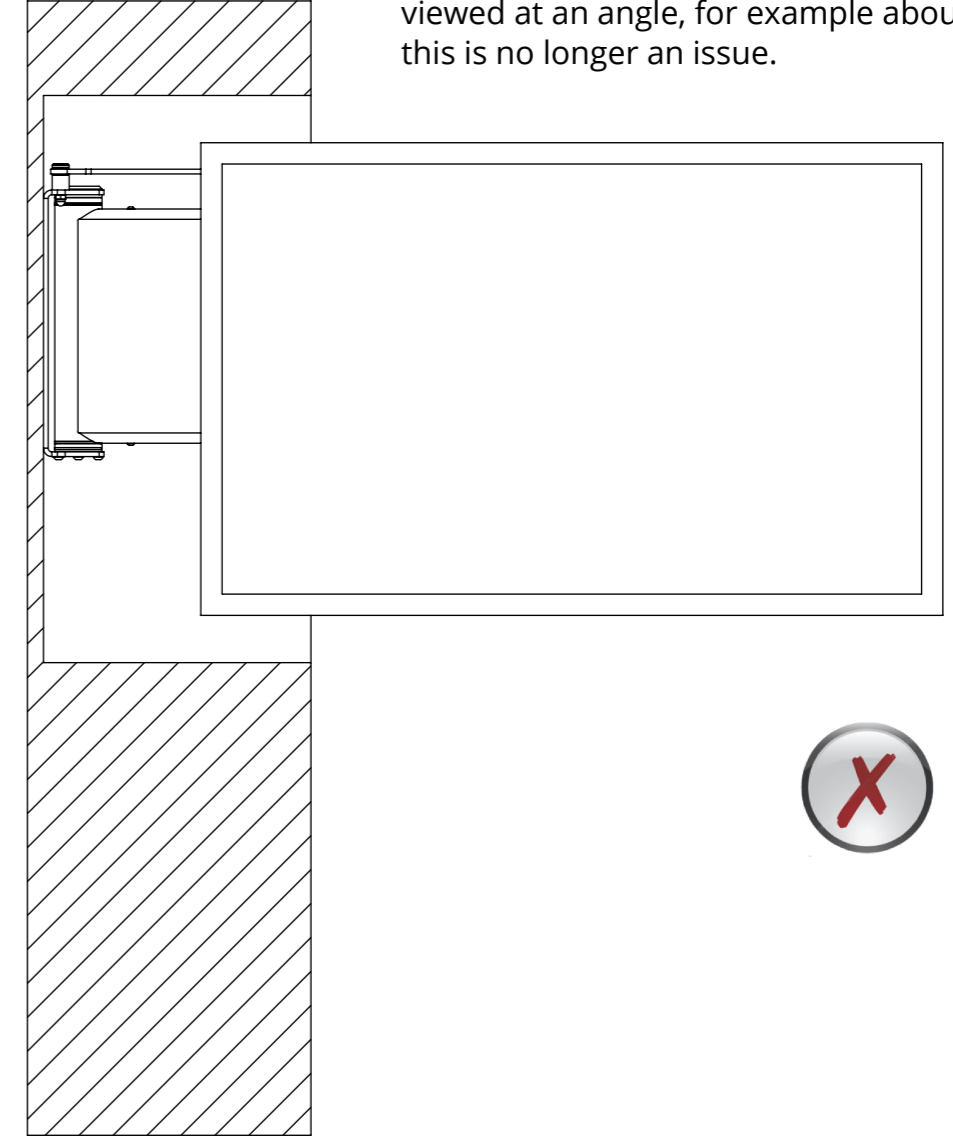
Deeper screens require a deeper wall recess which could obstruct viewing if screen rotated to 90°.

Slimmer screens do not require such a deep recess and so will clear the wall more easily when fully extended to 90°.



Deeper screens require deeper recesses and so could hide some of the screen when fully extended.

However, if the screen is going to be viewed at an angle, for example about 70° this is no longer an issue.



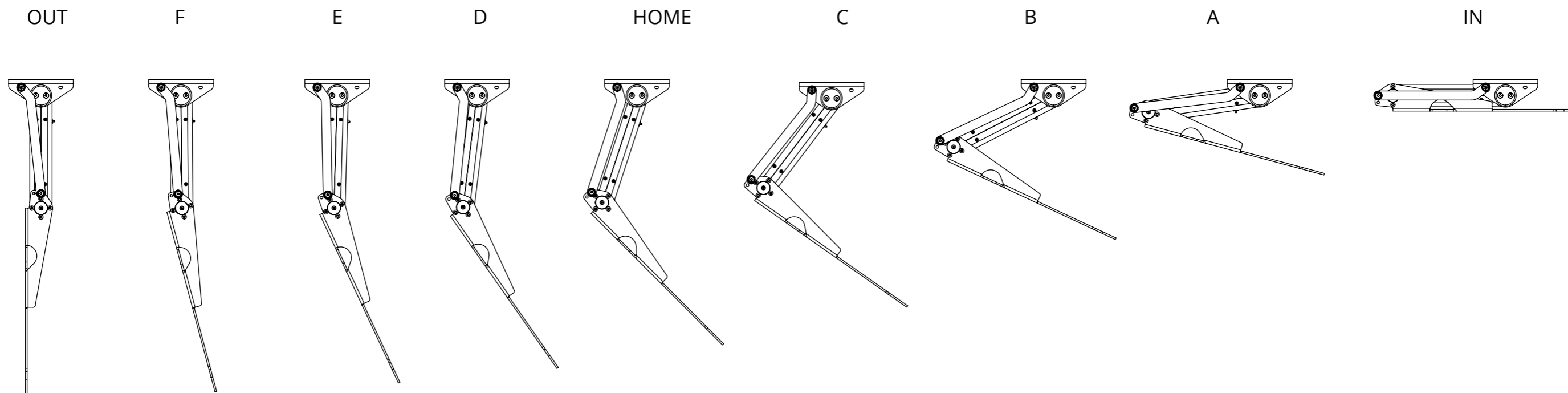


# FSE90

## ELECTRIC WALL BRACKET

### BRACKET SETUP

#### BRACKET MOVEMENT AND PRESET OPTIONS



A number of preset positions are set in the mechanism which are shown above with the corresponding letter on the remote control.

These positions can be changed apart from the IN and OUT.

# FSE90

## ELECTRIC WALL BRACKET



### MAX SCREEN VIEWING ANGLES

Below shows the FSE90 in 4 viewing angles 30°, 45°, 60° AND 90° showing the maximum screen width available.

