



DESIGN HIGHLIGHTS

- Aesthetically Superior Design and Finish
- Strong Double Arm Design
- Bi-directional Swivel
- Extensive Range of Screen Mount Adapters

OPTIONS

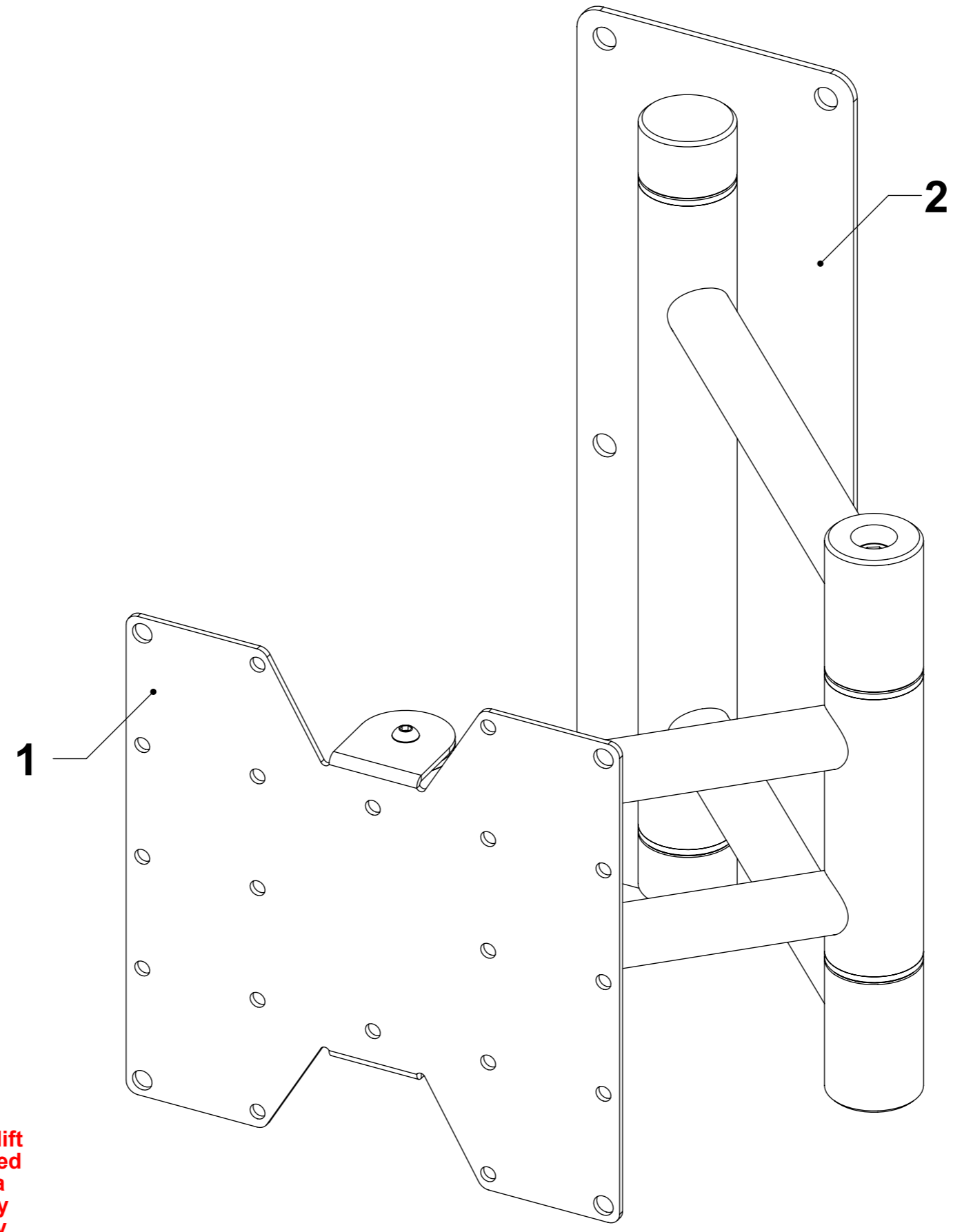
- Bang & Olufsen / Loewe mount option

Parts

Throughout these instructions, certain parts may be referred to as below.

- 1 Screen Mounting Plate
- 2 Wall Mounting Plate

The screen mounting plate shown in these instructions is a VESA multi plate. Other mounting plates are available to mount specific screen makes and models.



WARNING

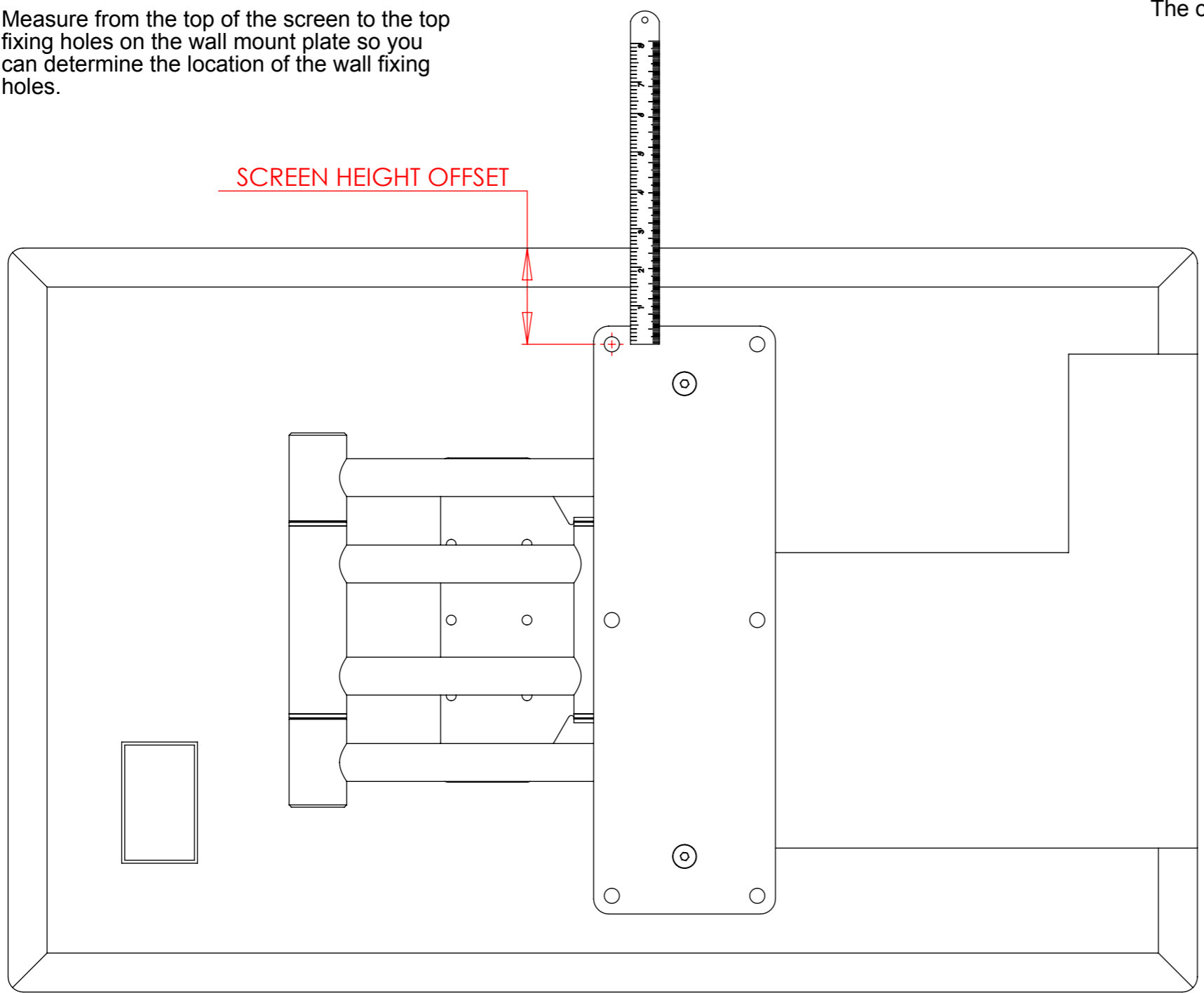
It is the responsibility of the installer to warn all potential end users of the dangers of interfering with mechanisms during operation

IMPORTANT

Mechanisms which lift or move weights need to be checked on a yearly basis for any damage which may result in an accident

Stage 1 Fitting The Bracket To The Wall

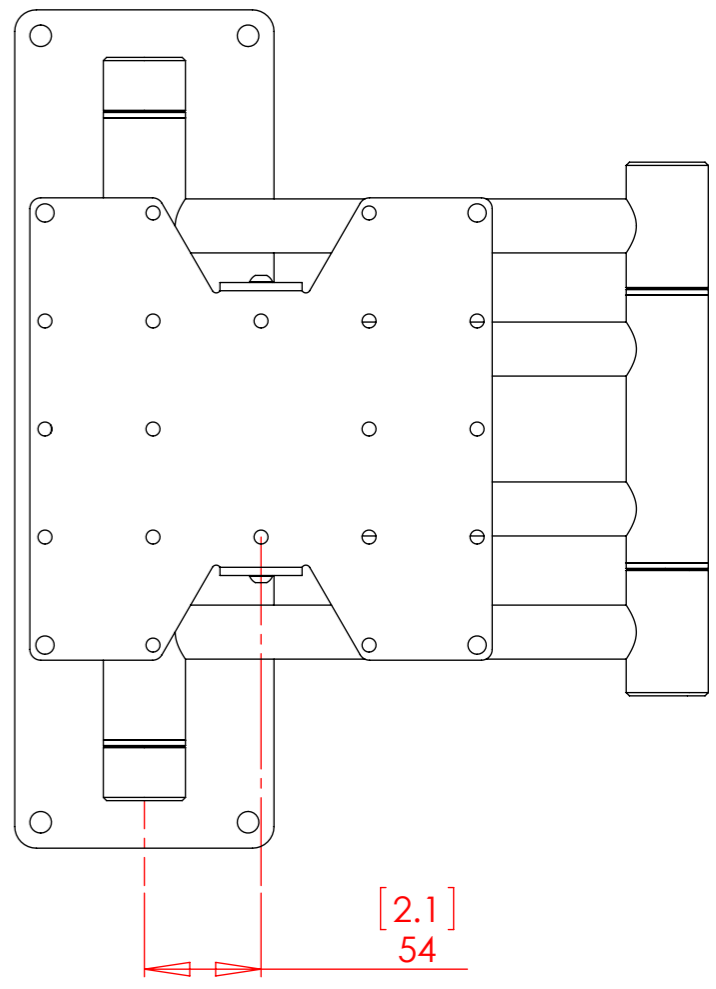
Measure from the top of the screen to the top fixing holes on the wall mount plate so you can determine the location of the wall fixing holes.



Screen Alignment

When positioning the bracket, remember that the centre of the wall plate is offset from that of the screen mounting plate and therefore the screen itself.

The offset is 54mm, as shown.



Stage 2

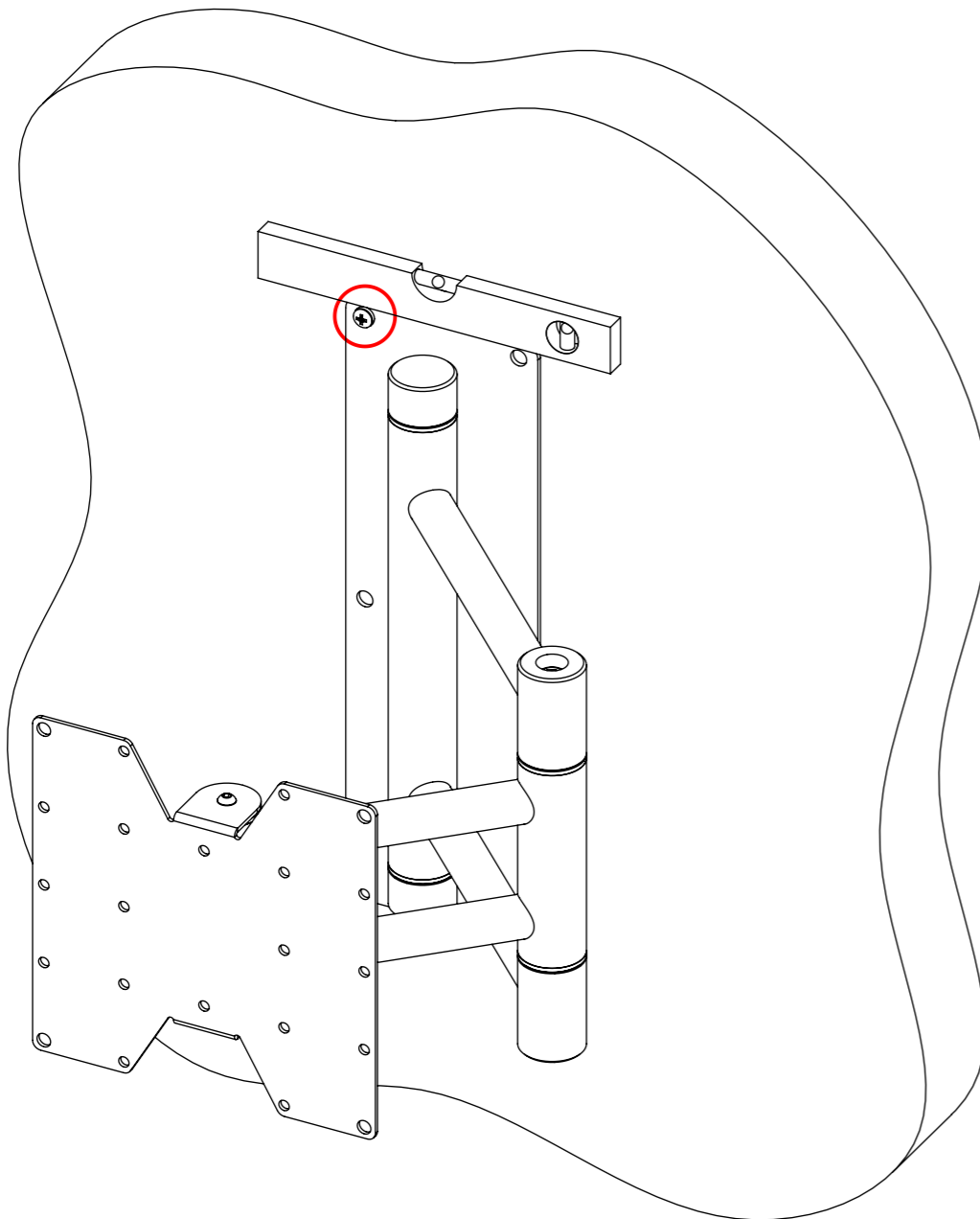
Fitting The Bracket To The Wall

Marking Up

Place the bracket against the wall in the position that will be required.

Mark where the first hole needs to go in the wall carefully. This should be the hole circled. Put the fixing in the wall first and then place the FSH on the wall, only held by the one fixing.

Make sure that the bracket is square and level by using a spirit level. Once square, mark the other holes, and fix accordingly.

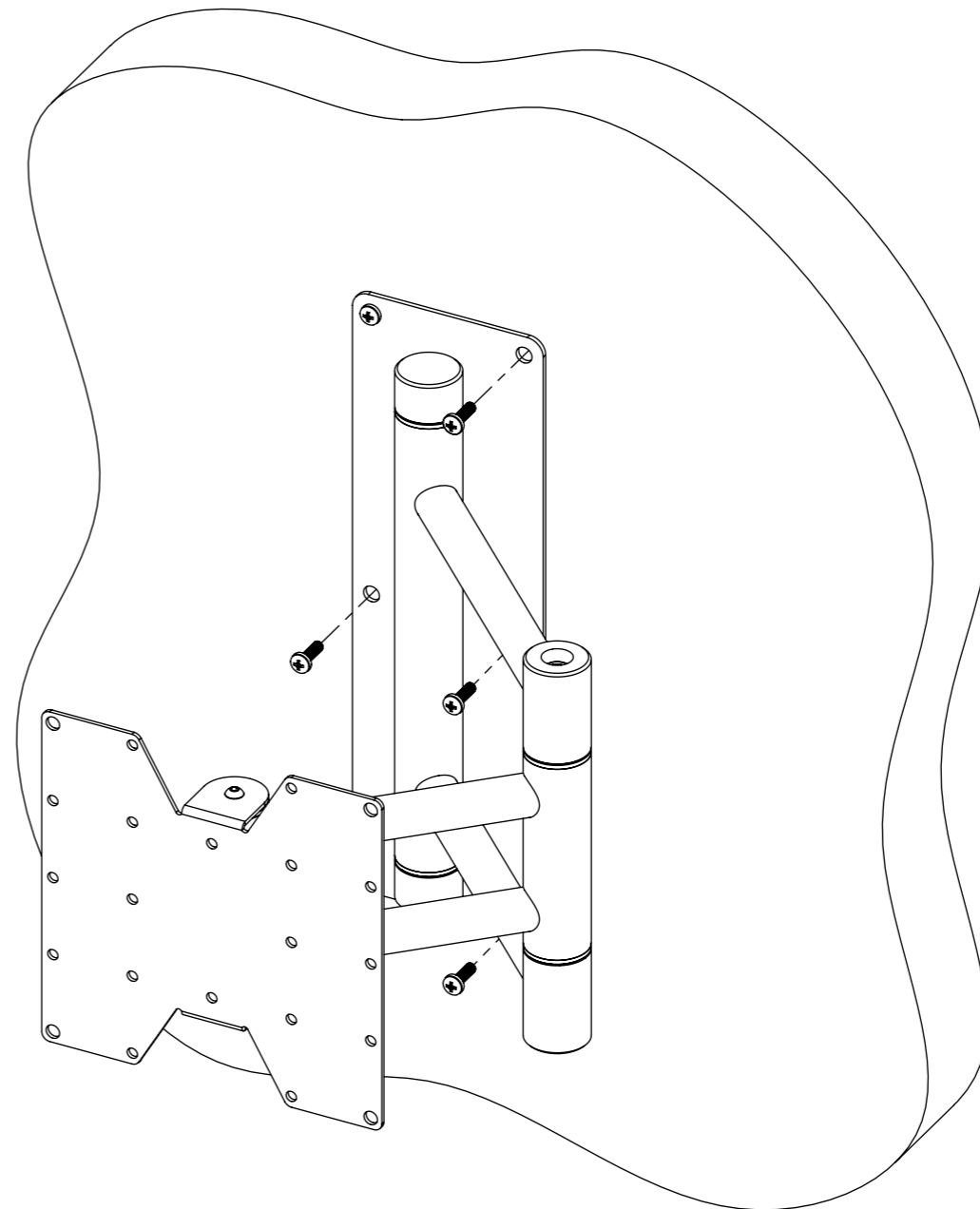


Fixing to Wall

Always use appropriate fixing types. We recommend the use of large rawlbolts in order to fix the FSH to the wall, for solid brickwork.

Suitability of wall fixings will depend on the type of wall the product is to be fixed to.

If unsure, please seek instruction from your supplying dealer.



Stage 3

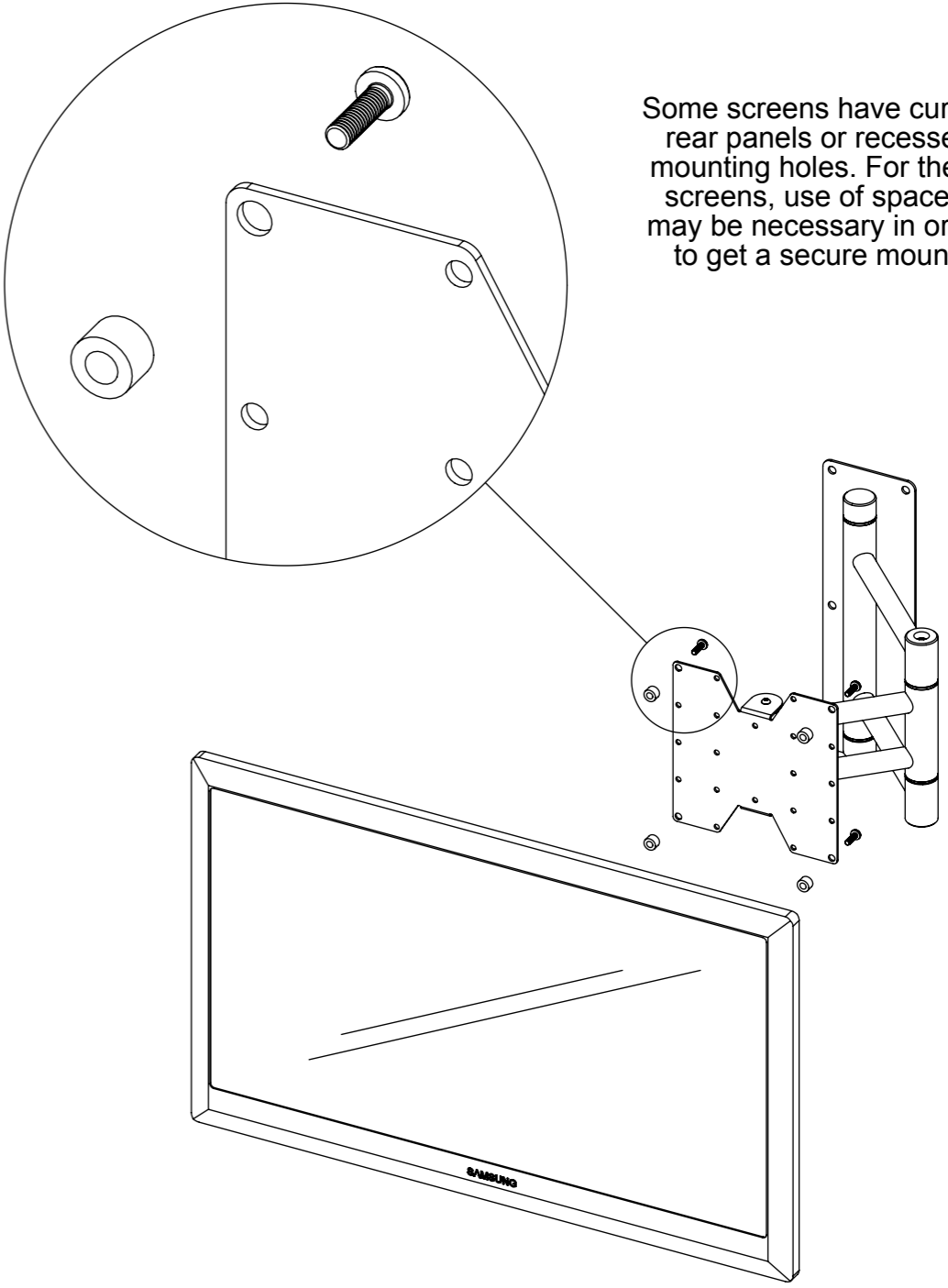
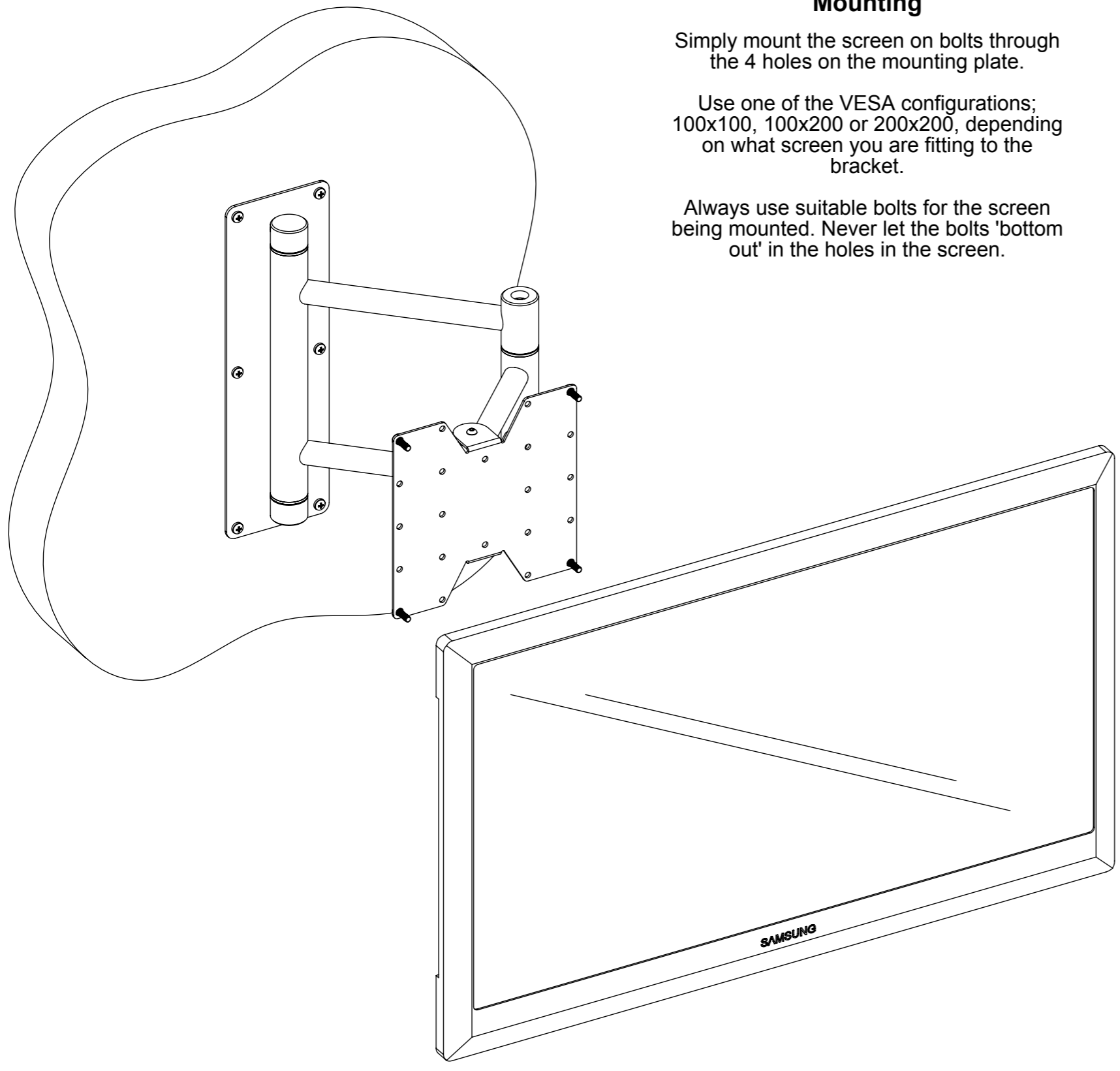
Fitting The Screen To The Bracket

Mounting

Simply mount the screen on bolts through the 4 holes on the mounting plate.

Use one of the VESA configurations; 100x100, 100x200 or 200x200, depending on what screen you are fitting to the bracket.

Always use suitable bolts for the screen being mounted. Never let the bolts 'bottom out' in the holes in the screen.



Some screens have curved rear panels or recessed mounting holes. For these screens, use of spacers may be necessary in order to get a secure mount.

Stage 4

Bracket Movement

Some examples of the positions the FSH bracket can move into.

