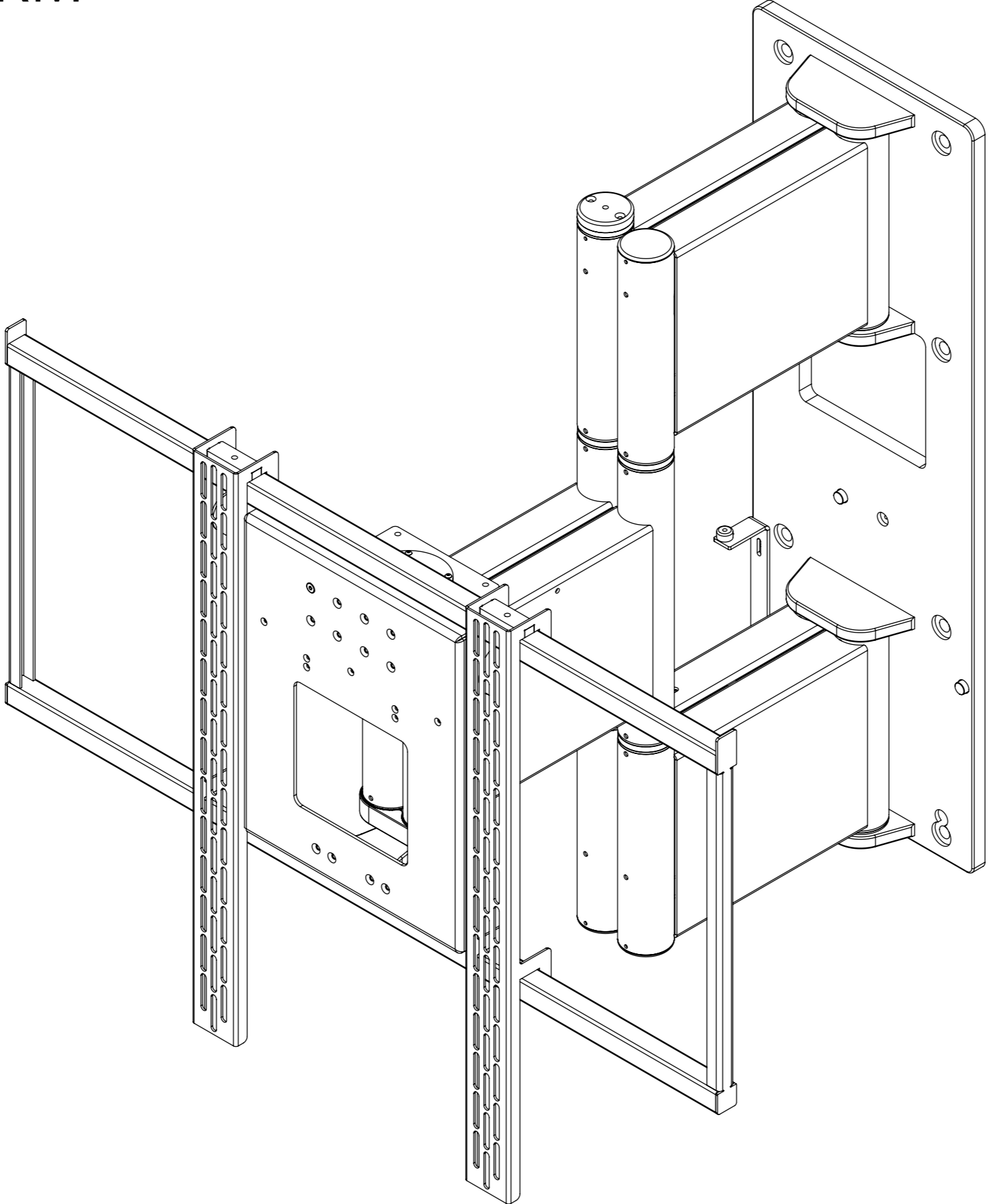


# HQA HEAVY QUAD ARM



future automation



# HQA

## HEAVY QUAD ARM



SPECIFICATION	MEASUREMENTS
Product Dimensions	1128mm (44.4") x 1023mm (40.28") x 180mm (7.1")
Maximum Weight Capacity	150Kg (330lb)
Maximum Speed	30mm/s
Maximum Extension From Wall	843mm (33.19")
Depth From Wall	192mm (7.62")
Product Weight	85Kg (187.4lb)
Packaging Dimensions	TBC
Shipping Weight	TBC
Maximum Rotation	75° - Both Ways (Screen Width Dependent)
Movement Type	Motorised
Power Supply Required	110V - 240V AC
Power Consumption Max.	120W
Power Consumption Standby	3W
Mounting Patterns Supported	VESA 400, 300, 200 W x 400, 300, 200 H
Control Options	IR Remote, RS232, Contact Closure
Product Options / Features	Specific B&O and Loewe mounts / adapters, Custom RAL paint finishes, Marine suitable version
Package Contents	Mechanism, IR remote control
Marine Suitable	No

# HQA HEAVY QUAD ARM

## Design Highlights

Sophisticated electronics allow for a favourite viewing position to be programmed via the IR remote control.

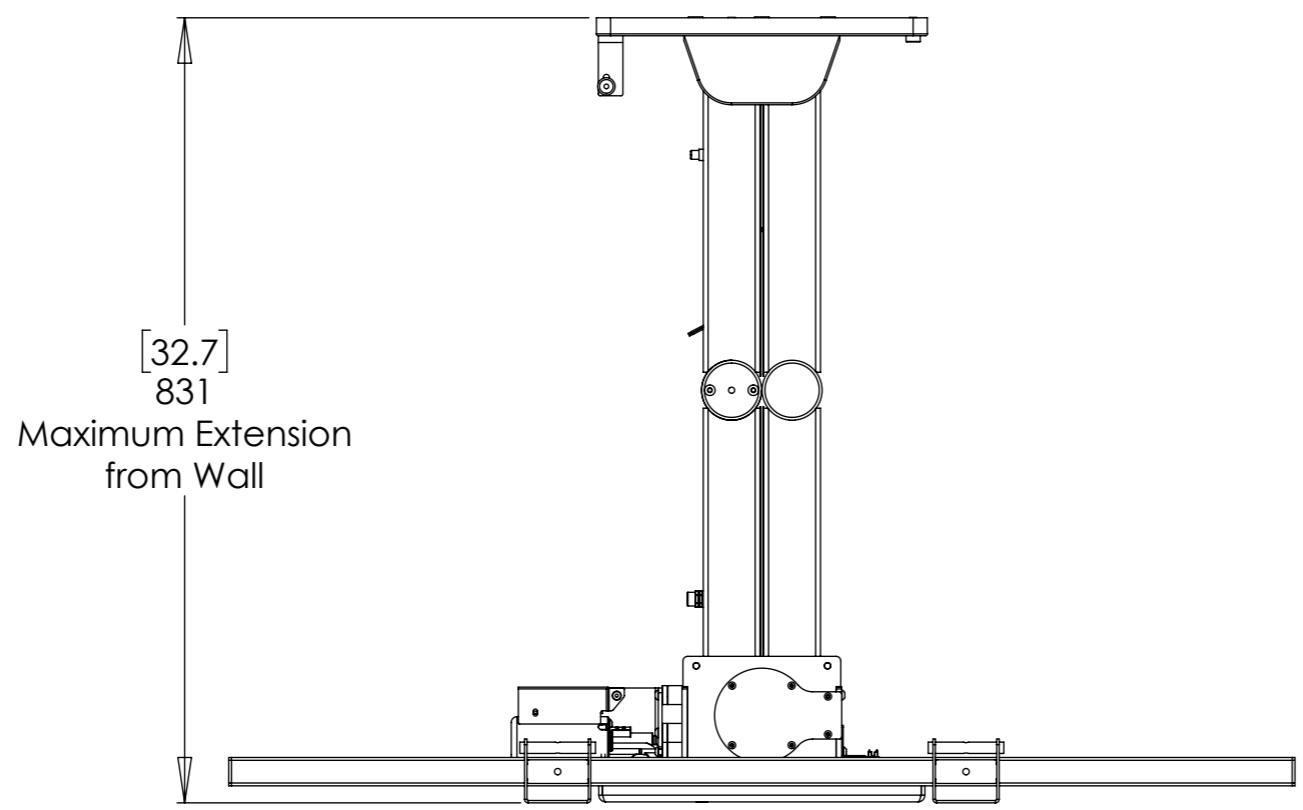
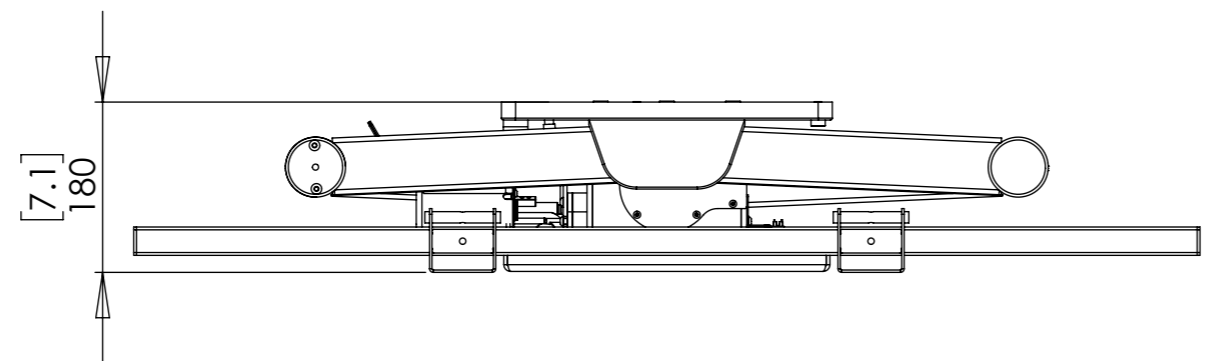
The mechanism allows up to 843mm [33.1] extension of screen centre from wall.

The bracket can move parallel to the wall to initially take the screen out of a tight recess. The screen will then turn to the appropriate side up to a maximum of 75°, please note that larger screens reduce the maximum achievable swivel angle.

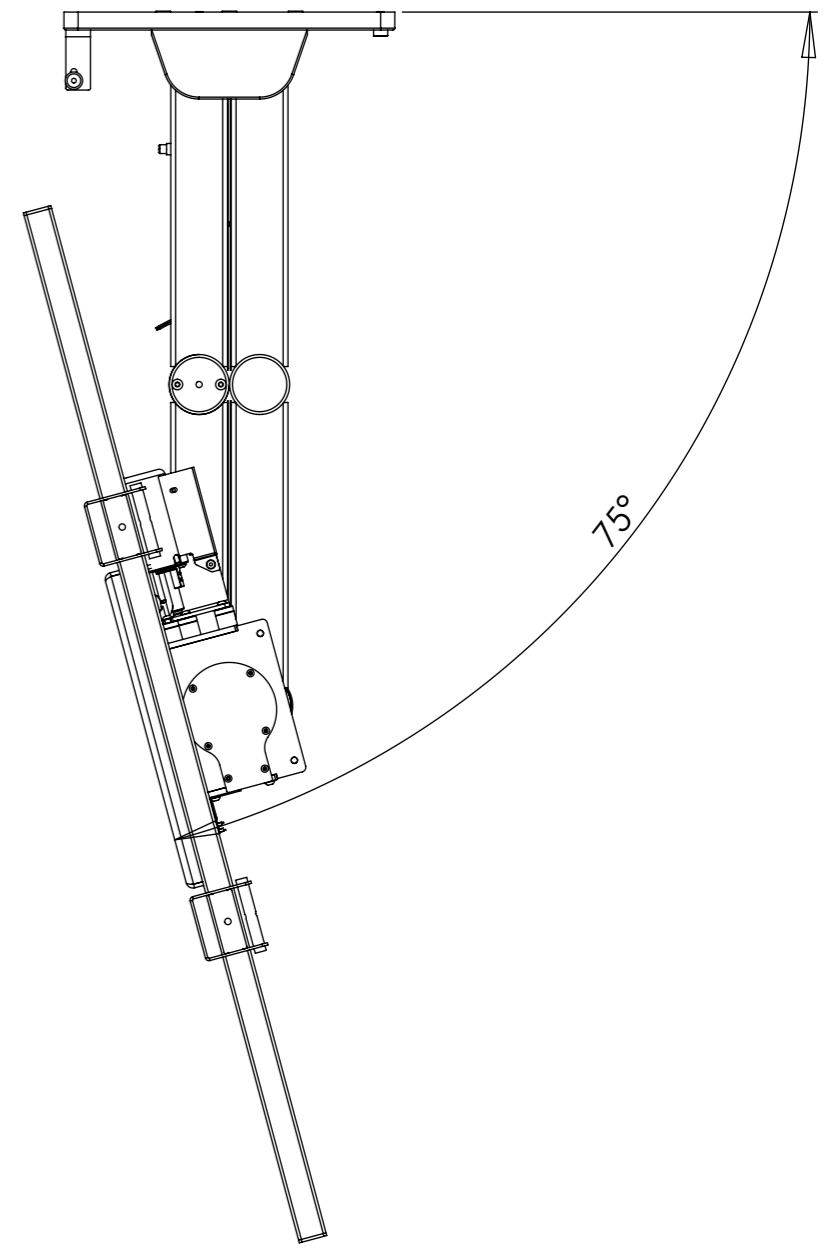
Hook on removable uprights allow the bracket to take a wide variety of screens.

The arms on the right-hand side of the bracket are reserved to conceal all power and signal cables.

Available with Marine Lock to safely lock bracket against wall when not in viewing position.



MAXIMUM MECHANISM SWIVEL ANGLE  
NOTE: USE OF LARGER SCREENS REDUCE THIS MAXIMUM ANGLE

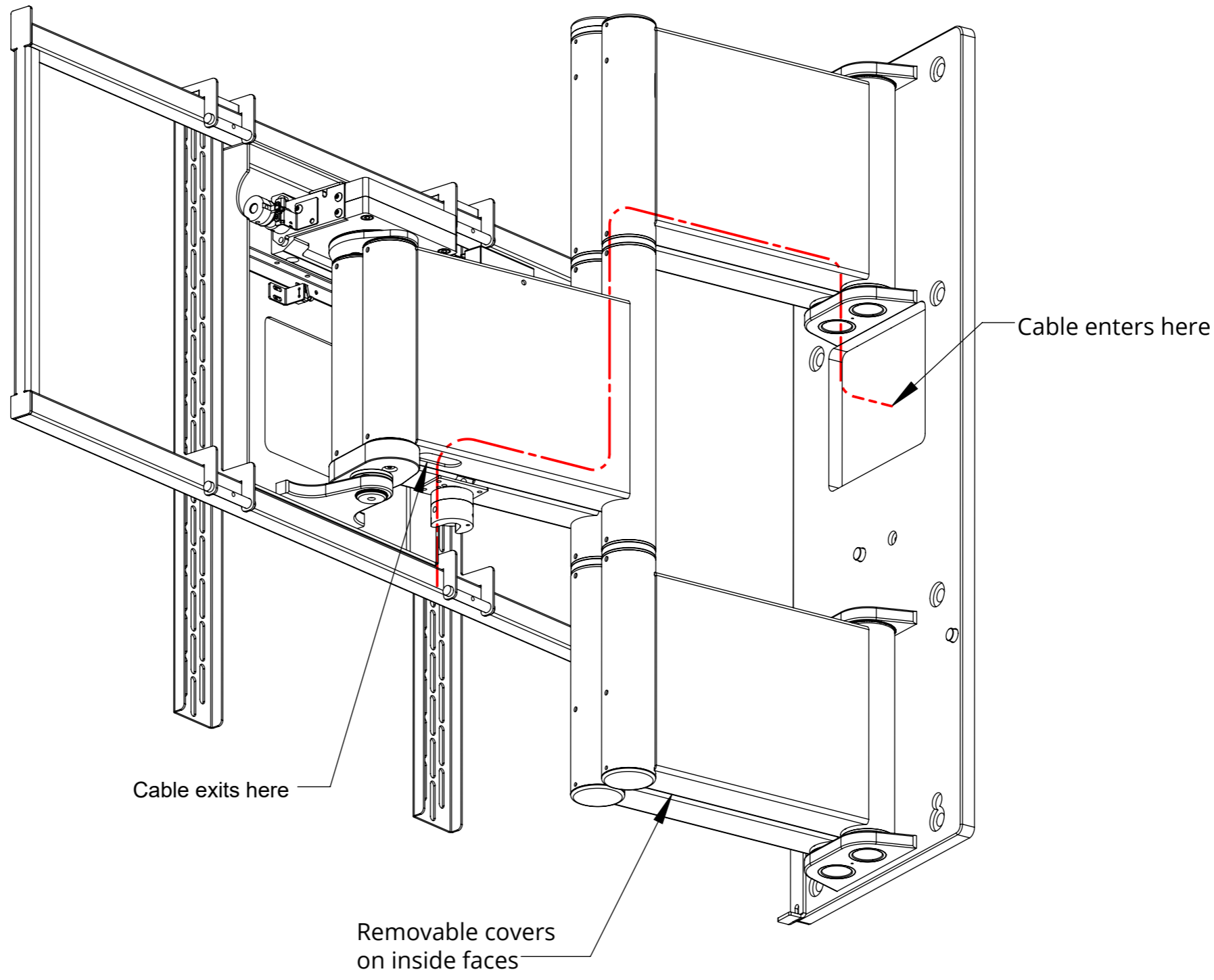


# HQA HEAVY QUAD ARM



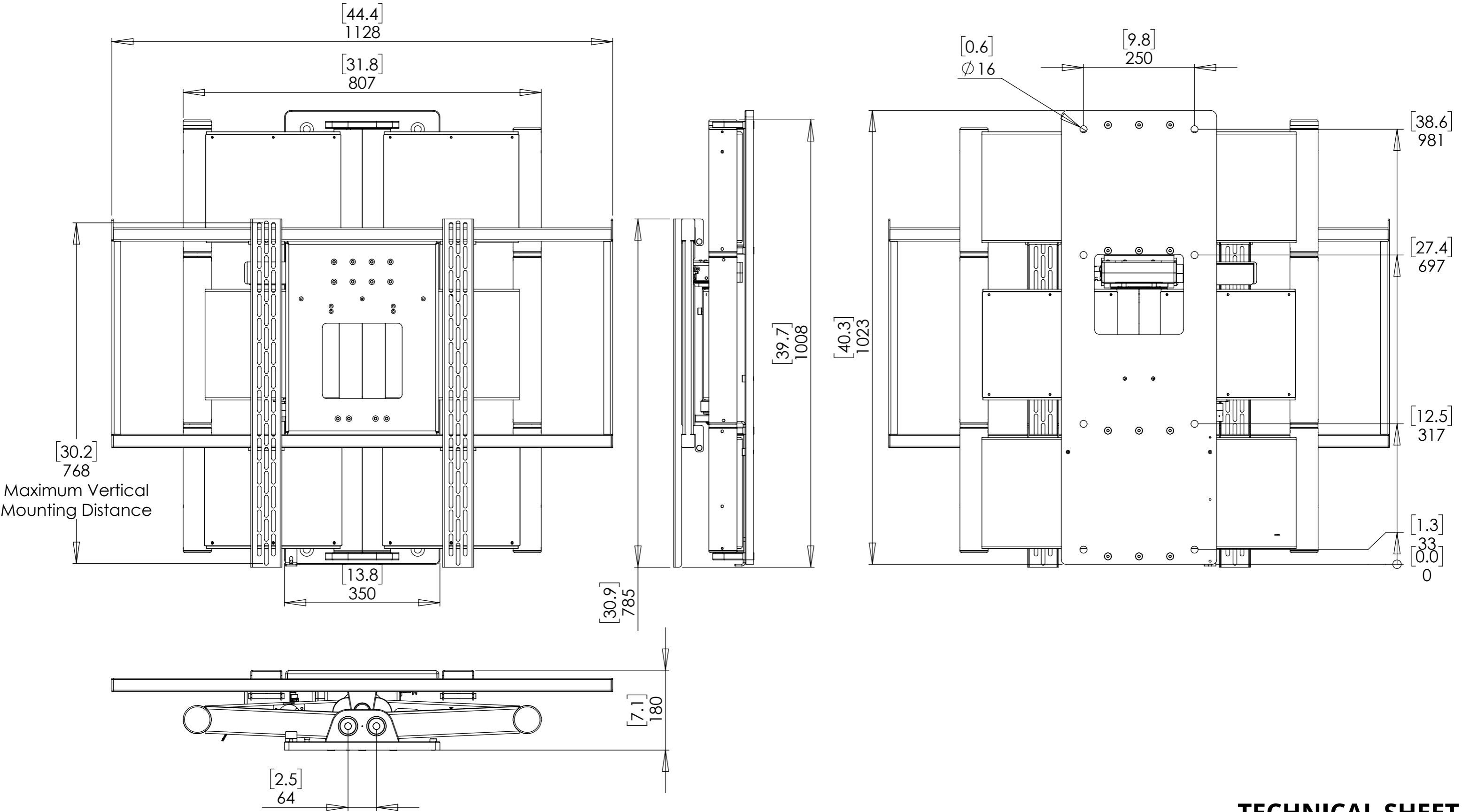
## Cable Management

The HQA has removable arm covers on the inside faces that allow all cables to be run inside the arms of the mechanism to keep them out of sight.



# HQA HEAVY QUAD ARM

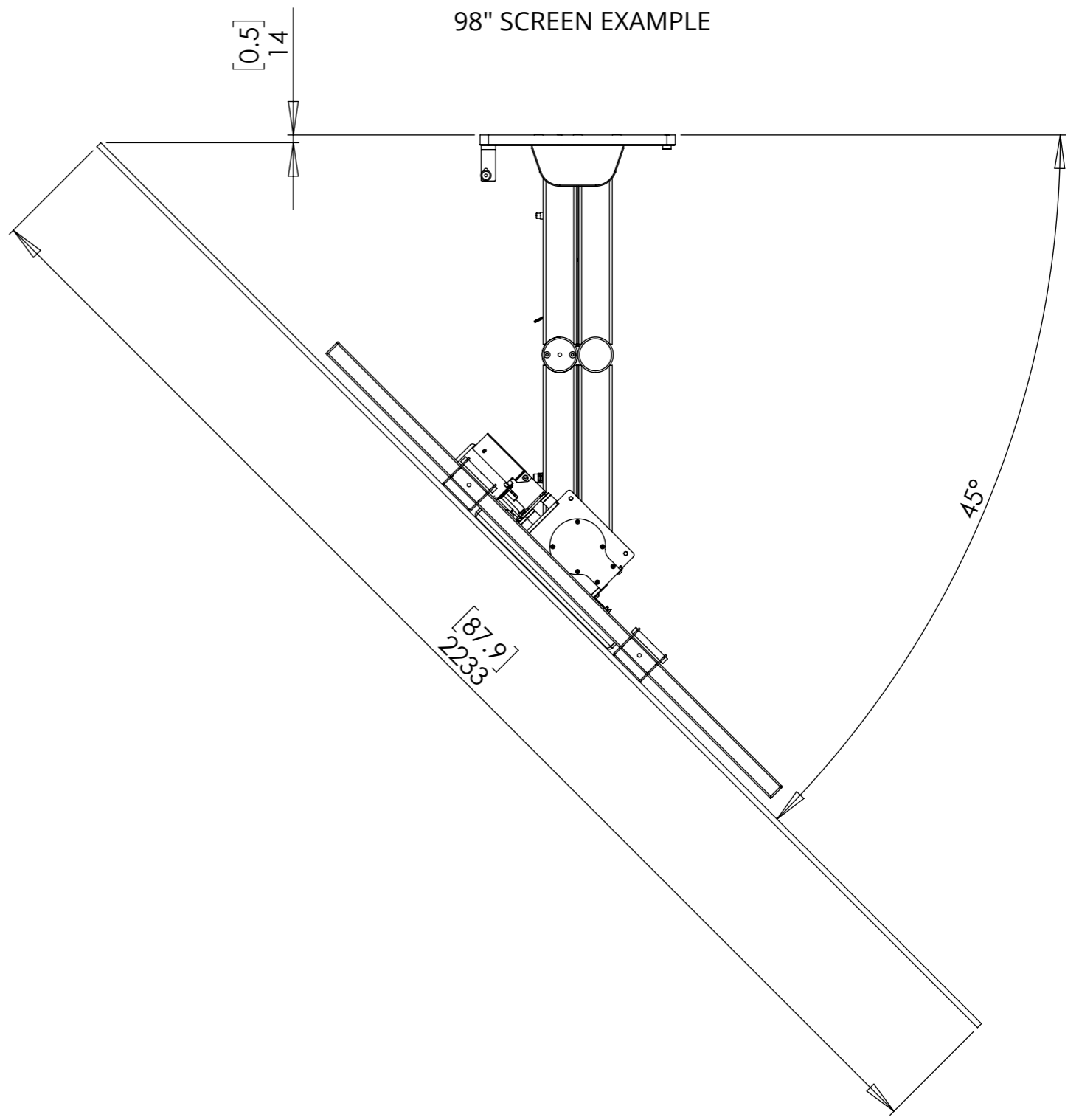
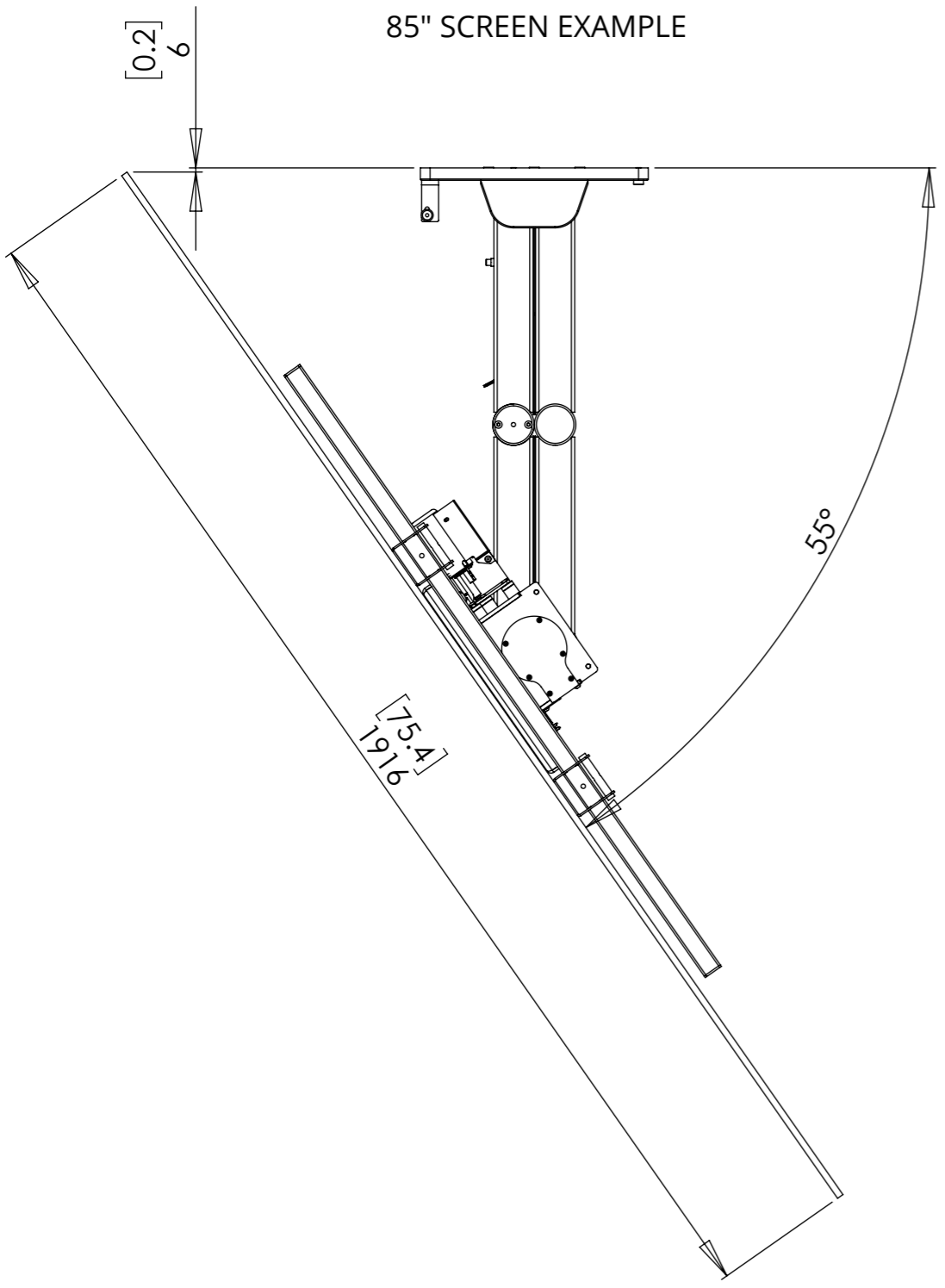
## Overall Dimensions



# HQA HEAVY QUAD ARM

## Swivel Angles

Examples below show the maximum swivel angles achieved based on differing screen sizes.

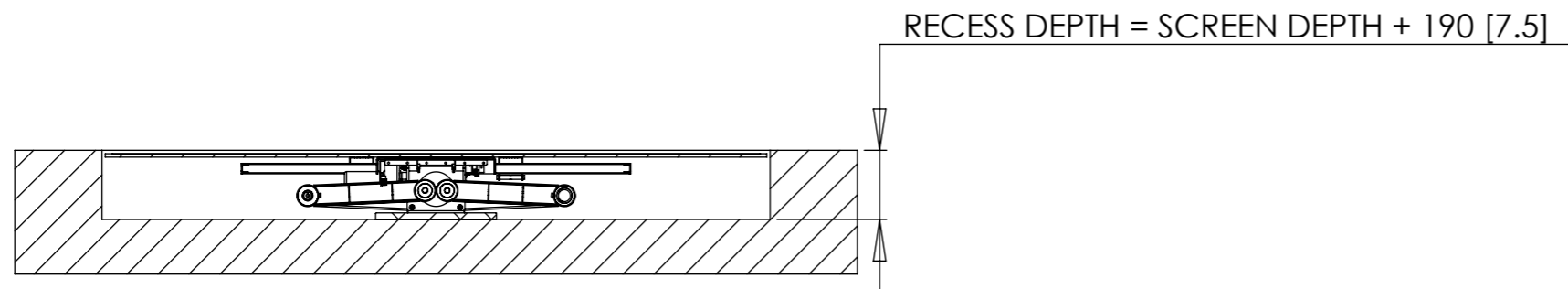
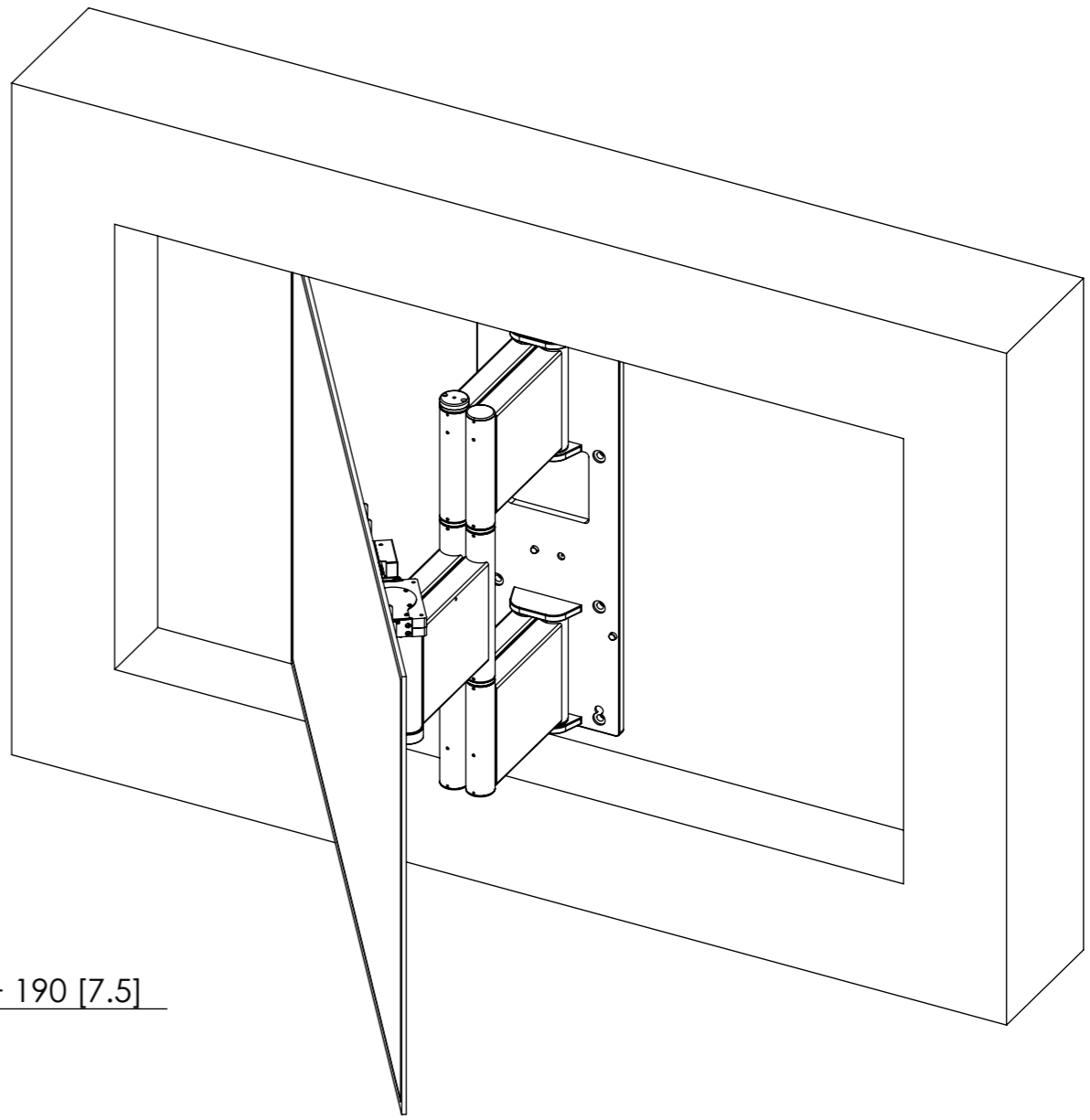
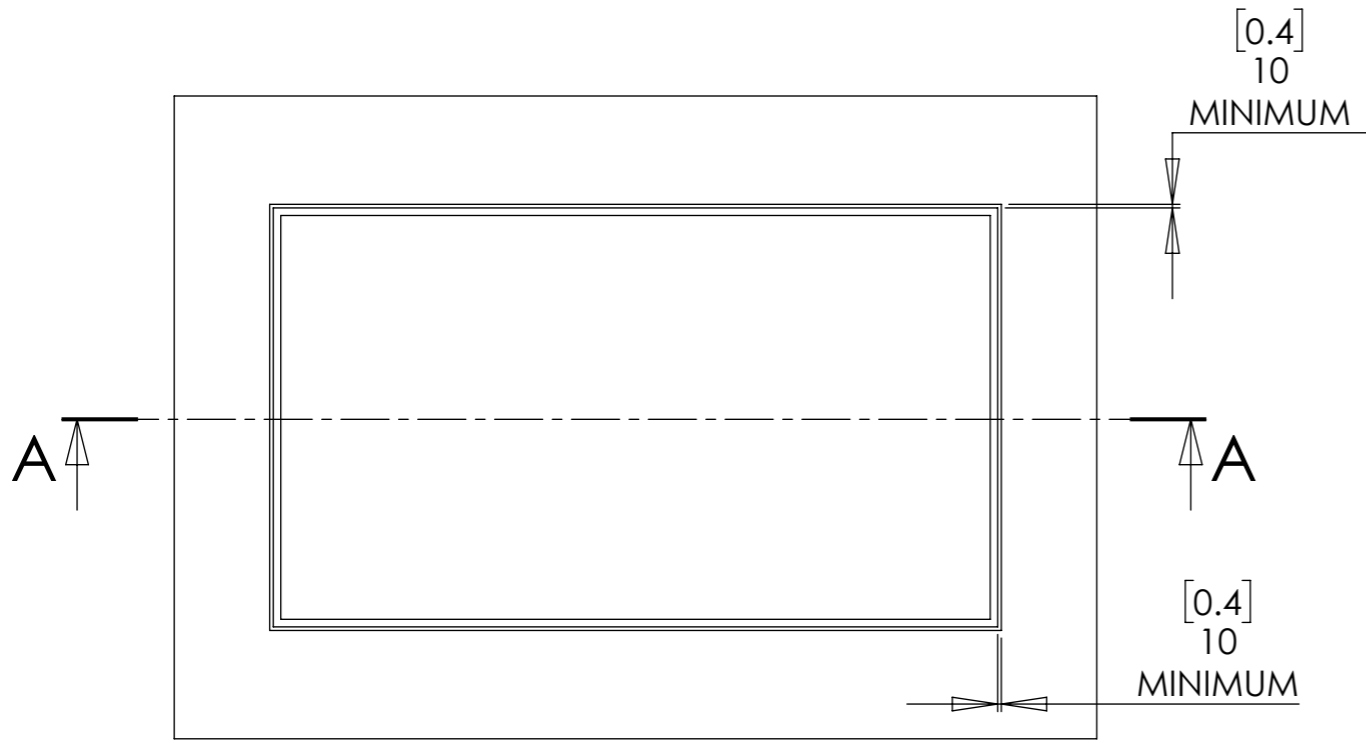


# HQA HEAVY QUAD ARM

## Recess Mounting

In order to mount the HQA in a recess, a minimum of 10mm perimeter gap from the screen is required, also ensure adequate ventilation for tight recesses.

When putting in recesses and using the bracket at the maximum angle, beware of obscuring part of the screen. With a deeper or wider screen the maximum angle will need to be reduced.



SECTION A-A  
SCALE 1 : 20