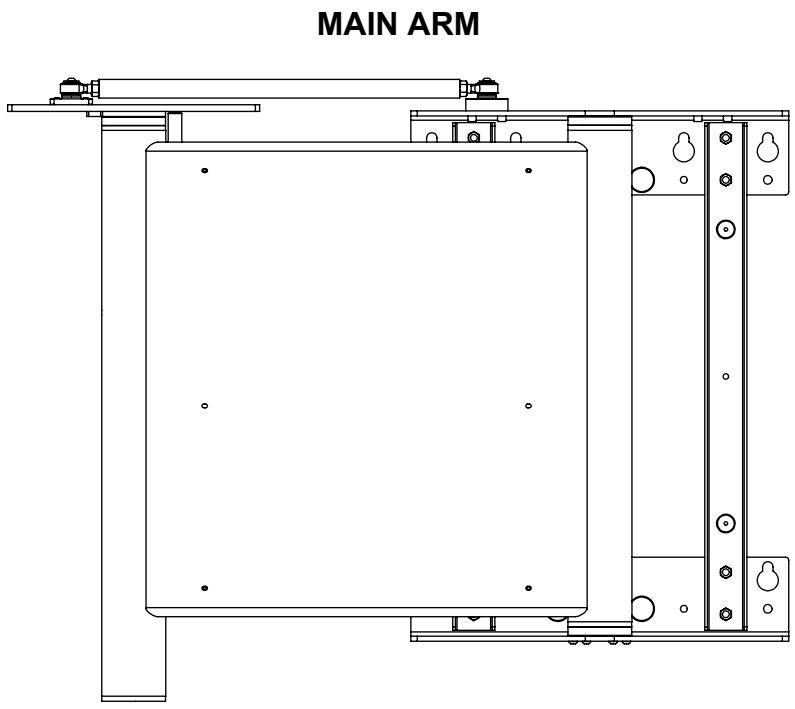


### BOX CONTENTS

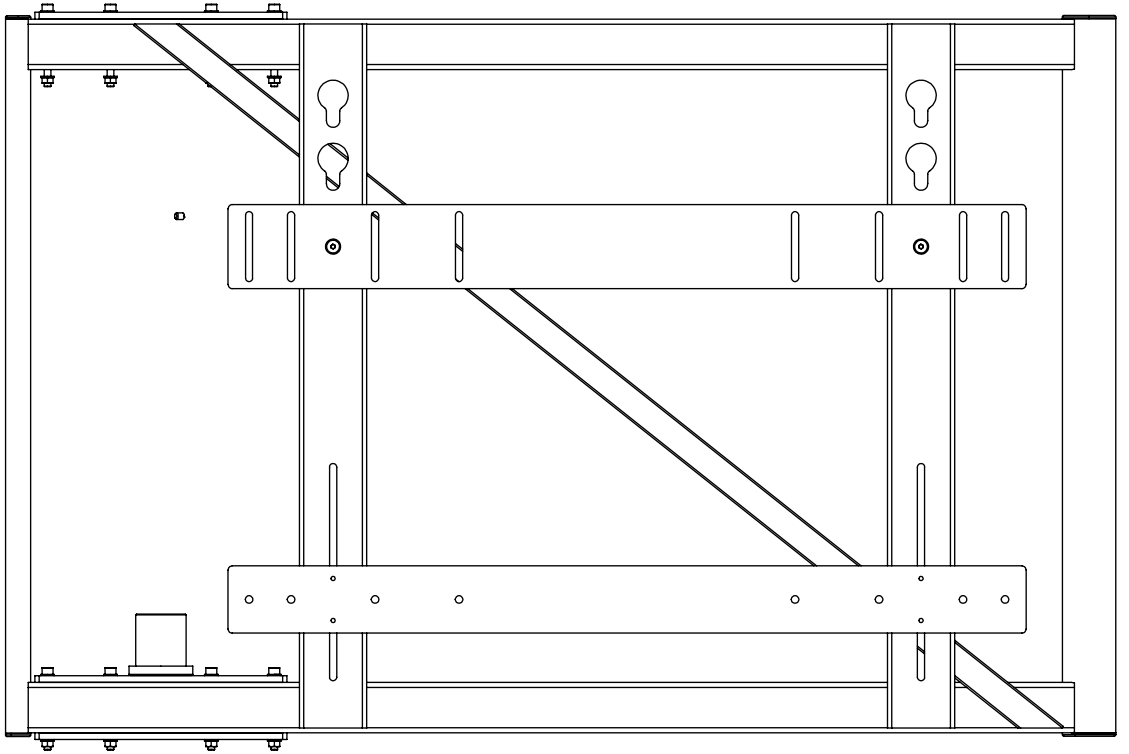
- Main Arm
- Screen Mount Frame
- Wall Cover (x2)
- Fixings

### INSTALLATION STEPS

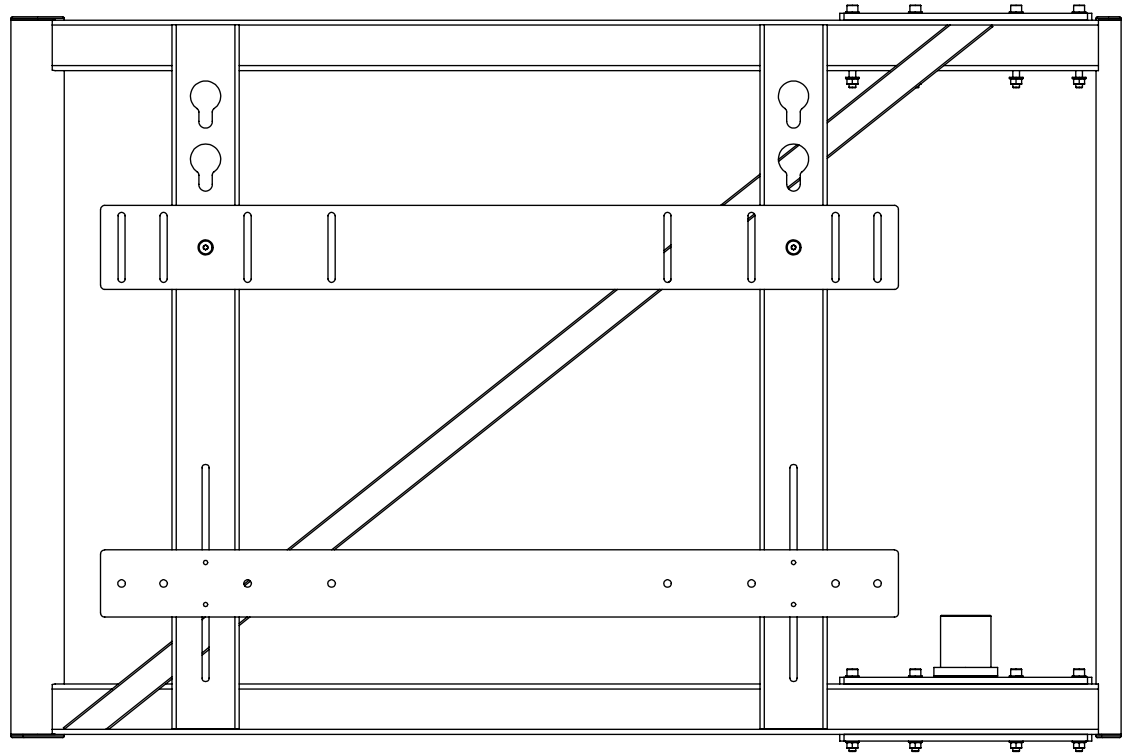
1. Wall Mounting
2. Screen Mount Frame Preparation
3. Screen Mount Frame Attachment
4. IN & OUT Switch Adjustment
5. Link Bar Adjustment
6. Screen Mounting
7. Cable Routing



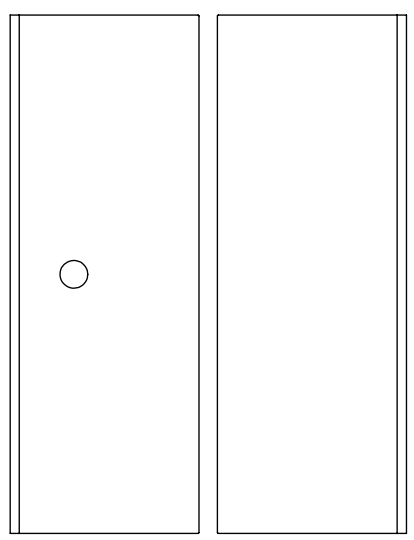
SCREEN MOUNT FRAME (CLOCKWISE VERSION)



SCREEN MOUNT FRAME (COUNTER-CLOCKWISE VERSION)



WALL COVERS

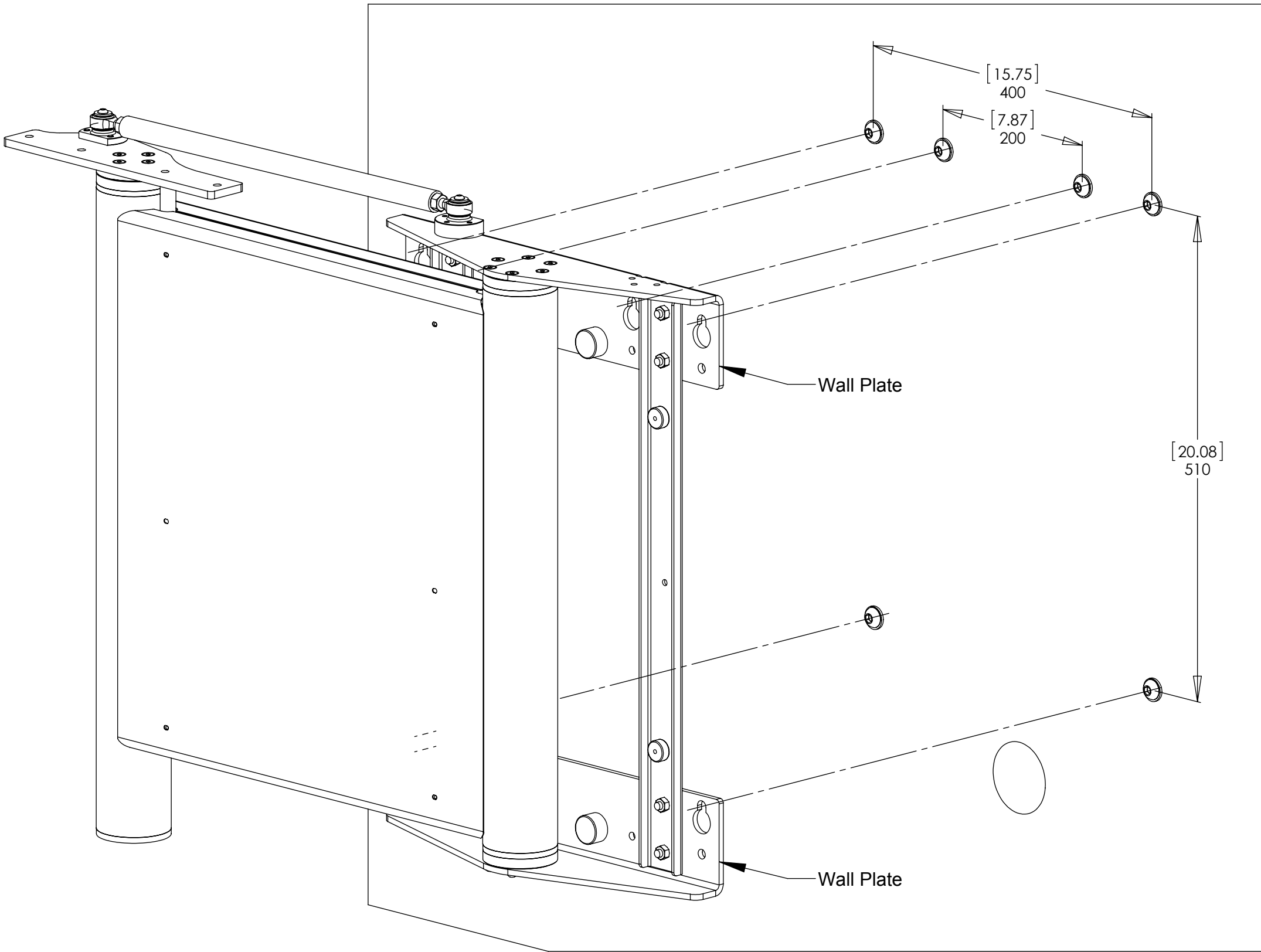


### Wall Mounting

Wall fixings should be secured in the wall before lifting the Main Arm into position.

The Main Arm can be hooked into position on the key hole slots in the Wall Plates.

Final securing fixings can be installed through the remaining holes in the Wall Plates.



Warning - The Main Arm has a total weight of more than 30Kg. It is recommended that two people lift it into position.



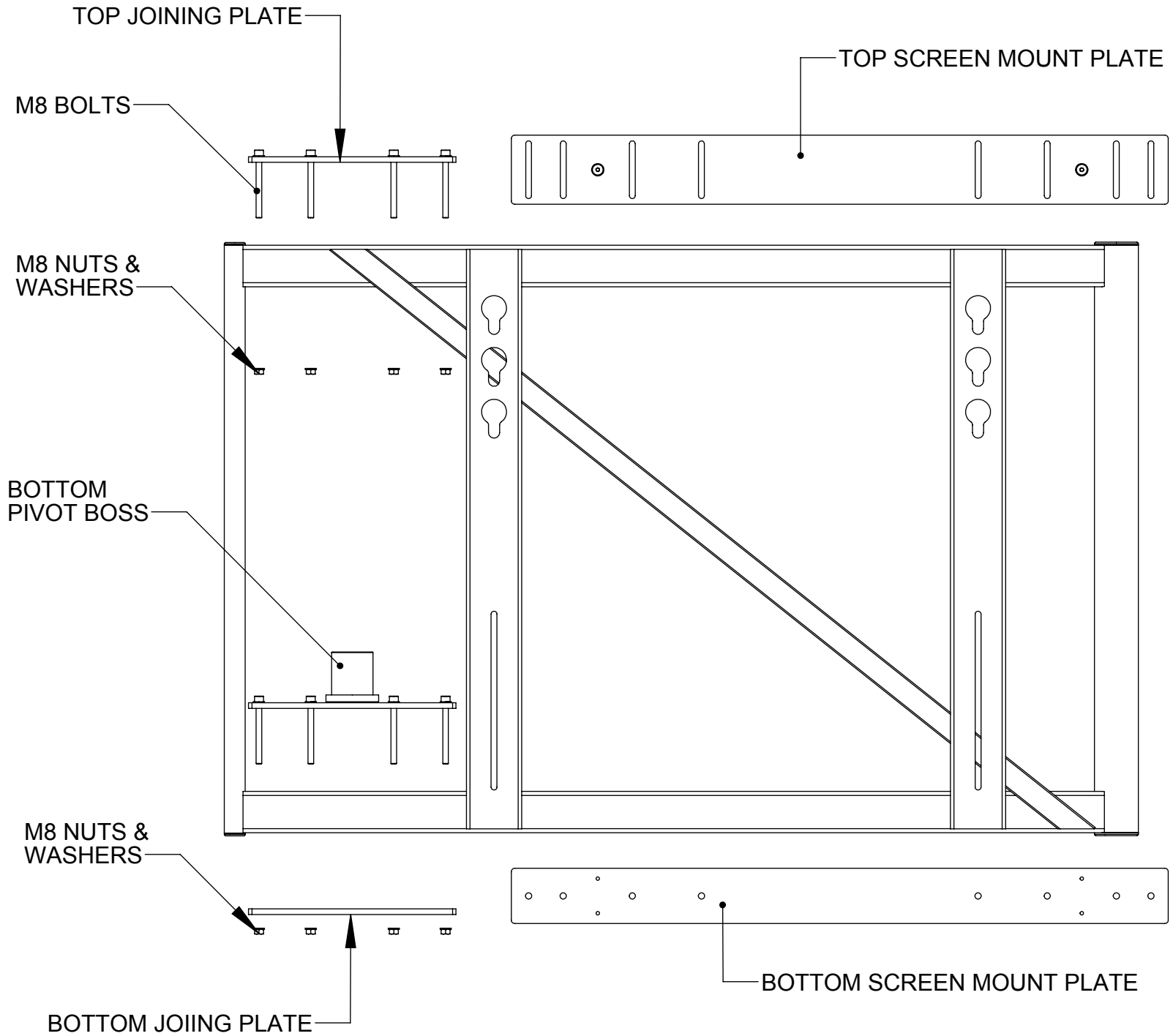
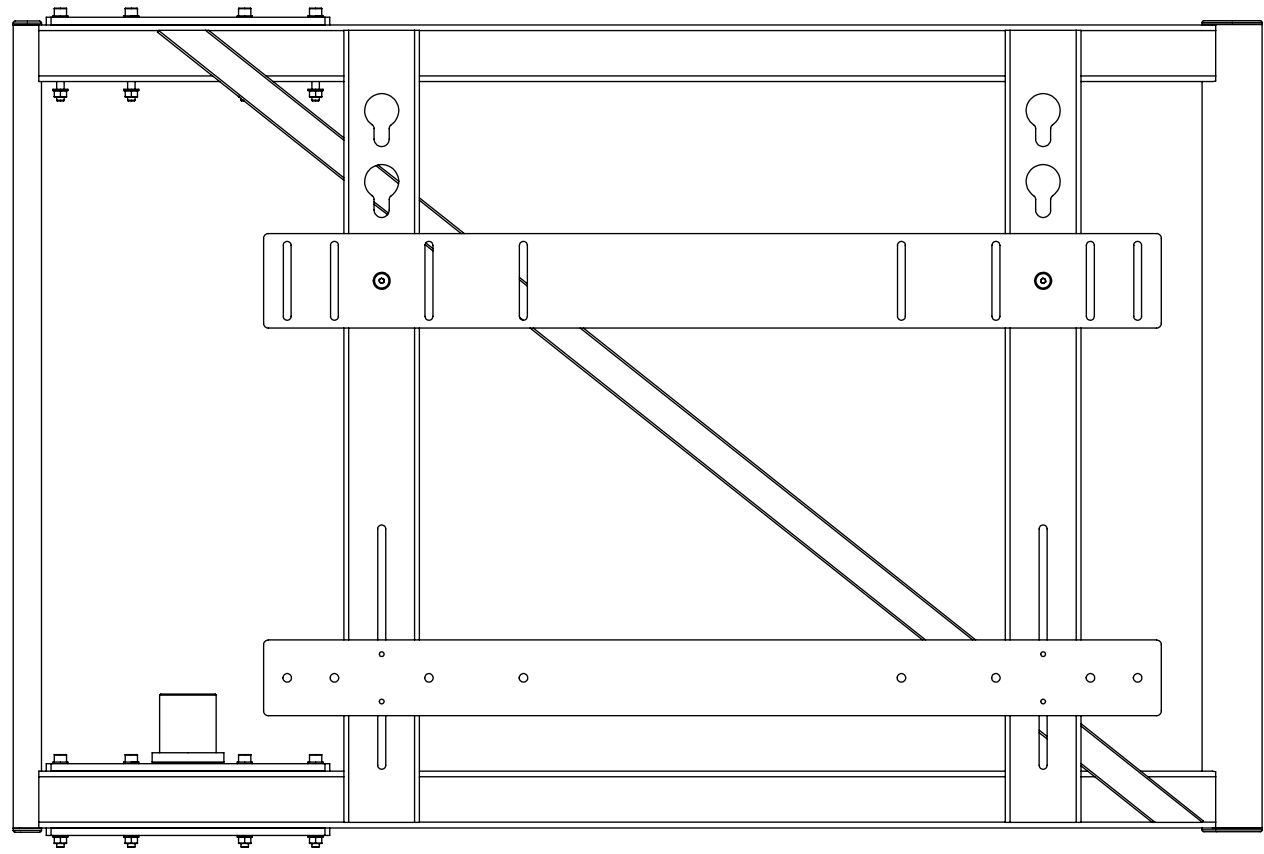
## Screen Mount Frame Preparation

### SCREEN MOUNT PLATE REMOVAL

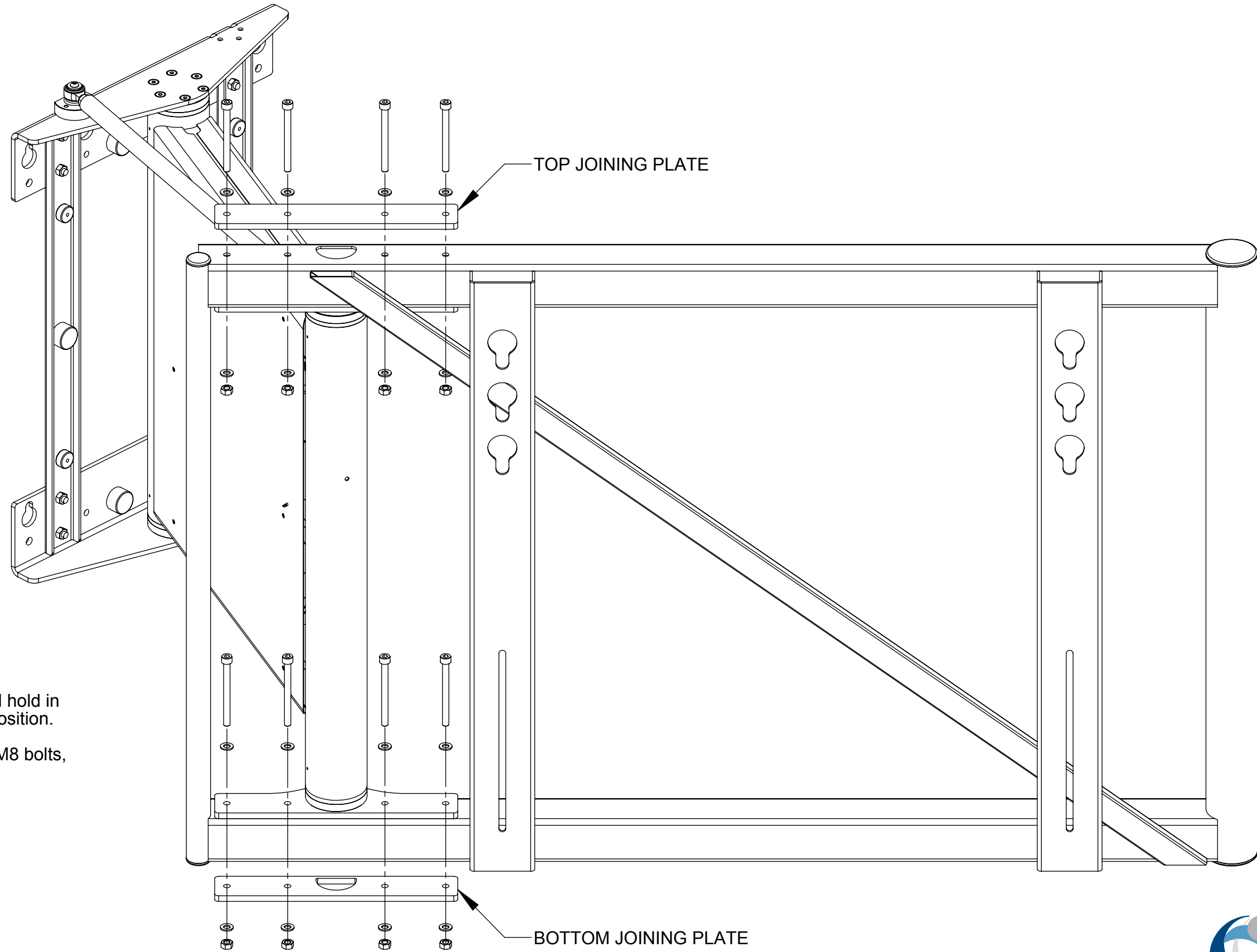
Screen Mount Plates must be removed from the Screen Mount Frame. Remove all cable ties and remove the bolts in the Bottom Screen Mount Plate.

### JOINING PLATE REMOVAL

Remove all M8 Nuts and bolts from the top and bottom of the Screen Mount Frame. These will be used to mount the Frame to the Main Arm.



## Screen Mount Frame Attachment



Insert the Bottom Pivot Boss into the Main Arm and hold in place while the Screen Mount Frame is lifted into position.

Secure the Screen Mount Frame in place with the M8 bolts, washers and nuts.

## IN & OUT Switch Adjustment

Remove both Arm Covers to gain access to switch adjustments.

### OUT SWITCH ADJUSTMENT

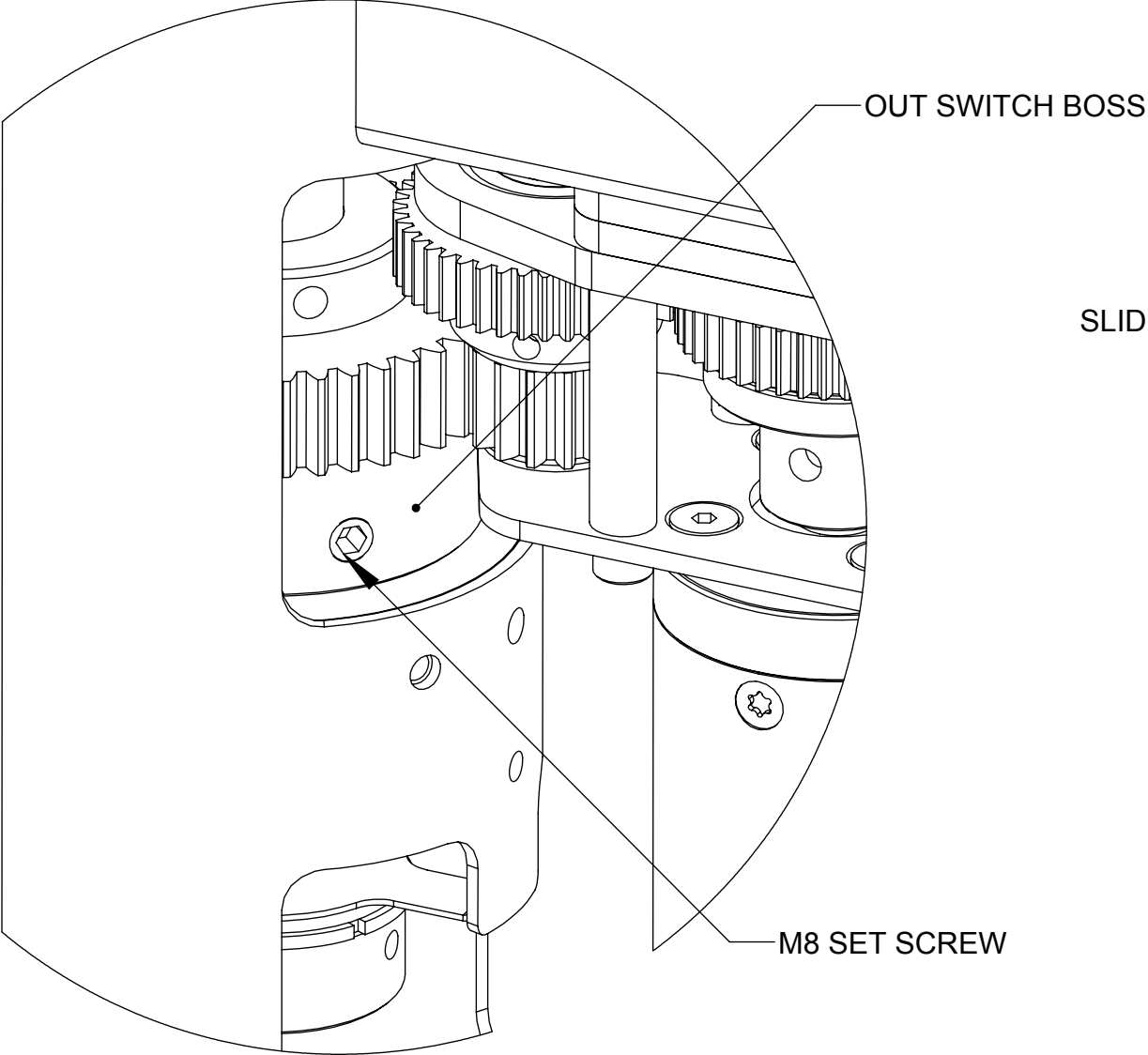
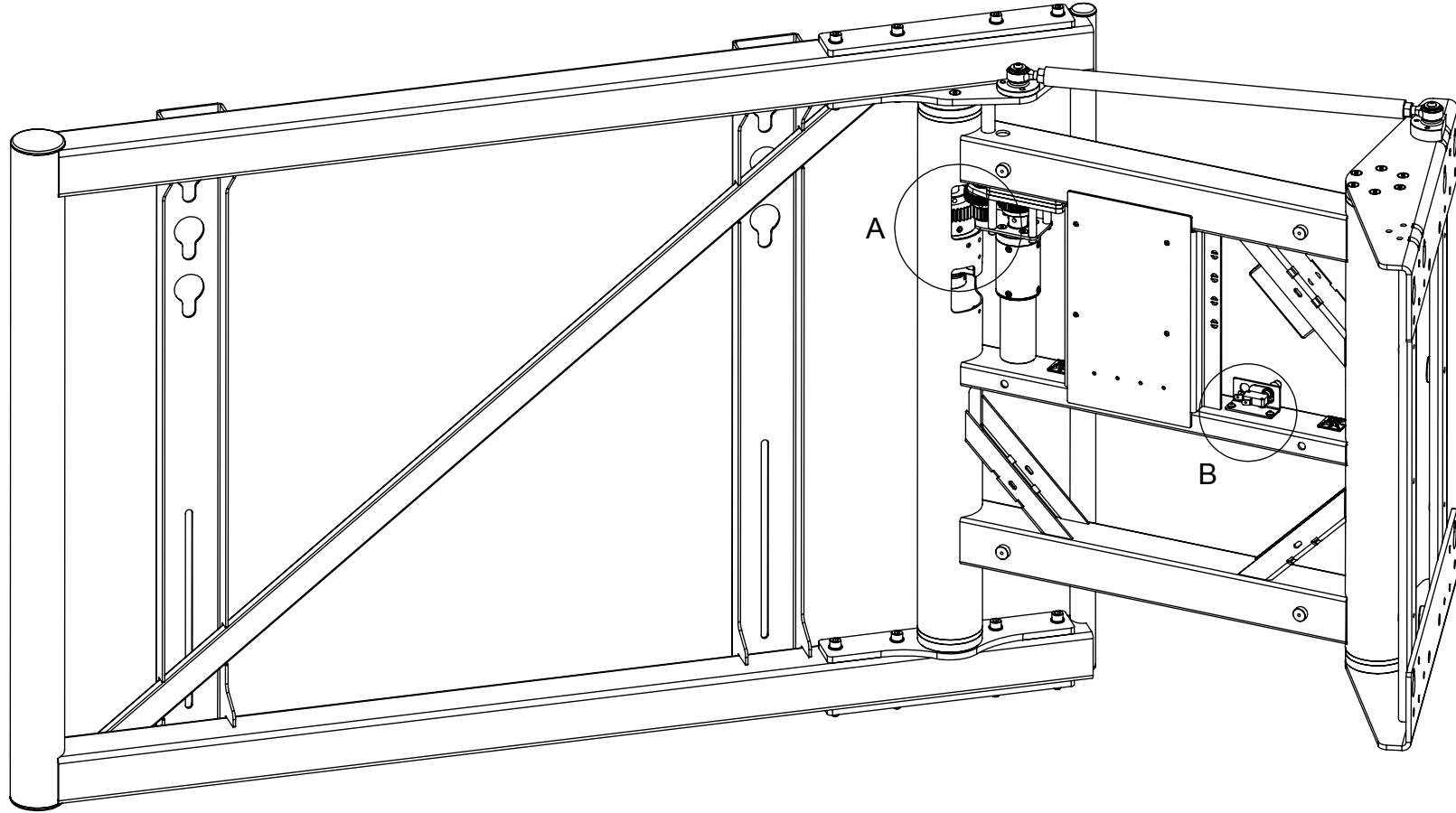
The angle of the OUT position is dictated by the Out Switch Boss.

Adjust by loosening the M8 set screw and rotating the Out Switch Boss. Tighten the M8 set screw before testing.

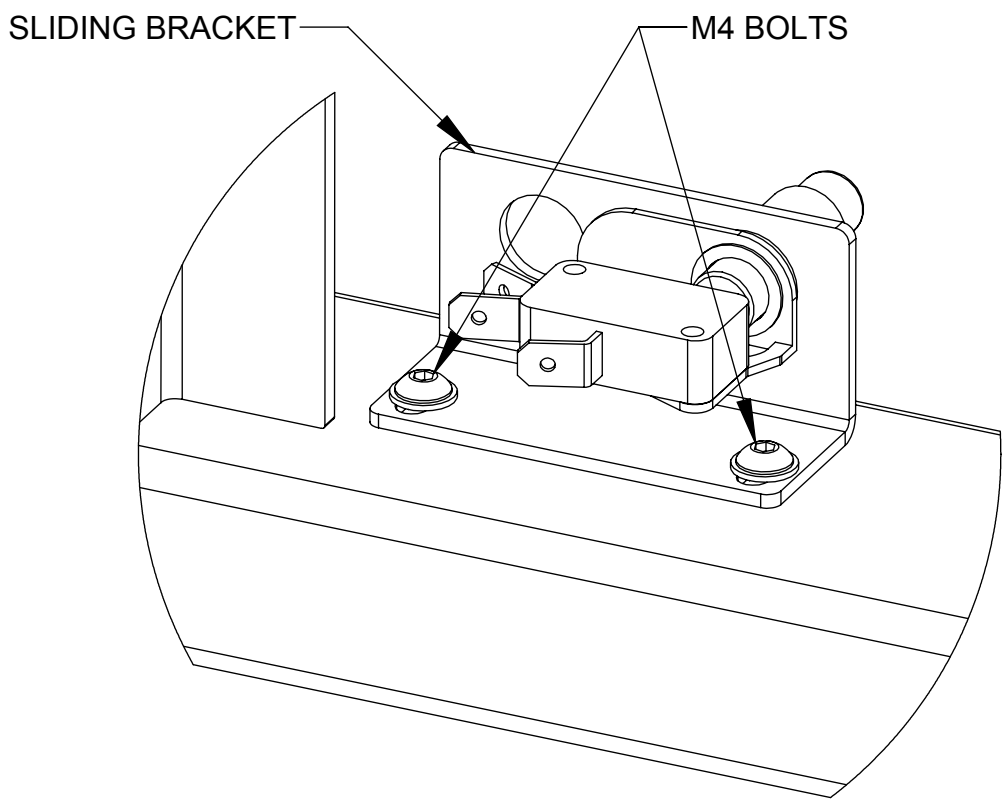
To **reduce the angle** of the OUT position, rotate the Out Switch Boss in the direction that the Screen Mount Frame advances in.

To **increase the angle** of the OUT position, rotate the Out Switch Boss in the direction that the Screen Mount Frame retracts in.

Only small adjustments should be made to the position of the Out Switch Boss.



DETAIL A



DETAIL B

### IN SWITCH ADJUSTMENT

The IN Switch is mounted to a sliding bracket.

Adjust by loosening the M4 bolts and moving the bracket. Tighten the M4 bolts before testing.

To move the IN position **closer to the wall**, slide the bracket towards the centre of the Wall Plate.

To move the IN position **further from the wall**, slide the bracket away from the centre of the Wall Plate.

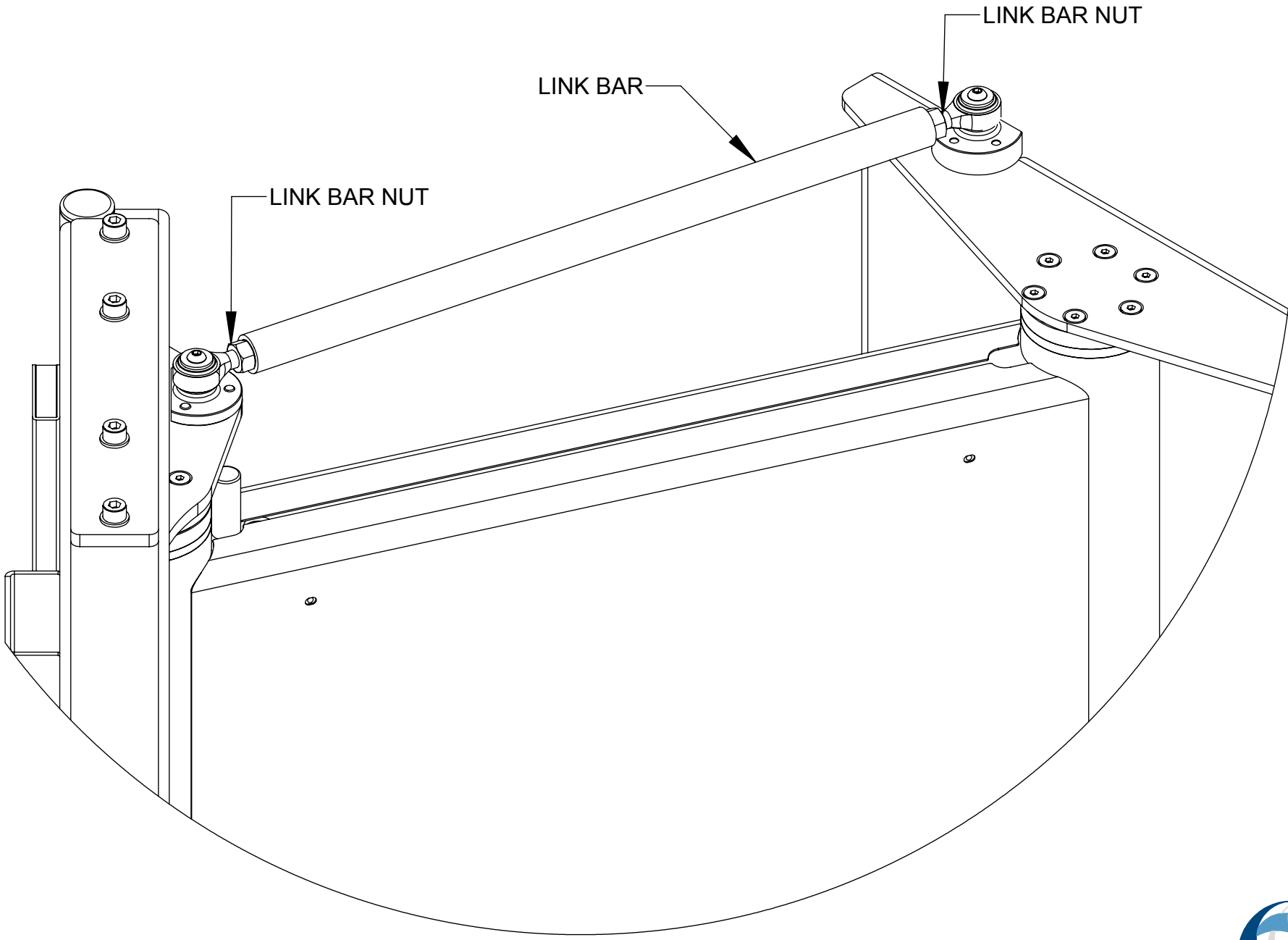
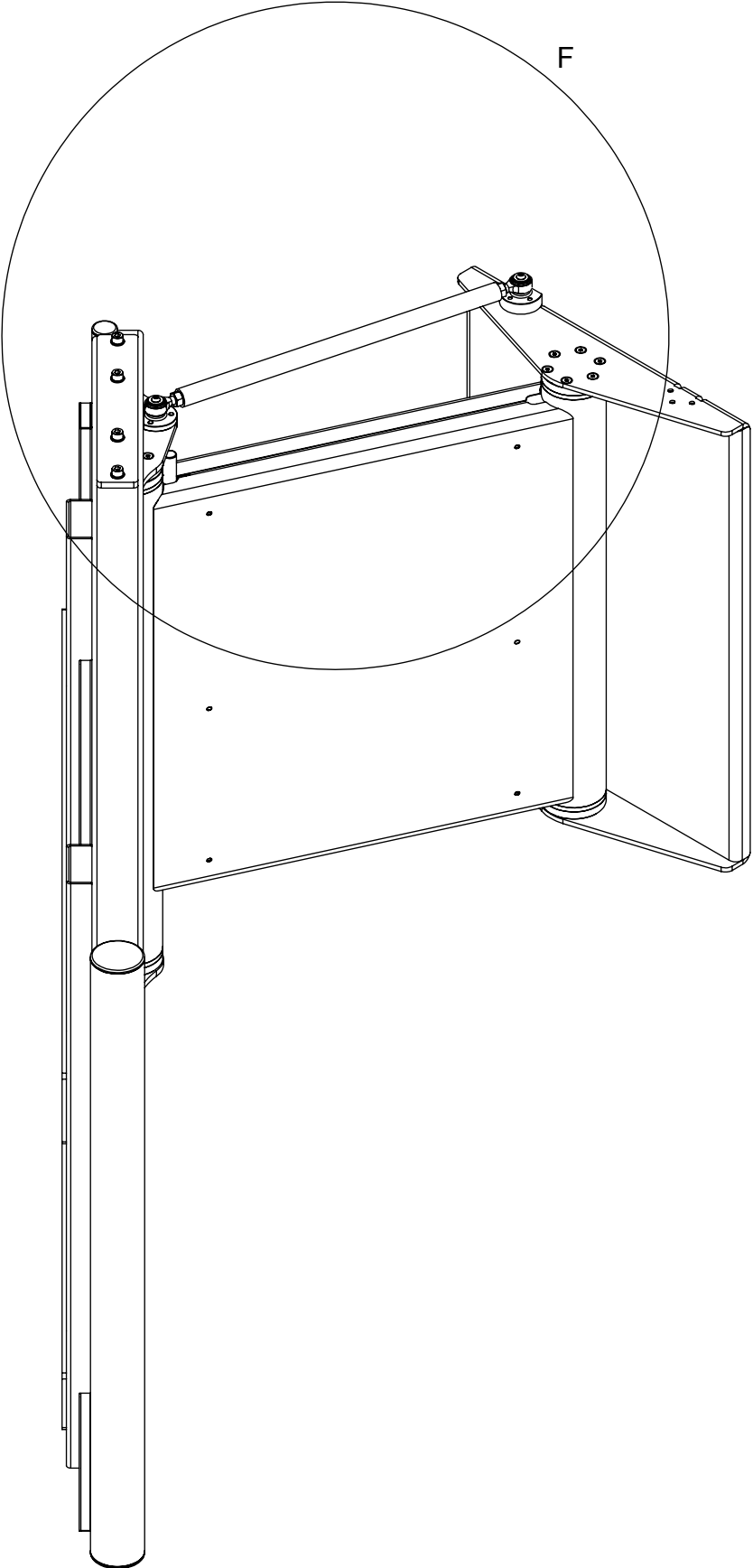
### Link Bar Adjustment

When the mechanism is in the IN position, the Screen Mount Frame should be parallel to the wall.

If the screen appears to be angled from the wall, minor adjustments can be made to correct this.

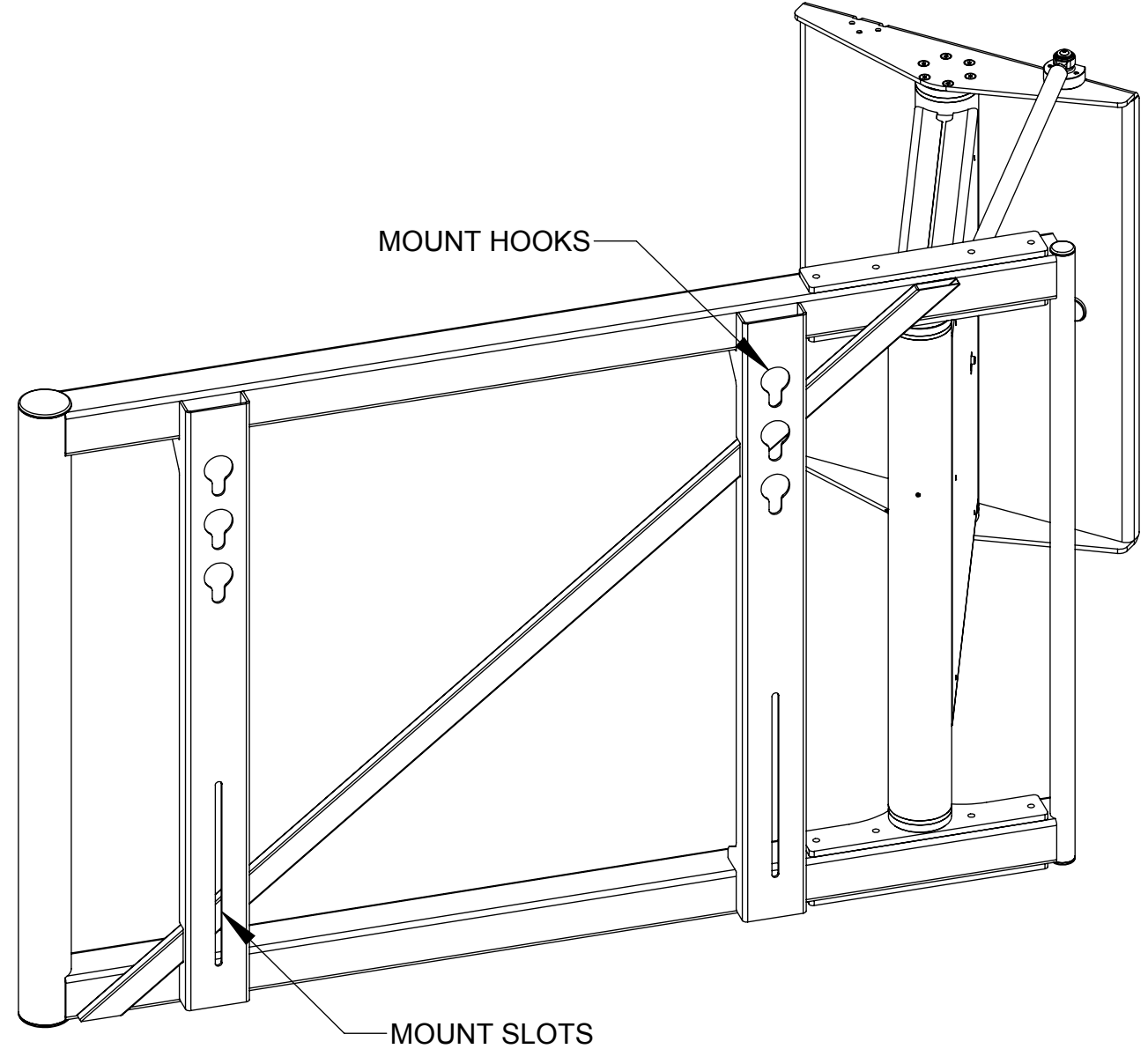
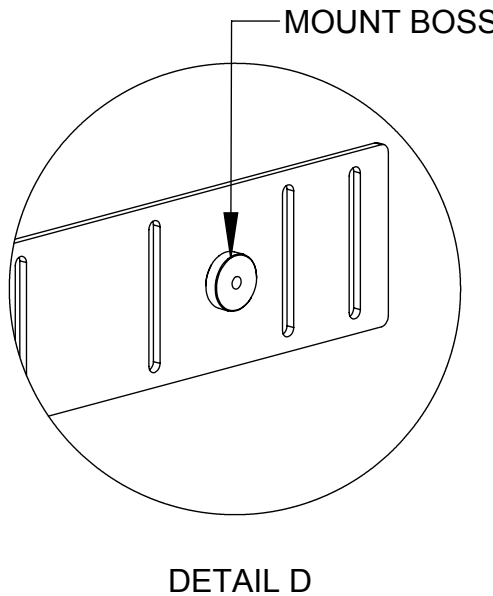
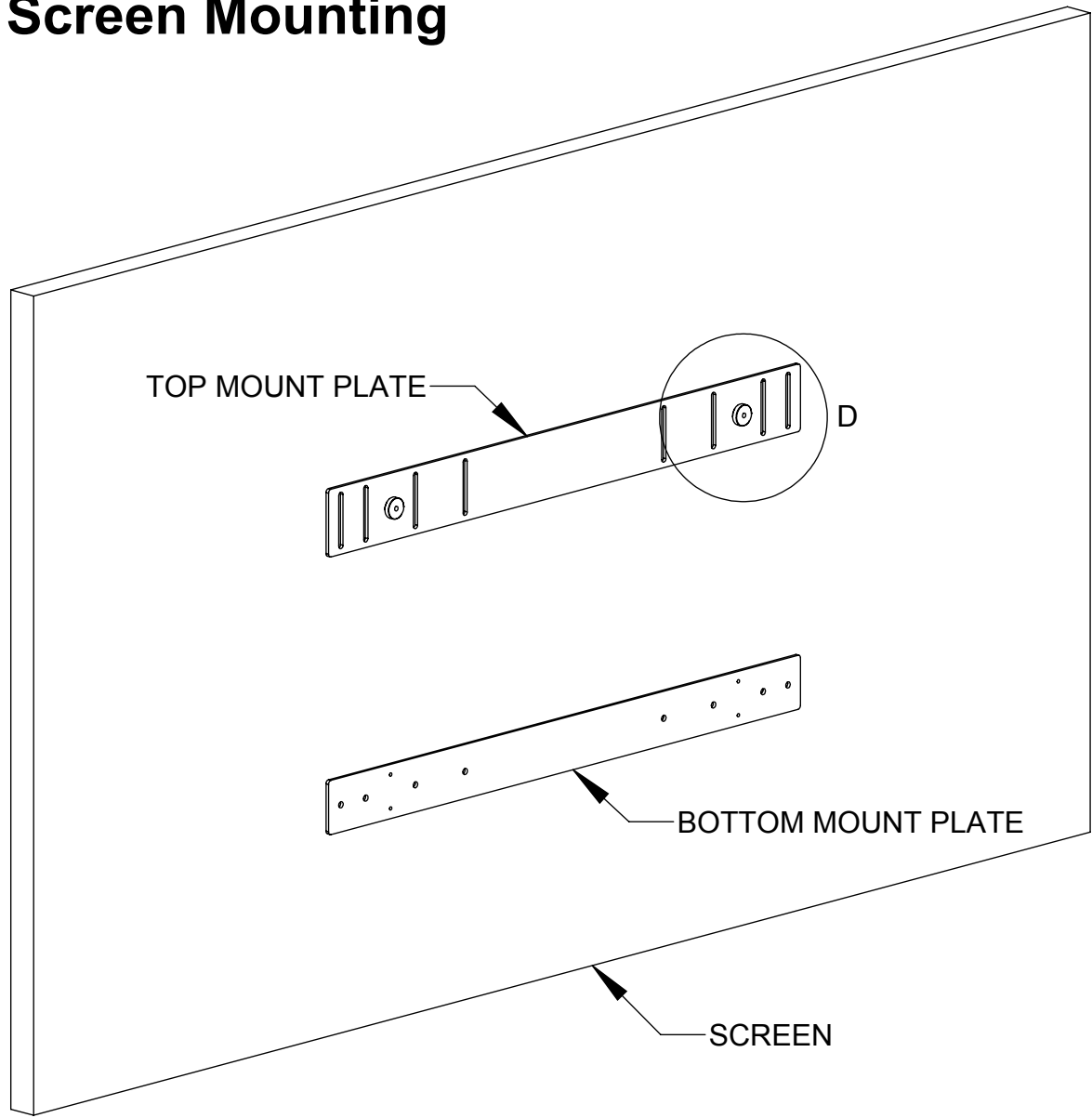
Loosen the two nuts at either end of the Link Bar. Rotate the Link Bar by hand and watch closely as the angle of the screen changes. When the screen reaches the desired angle, tighten both nuts fully.

Only small rotations are required. Adjusting the Link Bar will affect the angle of the IN and OUT positions simultaneously.



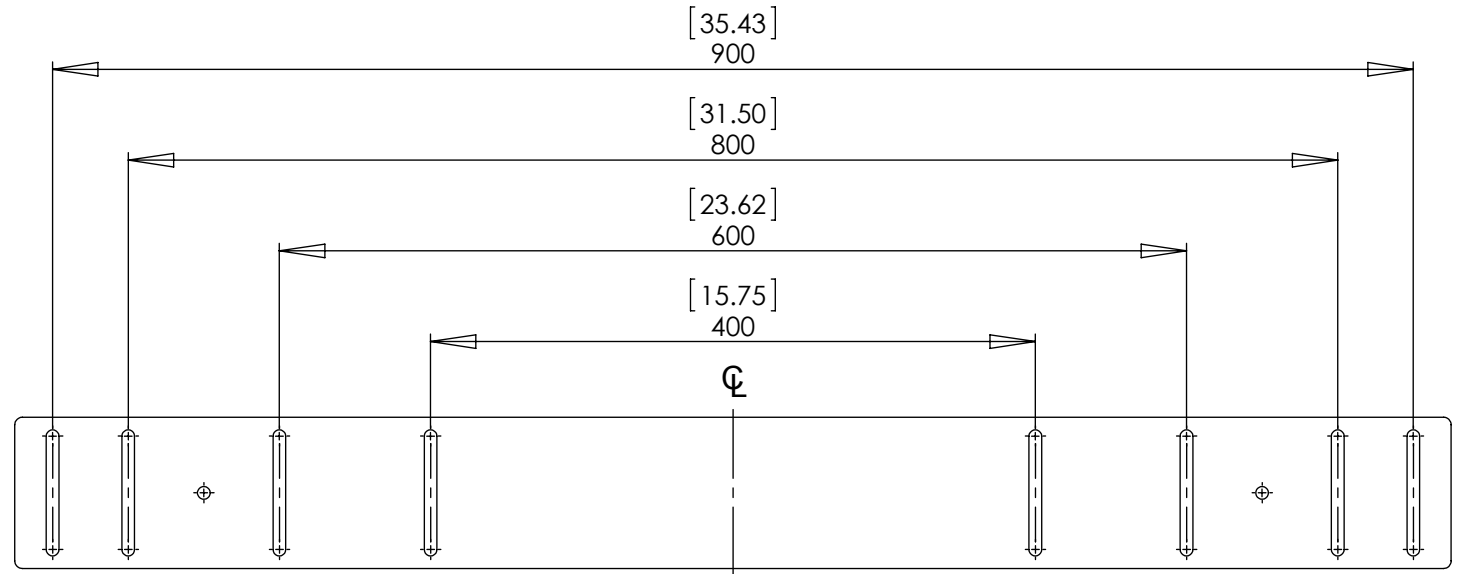
DETAIL F

## Screen Mounting



### Mounting Method

- 1 - Fix the Top and Bottom Mount Plate to the back of the screen.
- 2 - Lift the Screen into position, engaging the two Mount Bosses into the desired Mount Hooks.
- 3 - If the screen position needs adjusting, it can be removed from the mechanism and the Top Mount Plate can be re-positioned to suit. The screen can then be lifted back onto the mechanism.
- 4 - Secure the Bottom Mount Plate through the Mount Slots.



The mechanism is suitable for the following screen mount patterns:

- 900x600
- 800x400
- 600x400
- 400x400

Custom solutions for alternative mount patterns can be provided.



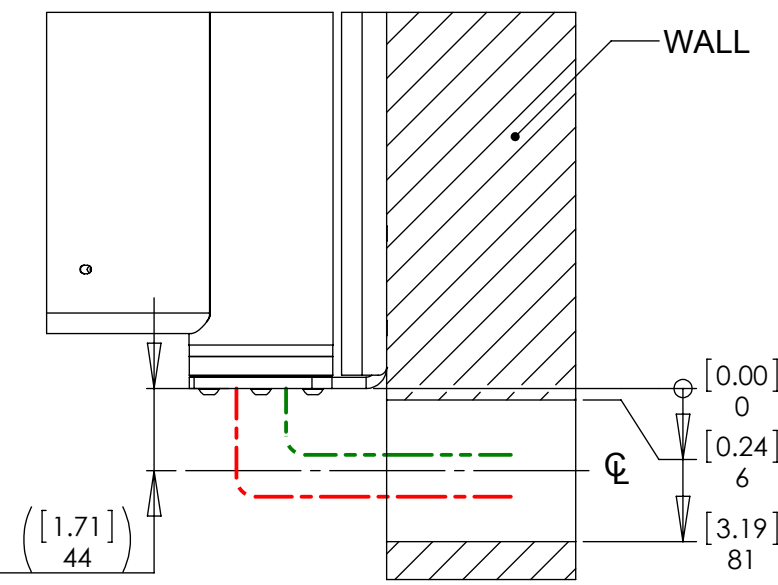
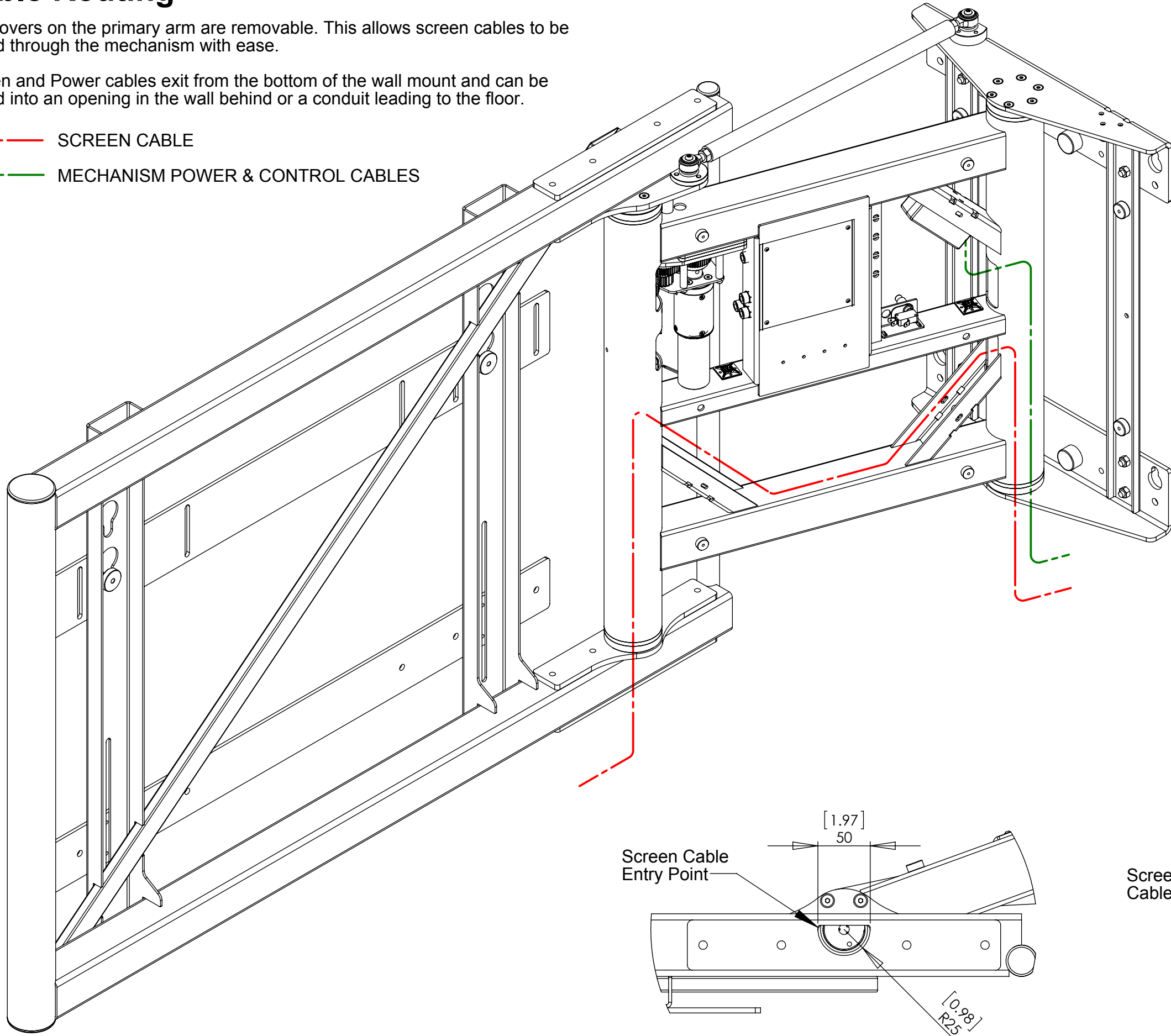


## Cable Routing

The covers on the primary arm are removable. This allows screen cables to be routed through the mechanism with ease.

Screen and Power cables exit from the bottom of the wall mount and can be routed into an opening in the wall behind or a conduit leading to the floor.

- SCREEN CABLE
- MECHANISM POWER & CONTROL CABLES



Screen and Mechanism cables must enter an opening in the wall within the dimensions specified above.

Cables that hang lower than 81mm [3.2] beneath the Wall Plate are at risk of damage as the mechanism closes.

