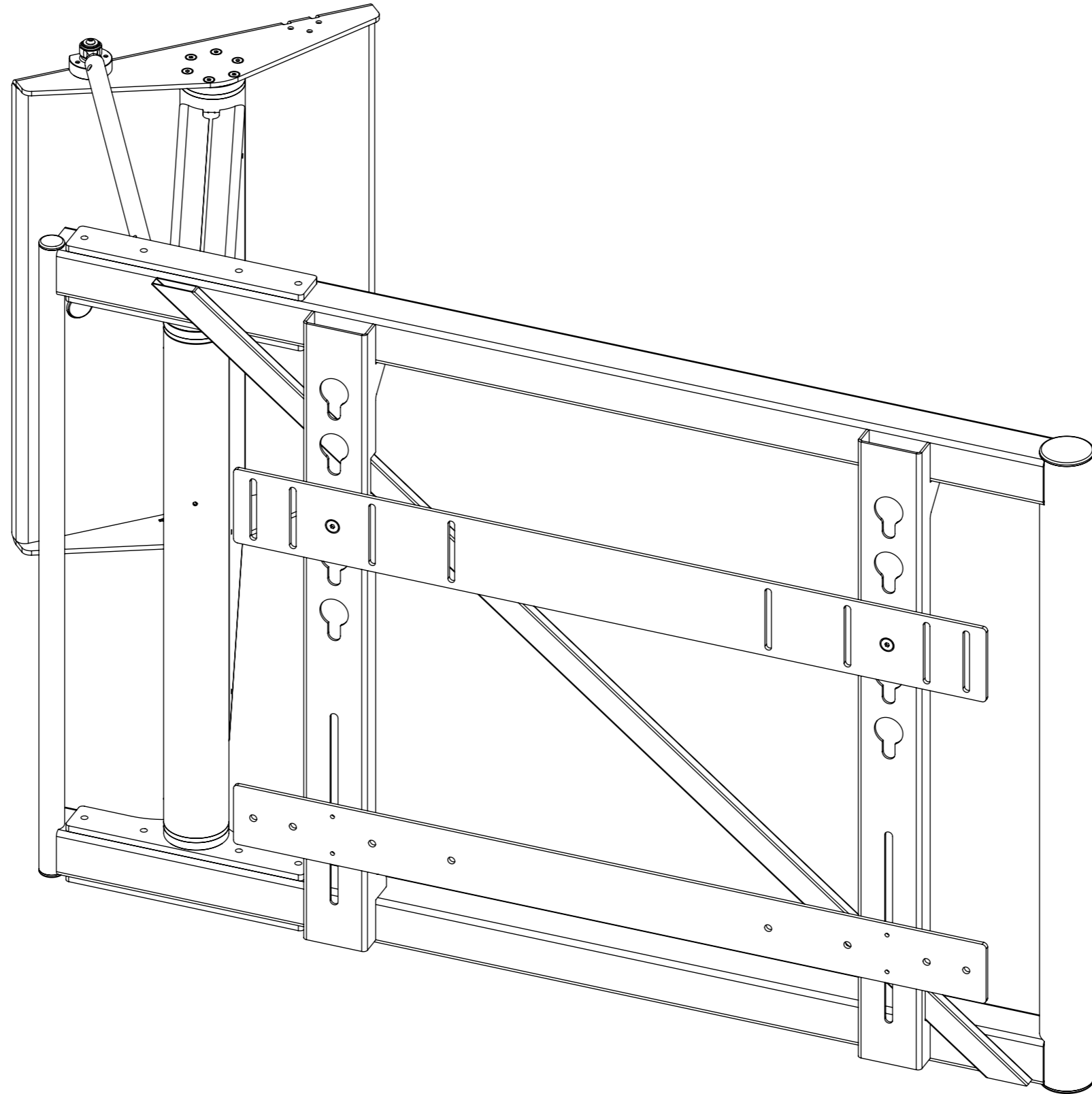


# HSE90

## HEAVY DUTY ELECTRIC SWIVEL MECHANISM



future automation



# HSE90

## HEAVY DUTY ELECTRIC SWIVEL MECHANISM



future automation

SPECIFICATION	MEASUREMENTS
Product Dimensions	1321.8mm (52.04") x 865.5mm (34.07") x 146.5mm (5.77")
Maximum Screen Size	2220mm (87.4") W @ 90° - 2600mm (102.4") W @ 55°
Maximum Weight Capacity	125Kg (276lb)
Maximum Speed	25mm/s
Maximum Extension From Wall	1143mm (45.0") to screen centre
Depth From Wall	147mm (5.8")
Product Weight	75Kg (165lb)
Packaging Dimensions	149mm (58.66") x 103mm (40.55") x 41mm (16.14")
Shipping Weight	116Kg (256lb)
Maximum Rotation	90° - one direction (CW or CCW)
Movement Type	Motorised
Power Supply Required	110V - 240V AC
Power Consumption Max.	120W
Power Consumption Standby	3W
Mounting Patterns Supported	VESA 900, 800, 600, 400 W x 600, 400 H
Control Options	IR Remote, RS232, Contact Closure
Product Options / Features	Specific B&O and Loewe mounts / adapters, Custom RAL paint finishes, Marine suitable version
Package Contents	Mechanism, IR remote control
Marine Suitable	No

# HSE90



future automation

## HEAVY DUTY ELECTRIC SWIVEL MECHANISM

### DESIGN HIGHLIGHTS

An extremely robust structure provides a reliable and sturdy platform for a large screen to be rotated between multiple viewing angles.

A super quiet motion is achieved through careful selection of components and a design that minimises friction and wear.

A powerful motor and a high quality gearbox provide a smooth and consistent movement between viewing angles.

Up to 1143mm [45.0] of extension can be achieved from the wall to the screen centre.

Favourite viewing positions can be programmed via the remote control.

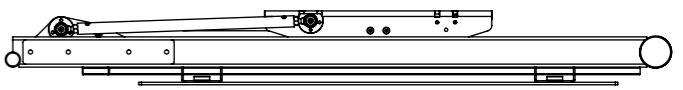
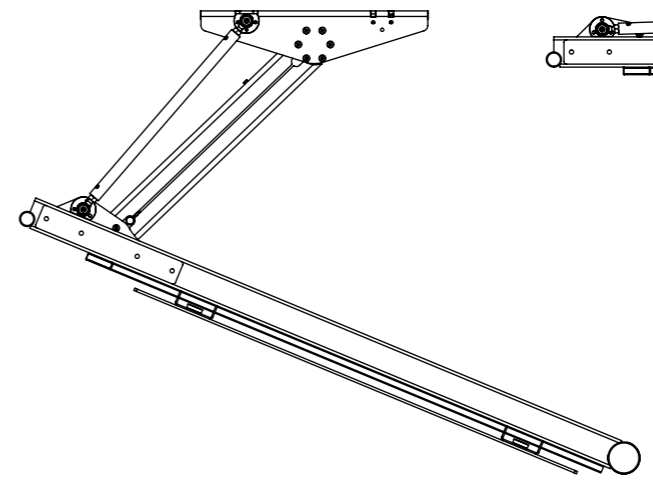
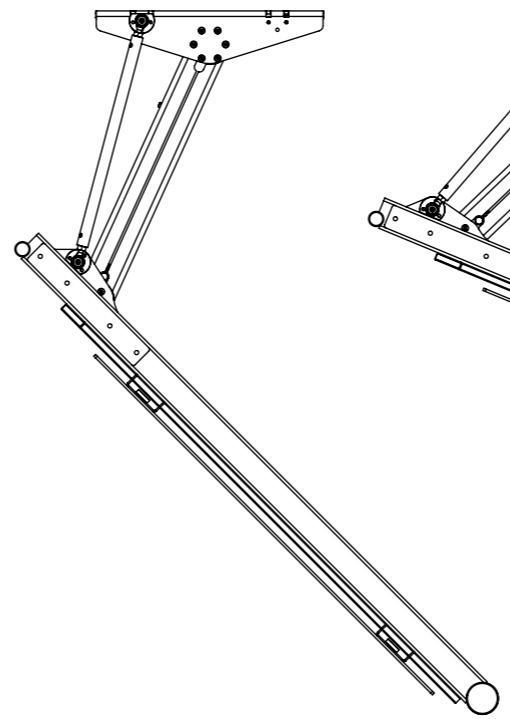
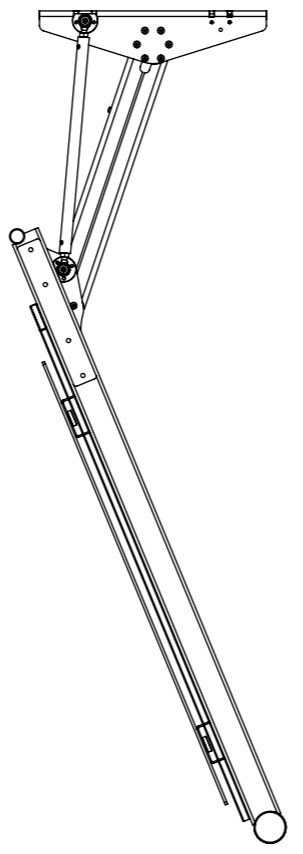
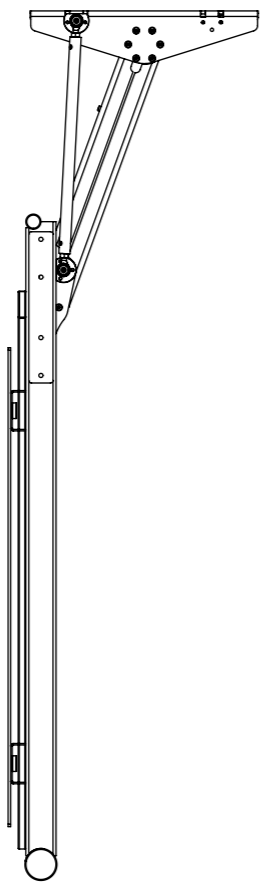
A highly adjustable screen mounting system allows for a wide range of large screens to be specified.

Magnetic wall covers provide a simple method of hiding all wall fixings.

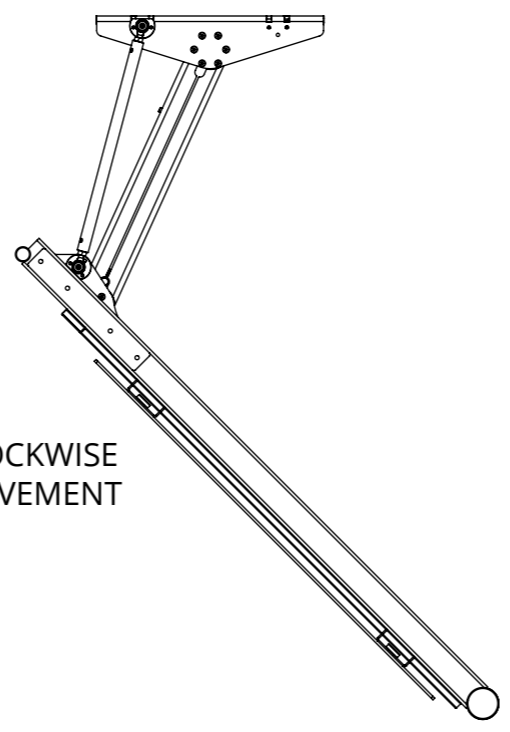
Power and signal cables for the screen and mechanism can be concealed within the bracket.

Removable arm covers allow for easy installation and routing of cables, whilst giving a neat and tidy finish.

The mechanism is available with either a clockwise or counterclockwise rotation.

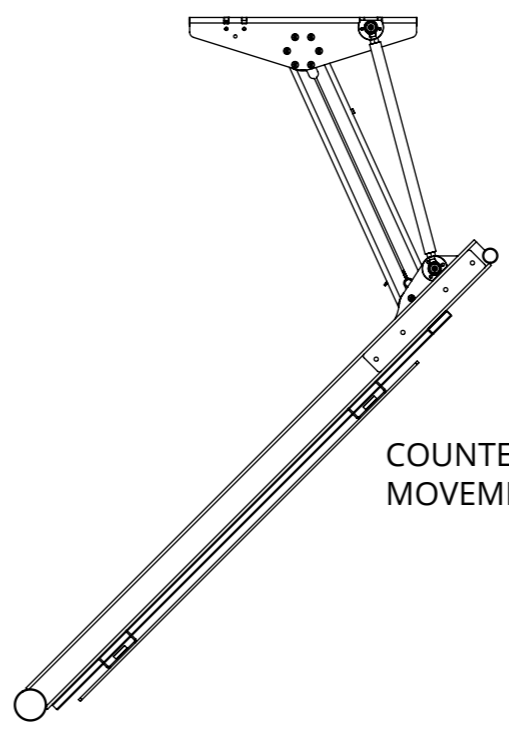


**Order Code  
HSE90-CW**



CLOCKWISE  
MOVEMENT

**Order Code  
HSE90-CCW**



COUNTER-CLOCKWISE  
MOVEMENT

# HSE90

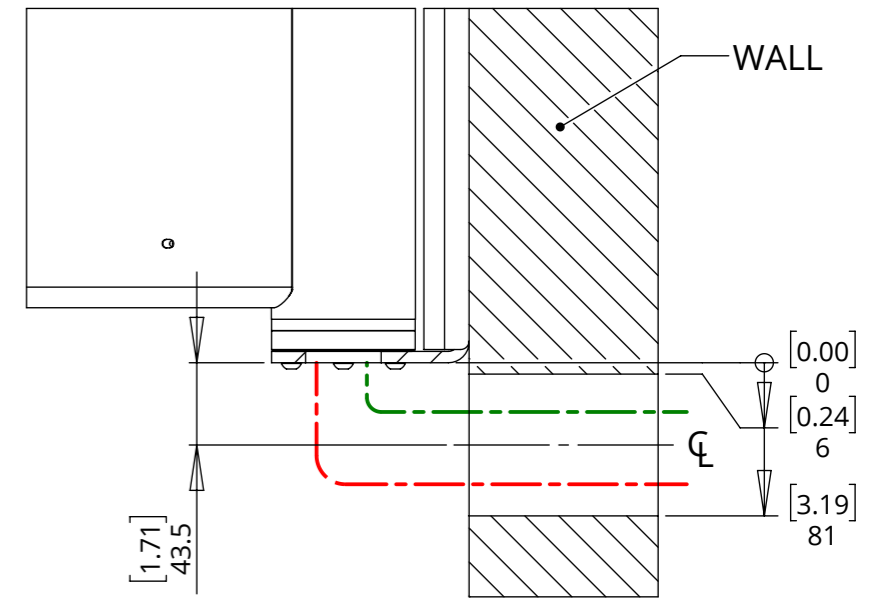
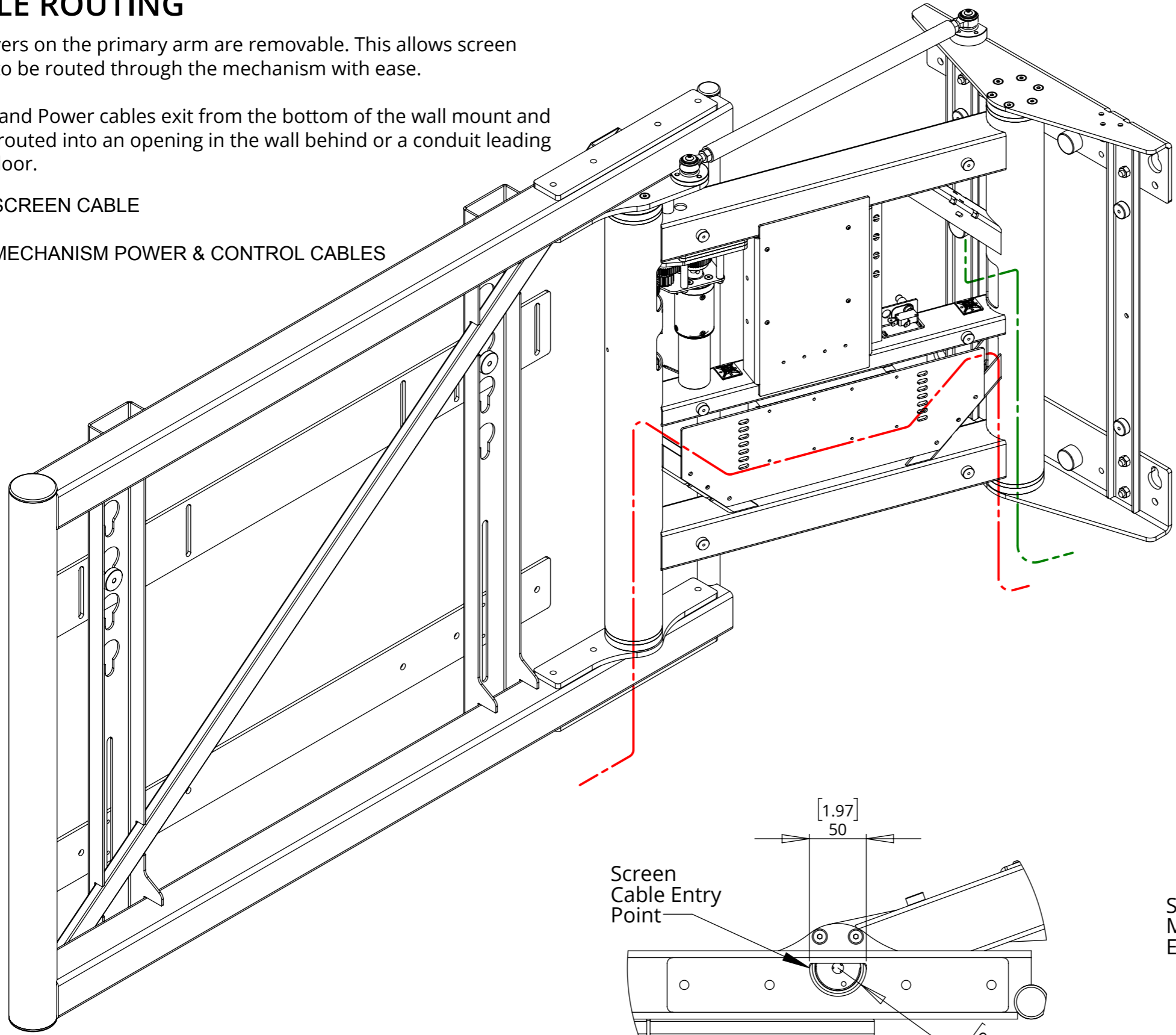
## HEAVY DUTY ELECTRIC SWIVEL MECHANISM

### CABLE ROUTING

The covers on the primary arm are removable. This allows screen cables to be routed through the mechanism with ease.

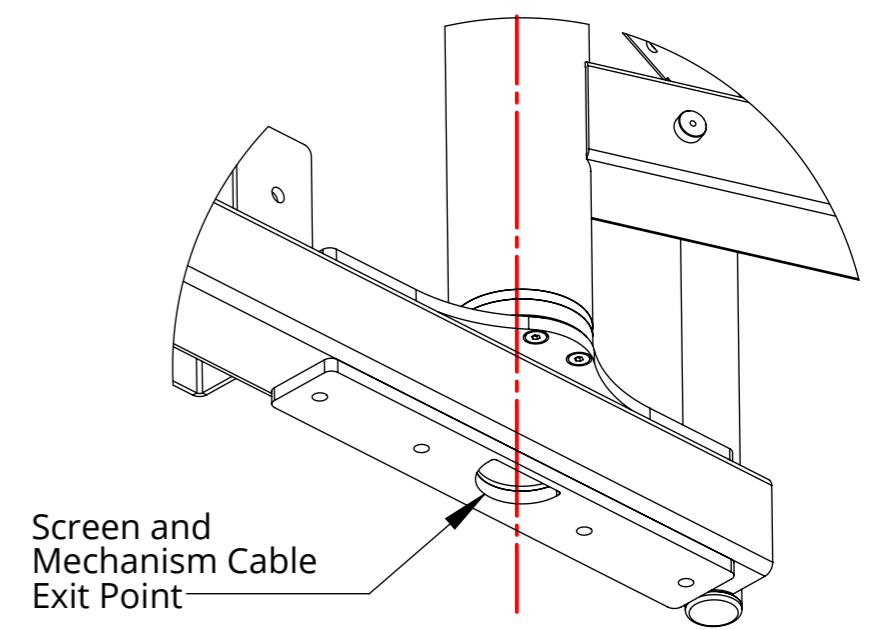
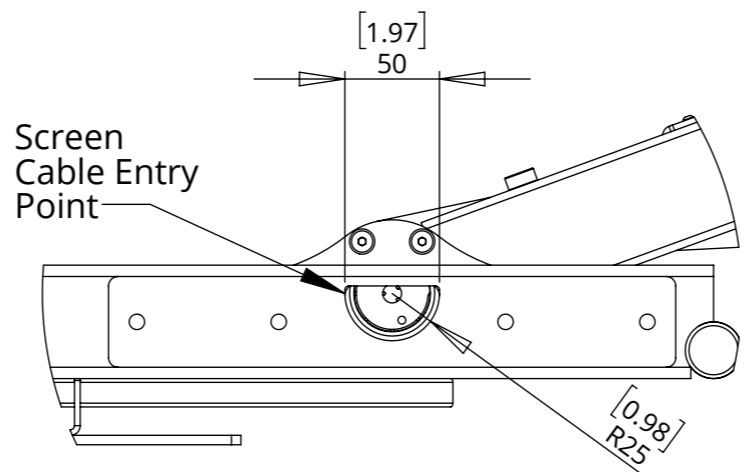
Screen and Power cables exit from the bottom of the wall mount and can be routed into an opening in the wall behind or a conduit leading to the floor.

- SCREEN CABLE
- MECHANISM POWER & CONTROL CABLES



Screen and Mechanism cables must enter an opening in the wall within the dimensions specified above.

Cables that hang lower than 81mm [3.2] beneath the Wall Plate are at risk of damage as the mechanism closes.



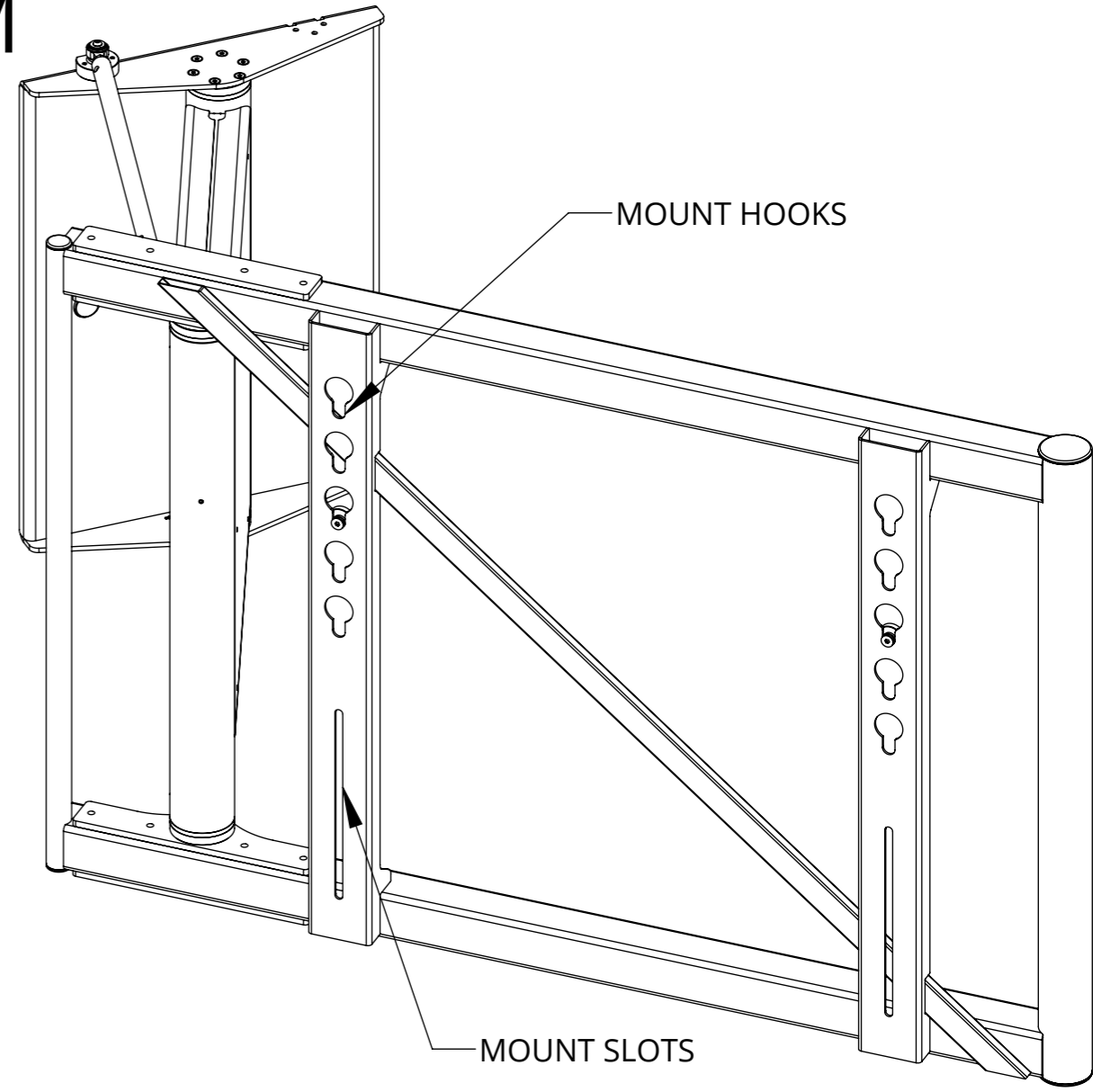
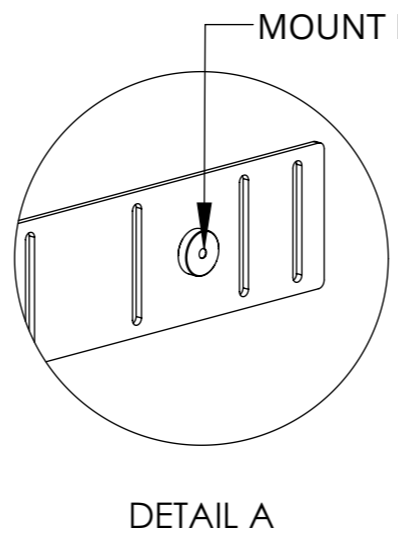
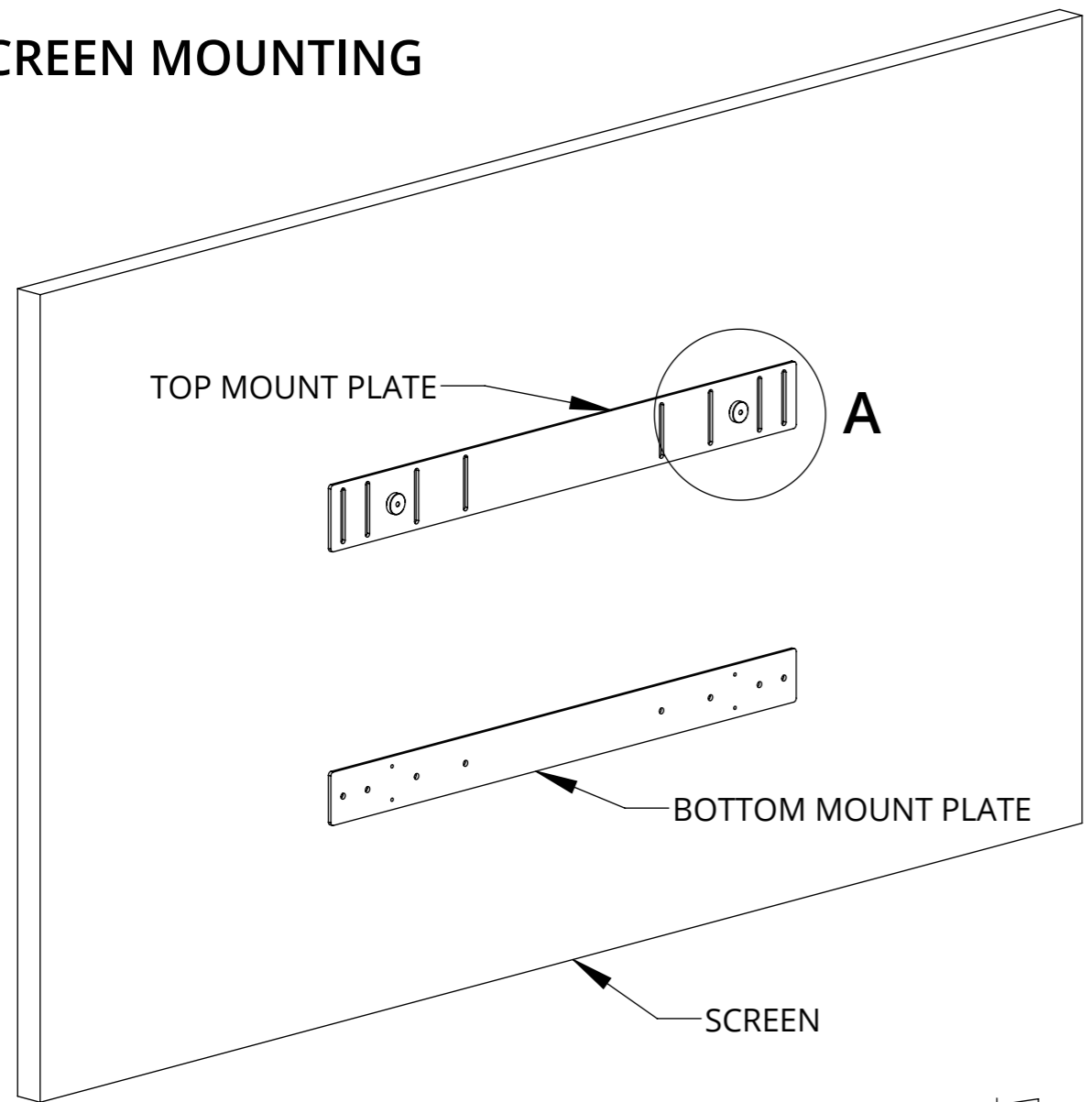
# HSE90

## HEAVY DUTY ELECTRIC SWIVEL MECHANISM



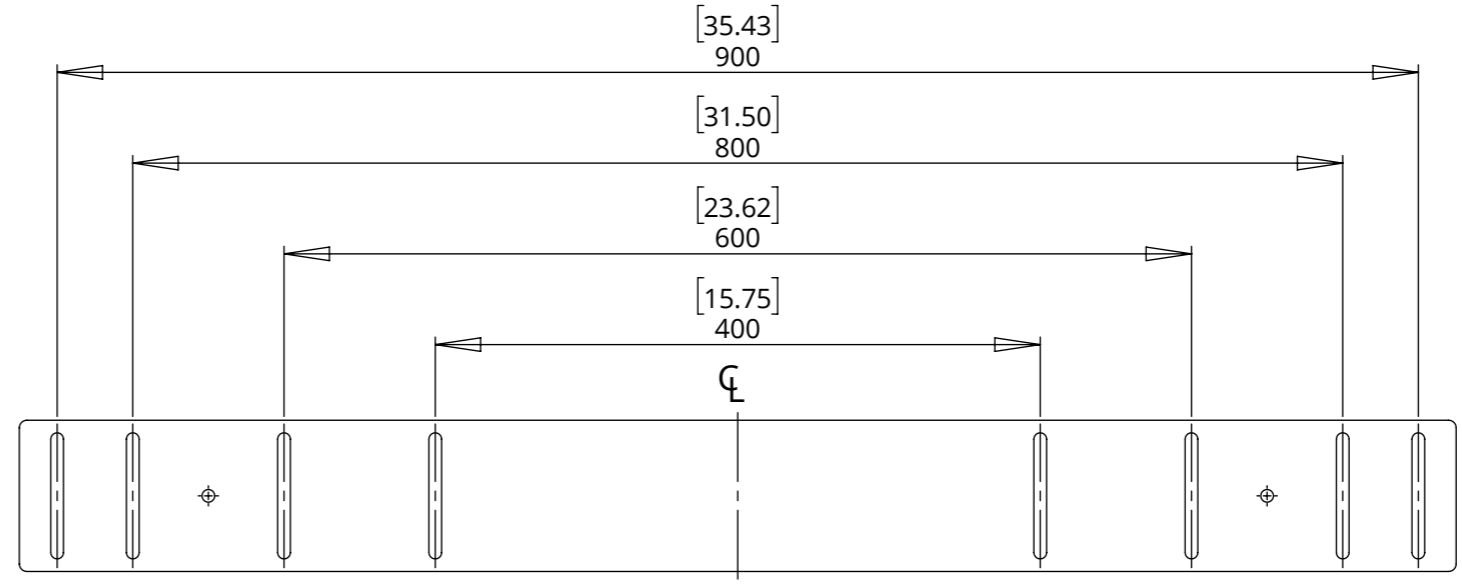
future automation

### SCREEN MOUNTING



#### Mounting Method

- 1 - The Top and Bottom Mount Plate are fixed to the back of the screen.
- 2 - The Screen is lifted into position, engaging the two Mount Bosses into the desired Mount Hooks.
- 3 - If the screen position needs adjusting, it can be removed from the mechanism and the Top Mount Plate can be re-positioned to suit. The screen can then be lifted back onto the mechanism.
- 4 - The Bottom Mount Plate is secured through the Mount Slots.



The mechanism is suitable for the following screen mount patterns:  
 900x600  
 800x400  
 600x400  
 400x400  
 Custom solutions for alternative mount patterns can be provided

# HSE90

## HEAVY DUTY ELECTRIC SWIVEL MECHANISM

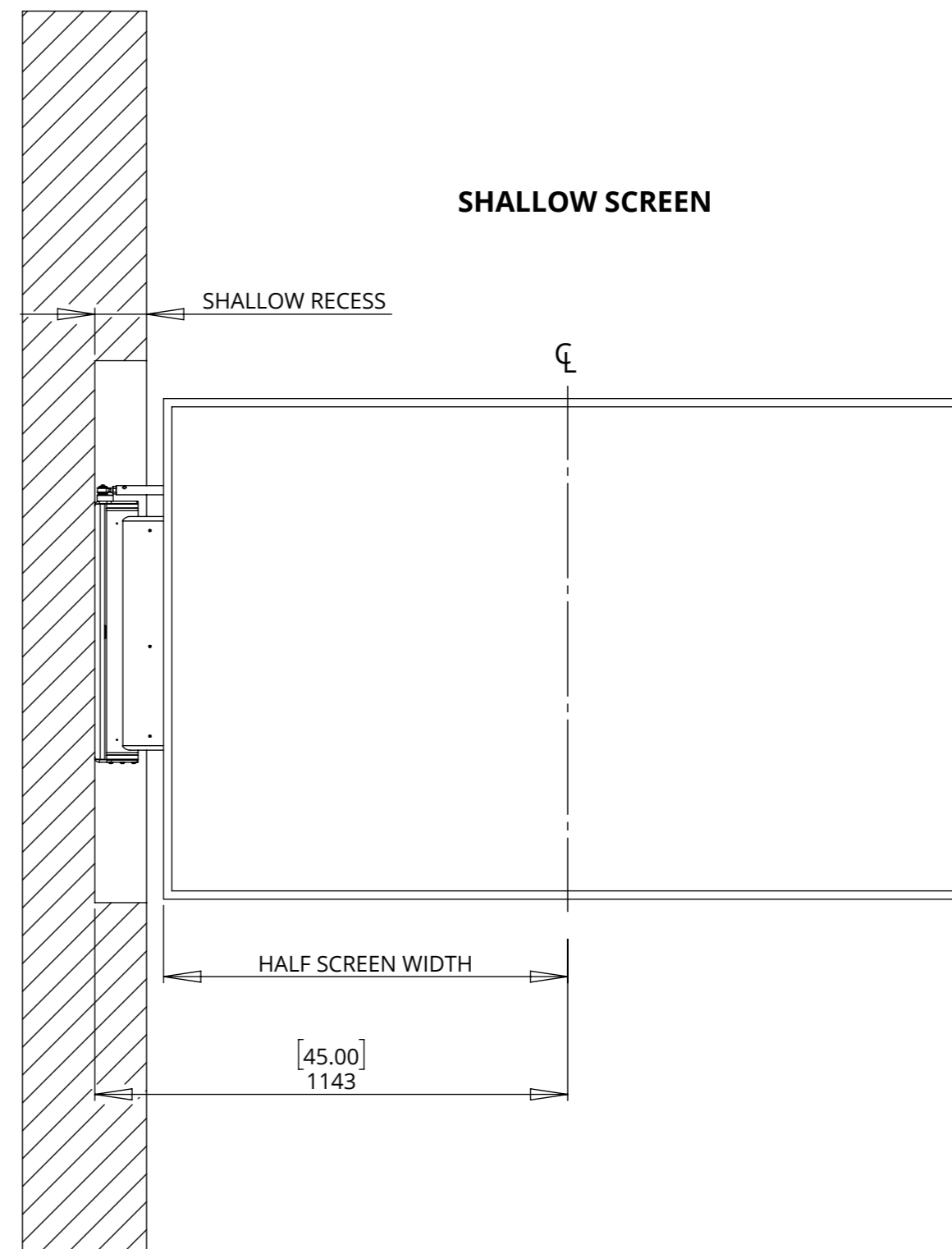
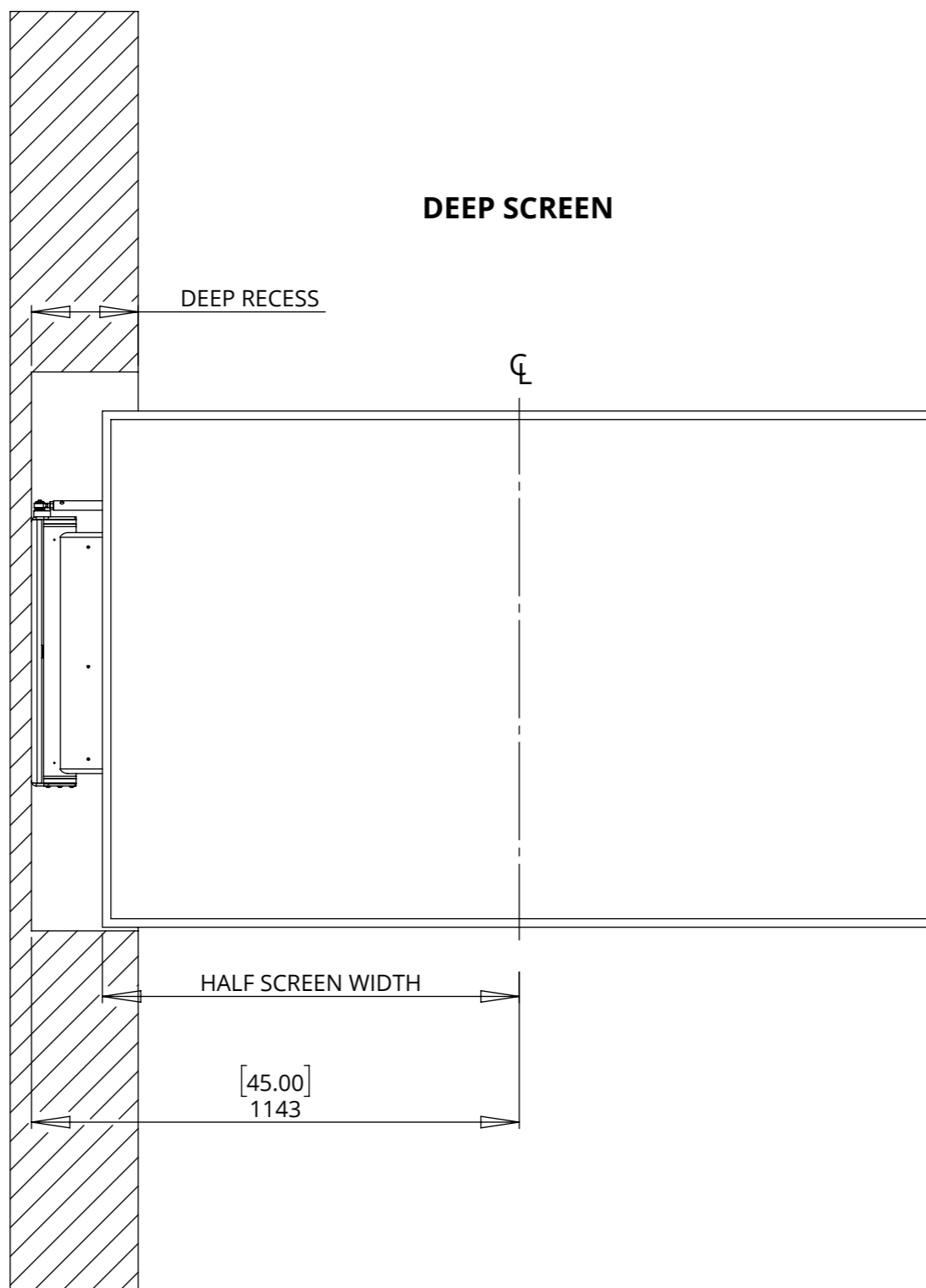


### RECESS MOUNTING

Screen dimensions must be carefully considered when mounting the mechanism in a recess.

Deeper screens will require a deeper recess which may obstruct part of the screen at the full 90° extension.

If the full 90° extension is not required, this may not be an issue



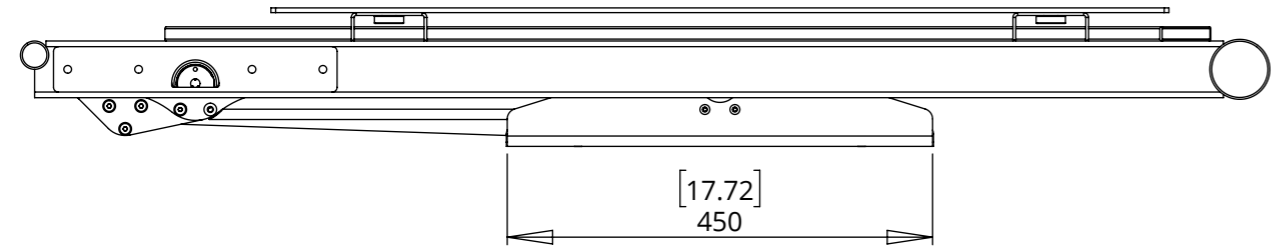
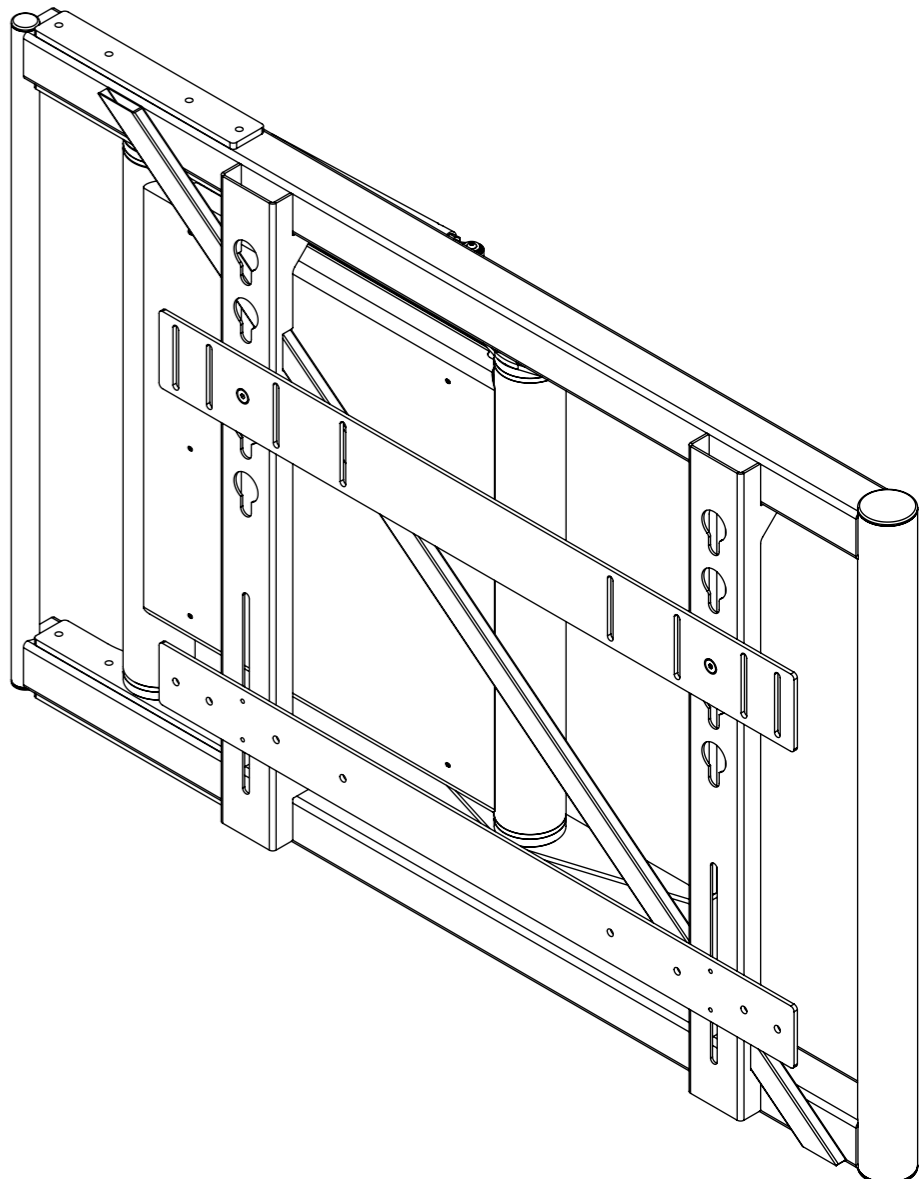
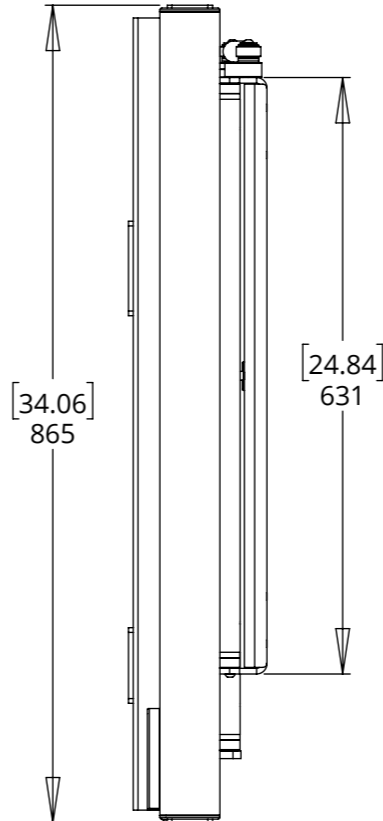
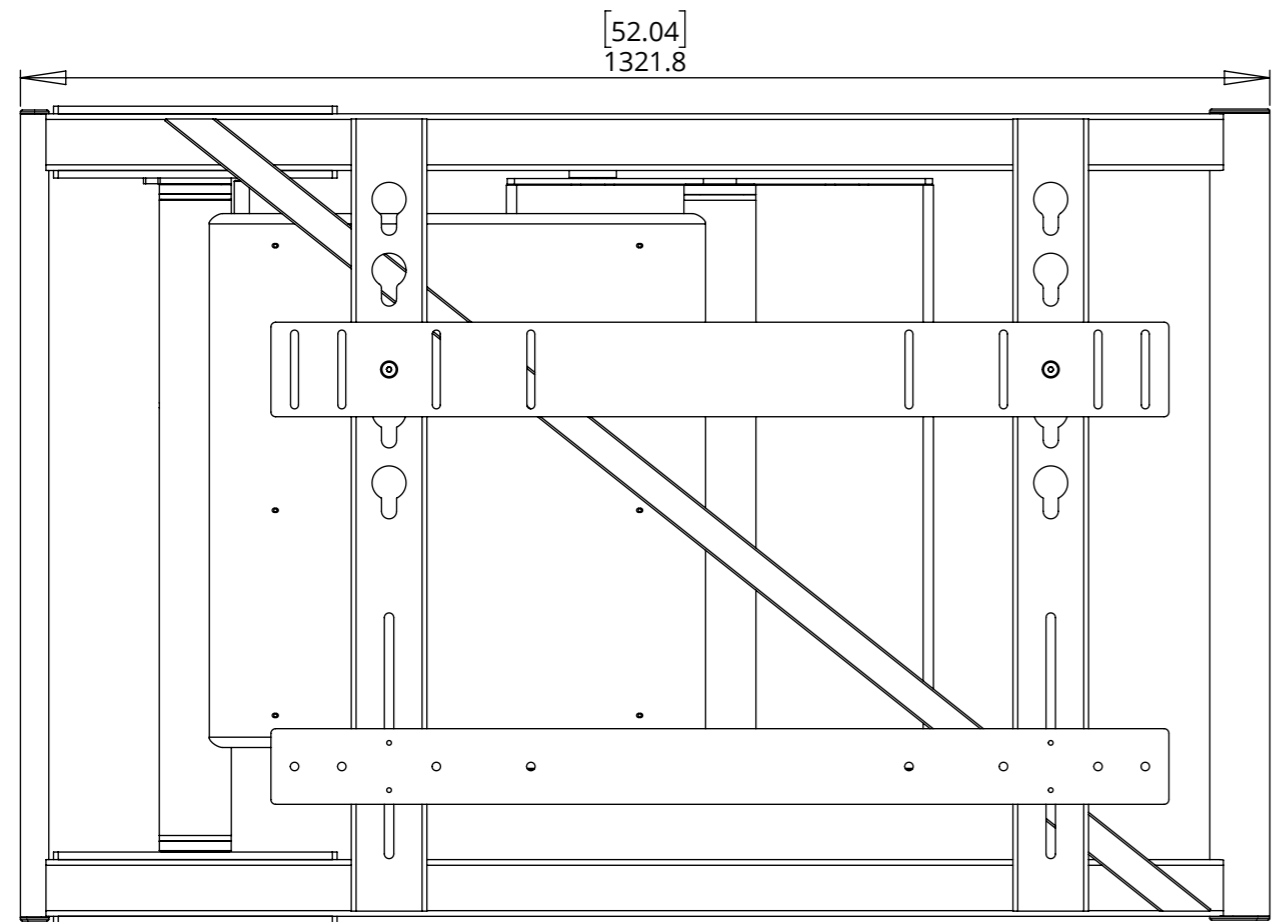
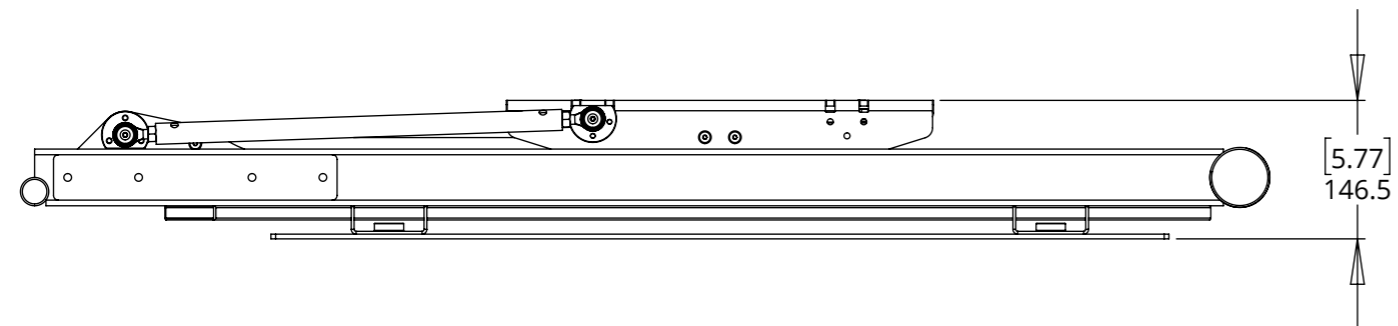
# HSE90

## HEAVY DUTY ELECTRIC SWIVEL MECHANISM



future automation

### GENERAL DIMENSIONS - IN POSITION



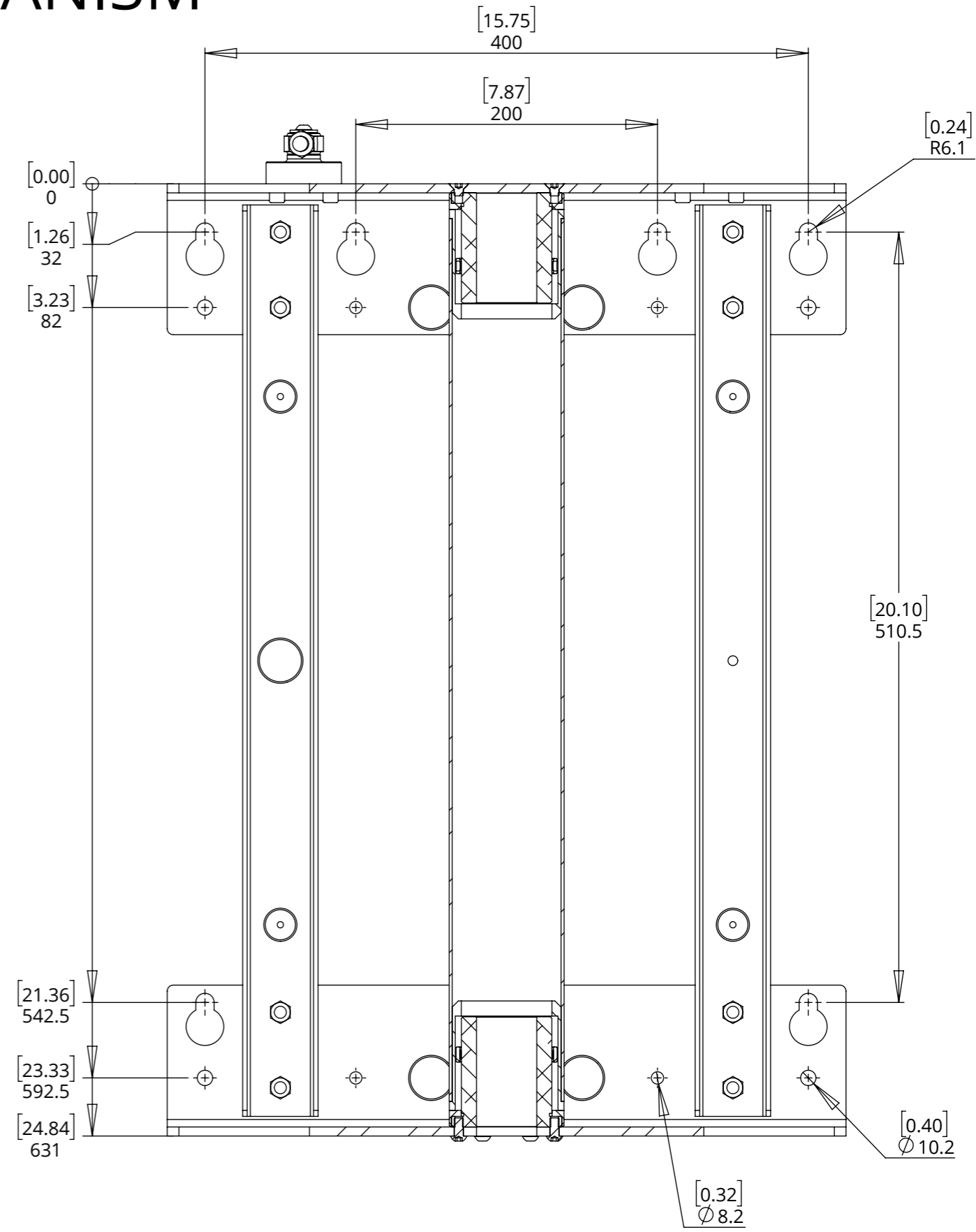
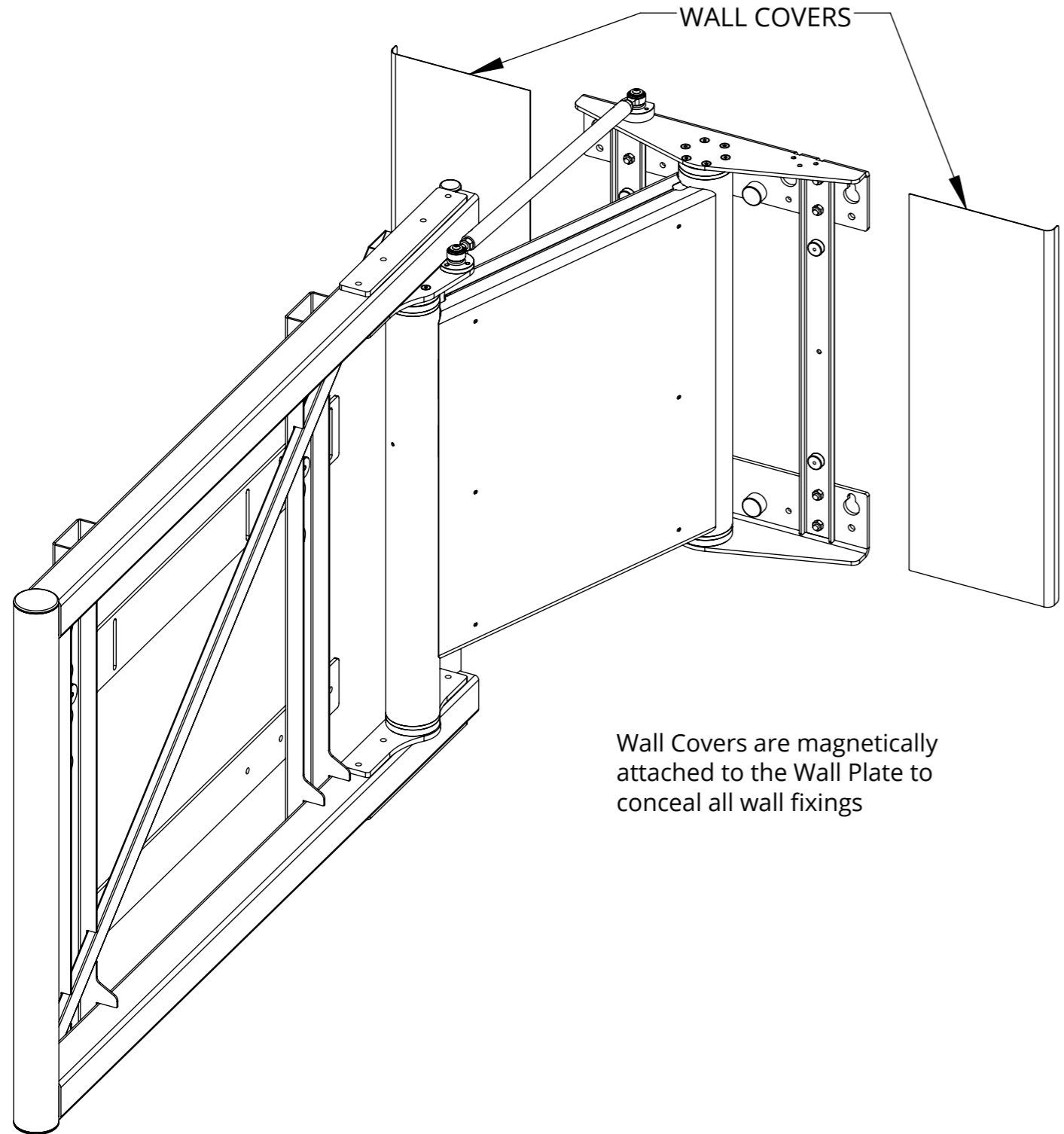
# HSE90

## HEAVY DUTY ELECTRIC SWIVEL MECHANISM



future automation

### CABLE ROUTING





# HSE90

## HEAVY DUTY ELECTRIC SWIVEL MECHANISM



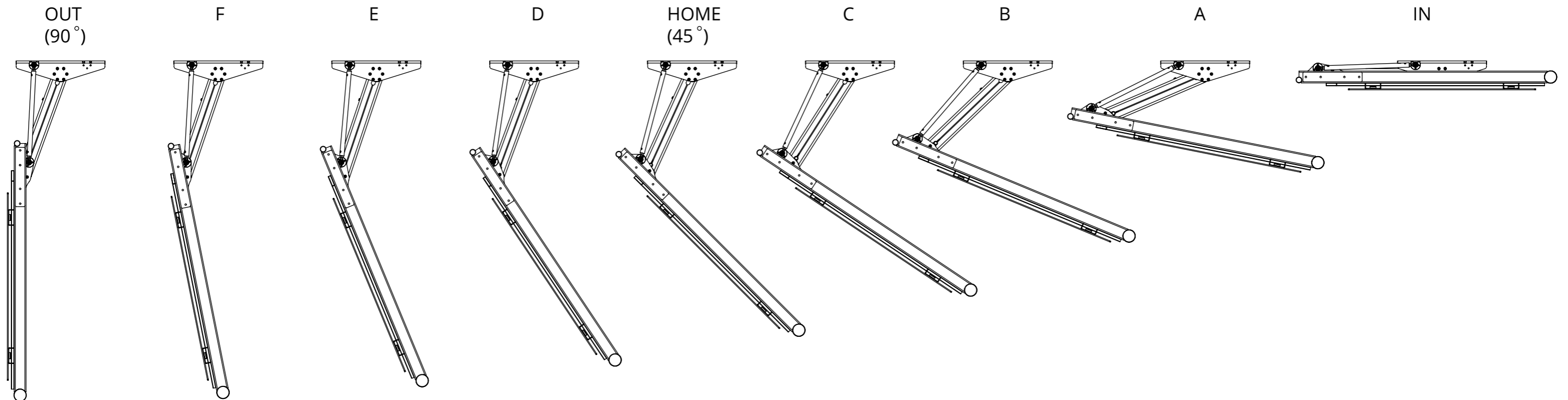
future automation

### PRESET POSITIONS

A number of positions are preset in the mechanism.

Each of the positions shown below can be achieved by pressing the corresponding button on the remote control.

All of the positions can be changed, apart from the IN and OUT positions.



# HSE90

## HEAVY DUTY ELECTRIC SWIVEL MECHANISM



### MAXIMUM VIEWING ANGLES

Screens with a width of more than 2220 [87.4] will not be able to achieve the full 90° of rotation.

The maximum viewing angle of a 2600 [102.4] wide screen is 55°.

