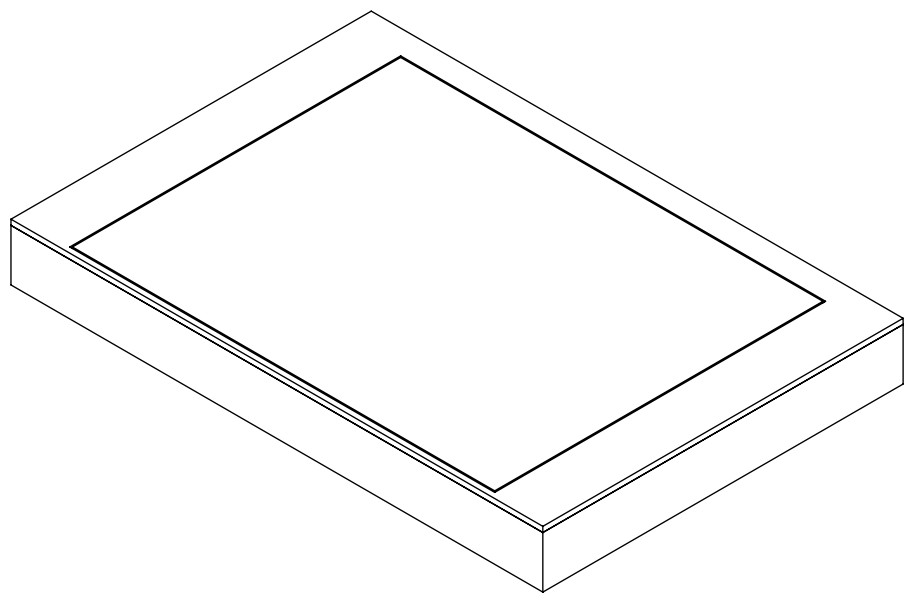
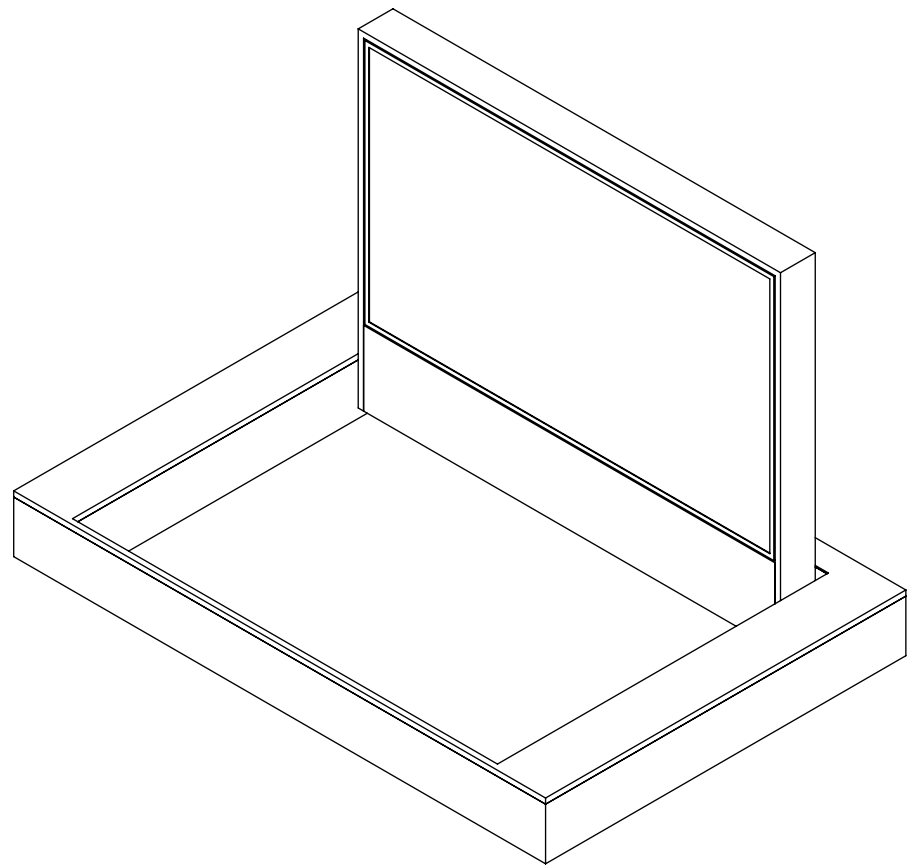
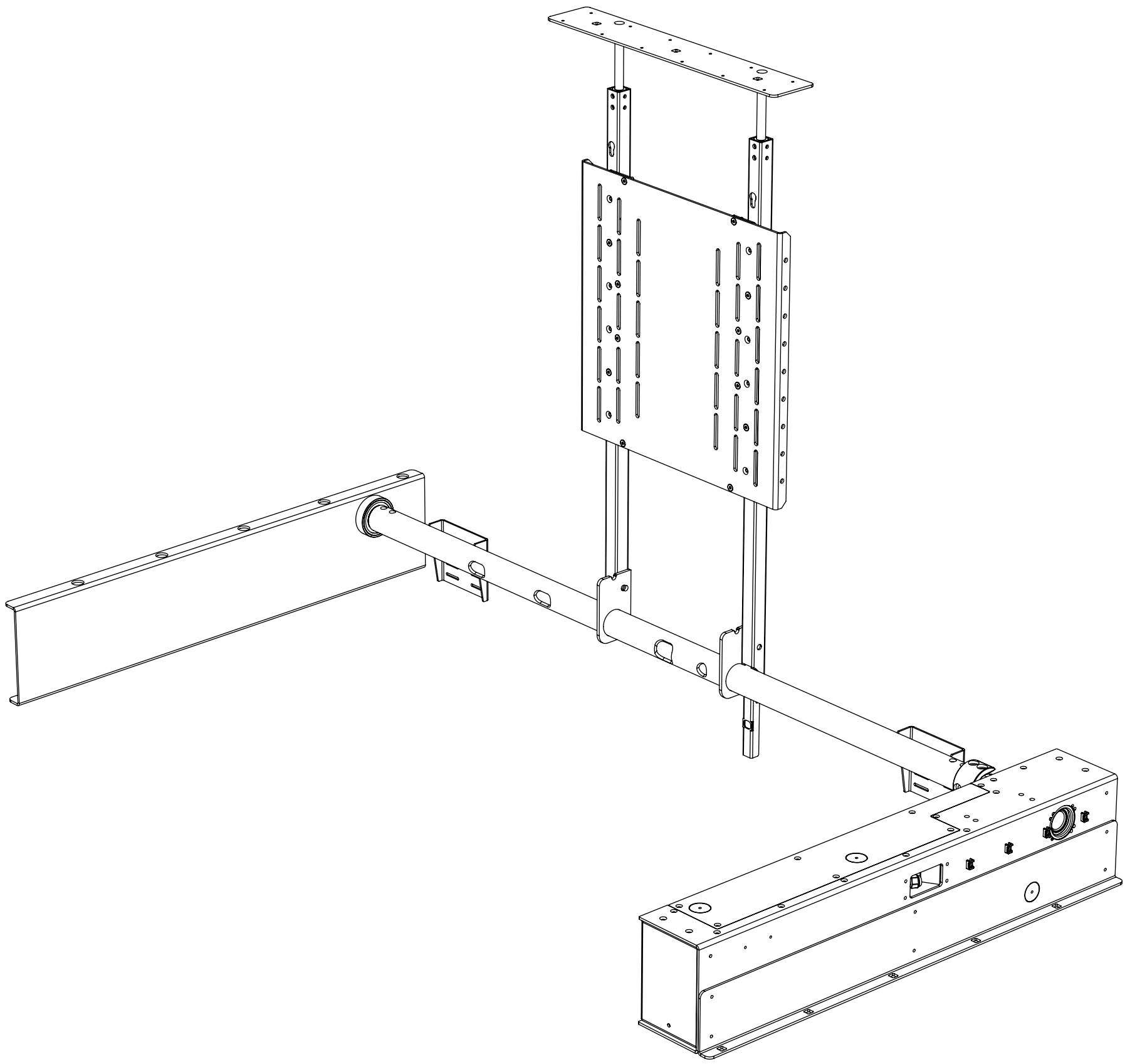


HU6 HINGE UP MECHANISM



HU6

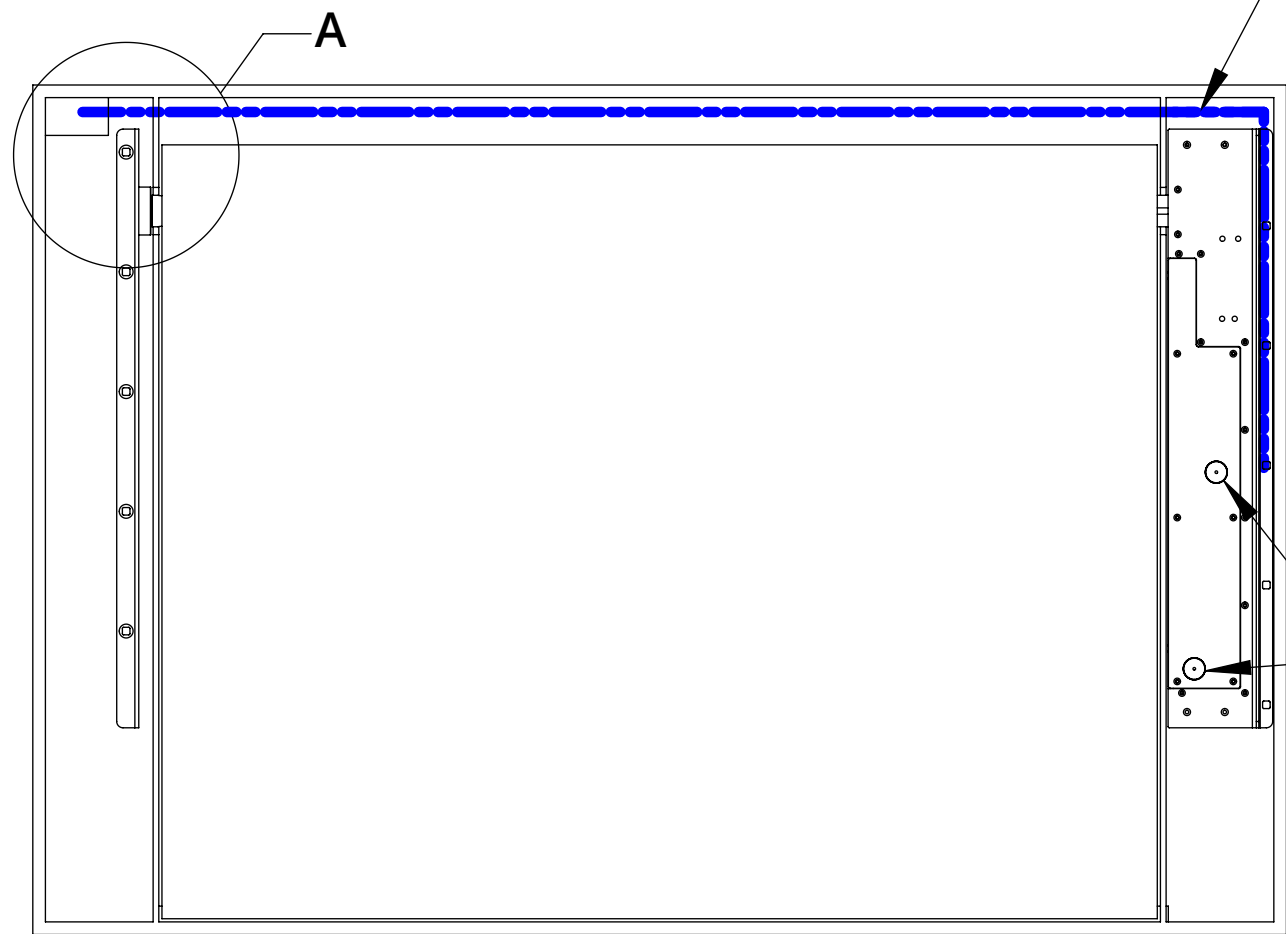
HINGE UP MECHANISM



SPECIFICATION	MEASUREMENTS
Product Dimensions	1835mm (72.2") W x 1233mm (48.5") L x 190mm (7.5") H
Maximum Screen Size	1530mm (60.2") W x 920mm (36.2") L x 65mm (2.6") T
Maximum Weight Capacity	50Kg (110lbs) INC CABINET WEIGHT
Product Weight	45Kg (99lbs)
Maximum Rotation	90°
Movement Type	Motorised
Control System	Control box with 3m [10'] loom - can be customised to suit installation
Power Supply Required	110V - 240V AC
Power Consumption Max.	120W
Power Consumption Standby	3W
Mounting Patterns Supported	VESA 400, 300, 200 W x 400, 300, 200 H
Control Options	IR Remote, RS232, Contact Closure
Product Options / Features	Specific B&O and Loewe mounts / adapters, Custom RAL paint finishes, Marine suitable version
Package Contents	Mechanism, IR remote control
Marine Suitable	No

HU6 HINGE UP MECHANISM

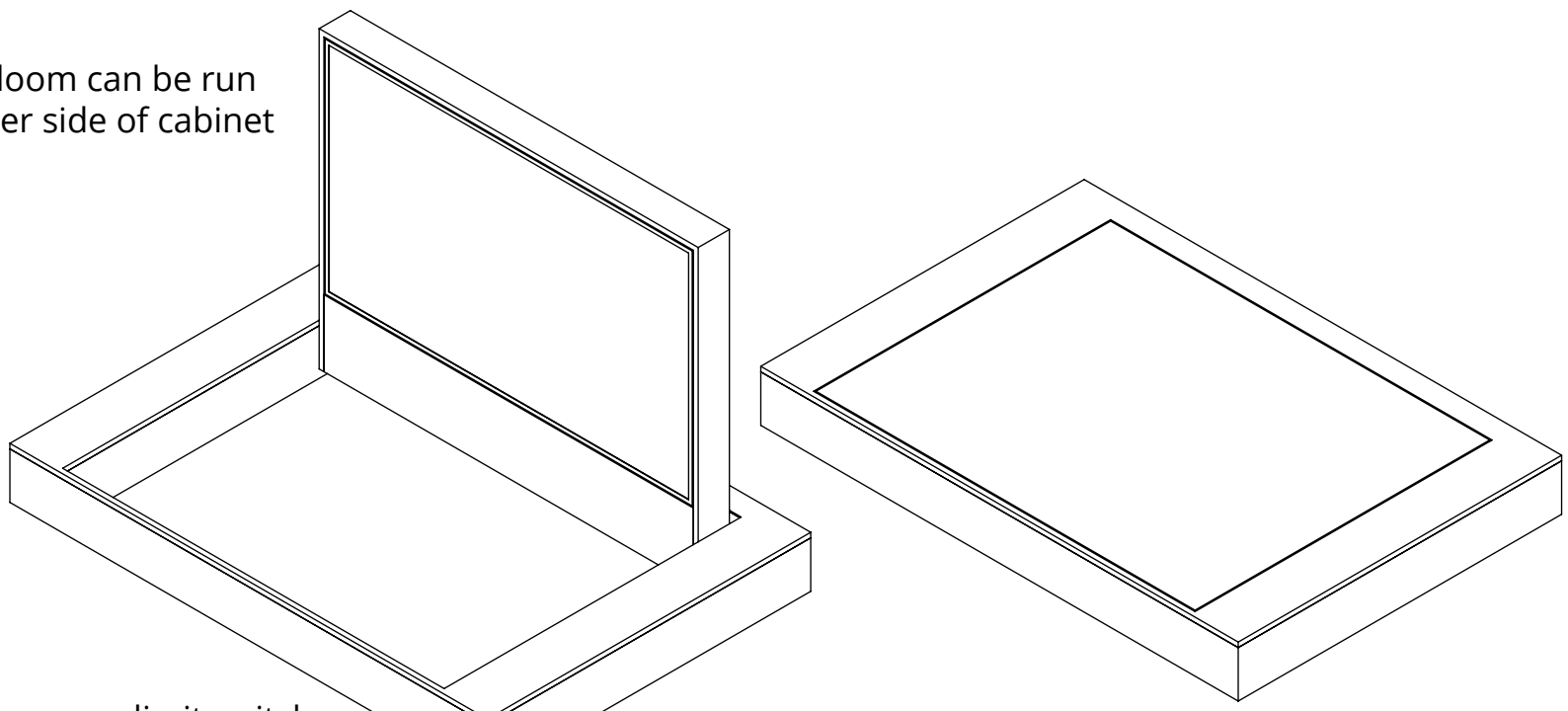
MECHANISM OVERVIEW



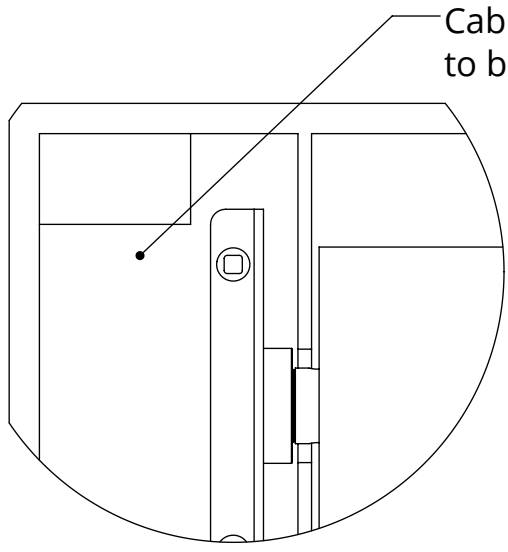
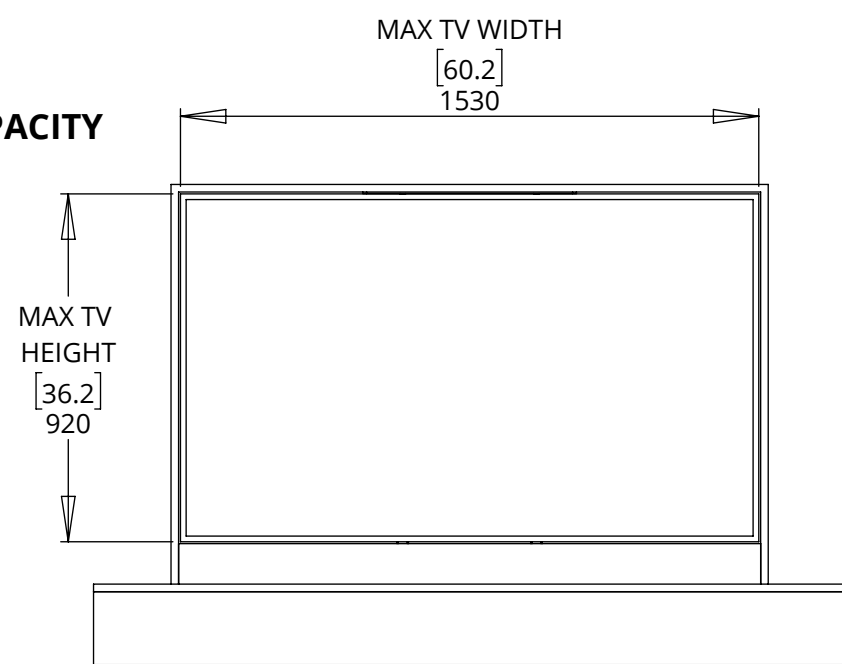
Cable loom can be run to either side of cabinet

Easy access limit switch adjusters via open ports from above (removable plugs create seal) Ensure access is maintained to this area at all times.

Screen and Signal cables enter mechanism at rear left corner only.



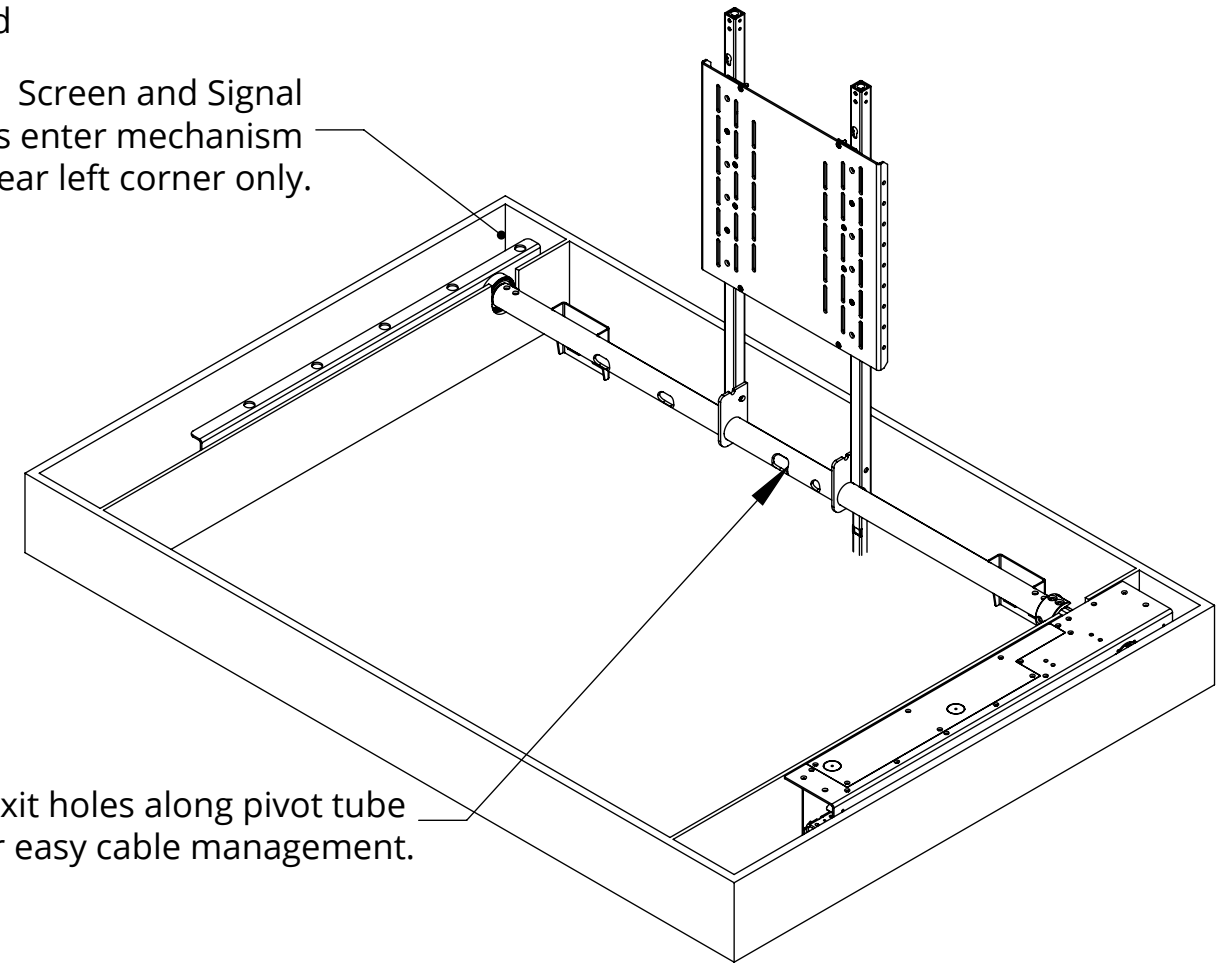
SCREEN CAPACITY



DETAIL A
SCALE 1 : 5

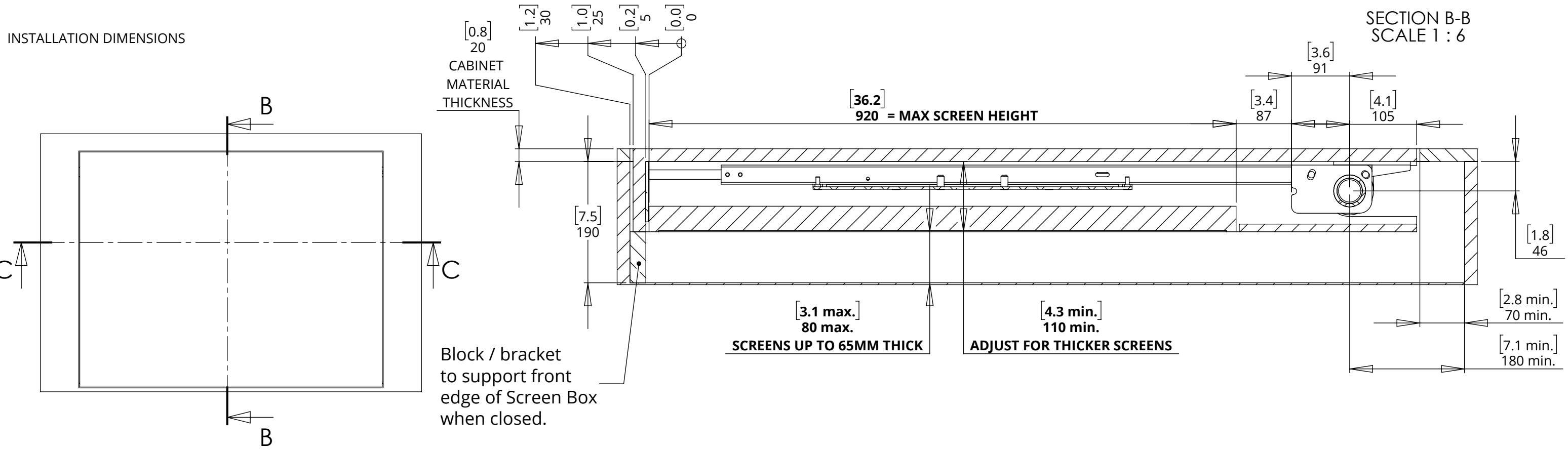
Cable Exit / Entry to back corner.

Cable Exit holes along pivot tube for easy cable management.



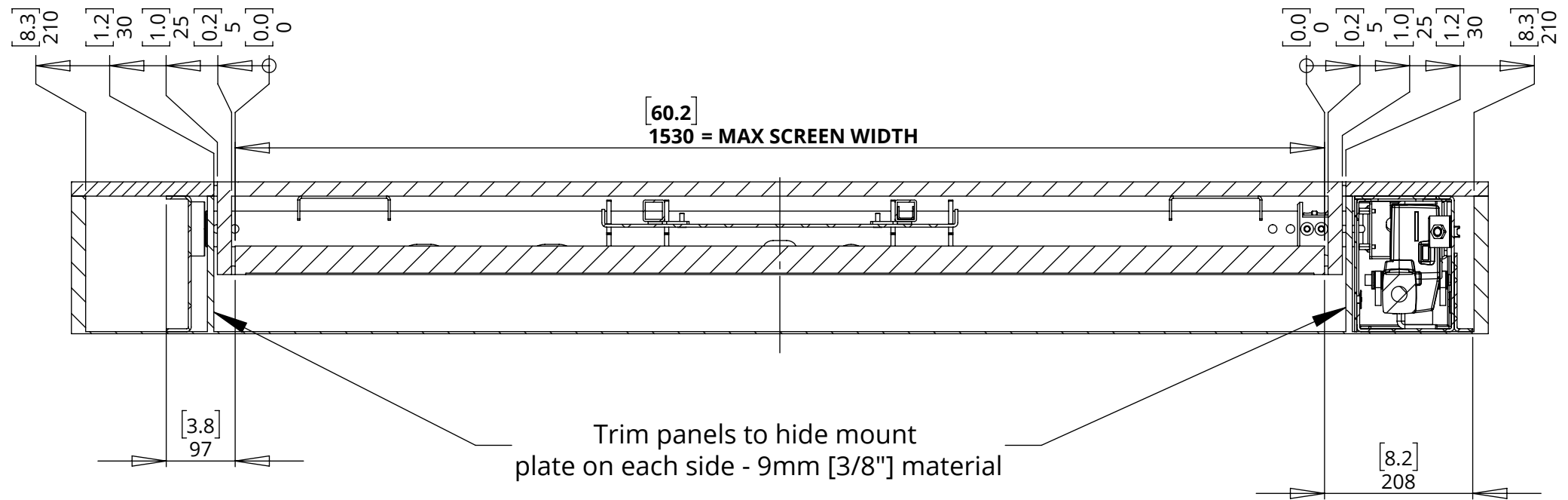
HU6 HINGE UP MECHANISM

INSTALLATION DIMENSIONS



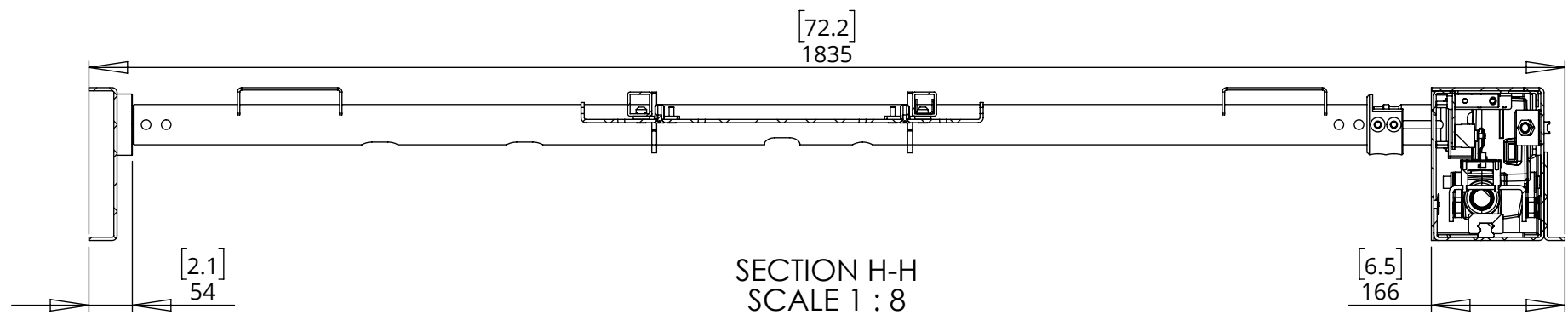
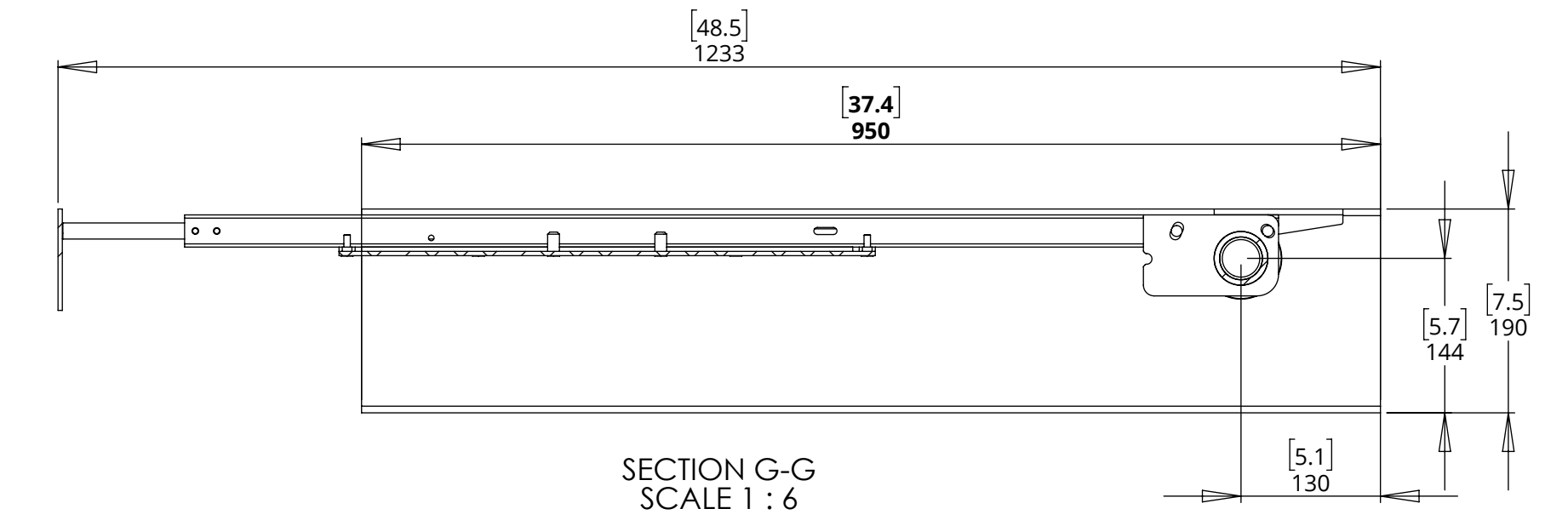
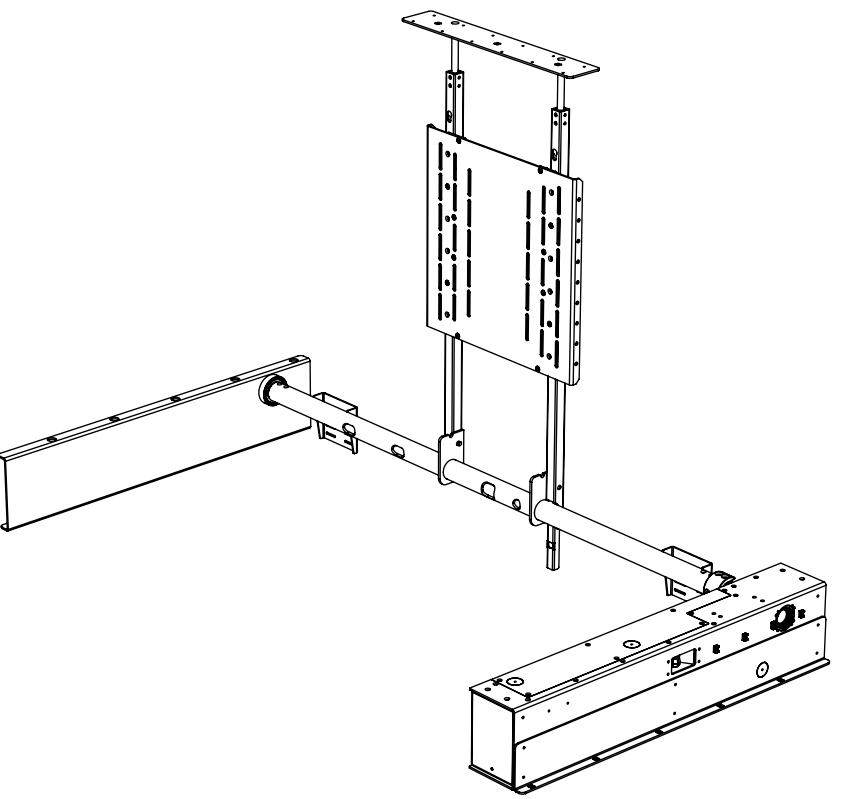
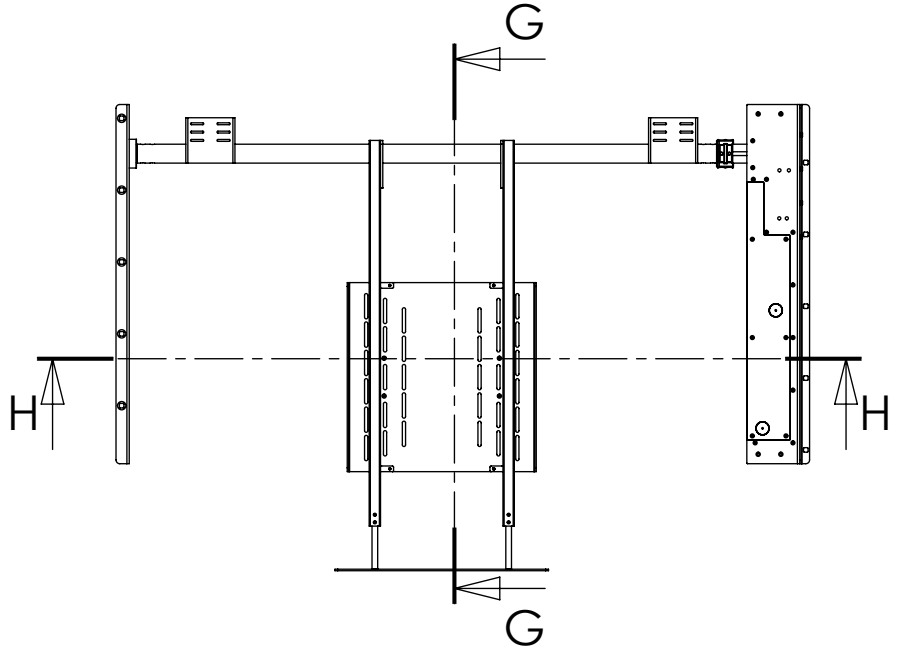
NOTE : CABINET MATERIAL THICKNESS SHOWN IS 20MM, ADJUST DIMENSIONS TO SUIT DIFFERENT MATERIAL

DIMENSIONS SHOWN HERE FOR THE SMALLEST SYMMETRICAL CABINET



HU6 HINGE UP MECHANISM

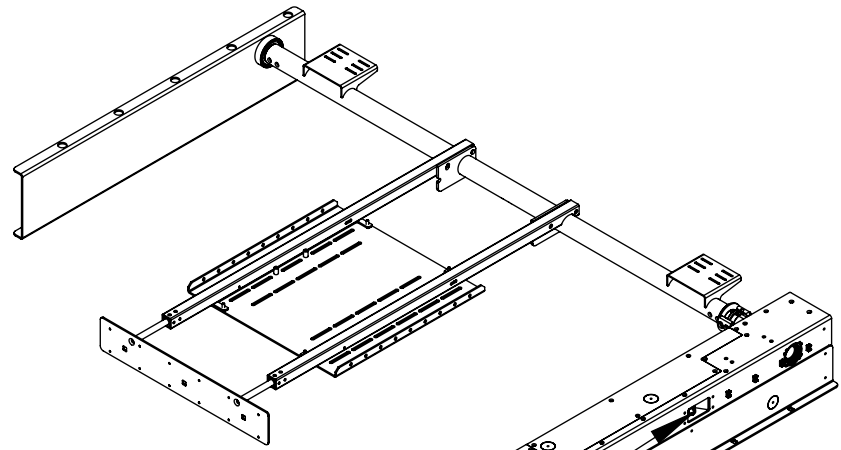
MECHANISM DIMENSIONS



HU6 HINGE UP MECHANISM

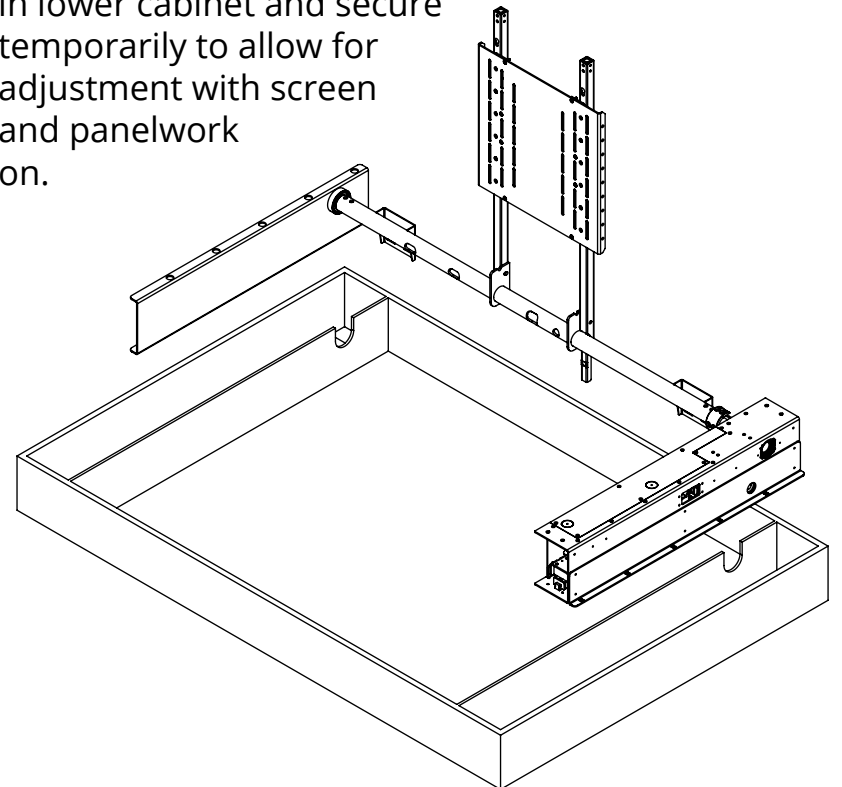
INSTALLATION

1. Power mechanism and test operation before installation.

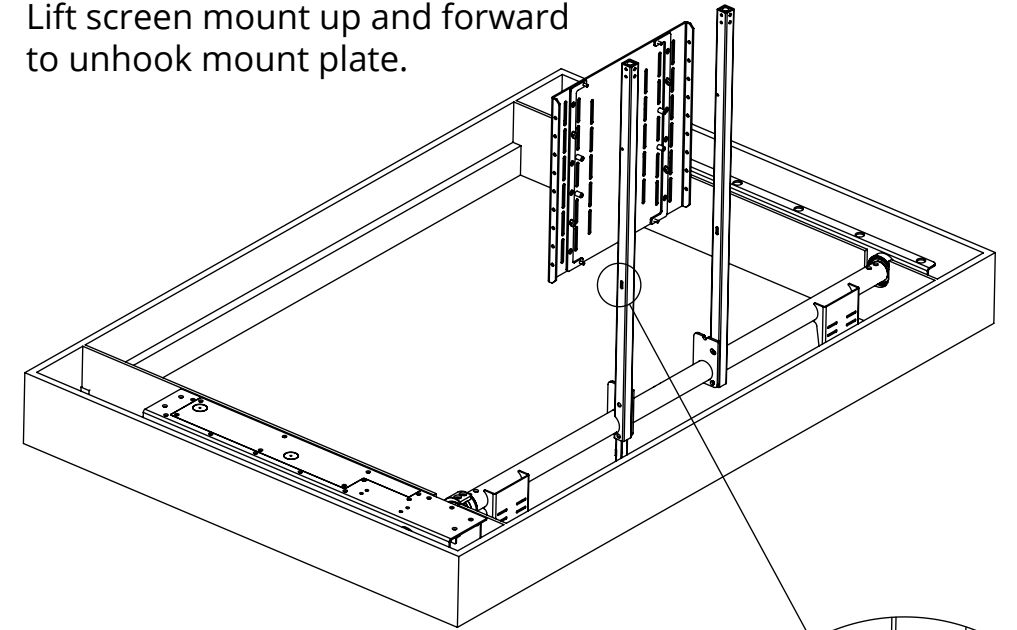


Mechanism control box on loom connected at end of tube on right hand side

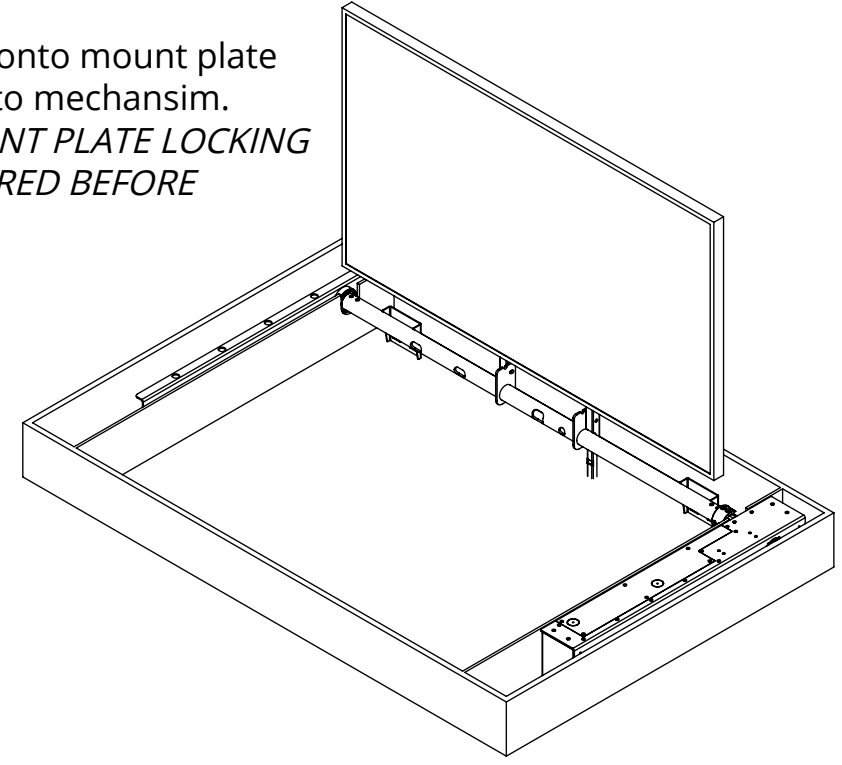
2. Lower mechanism into position in lower cabinet and secure temporarily to allow for adjustment with screen and panelwork on.



3. Loosen screen mount locking bolt on side of legs. Lift screen mount up and forward to unhook mount plate.

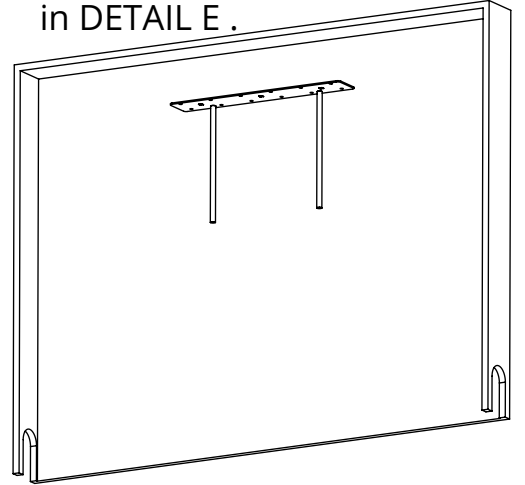


4. Install screen onto mount plate and install onto mechanism. **ENSURE MOUNT PLATE LOCKING BOLT IS SECURED BEFORE CONTINUING**

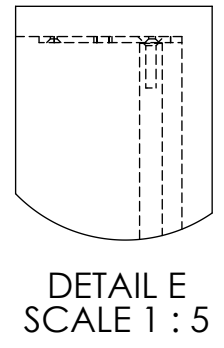
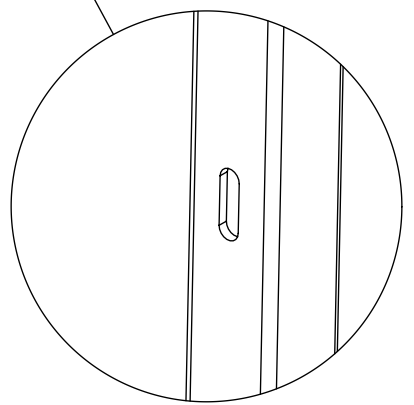


5. Install Box Plate onto Screen Box.

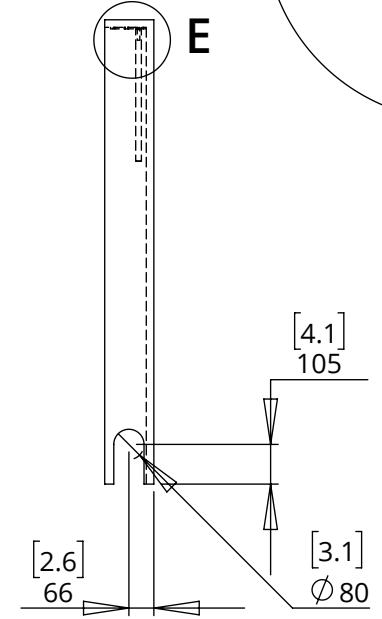
Ensure Box Plate is positioned centrally, with back edge of plate against inside of Screen Box as shown in DETAIL E.



DETAIL D
SCALE 1 : 2



DETAIL E
SCALE 1 : 5

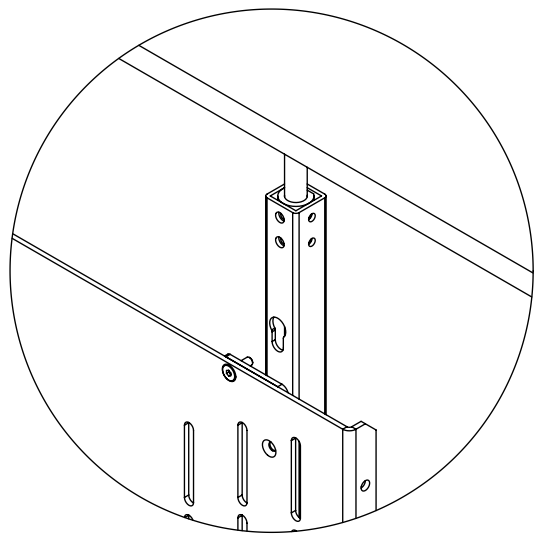
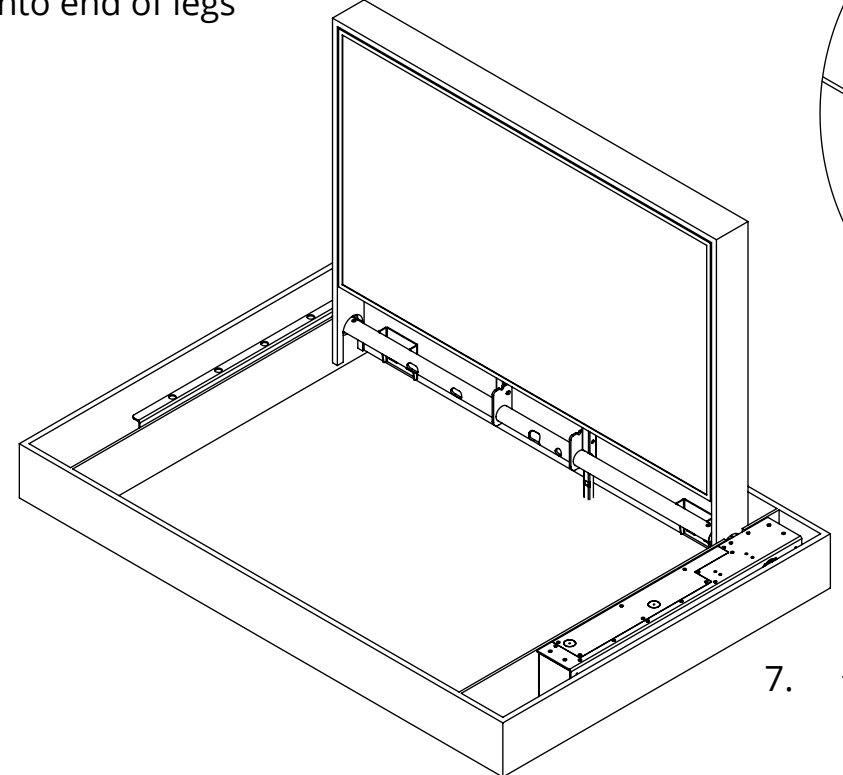


TECHNICAL SHEET

HU6 HINGE UP MECHANISM

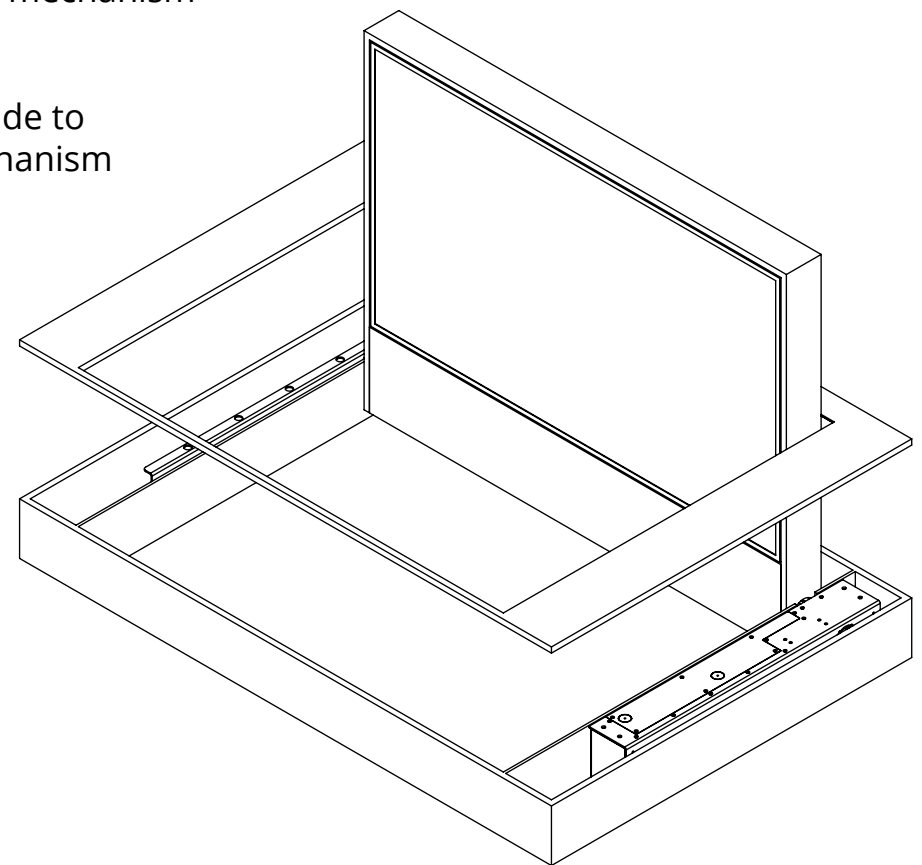
INSTALLATION - Continued

6. Install Screen Box with Box Plate installed onto mechanism by sliding bars of box plate into end of legs



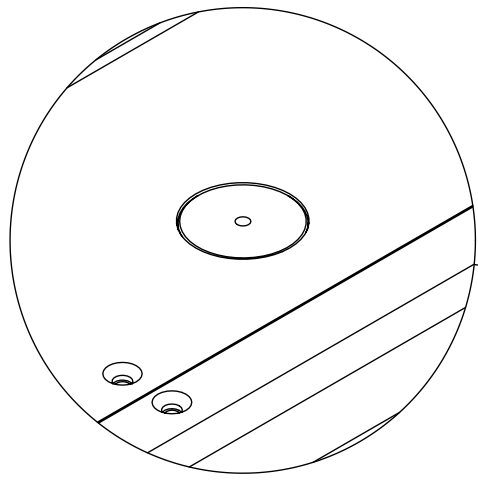
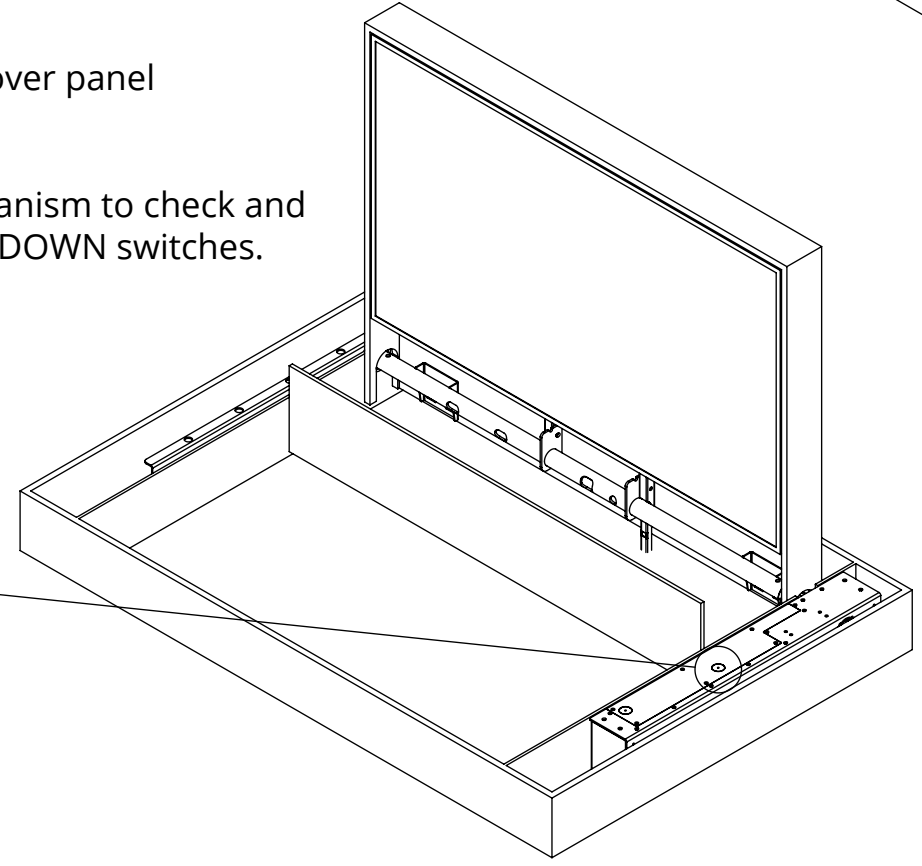
8. Install removable Top Surrounding Panel temporarily and close mechanism to check all panelwork and mechanism positions.

With all adjustments made to positioning, secure mechanism and panels in place.



7. Install lower cover panel to hide cables.

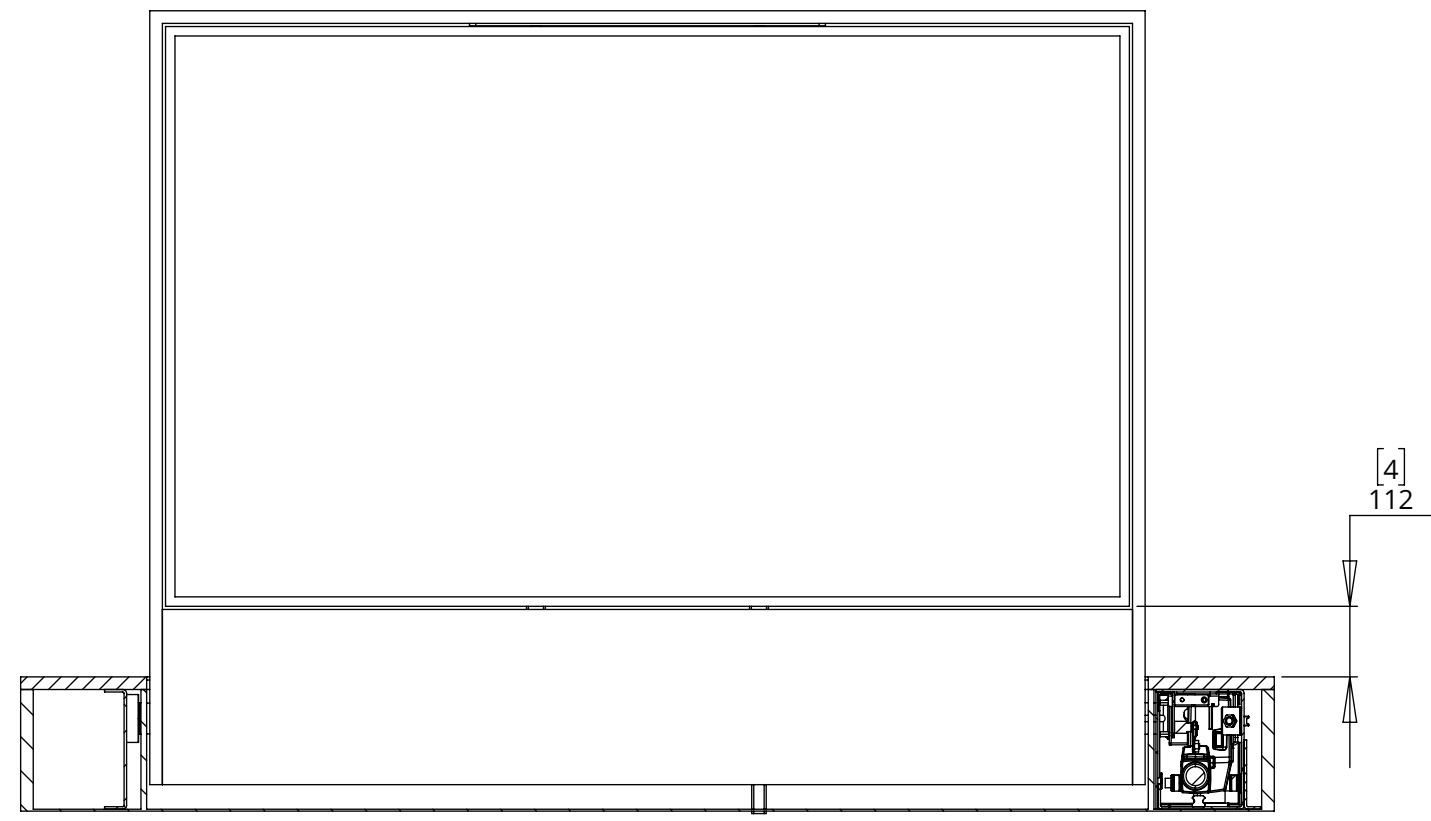
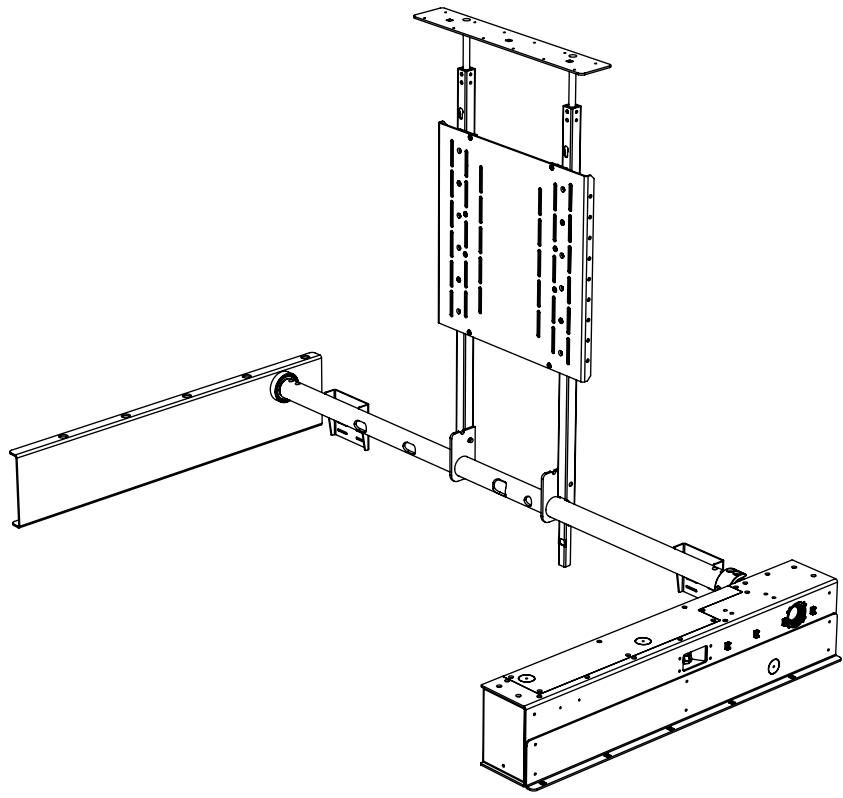
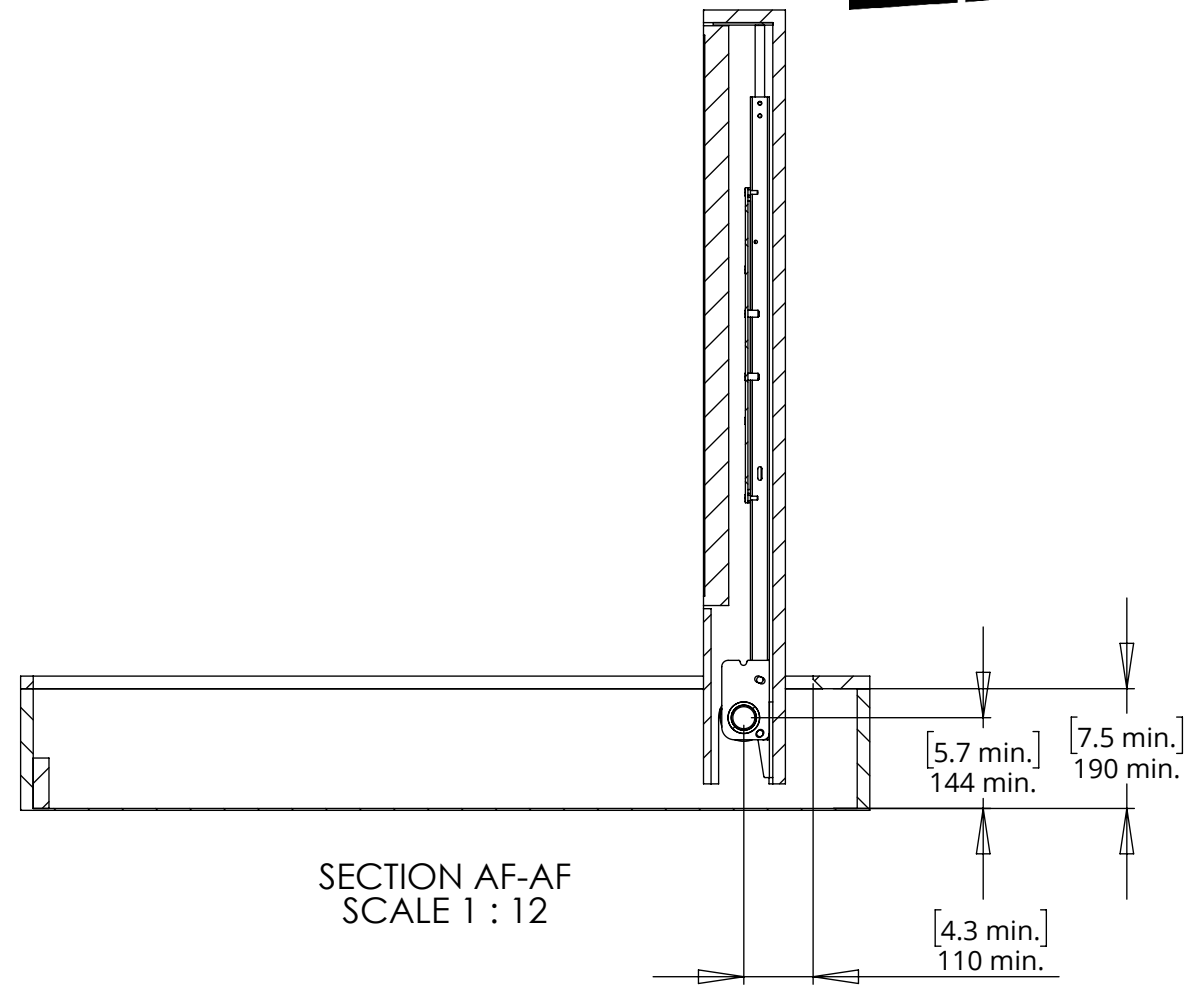
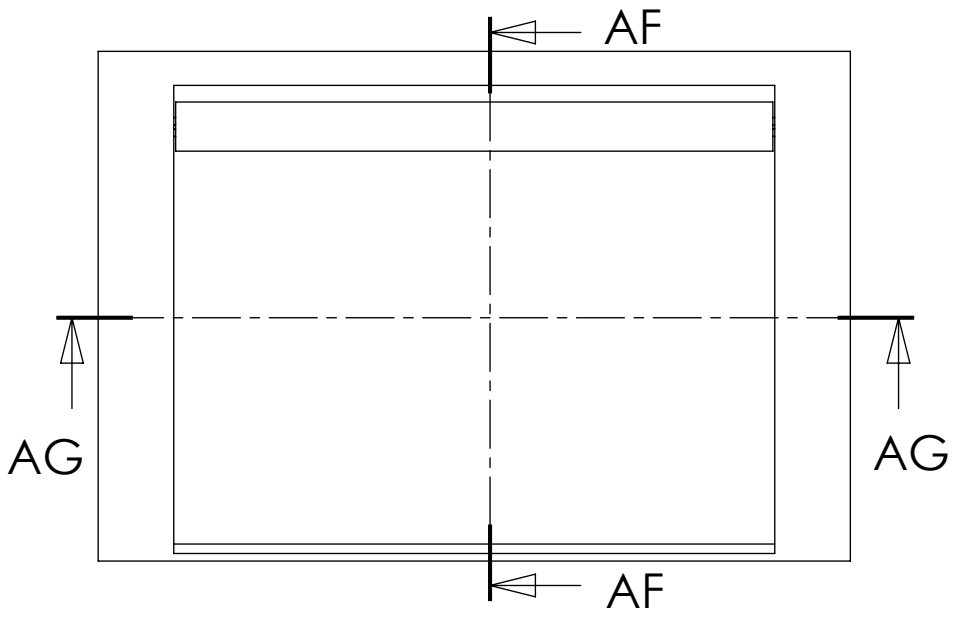
Operate mechanism to check and adjust UP and DOWN switches.



DETAIL F
SCALE 1 : 2

HU6 HINGE UP MECHANISM

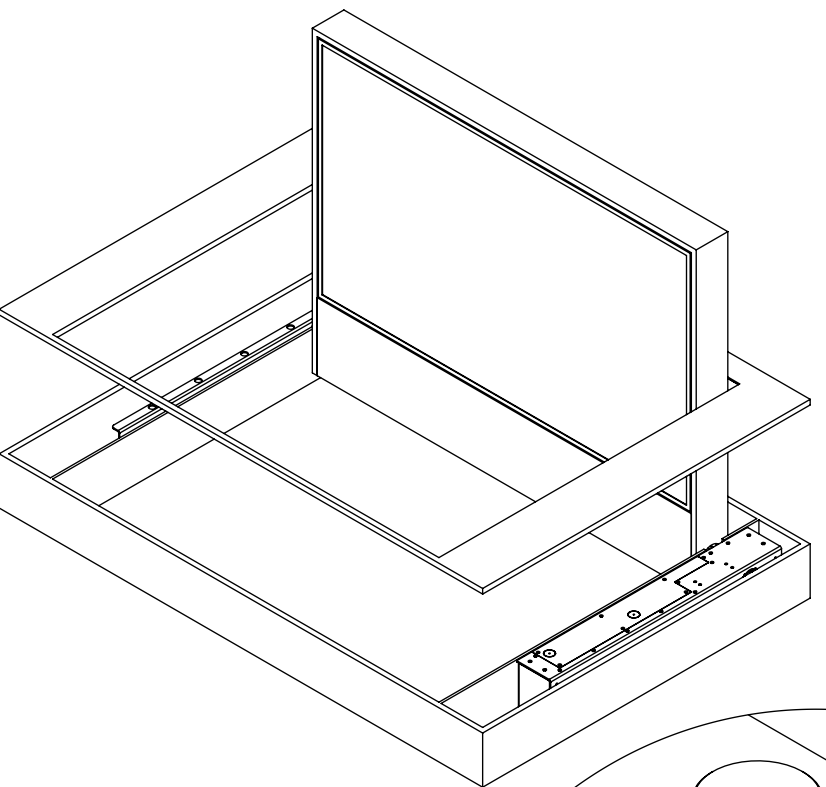
MECHANISM DIMENSIONS



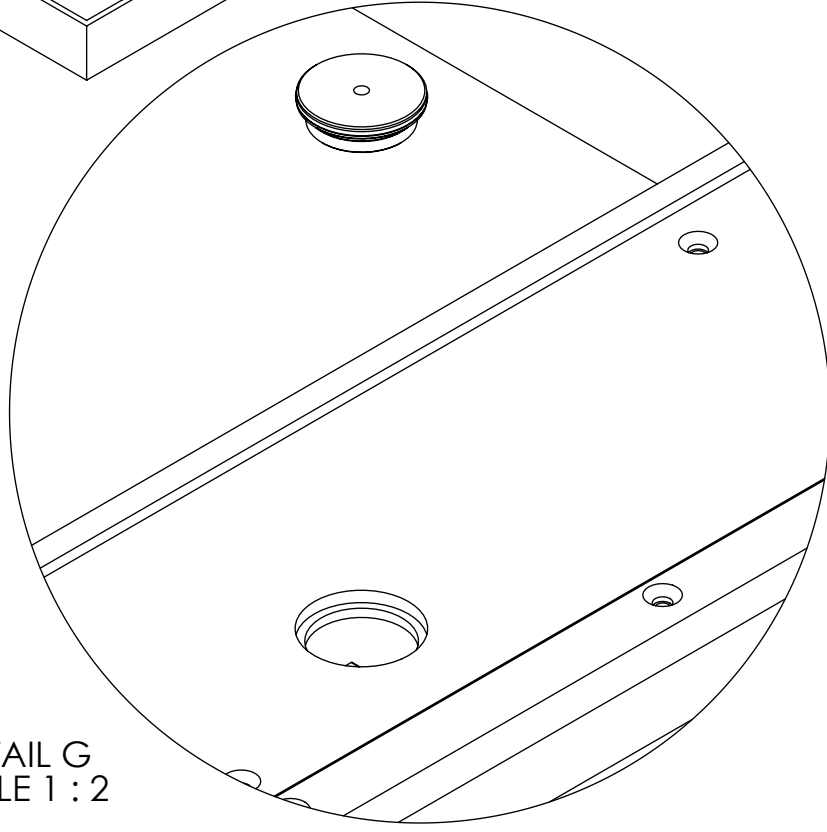
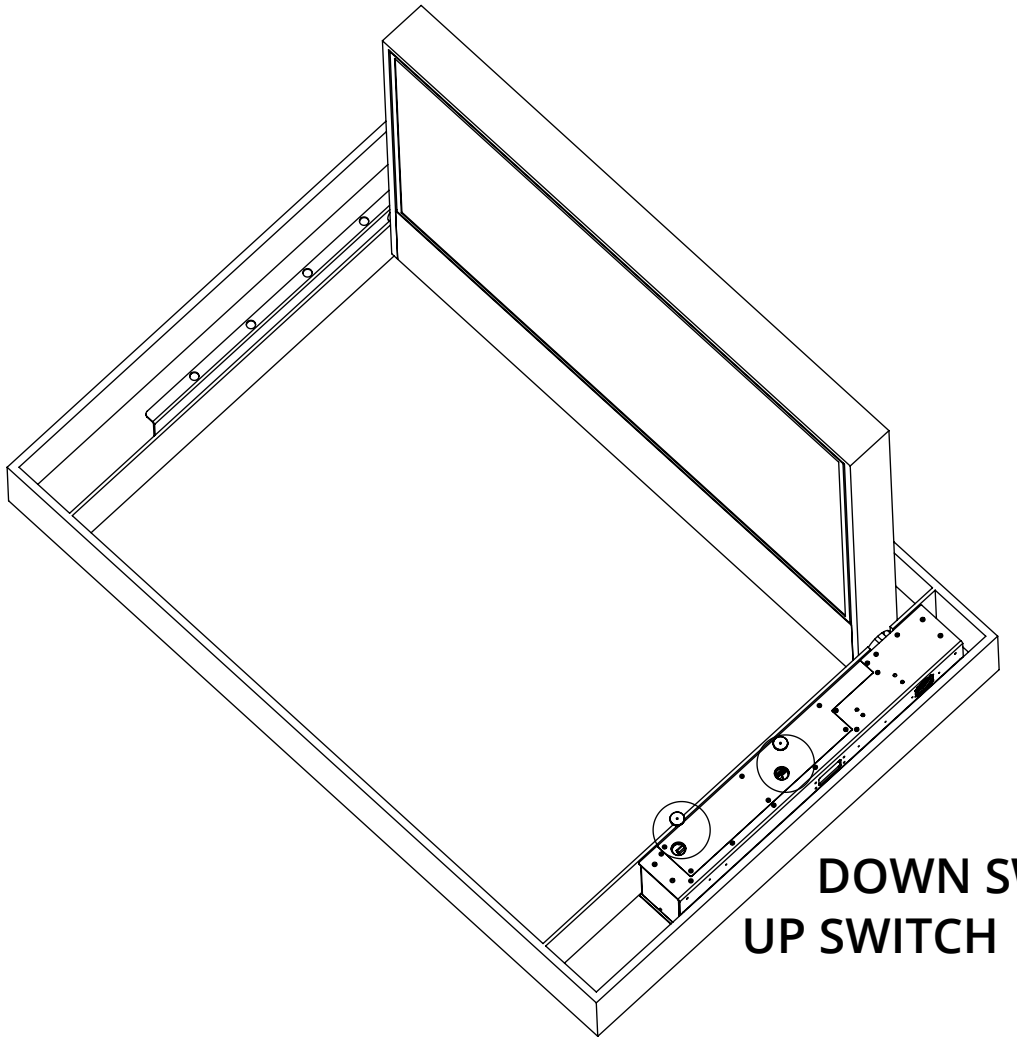
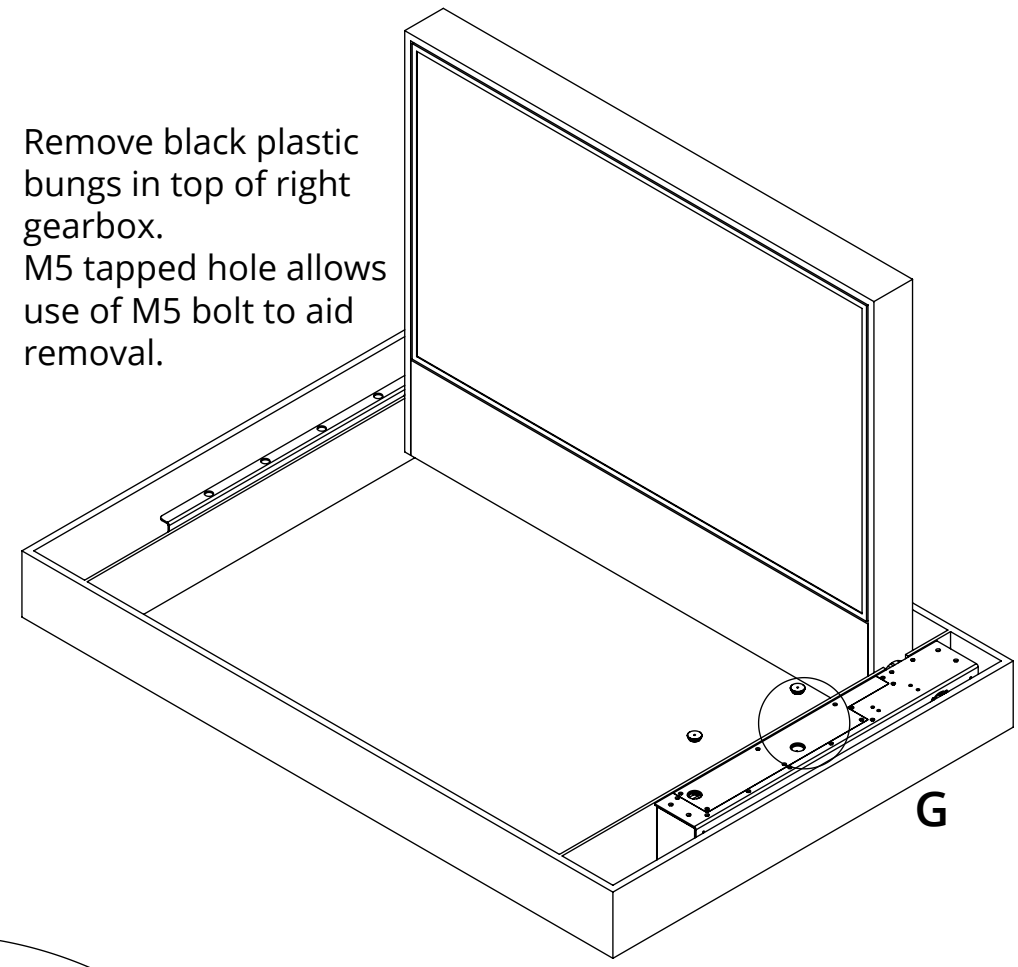
HU6 HINGE UP MECHANISM

Switch Adjustment

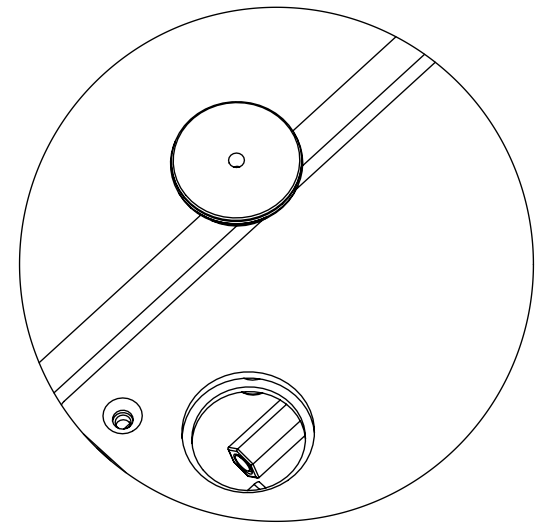
1. Remove top panel to access top of mechanism.



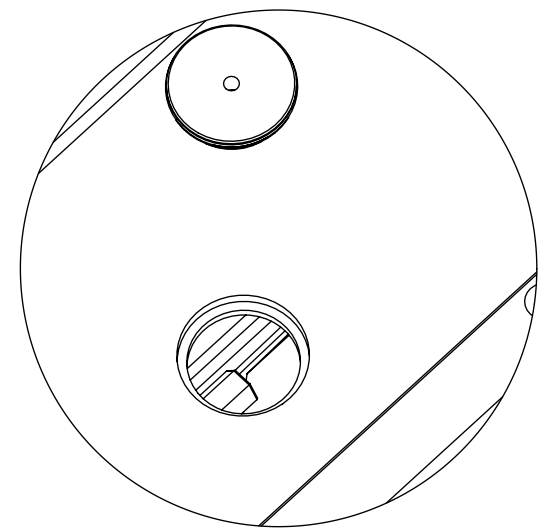
2. Remove black plastic bungs in top of right gearbox. M5 tapped hole allows use of M5 bolt to aid removal.



DETAIL G
SCALE 1 : 2



DETAIL UP SWITCH
SCALE 1 : 2



DETAIL DOWN SWITCH
SCALE 1 : 2

3. Locate 10mm Hex drive in top of gearboxes.

When looking at screen, rotating Hex Drive CW will raise hinge (DOWN) or increase tilt (UP)

CCW will lower hinge (DOWN) or reduce tilt (UP)