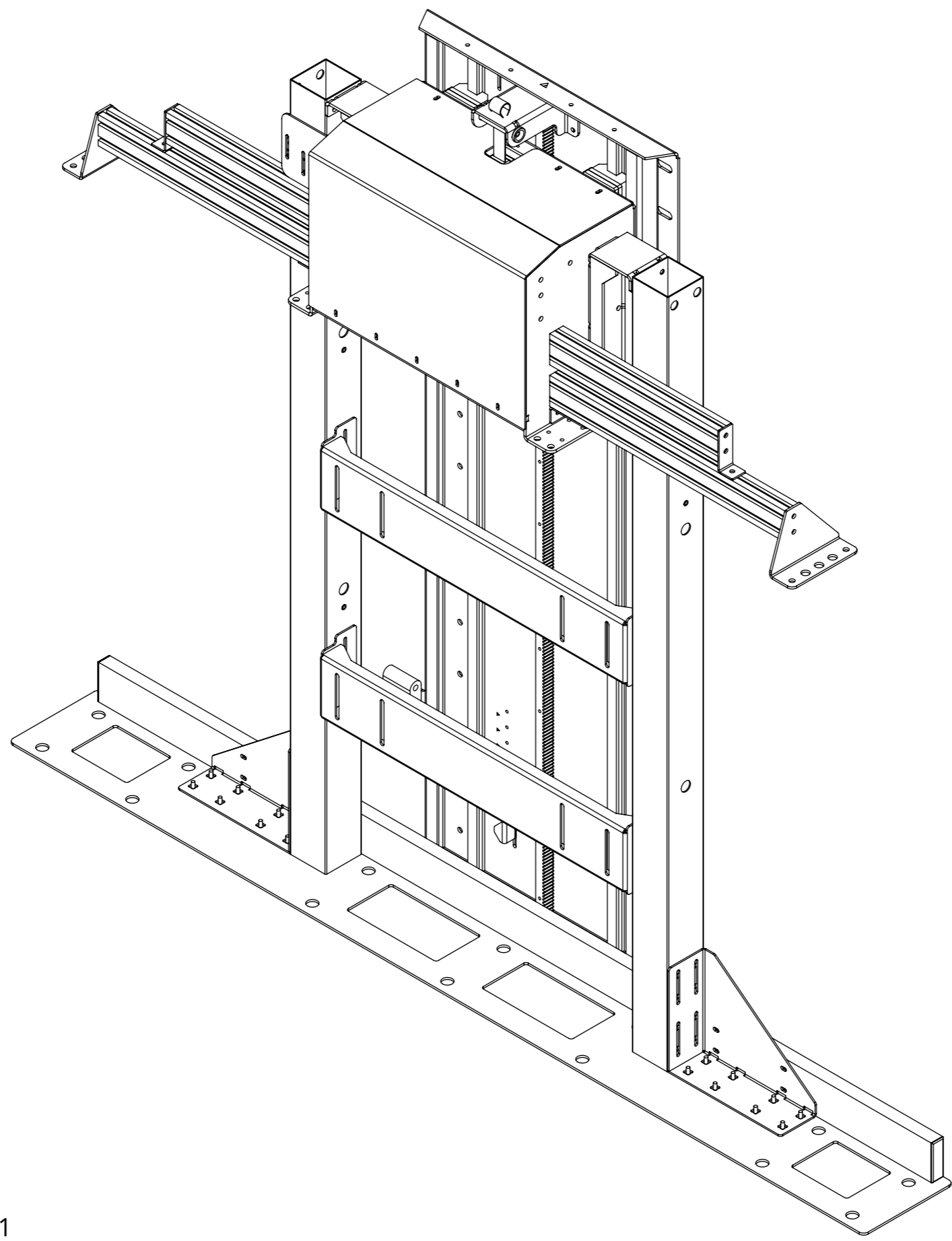


LSH-I INVERTED LIFT SYSTEM HEAVY



future automation



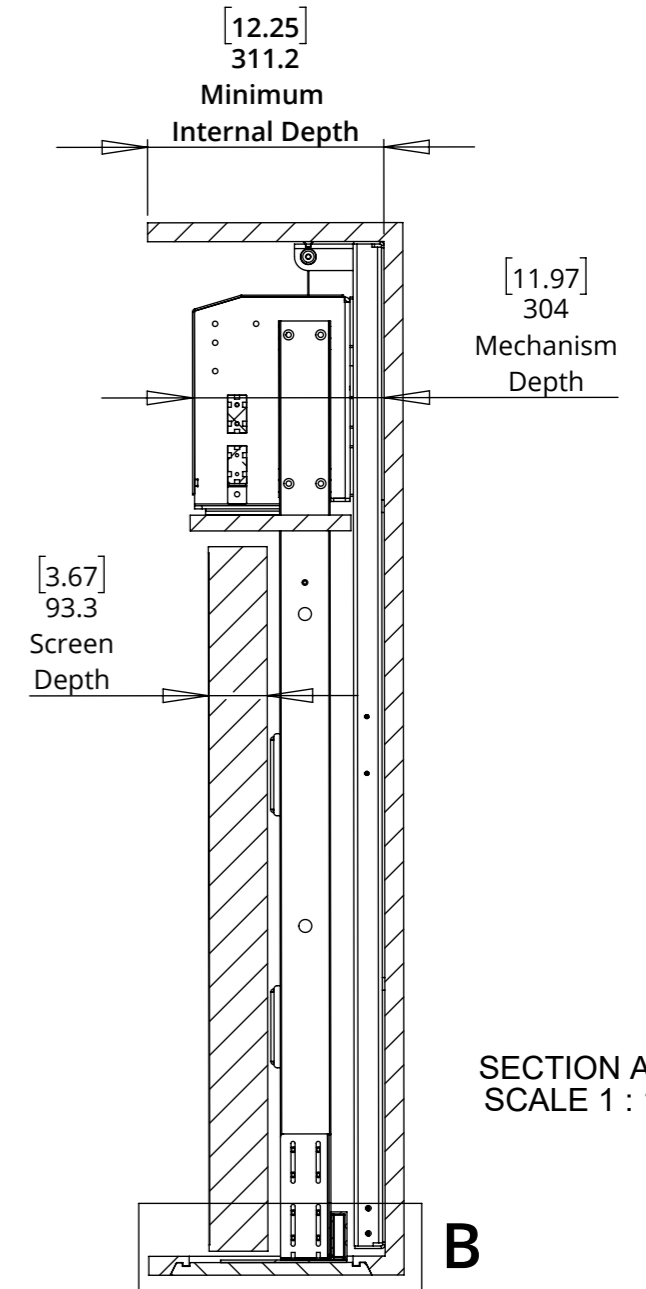
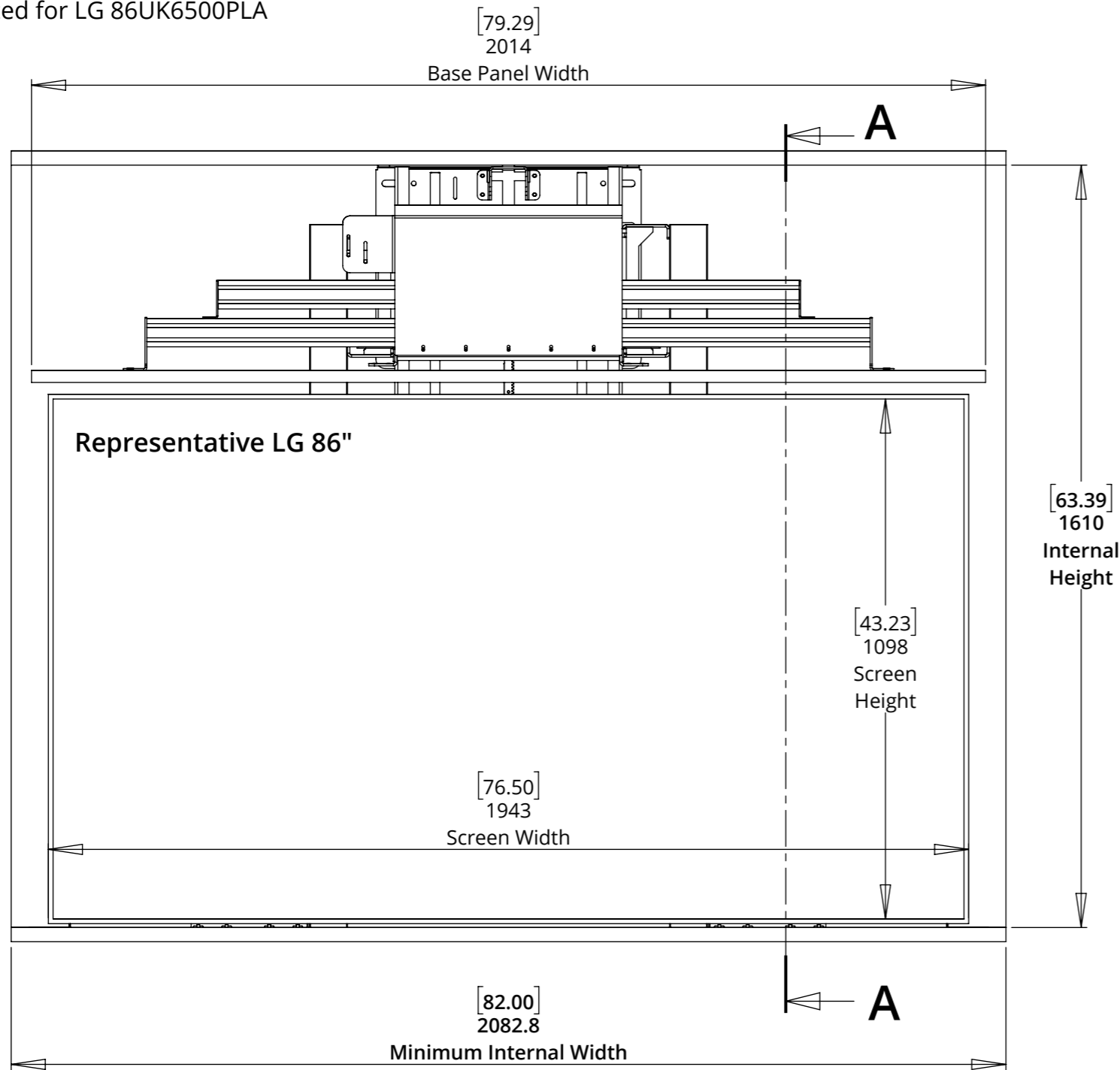
LSH-I INVERTED LIFT SYSTEM HEAVY



future automation

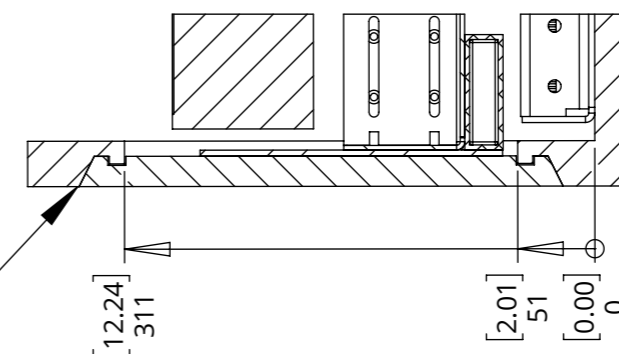
UP POSITION DIMENSIONS

Mechanism sized for LG 86UK6500PLA



IMPORTANT
Good access from the front of the mechanism required for installation and maintenance.

SECTION A-A
SCALE 1 : 12

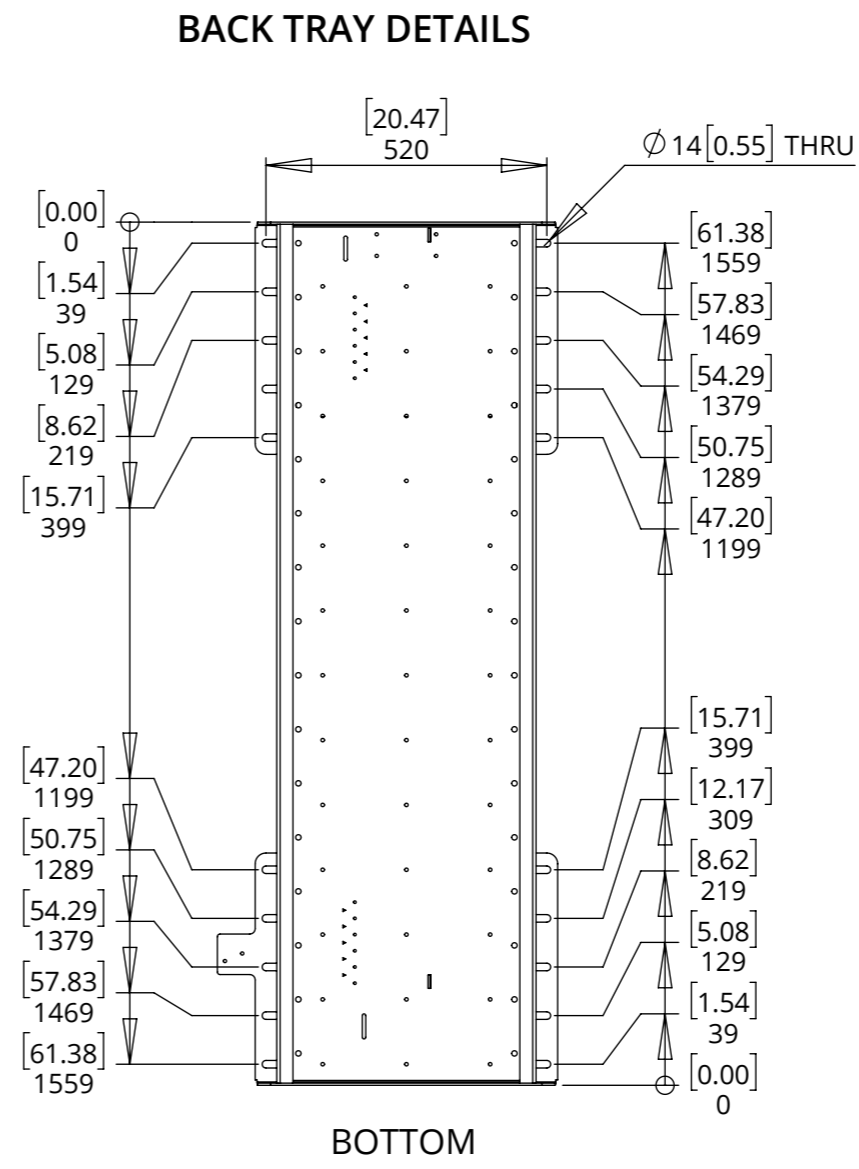
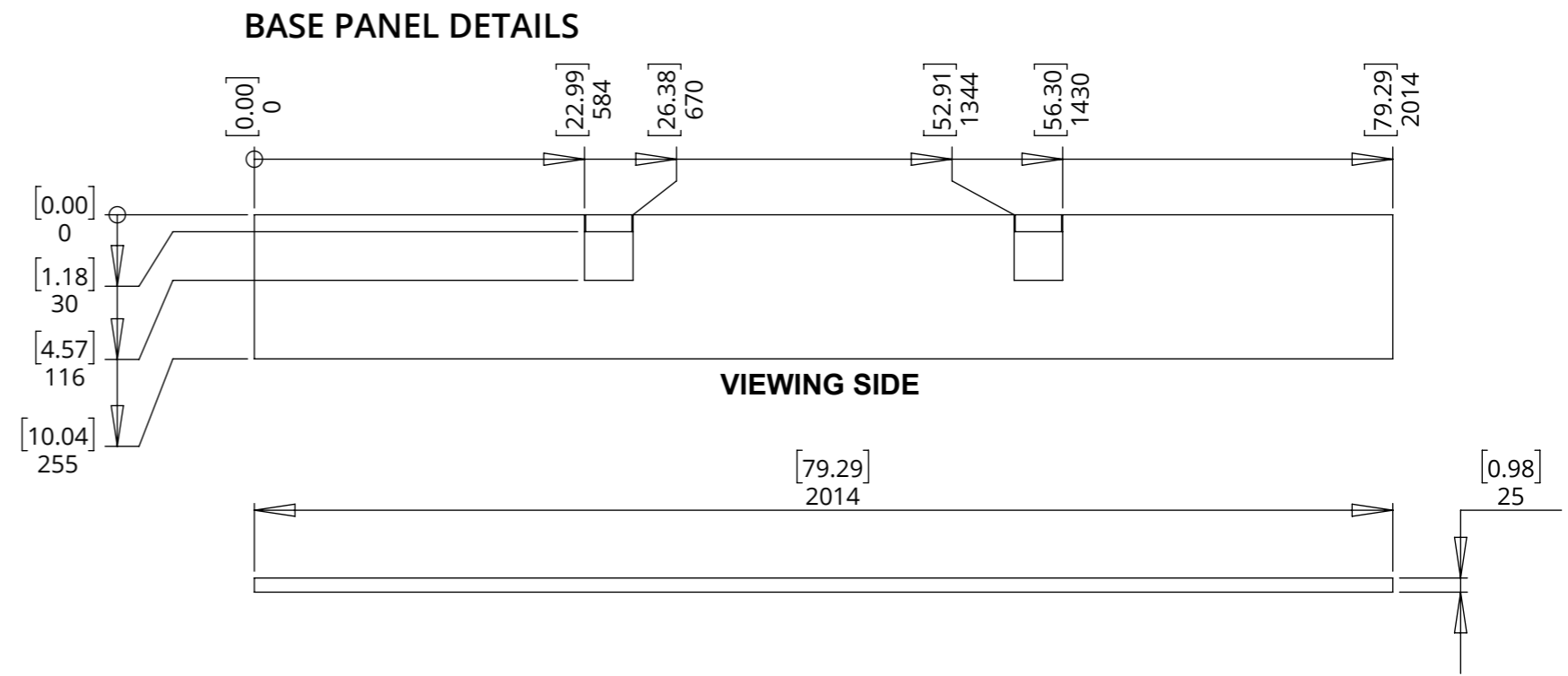
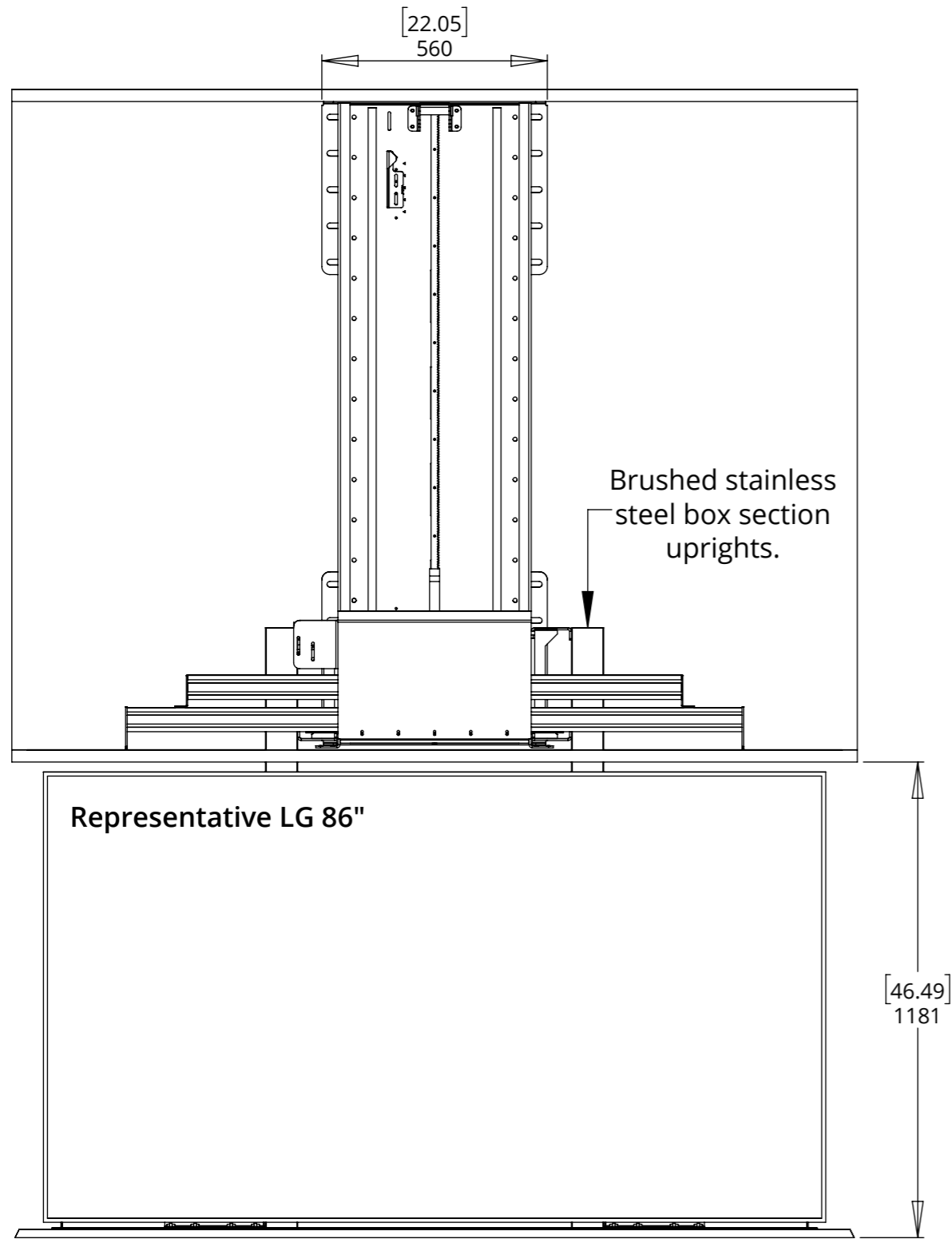


DETAIL B
SCALE 1 : 5

Taper detail helps to locate the Bottom Cap in the UP position.

LSH-I INVERTED LIFT SYSTEM HEAVY

DOWN POSITION DIMENSIONS



- NOTES:**
- All cabinet network shown is representative and must be supplied by others.
 - A control box with dimensions 130mm [5.1"] x 150mm [5.9"] x 55mm [2.1"] and power supply with dimensions 280mm [11.0"] x 165mm [6.5"] x 55mm [2.1"] must be stored in an easily accessible location.
 - The control box and power supply will be on a 3m [10'] flying lead and requires a single 110/240V AC supply.
 - Total lifting capacity of mechanism = 120kg [264lbs].