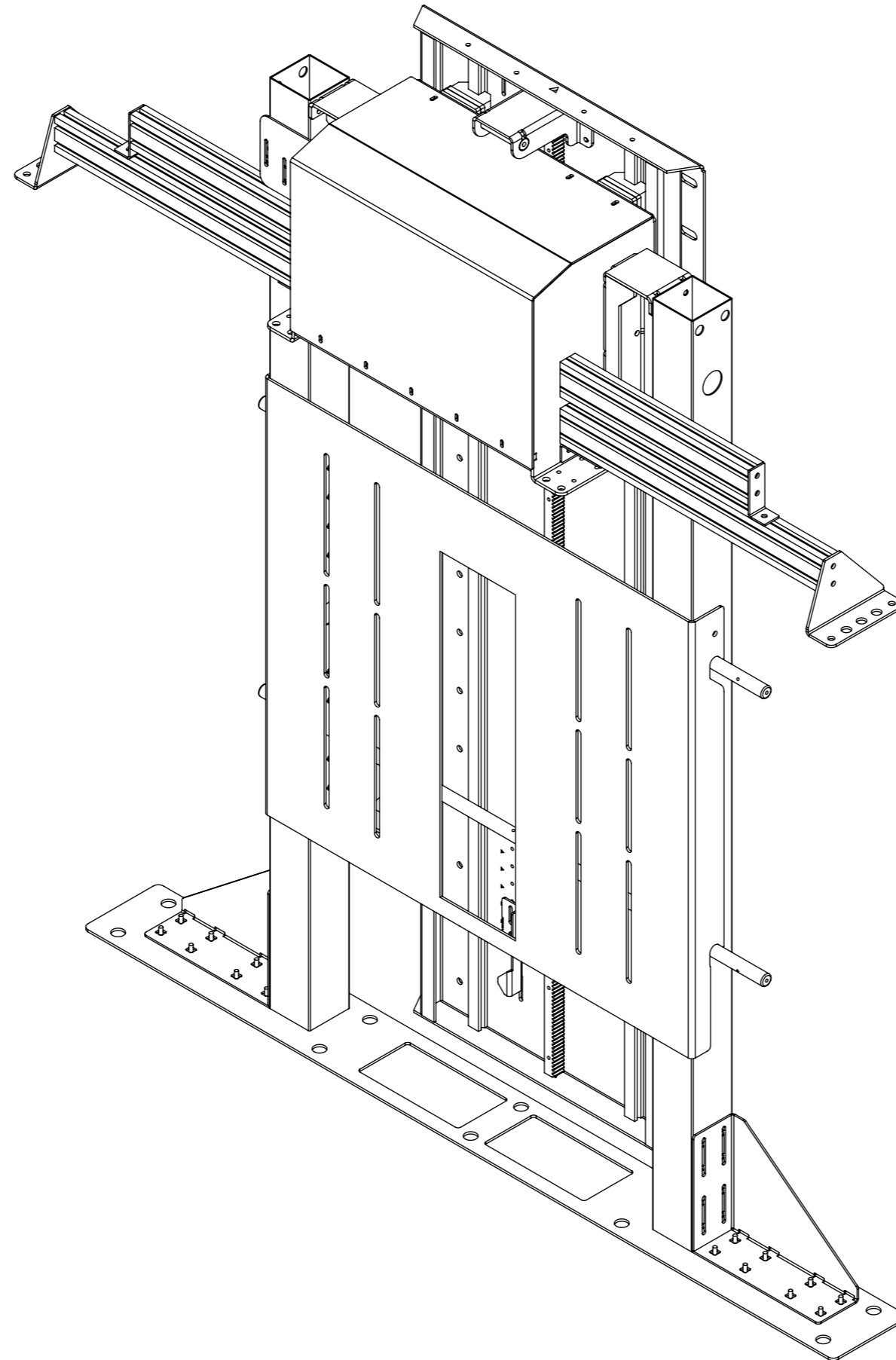


LSH-I

INVERTED LIFT SYSTEM HEAVY



future automation

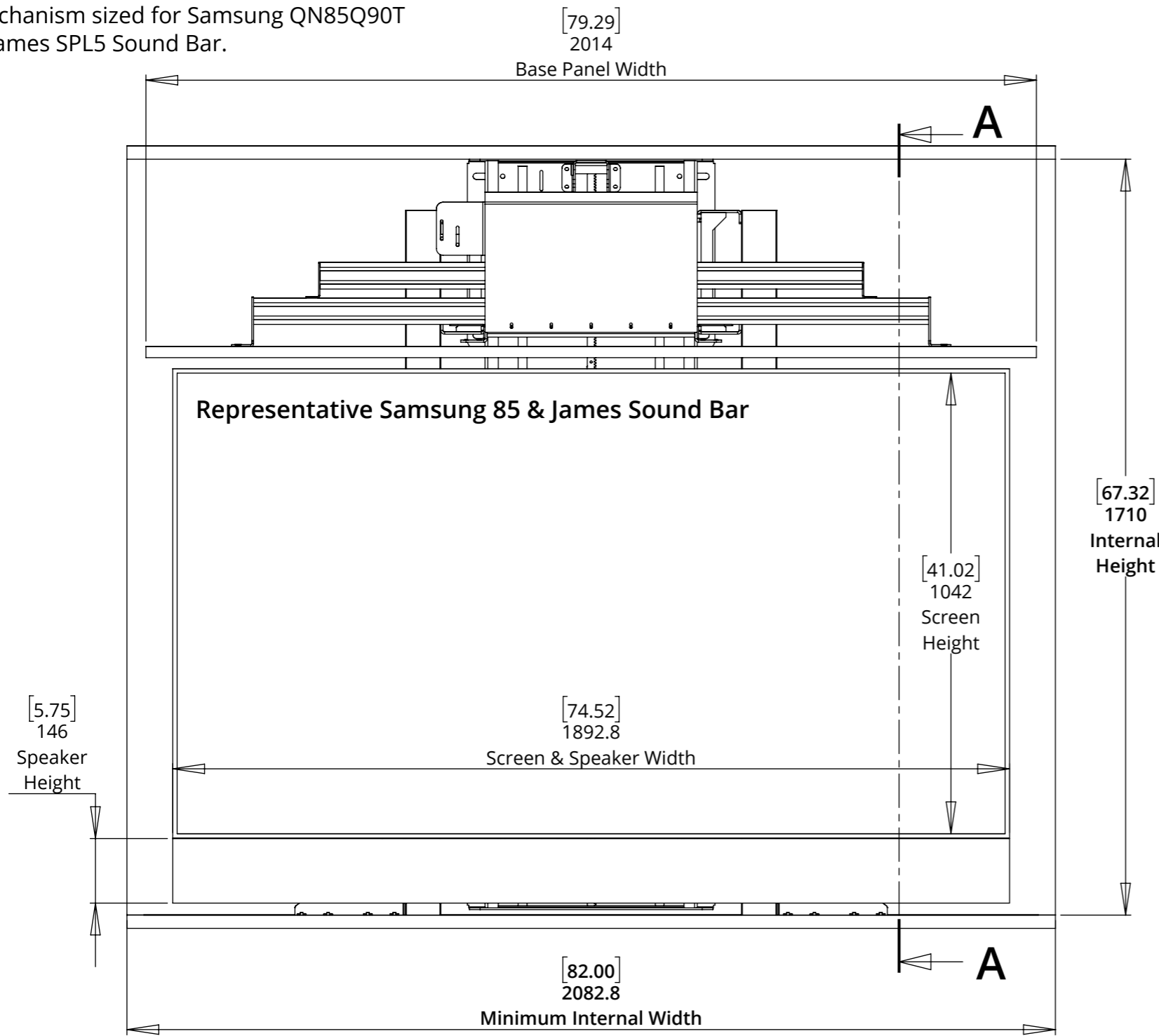


LSH-I INVERTED LIFT SYSTEM HEAVY

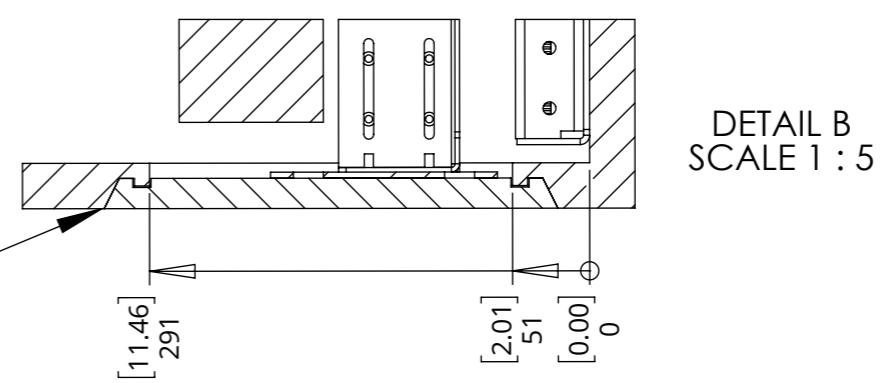
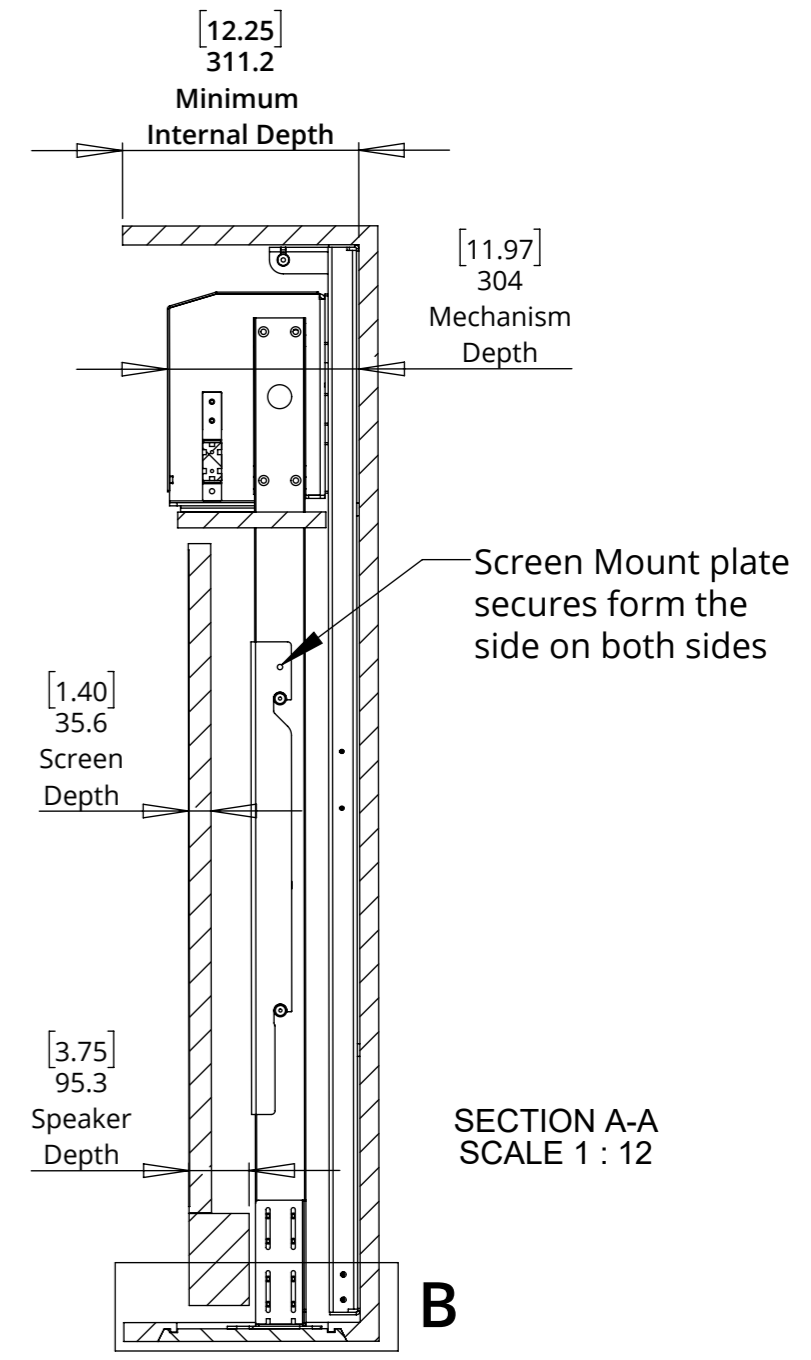


UP POSITION DIMENSIONS

Mechanism sized for Samsung QN85Q90T
& James SPL5 Sound Bar.



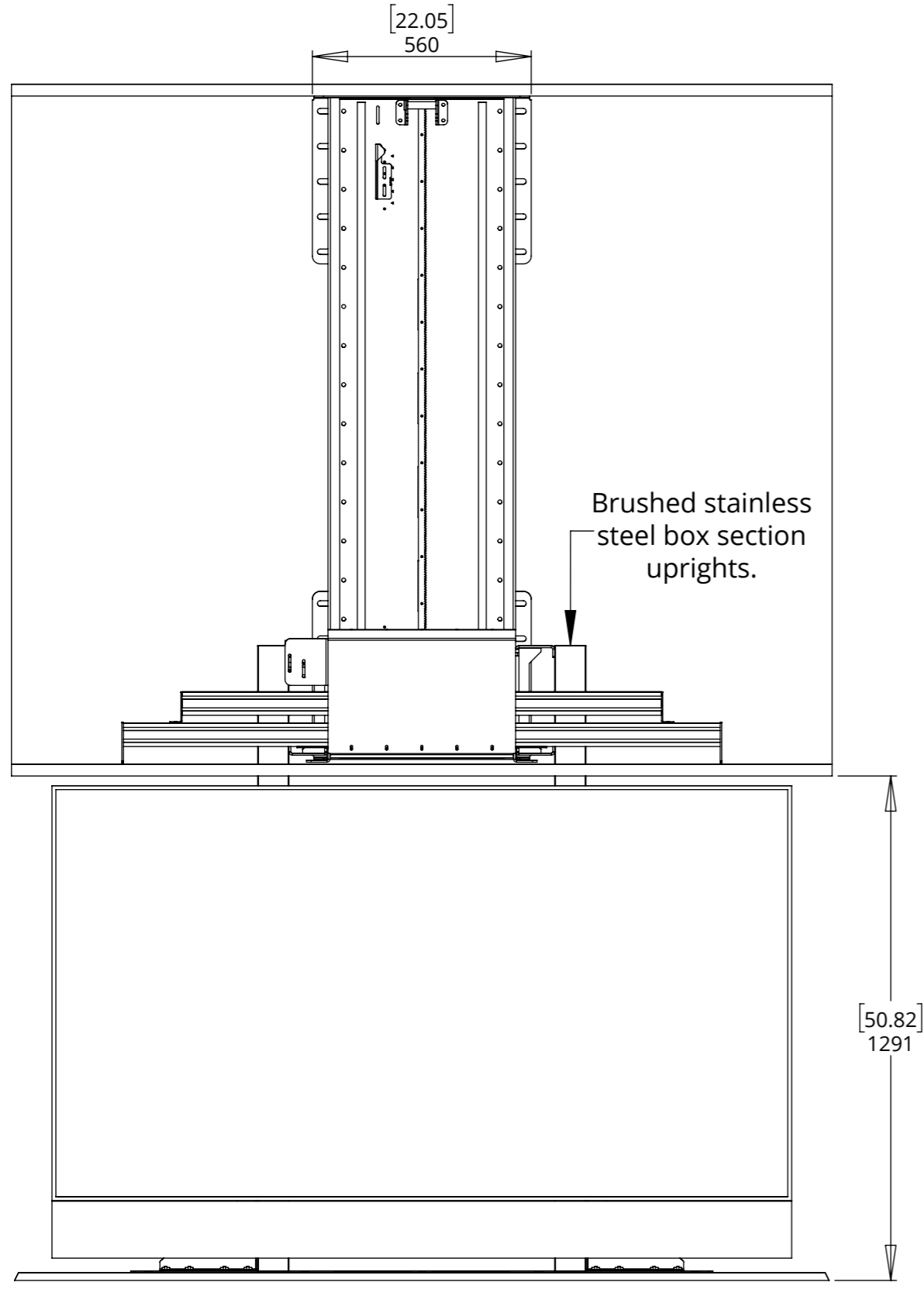
IMPORTANT
Good access from the front of the mechanism required for installation and maintenance.



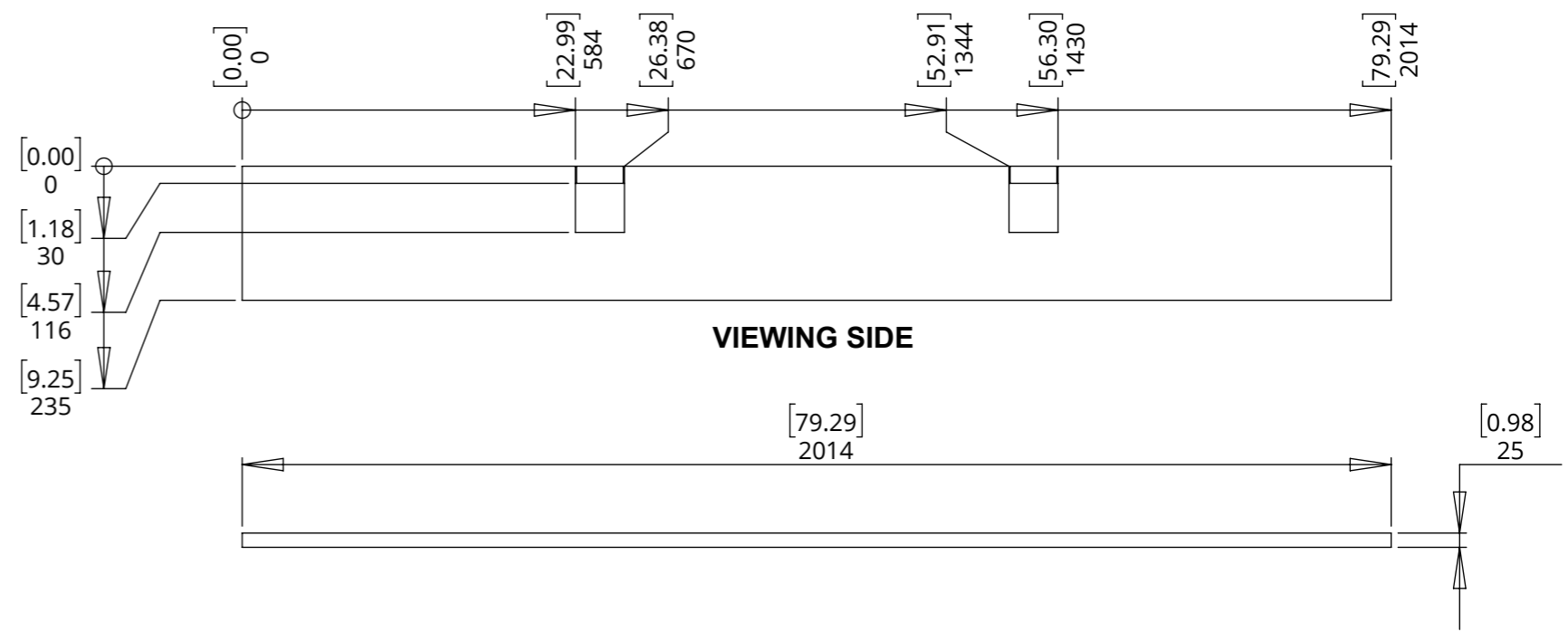
Taper detail helps to locate the Bottom Cap in the UP position.

LSH-I INVERTED LIFT SYSTEM HEAVY

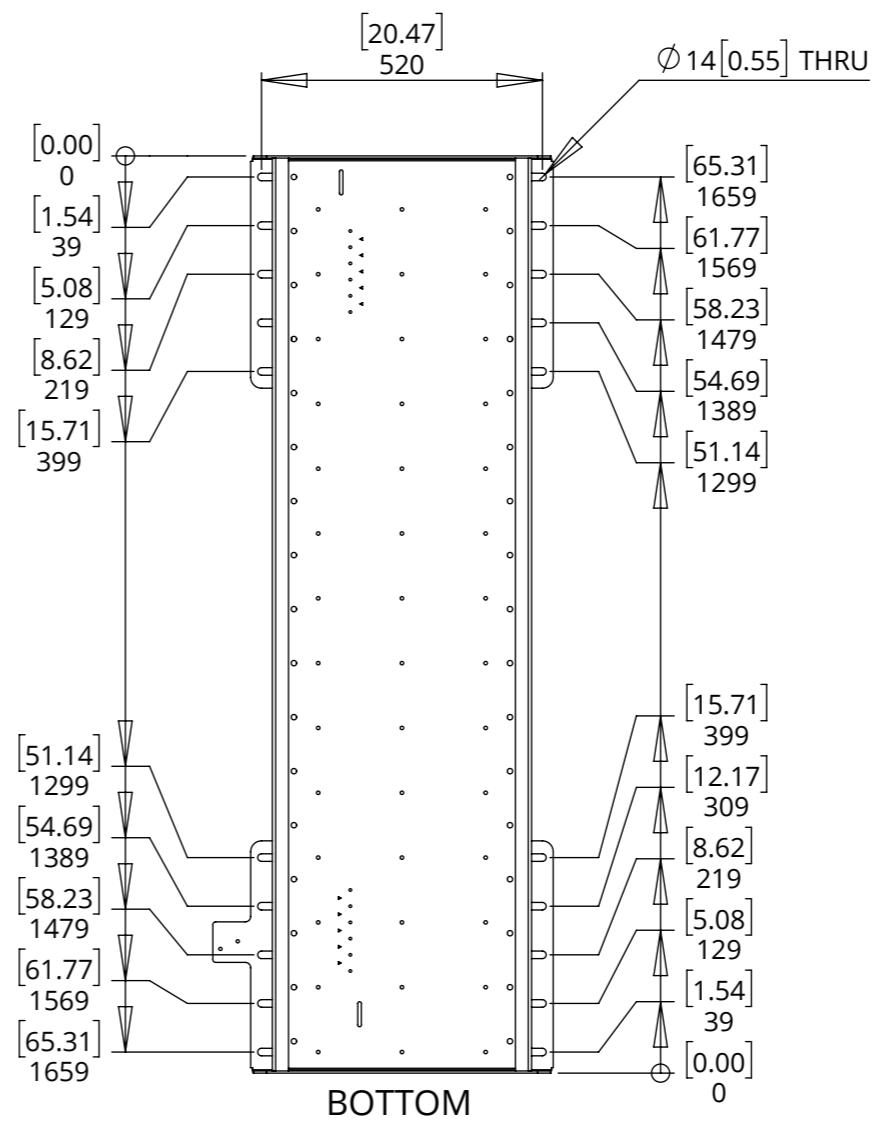
DOWN POSITION DIMENSIONS



BASE PANEL DETAILS



BACK TRAY DETAILS



NOTES:

- All cabinet network shown is representative and must be supplied by others.
- A control box with dimensions 130mm [5.1"] x 150mm [5.9"] x 55mm [2.1"] and power supply with dimensions 280mm [11.0"] x 165mm [6.5"] x 55mm [2.1"] must be stored in an easily accessible location.
- The control box and power supply will be on a 3m [10'] flying lead and requires a single 110/240V AC supply.
- Total lifting capacity of mechanism = 120kg [264lbs].