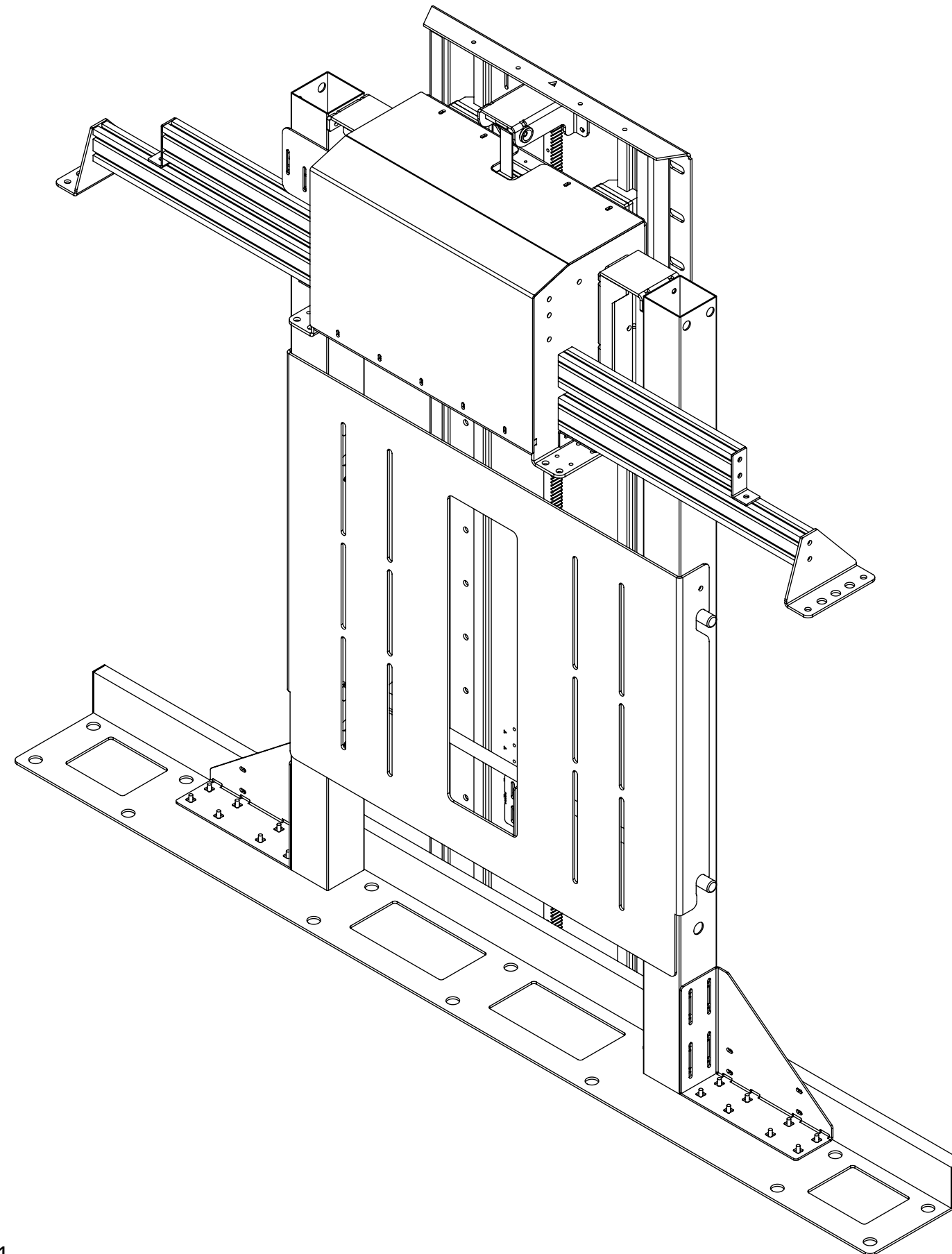


LSH-I

INVERTED LIFT SYSTEM HEAVY



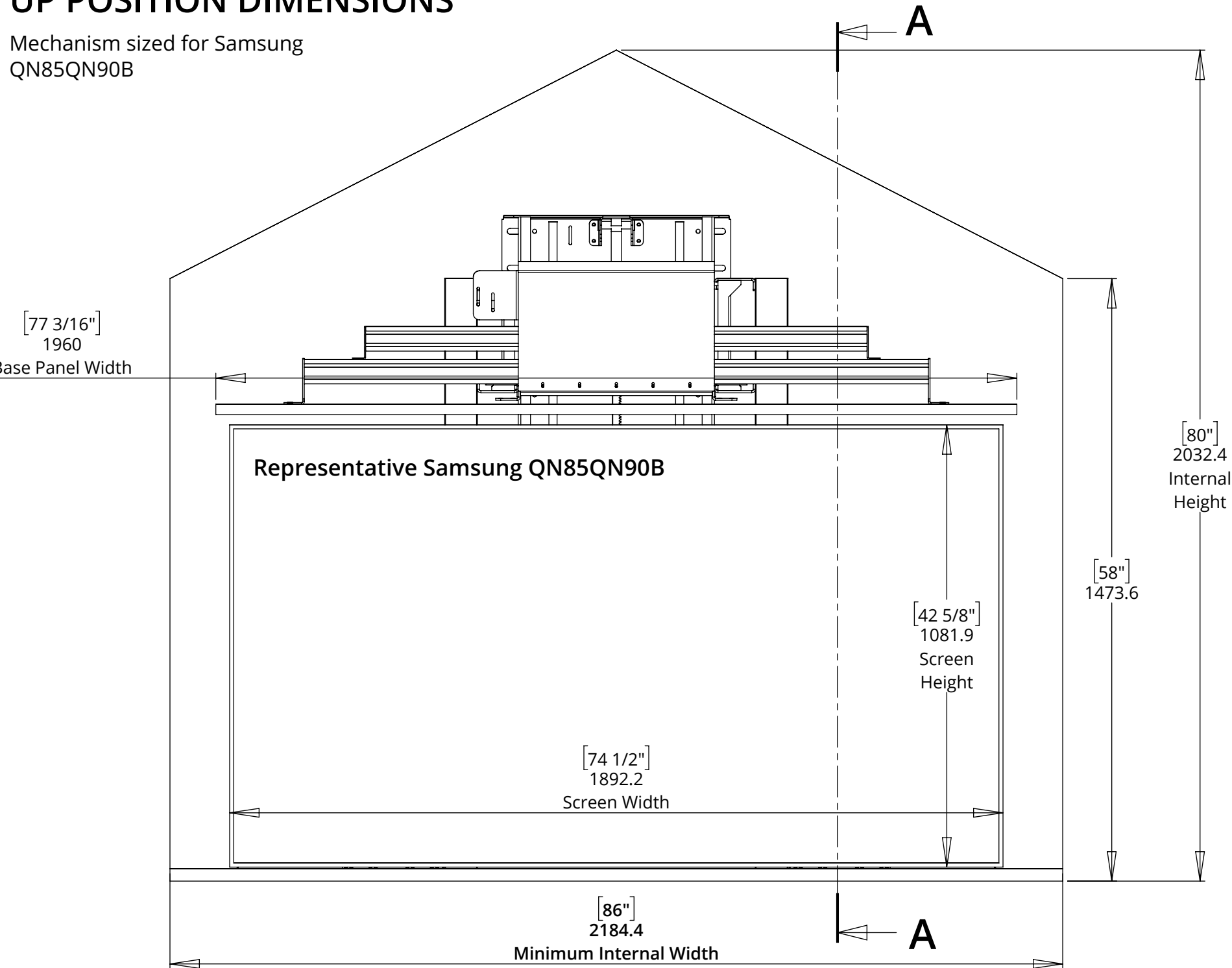
future automation



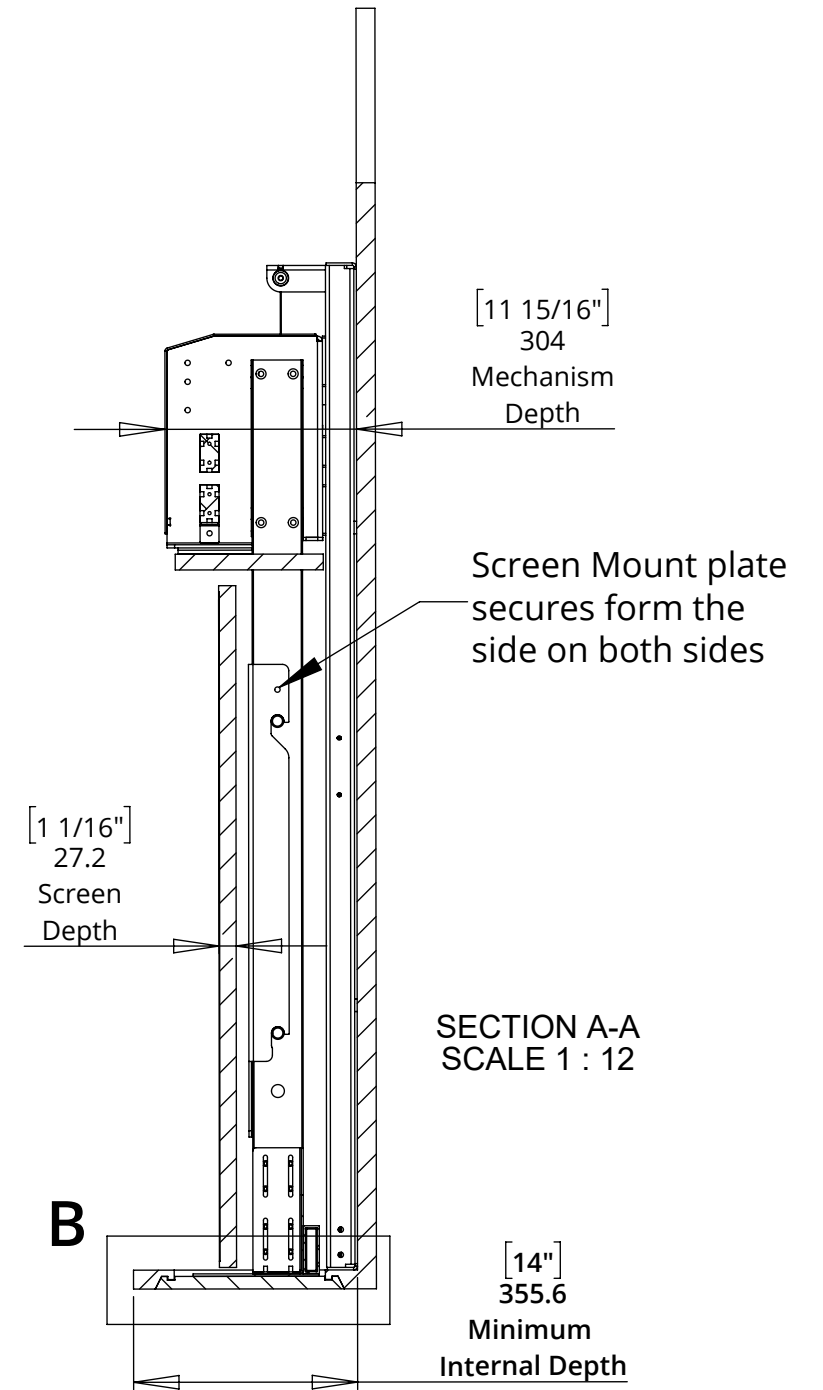
LSH-I INVERTED LIFT SYSTEM HEAVY

UP POSITION DIMENSIONS

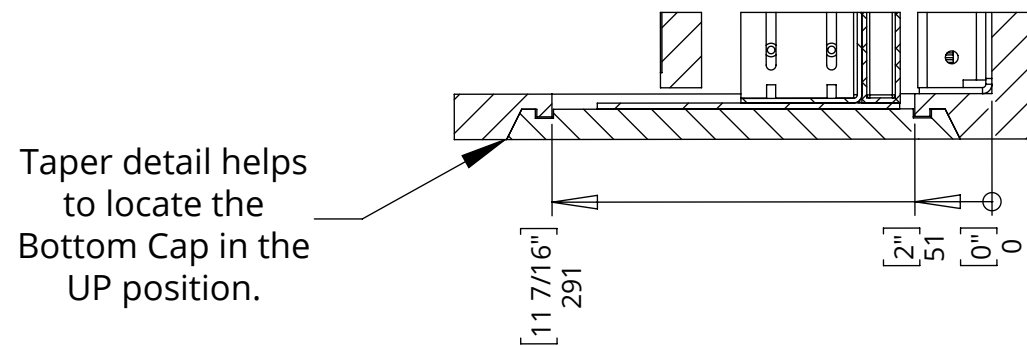
Mechanism sized for Samsung
QN85QN90B



IMPORTANT
Good access from
the front of the
mechanism
required for
installation and
maintenance.



B
Minimum
Internal Depth
[14\"/>

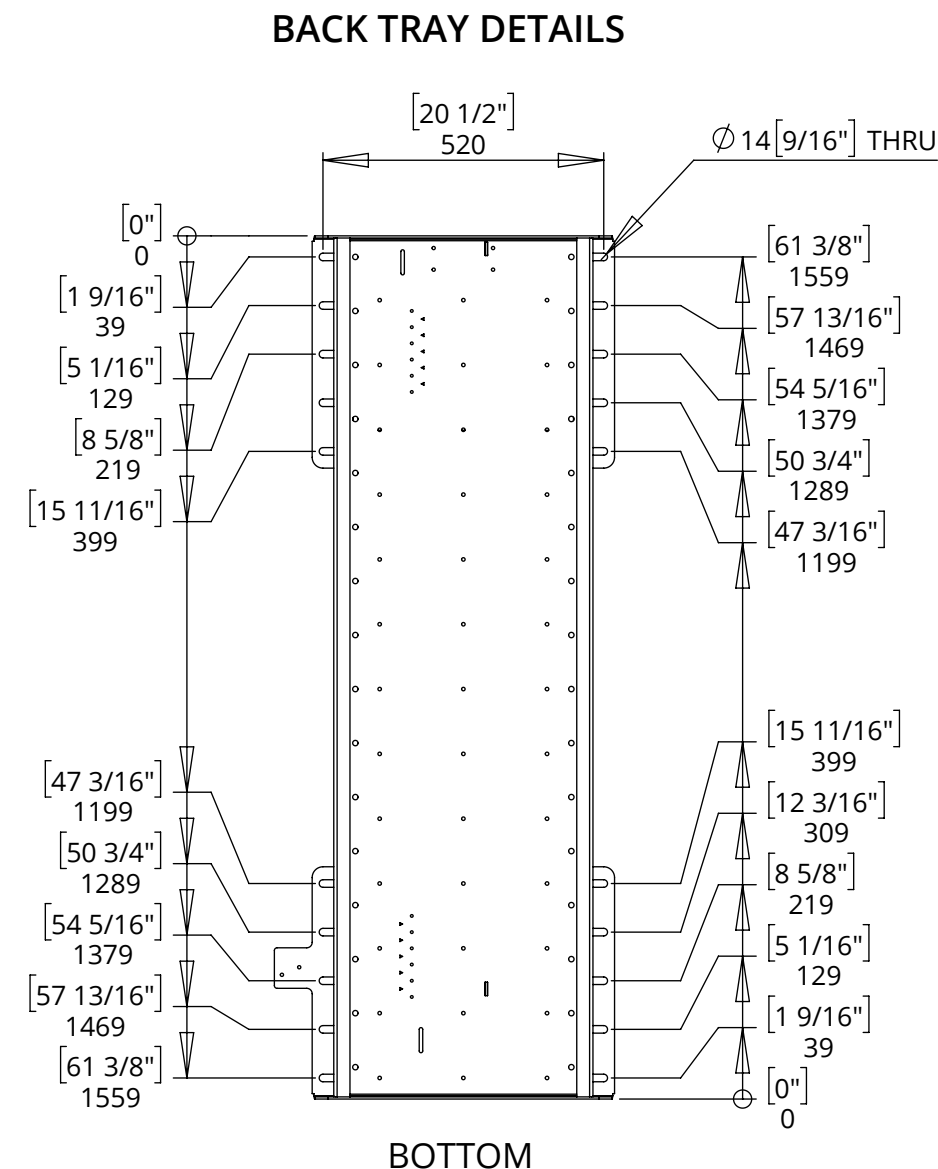
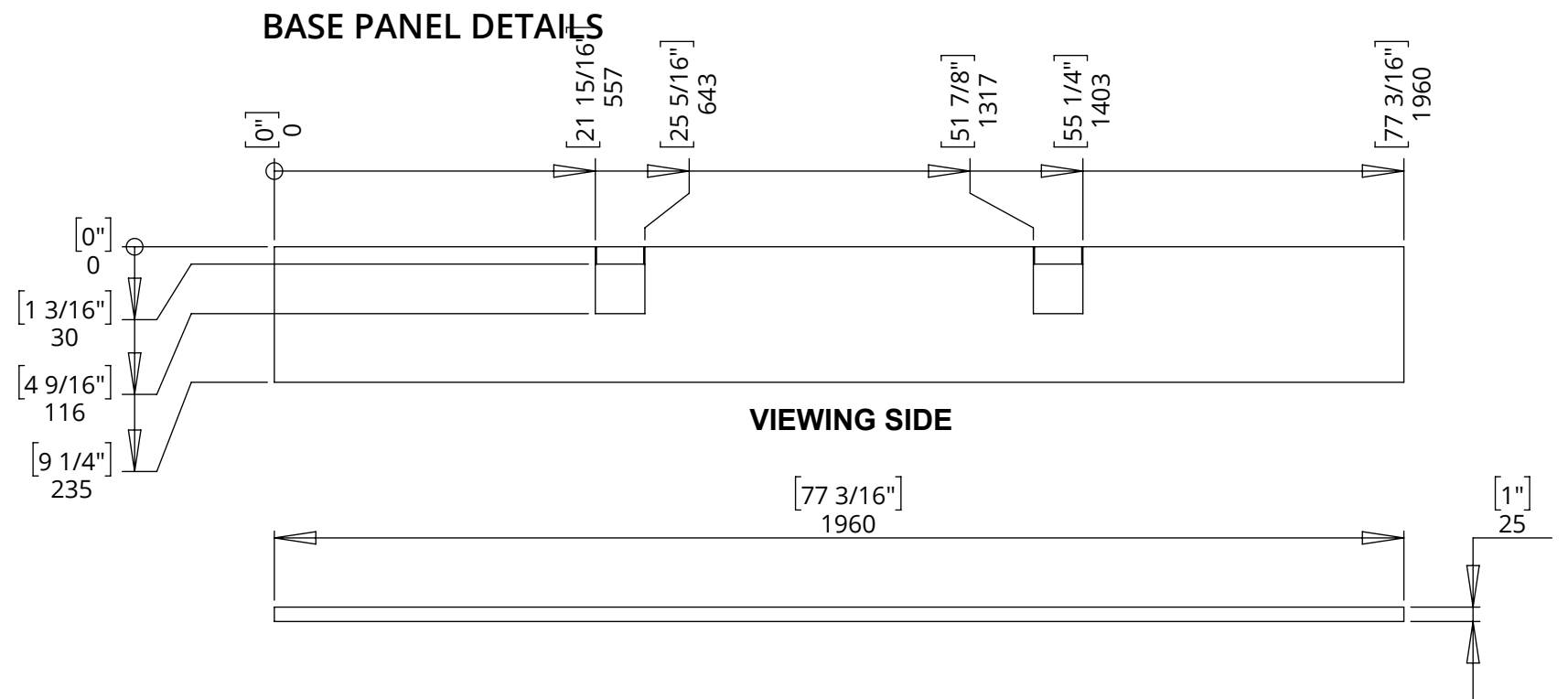
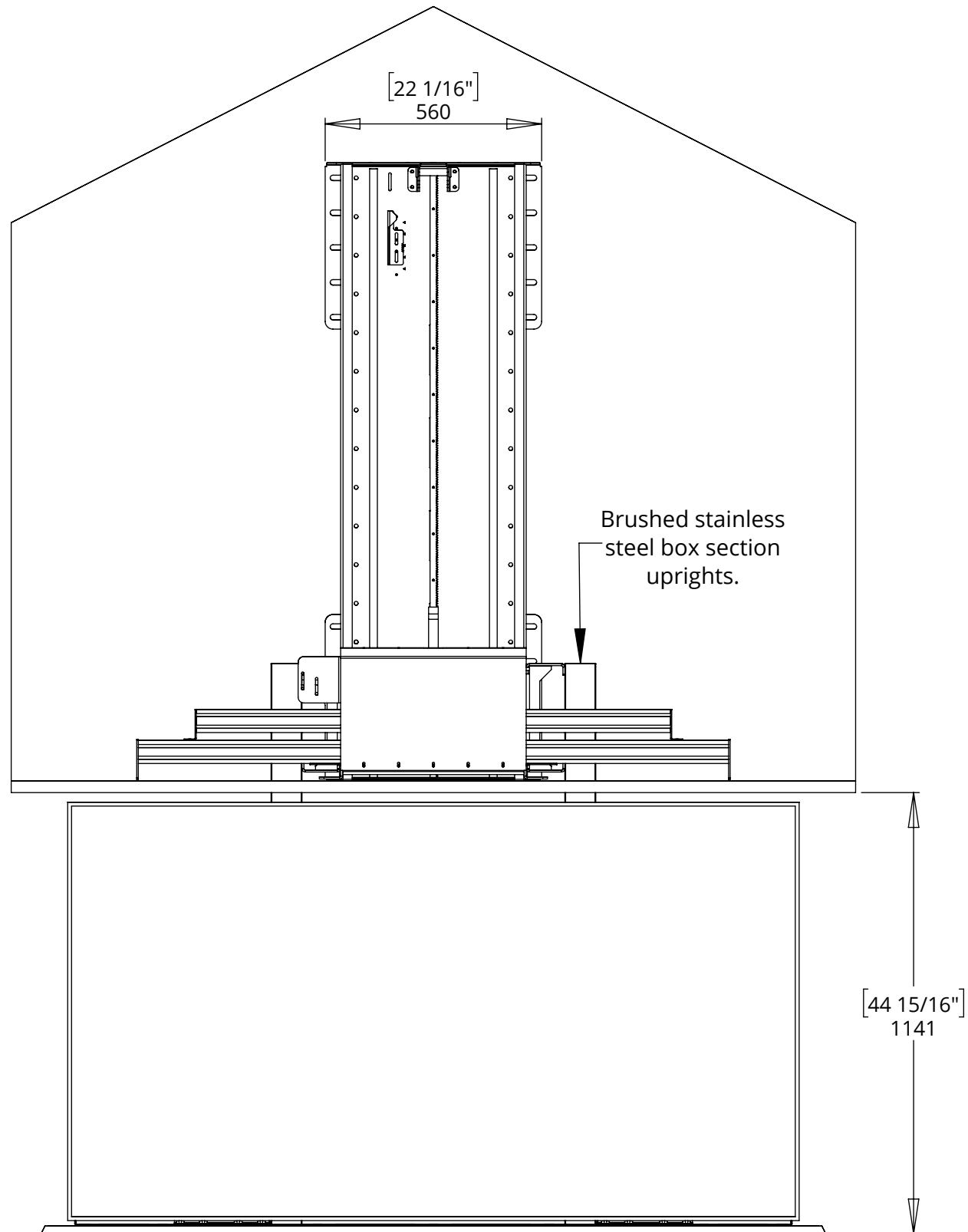


Taper detail helps
to locate the
Bottom Cap in the
UP position.

DETAIL B
SCALE 1 : 5

LSH-I INVERTED LIFT SYSTEM HEAVY

DOWN POSITION DIMENSIONS



- NOTES:**
- All cabinetwork shown is representative and must be supplied by others.
 - A control box with dimensions 130mm [5.1"] x 150mm [5.9"] x 55mm [2.1"] and power supply with dimensions 280mm [11.0"] x 165mm [6.5"] x 55mm [2.1"] must be stored in an easily accessible location.
 - The control box and power supply will be on a 3m [10'] flying lead and requires a single 110/240V AC supply.
 - Total lifting capacity of mechanism = 120kg [264lbs].