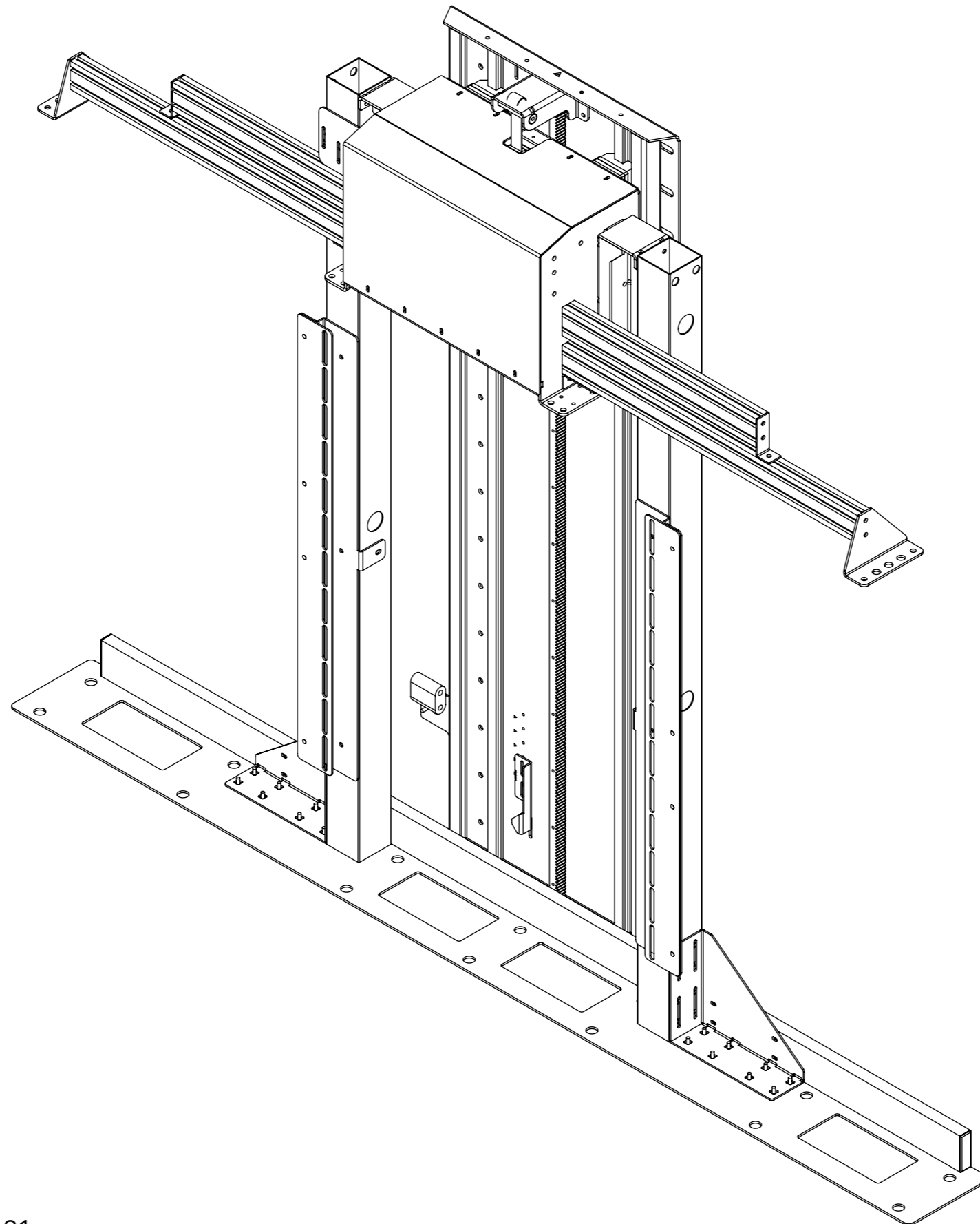


LSH-I

INVERTED LIFT SYSTEM HEAVY



future automation

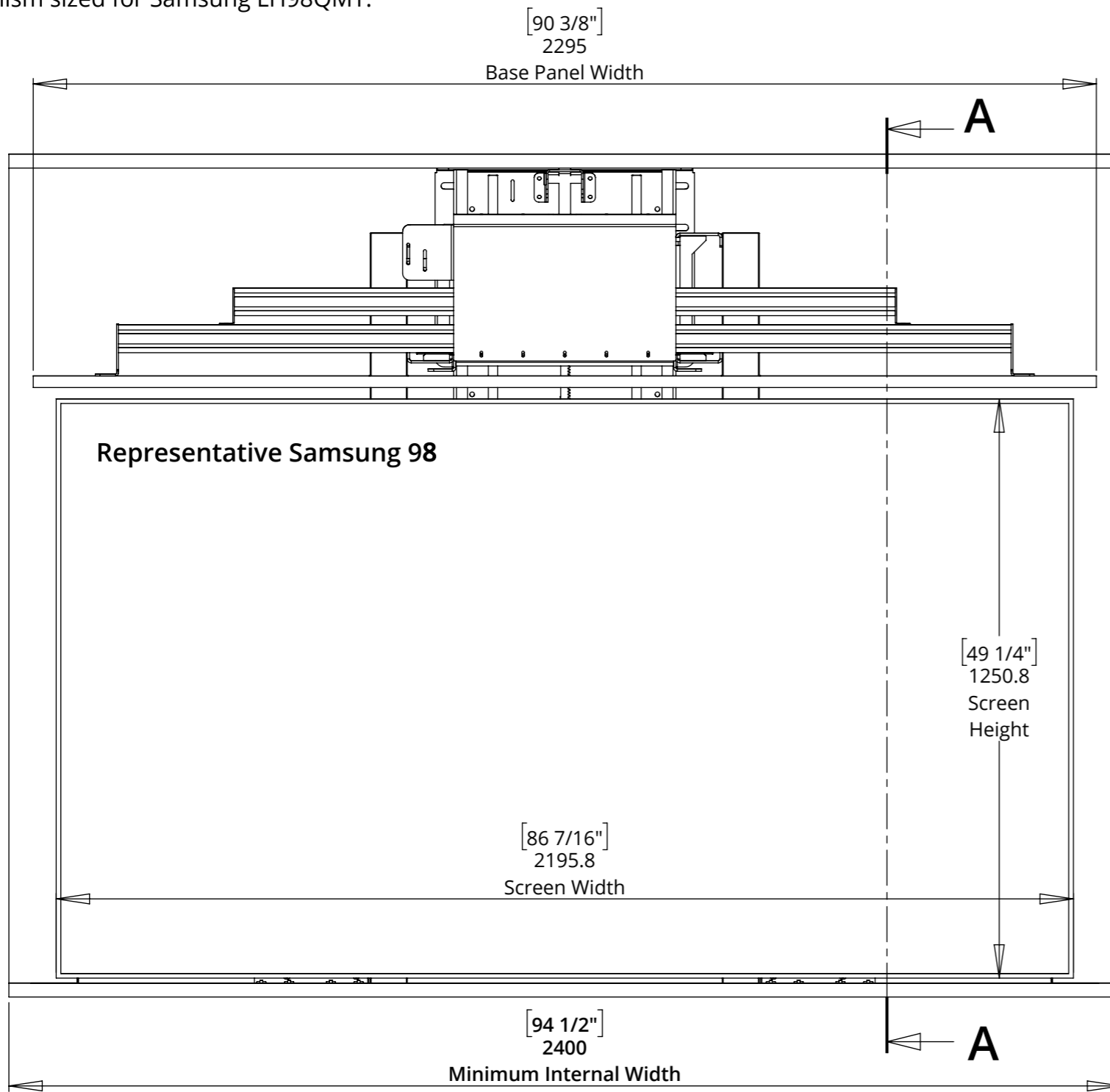


LSH-I INVERTED LIFT SYSTEM HEAVY

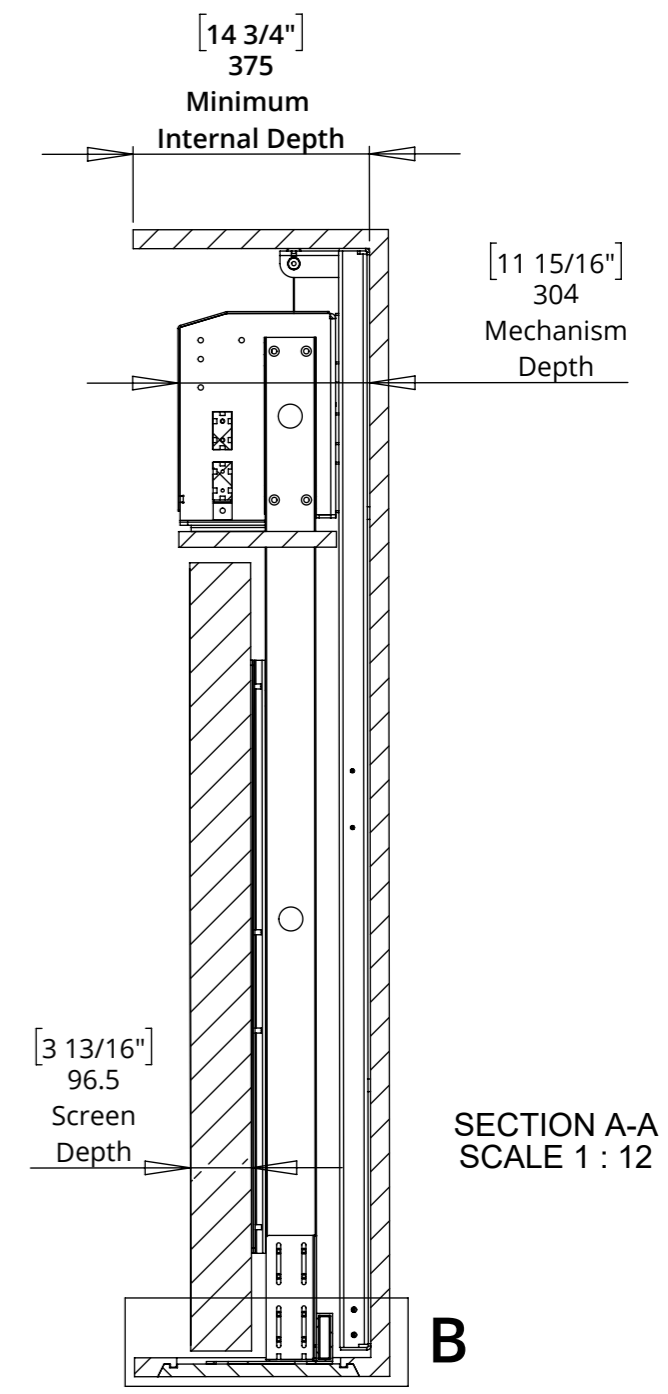


UP POSITION DIMENSIONS

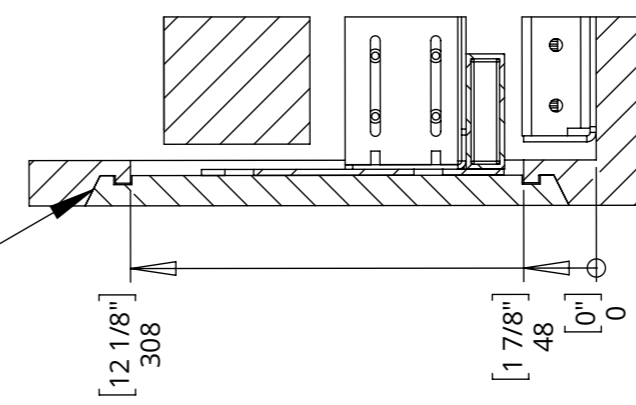
Mechanism sized for Samsung LH98QMT.



IMPORTANT
Good access from the front of the mechanism required for installation and maintenance.

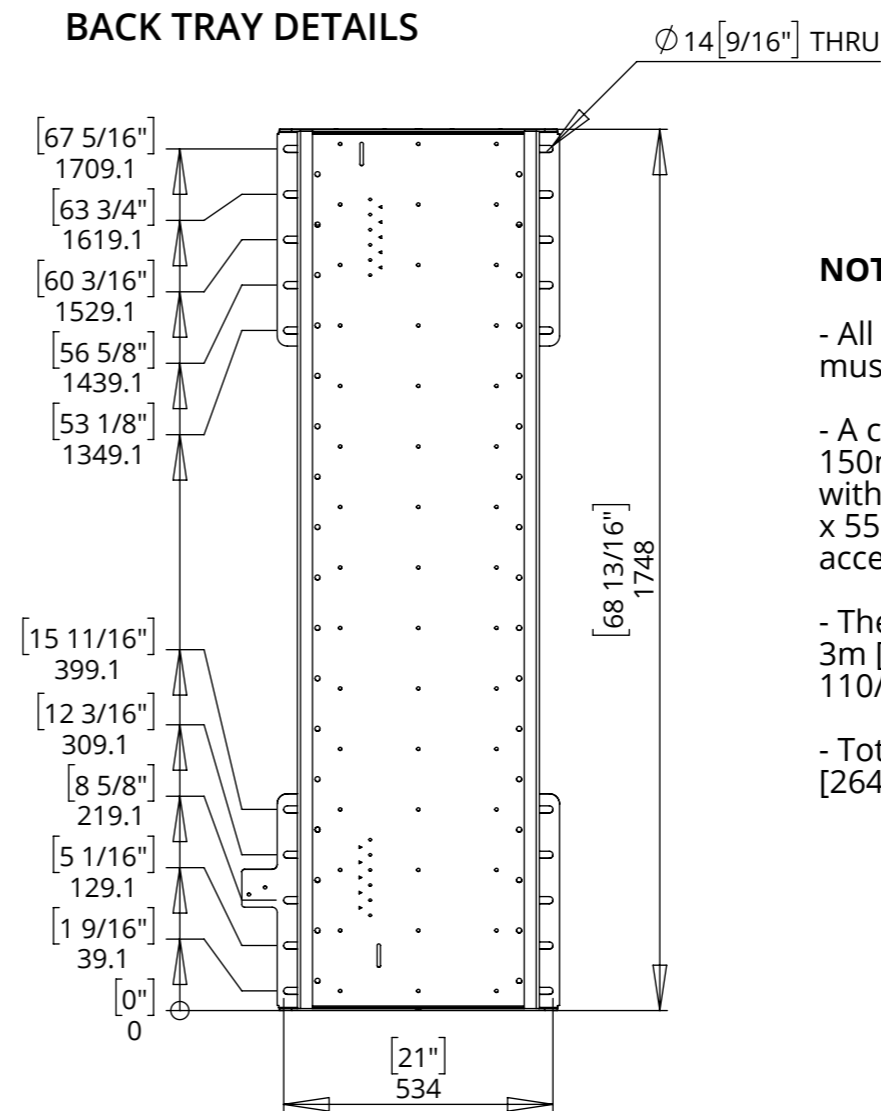
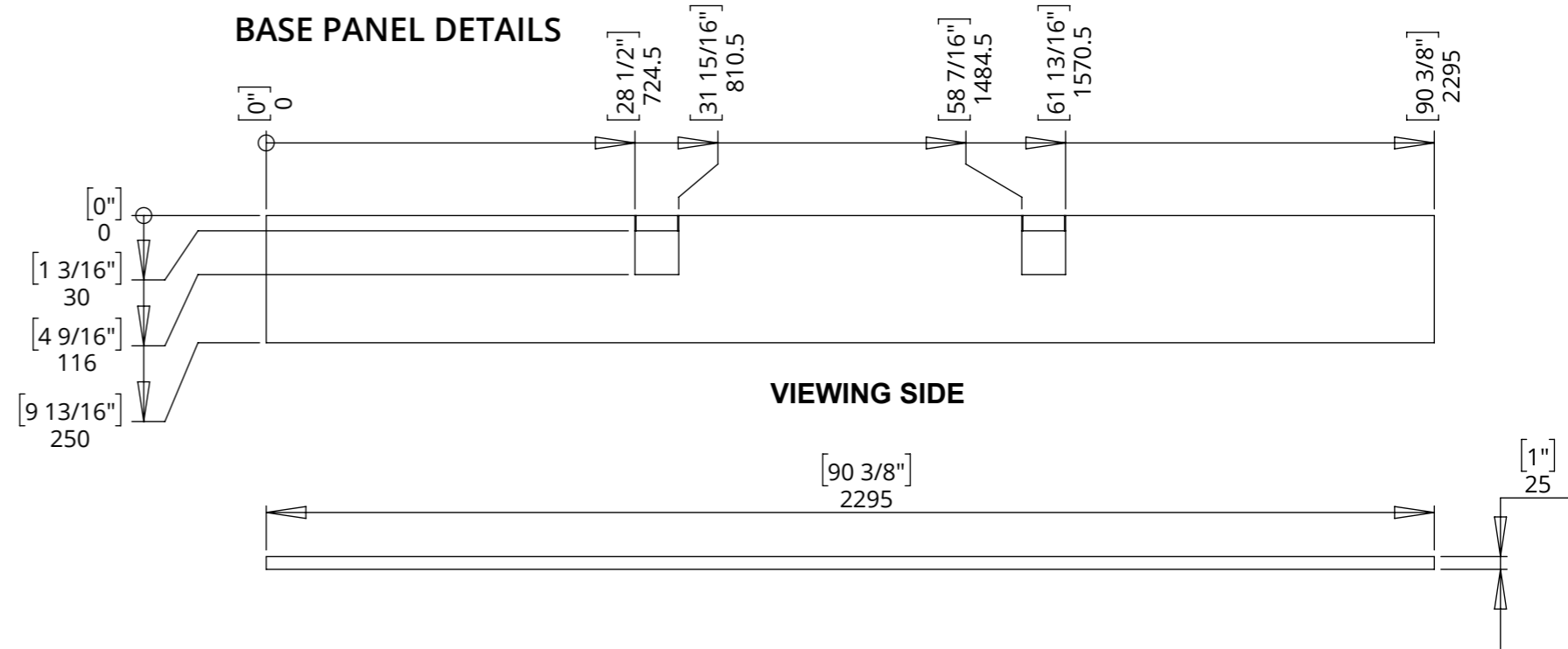
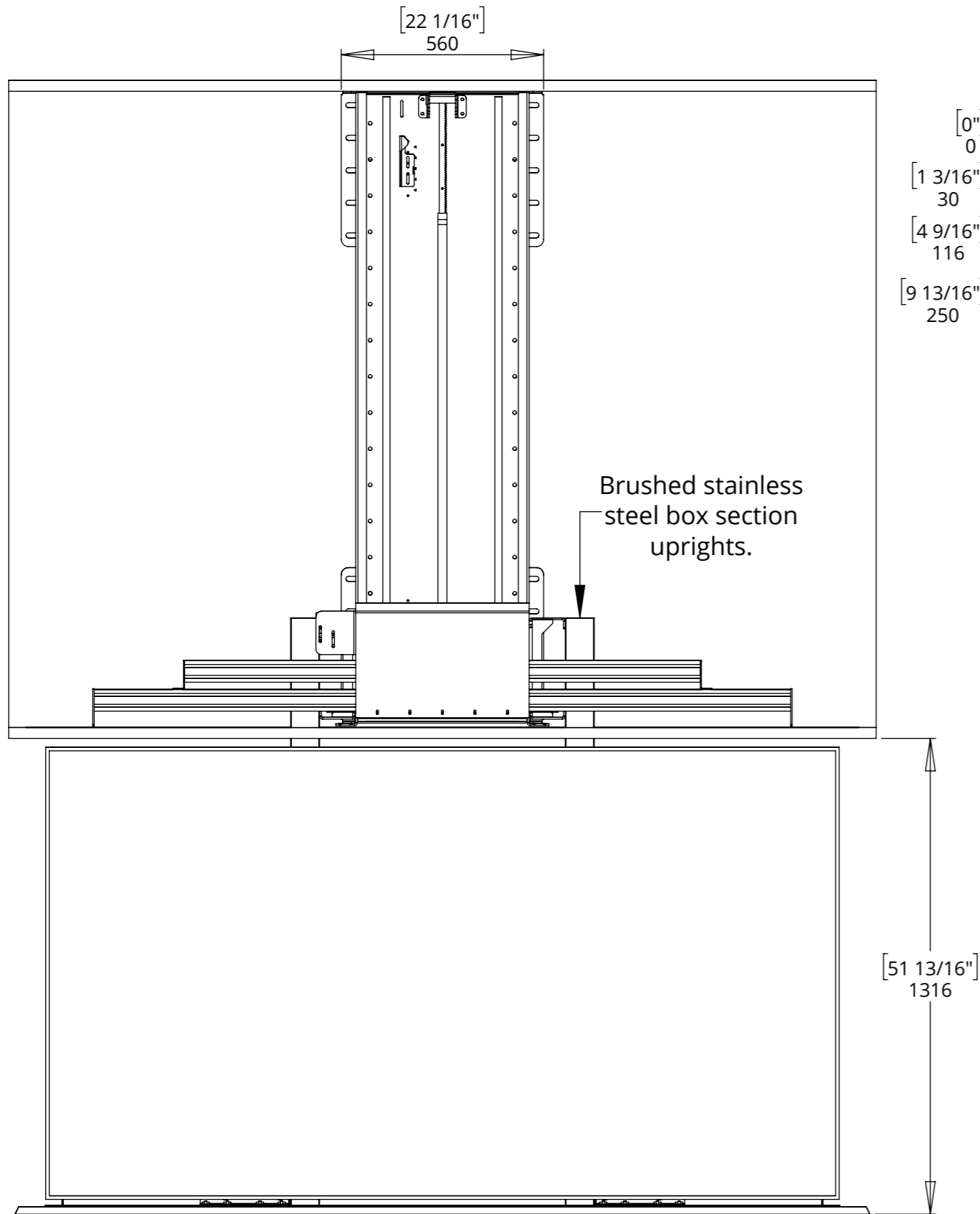


Taper detail helps to locate the Bottom Cap in the UP position.



LSH-I INVERTED LIFT SYSTEM HEAVY

DOWN POSITION DIMENSIONS



NOTES:

- All cabinet network shown is representative and must be supplied by others.
- A control box with dimensions 130mm [5.1"] x 150mm [5.9"] x 55mm [2.1"] and power supply with dimensions 280mm [11.0"] x 165mm [6.5"] x 55mm [2.1"] must be stored in an easily accessible location.
- The control box and power supply will be on a 3m [10'] flying lead and requires a single 110/240V AC supply.
- Total lifting capacity of mechanism = 120kg [264lbs].