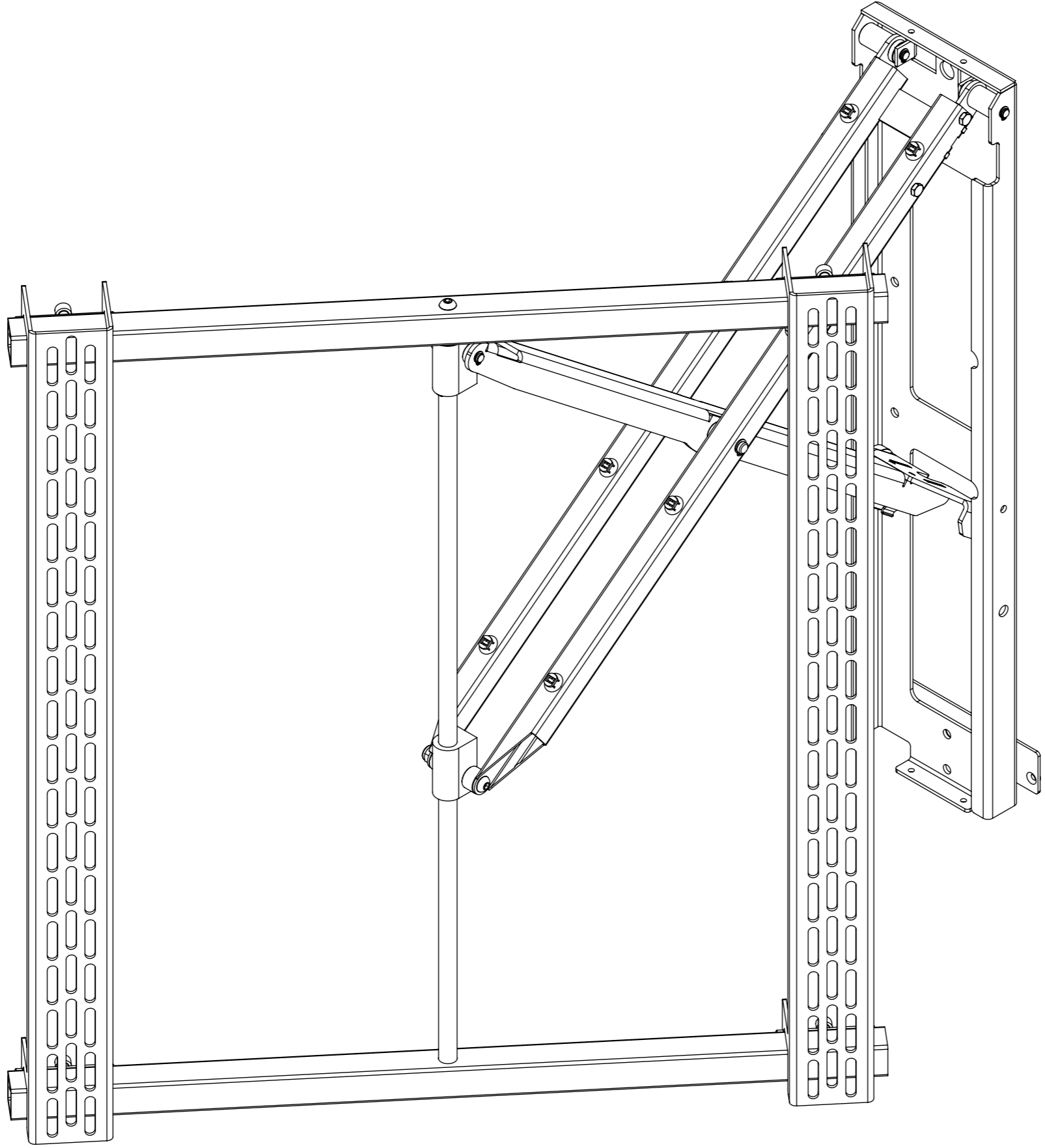


# IP-PS65

## OUTDOOR PULL & SWIVEL MANUAL WALL MOUNT



future automation



# IP-PS65

## OUTDOOR PULL & SWIVEL MANUAL WALL MOUNT



future automation

SPECIFICATION	MEASUREMENTS
Maximum Screen Size	65" - 75"
Maximum Weight Capacity	60Kg (132lb)
Maximum Extension From Wall	595mm (23.4")
Depth From Wall	52mm (2")
Packaging Dimensions	335 x 755 x 70mm (13.18 x 29.72 x 2.75")
Shipping Weight	16Kg (35lb)
Maximum Rotation	50° - Bi-directional with 65" screen - 43° with 75"
Movement Type	Manual
Mounting Patterns Supported	VESA 400, 300, 200, 100 W x 600, 500, 400, 300, 200, 100 H
Product Options / Features	Specific B&O and Loewe mounts / adapters, Custom RAL paint finishes
Package Contents	Mechanism, Bolt Pack
Marine Suitable	No

# IP-PS65



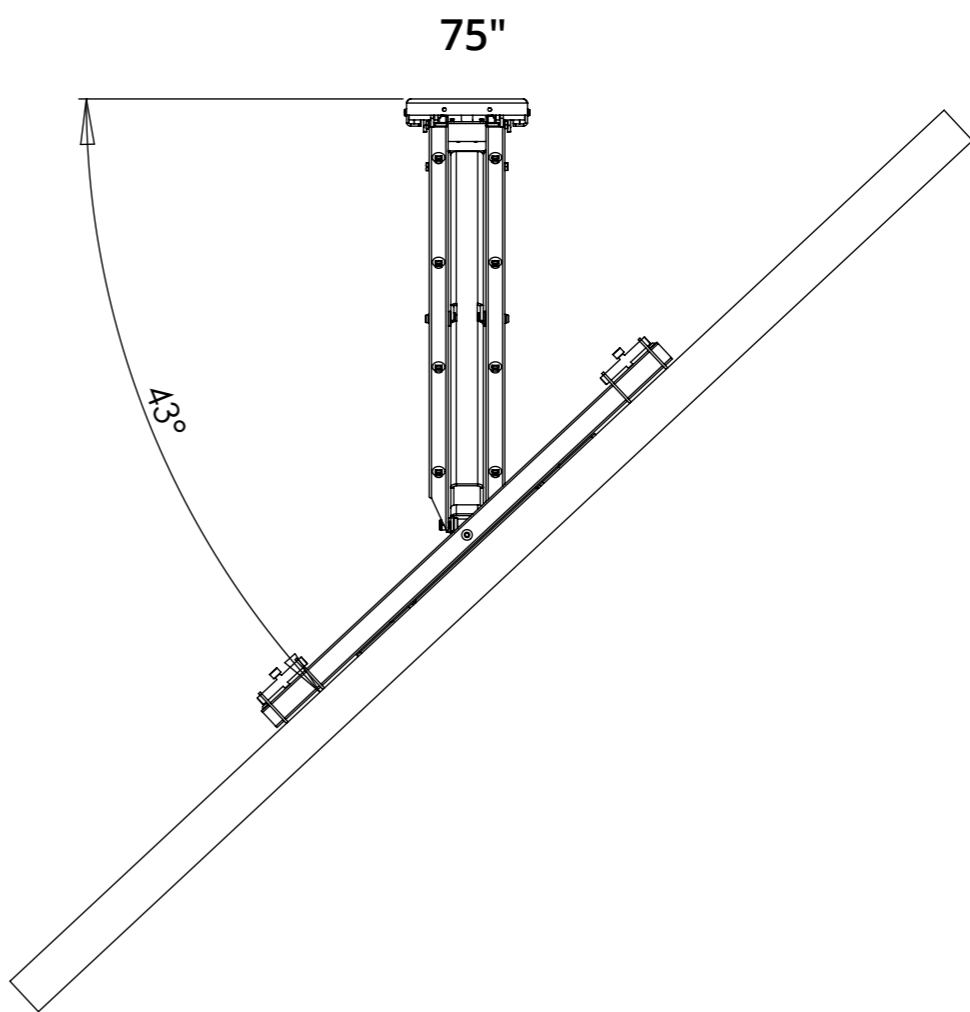
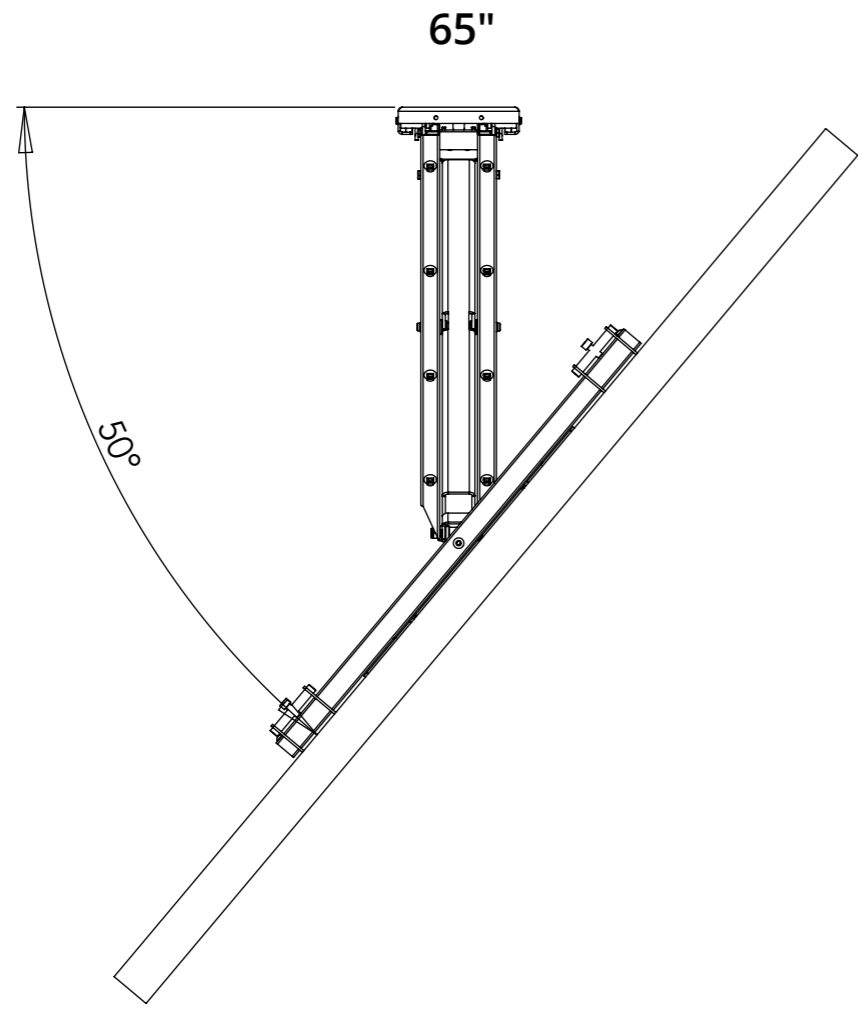
future automation

## OUTDOOR PULL & SWIVEL MANUAL WALL MOUNT

### SCREEN SIZES

The views below show the approximate maximum swivel angles achievable for varying screen sizes.

**Note:** The maximum swivel angle achievable is 50° regardless of screen size



# IP-PS65

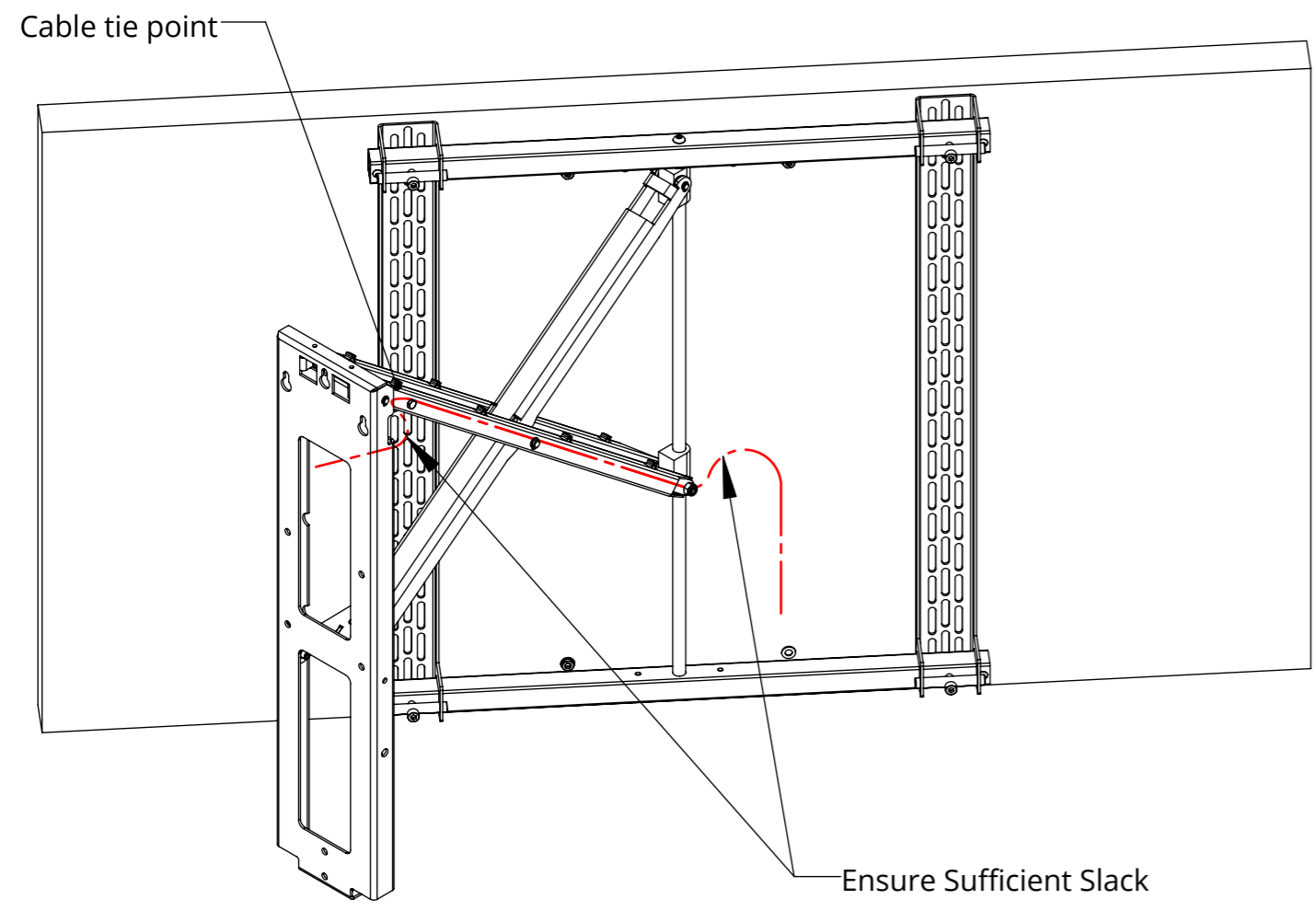


future automation

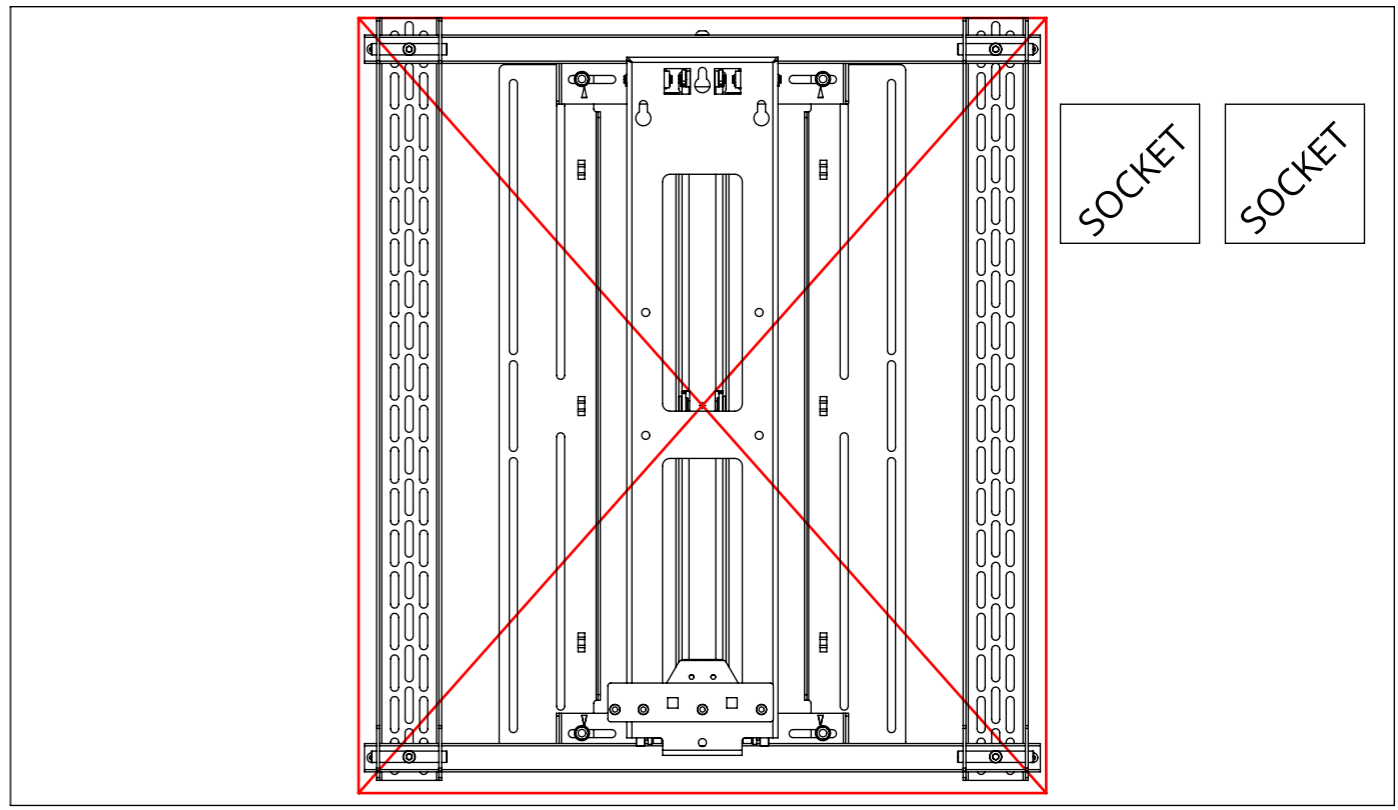
## OUTDOOR PULL & SWIVEL MANUAL WALL MOUNT

### CABLE ROUTING & SOCKET PLACEMENT

Route the screen cables as shown ensuring sufficient slack at moving points and secure in place using the integrated cable tie points.



Wall sockets should be ideally placed as shown outside of the bracket footprint to maximise space for cable routing



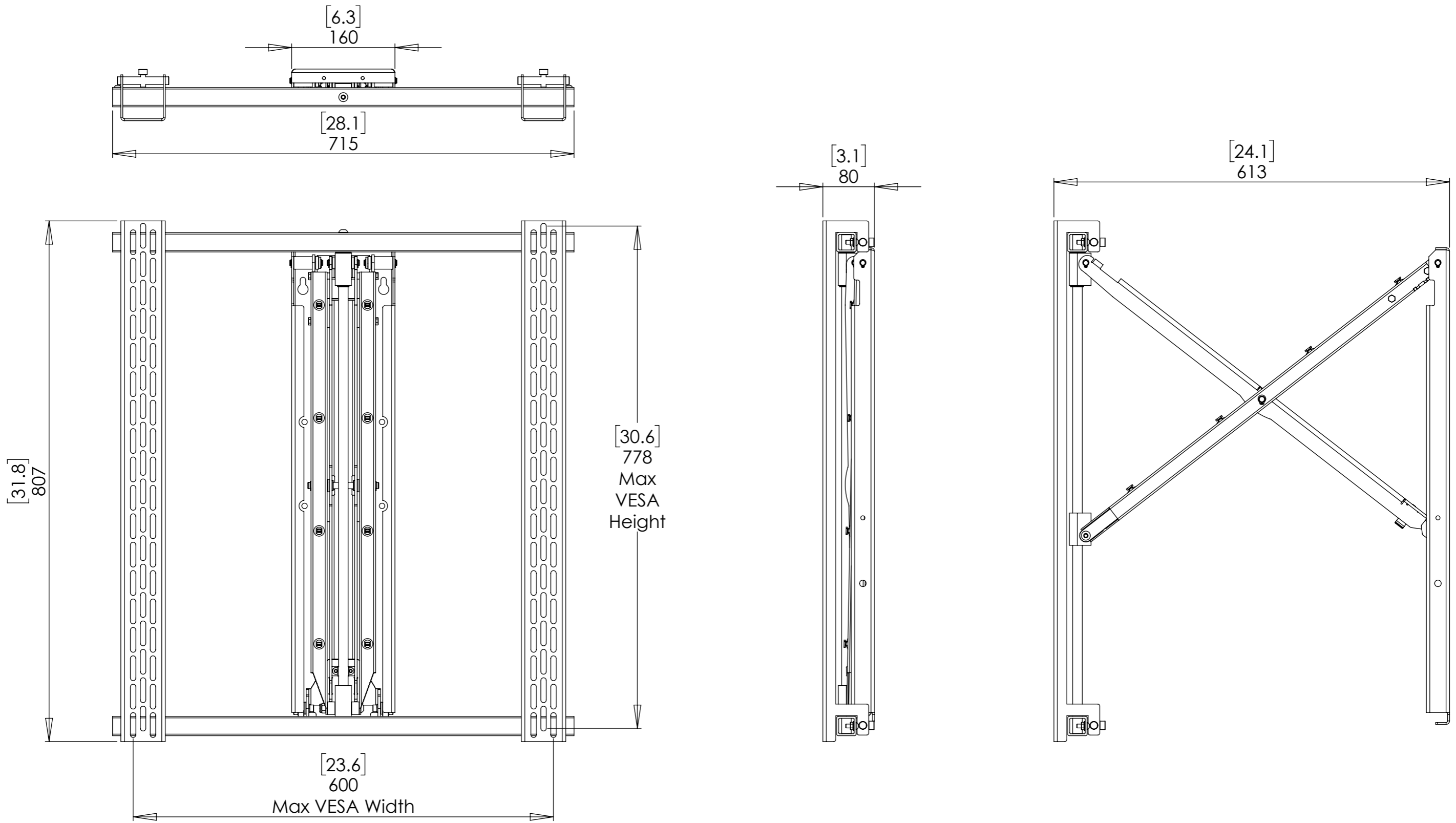
# IP-PS65



future automation

## OUTDOOR PULL & SWIVEL MANUAL WALL MOUNT

### GENERAL DIMENSIONS



# IP-PS65



future automation

## OUTDOOR PULL & SWIVEL MANUAL WALL MOUNT

### WALL PLATE DIMENSIONS

Make sure the wall that the bracket is being mounted to is secure and strong enough to support the bracket and screen.

