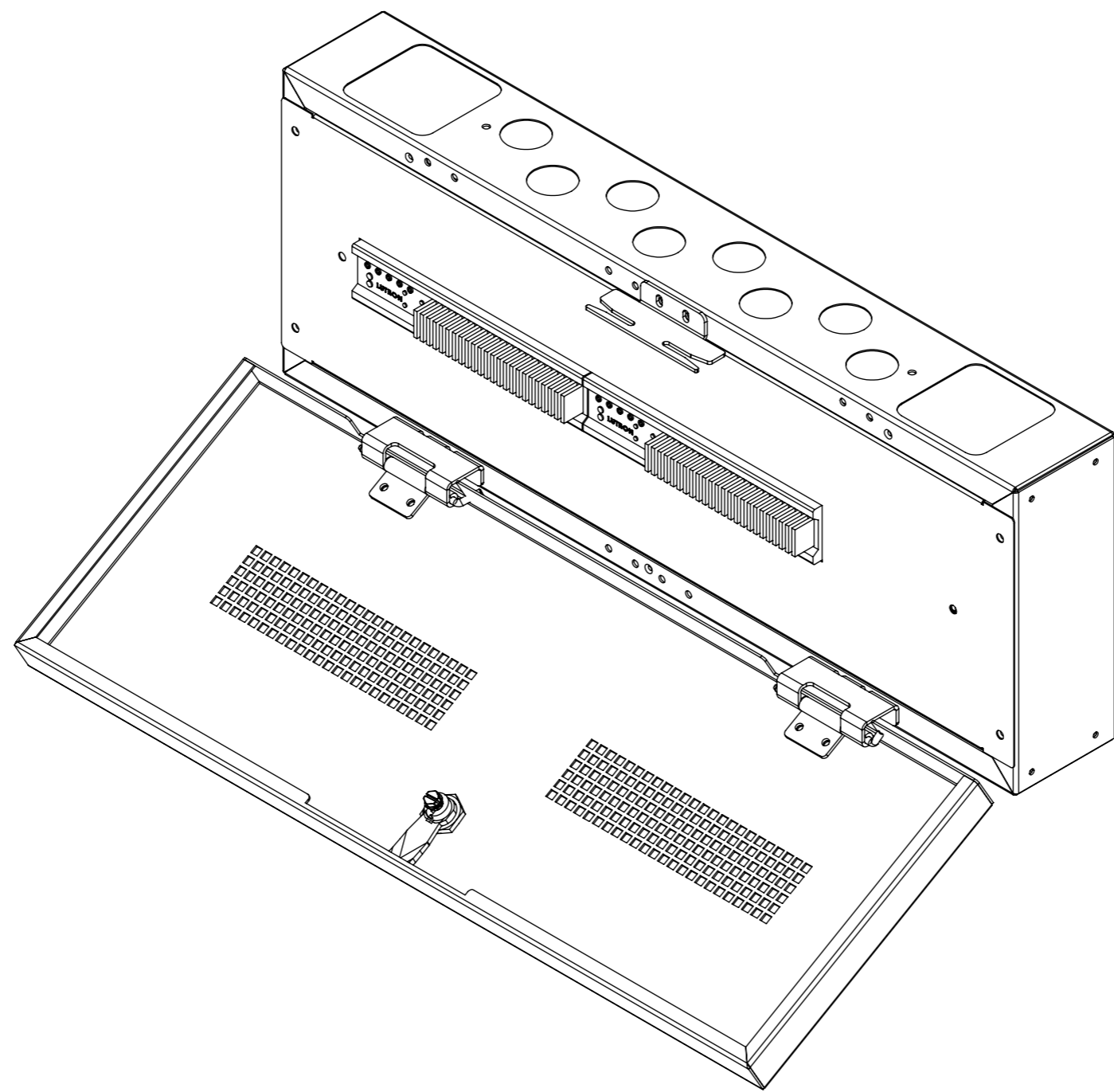


LCP 1RE

LUTRON CONTROL PANEL - 1 RAIL EXPANSION



future automation



LCP 1RE

LUTRON CONTROL PANEL - 1 RAIL EXPANSION



future automation

SPECIFICATION	MEASUREMENTS
Product Dimensions	250mm (9.8") x 690mm (27.2") x 141.5mm (5.6")
Number of DIN Rails	1
Finish (Custom Available)	Lid - Black Textured Paint, Box - Zintec Coated Steel
Depth From Wall	141.5mm (5.6")
Wall Mount Type	8mm (3.1") Keyhole Slots
Shipping Dimensions	380mm (15.0") x 840mm (33.0") x 210 (8.3")
Shipping Weight	8Kg (18lbs)

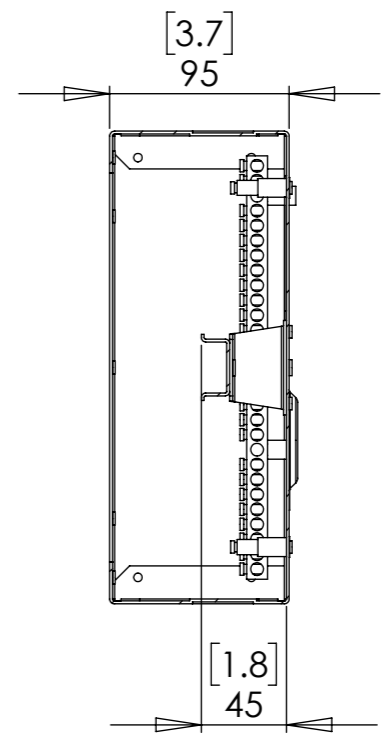
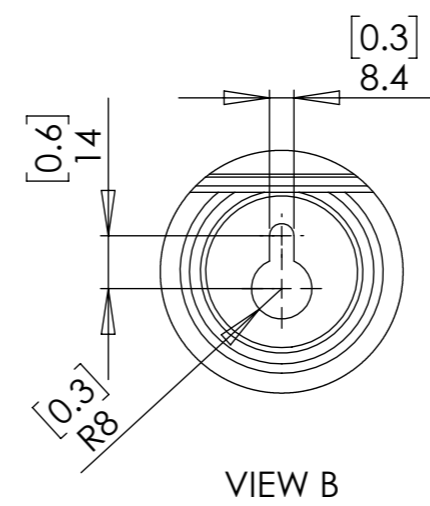
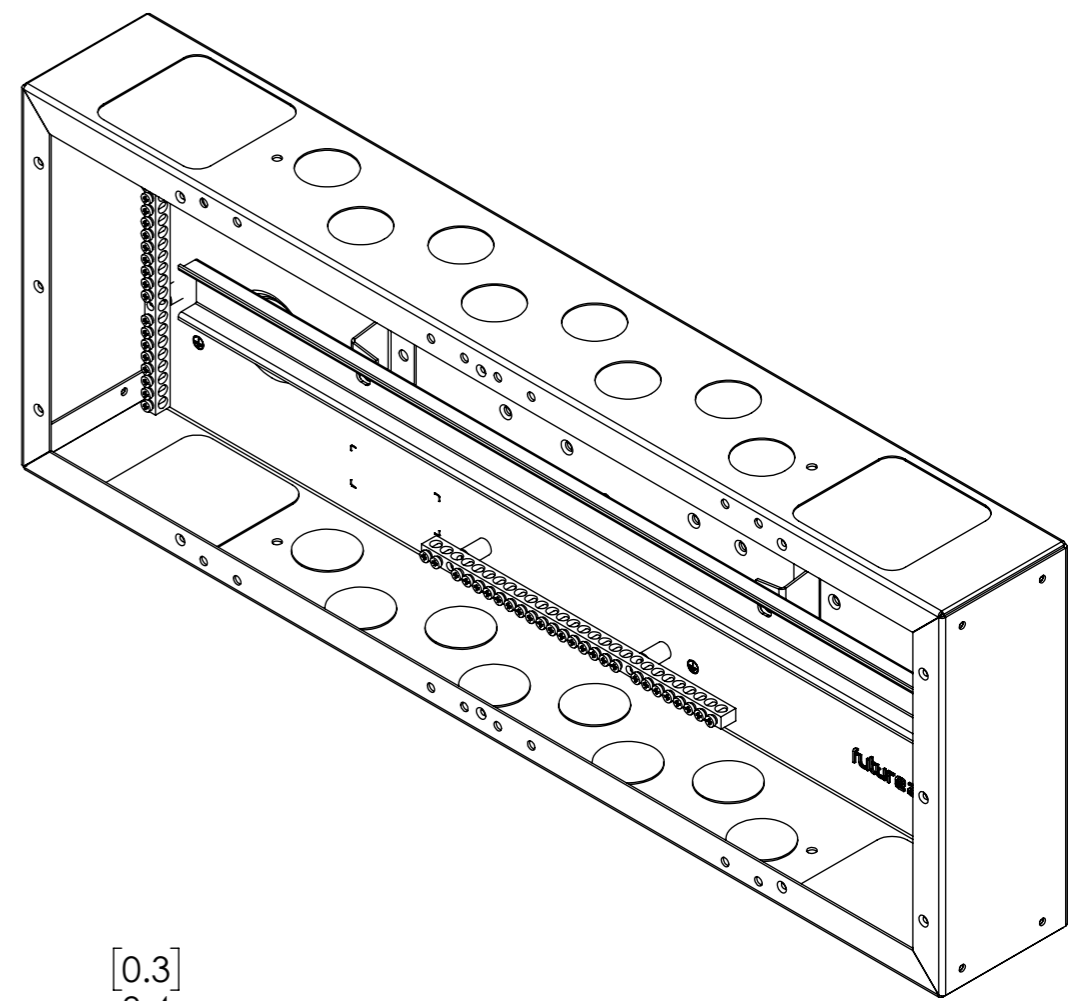
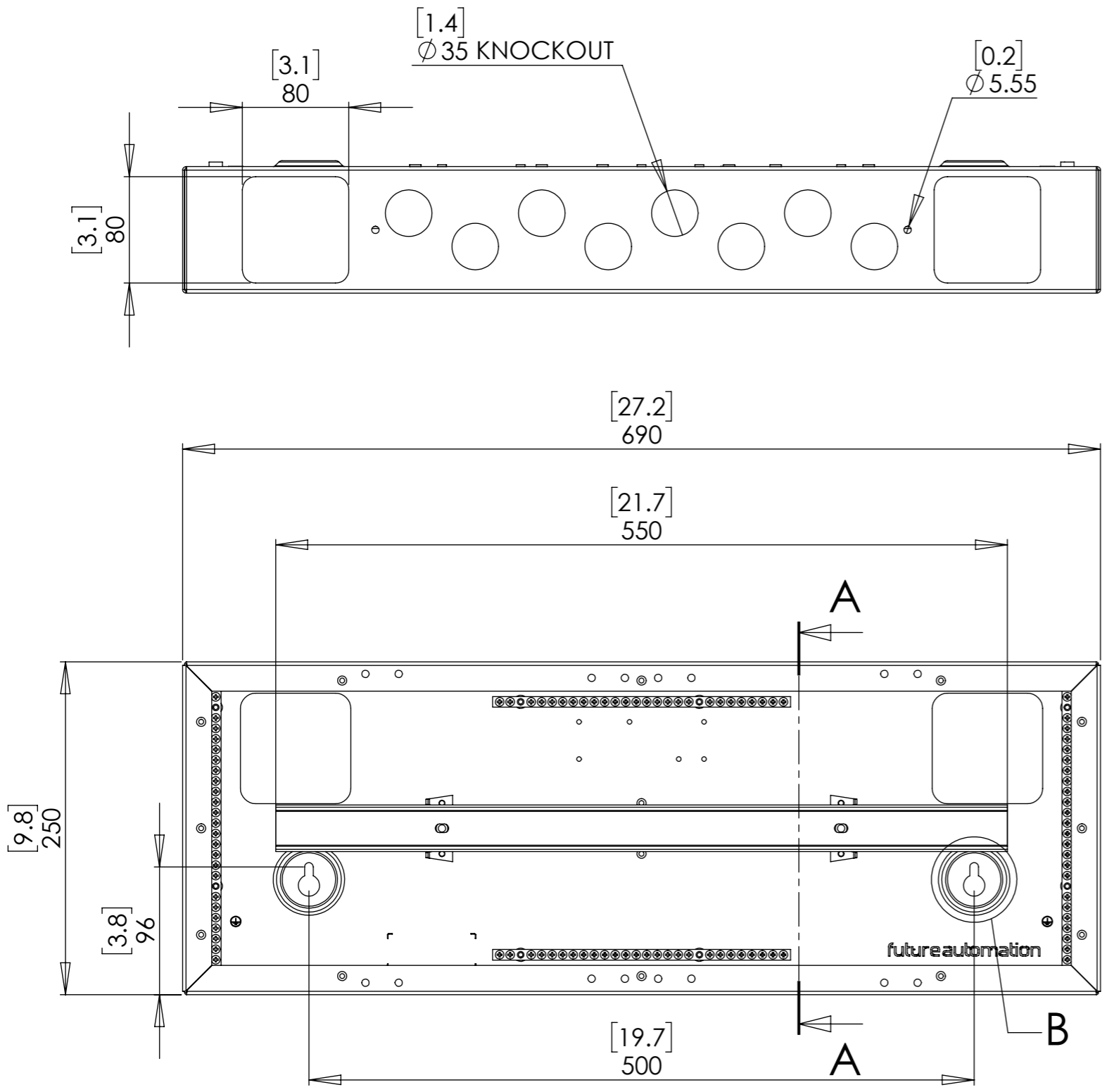
LCP 1RE

LUTRON CONTROL PANEL - 1 RAIL EXPANSION



future automation

ENCLOSURE DIMENSIONS



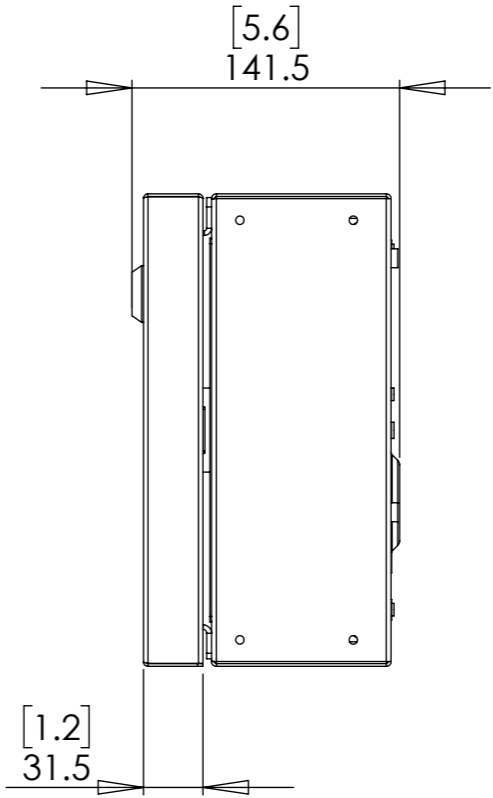
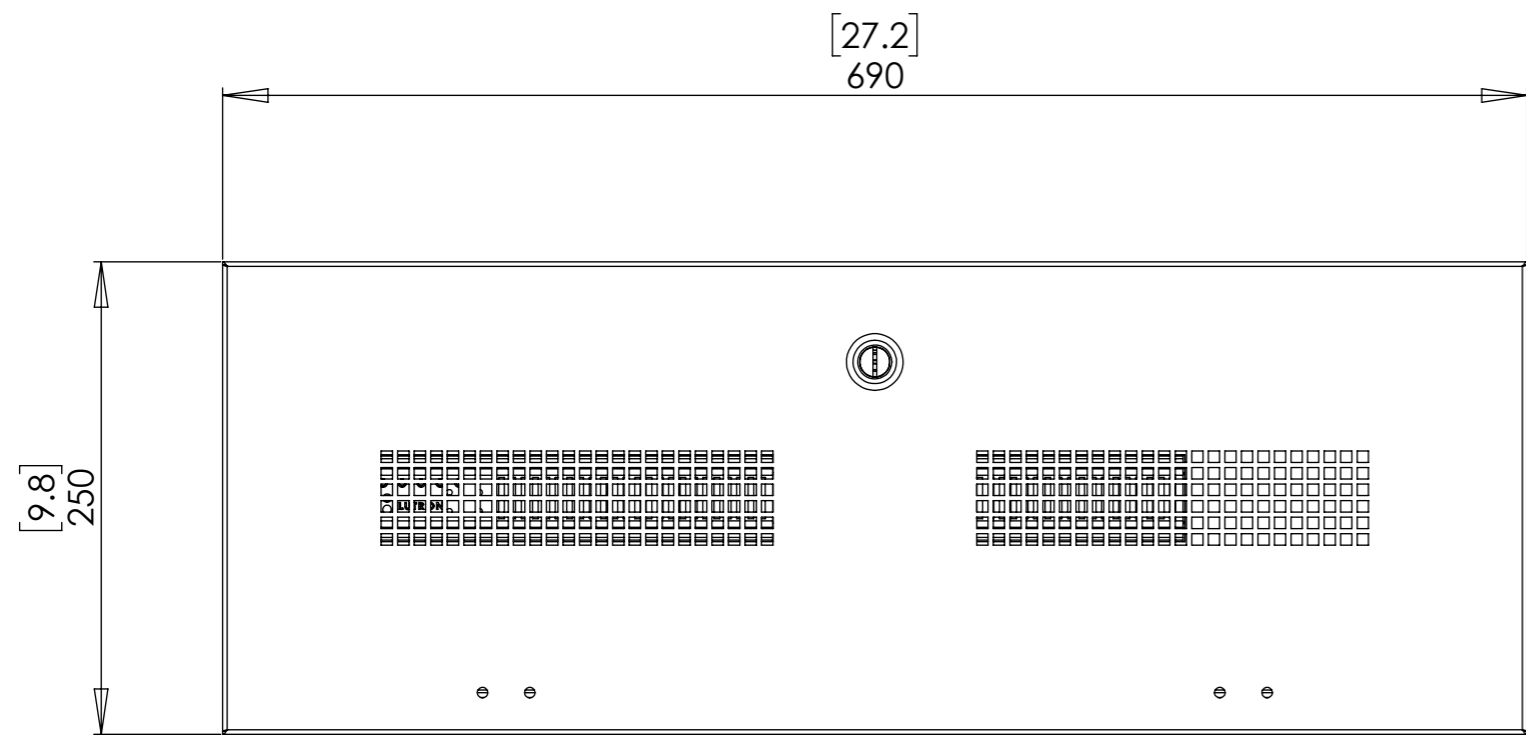
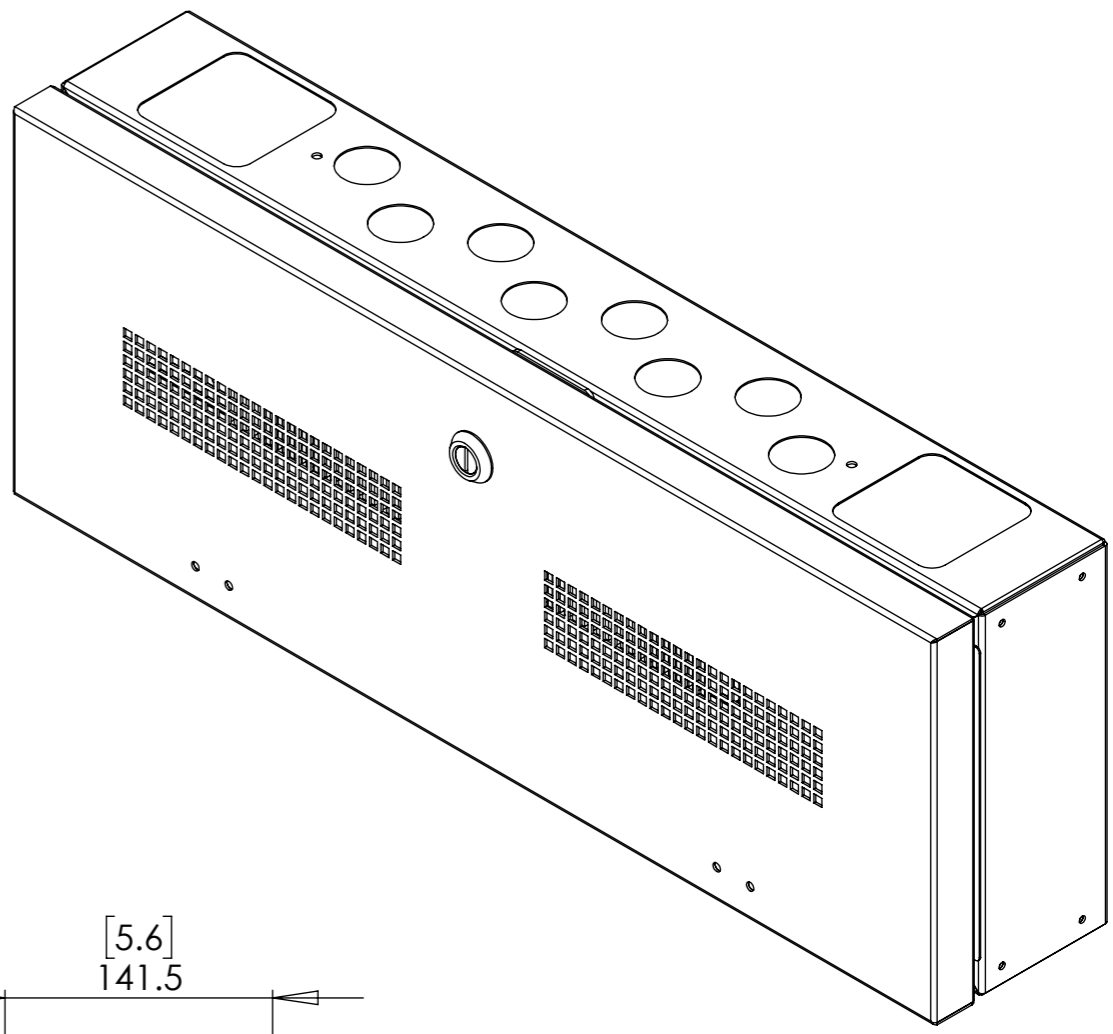
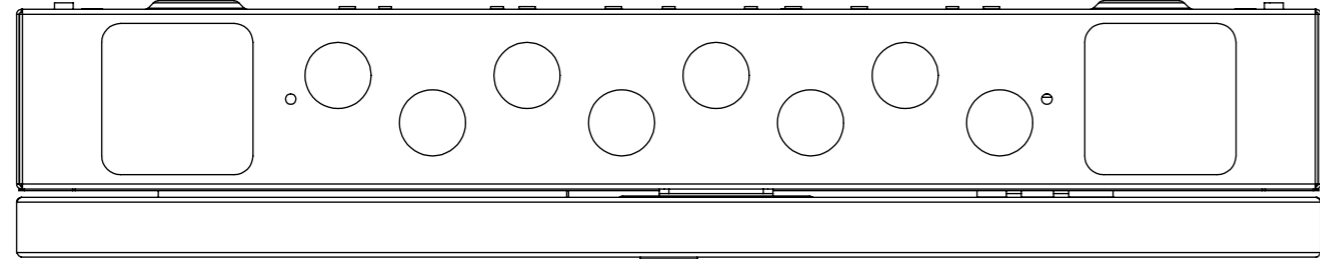
LCP 1RE

LUTRON CONTROL PANEL - 1 RAIL EXPANSION



future automation

OVERALL DIMENSIONS



LCP 1RE

LUTRON CONTROL PANEL - 1 RAIL EXPANSION



future automation

EXAMPLE INSTALLATION

Example below shows LCP-1RE fitted below LCP 8 for module expansion and/or panel termination.

