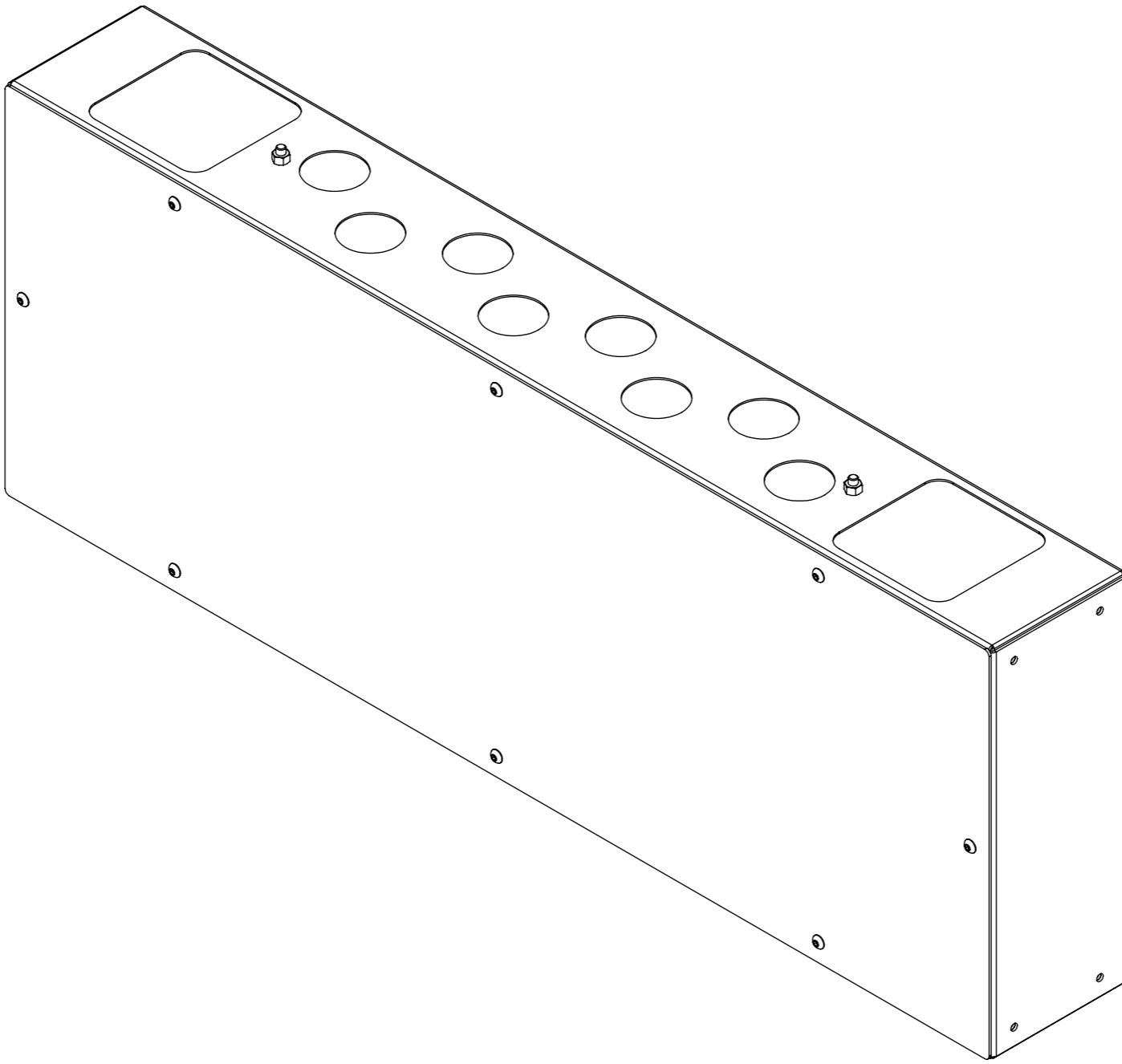


LCP LVE

LUTRON CONTROL - LOW VOLTAGE ENCLOSURE



future automation



LCP LVE

LUTRON CONTROL - LOW VOLTAGE ENCLOSURE



future automation

SPECIFICATION	MEASUREMENTS
Product Dimensions	250mm (9.8") x 690mm (27.2") x 100mm (3.9")
Number of DIN Rails	1
Finish (Custom Available)	Lid - Black Textured Paint, Box - Zintec Coated Steel
Depth From Wall	100mm (3.9")
Wall Mount Type	8mm (3.1") Keyhole Slots
Shipping Dimensions	380mm (15.0") x 850mm (33.5") x 210 (8.3")
Shipping Weight	8Kg (18lbs)

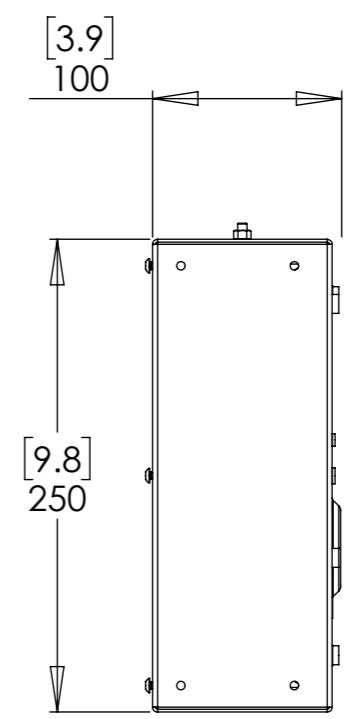
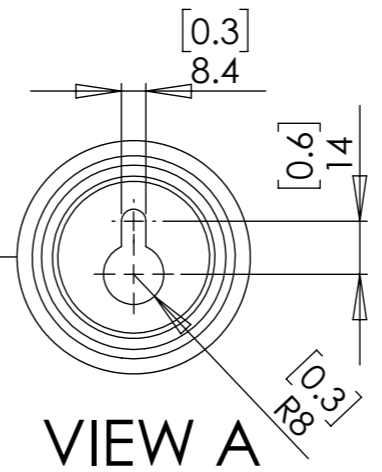
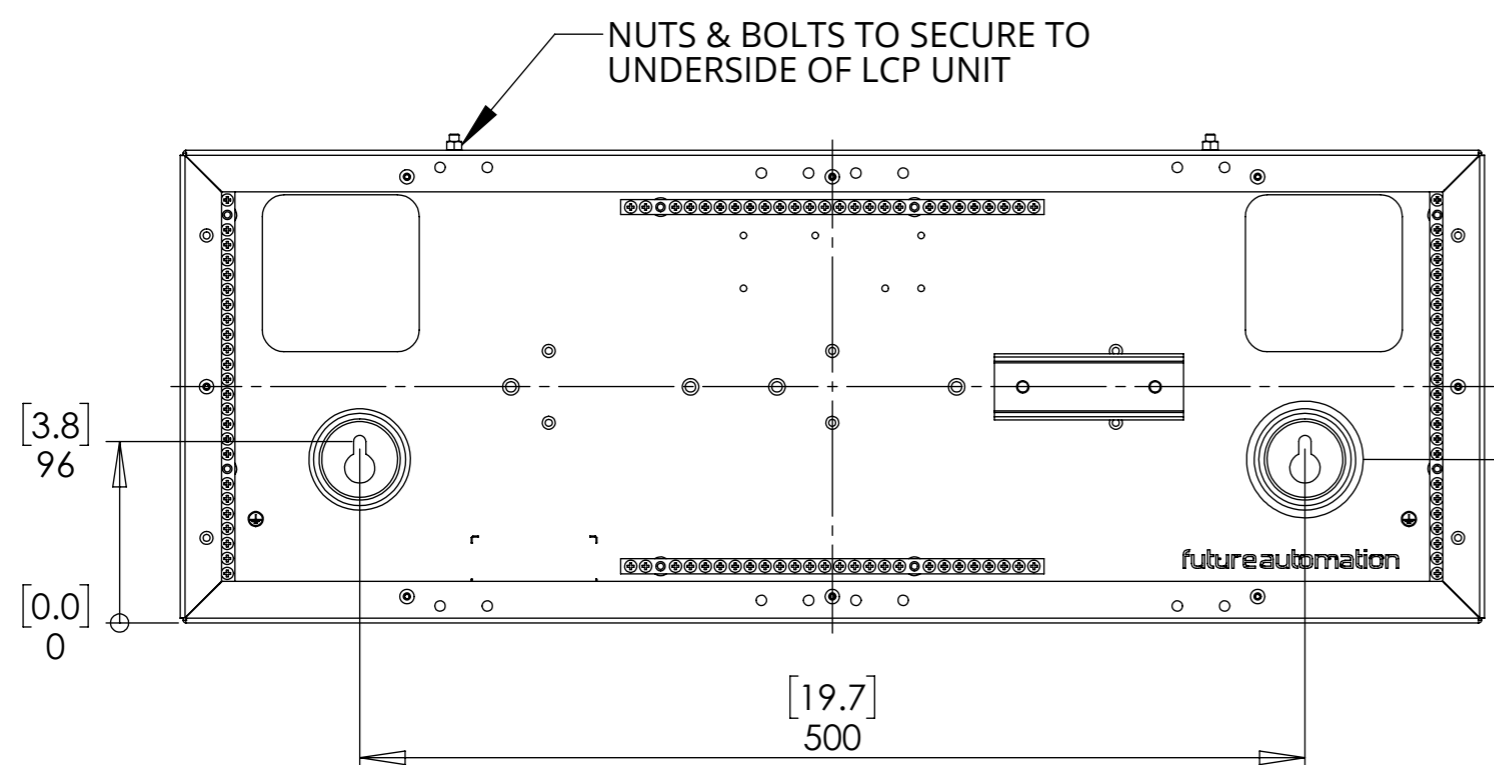
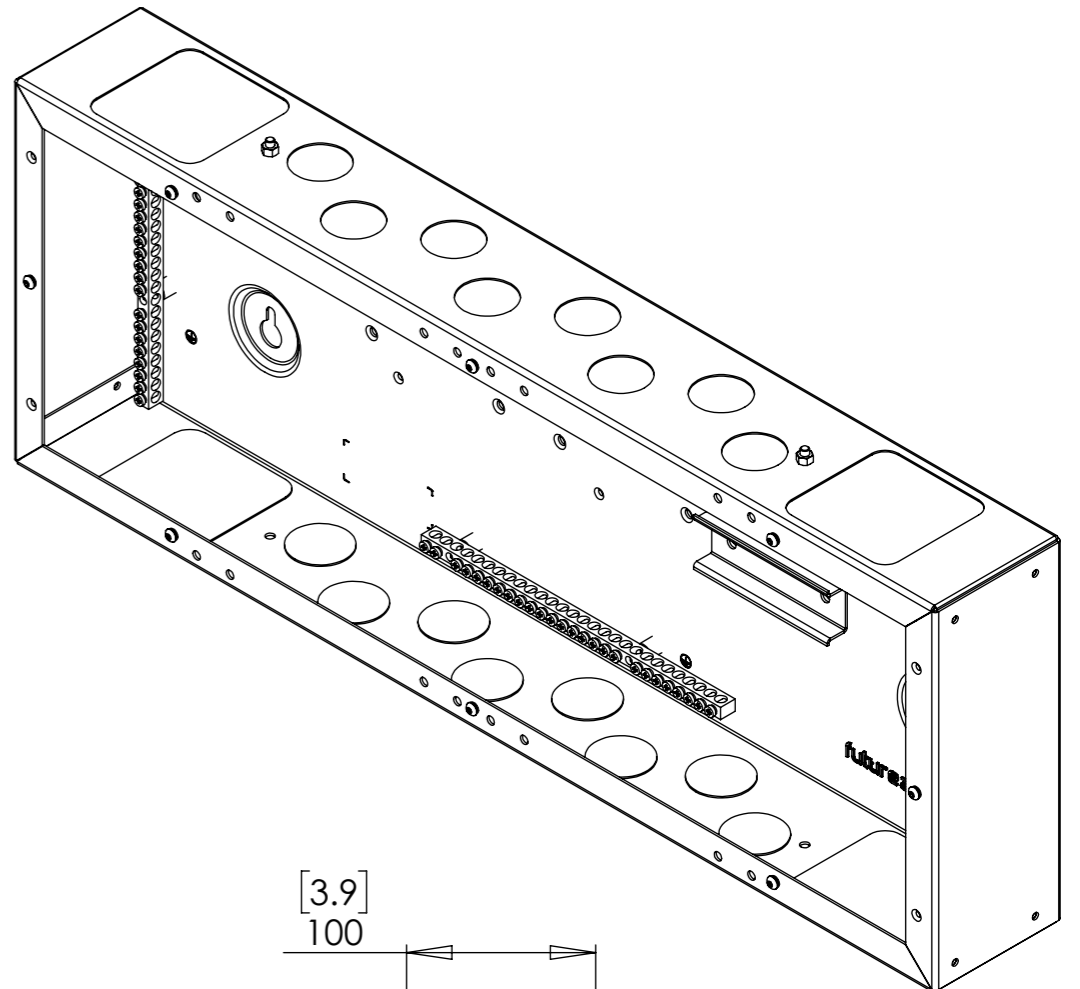
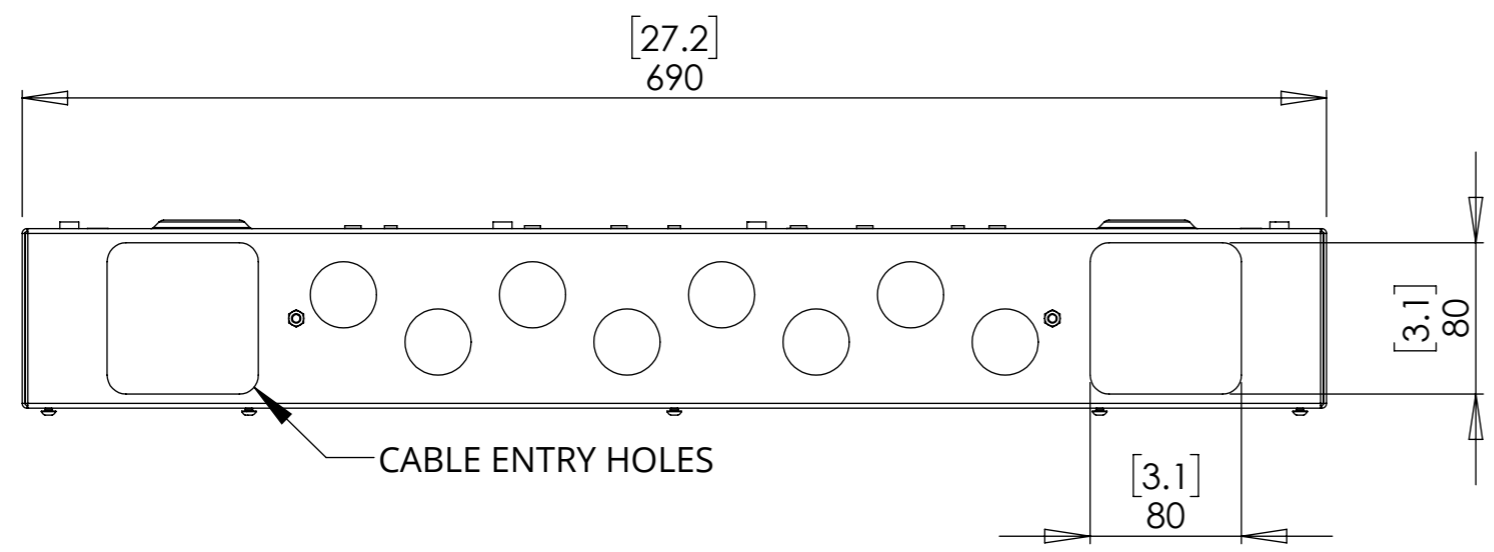
LCP LVE



future automation

LUTRON CONTROL - LOW VOLTAGE ENCLOSURE

ENCLOSURE DIMENSIONS



LCP LVE

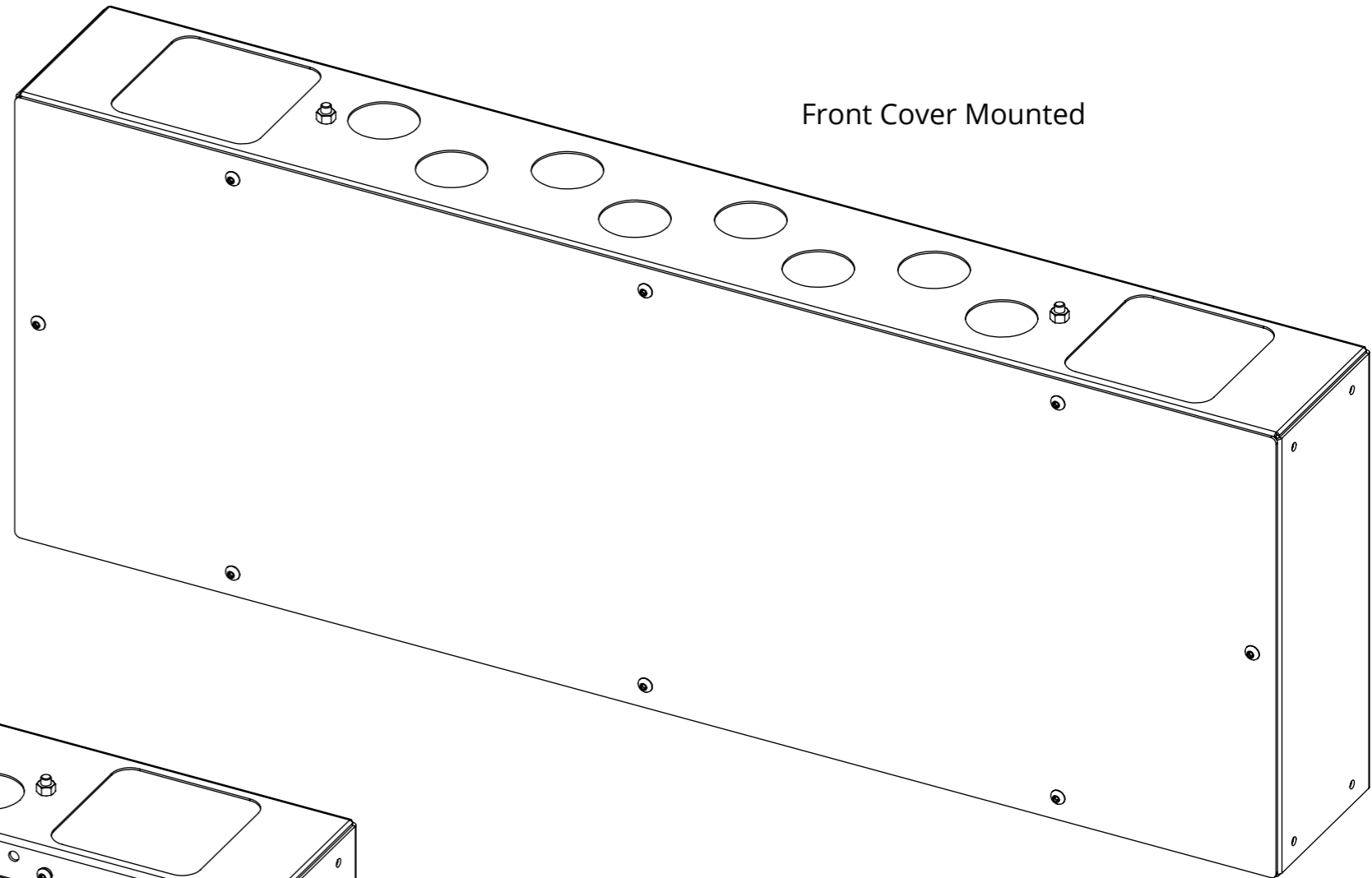
LUTRON CONTROL - LOW VOLTAGE ENCLOSURE



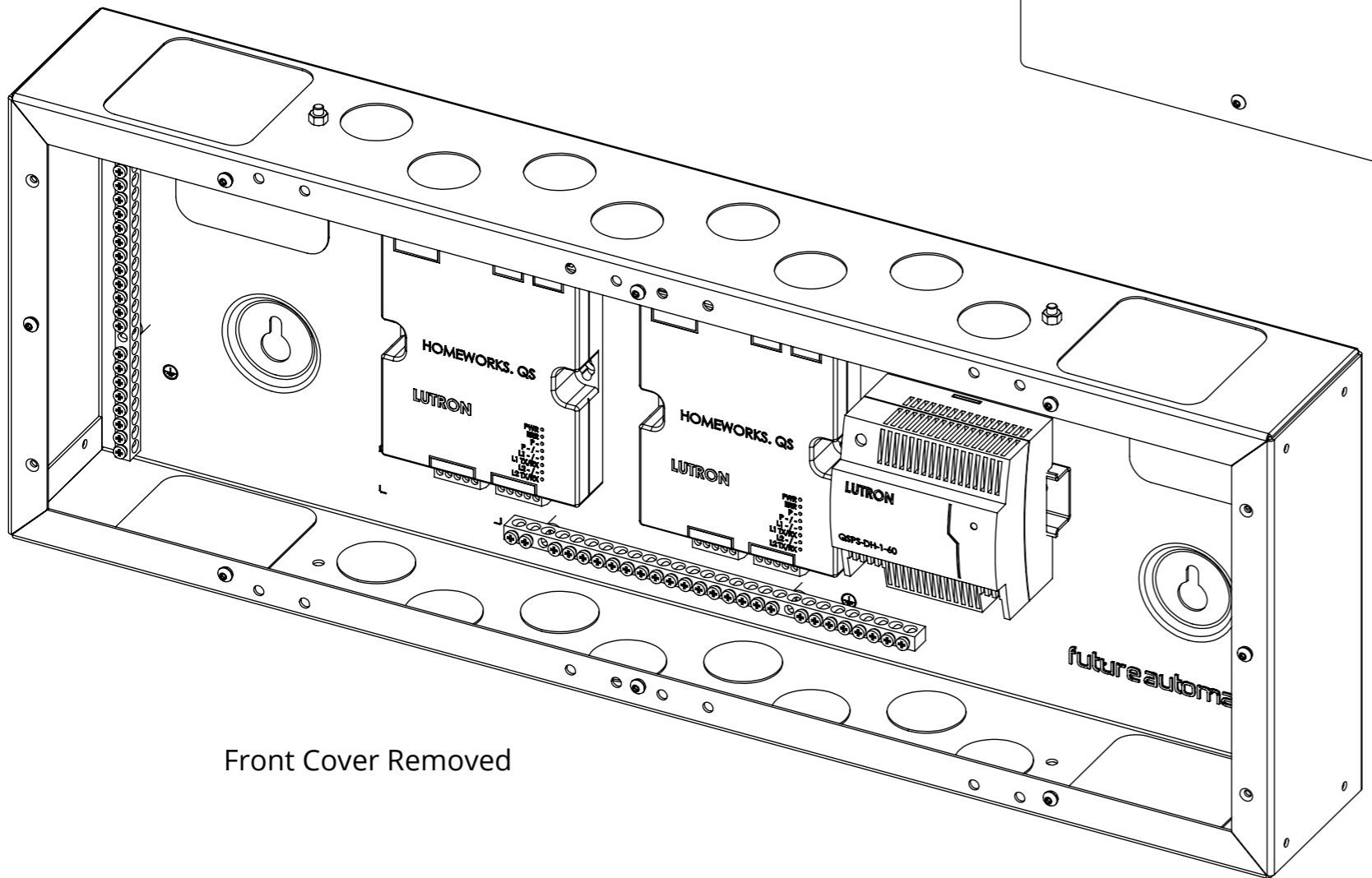
future automation

PANEL BOX LAYOUT

Showing two Lutron processors and single Lutron power supply fitted within enclosure with 30 WAY DIN RAIL removed.



Front Cover Mounted



Front Cover Removed

LCP LVE

LUTRON CONTROL - LOW VOLTAGE ENCLOSURE



future automation

EXPANSION ENCLOSURE FITTED

Example of LCP LVE fitted below standard LCP8 to increase capacity

