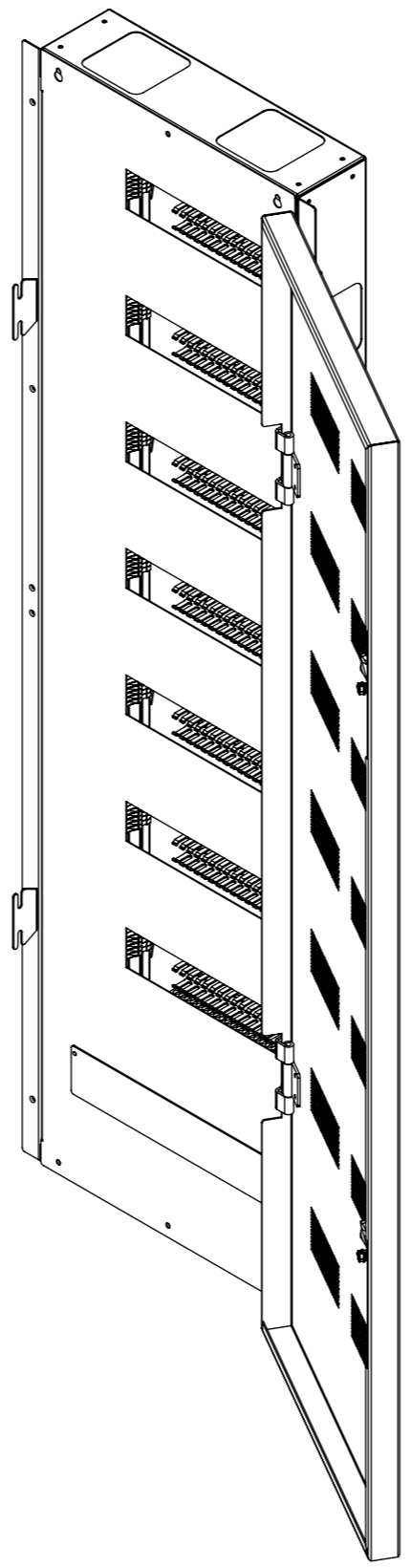


# LCP-PD7-FTS-UK

LUTRON CONTROL PANEL - 7 RAIL  
FEED THROUGH SIDE - UK SPEC



future automation



# LCP-PD7-FTS-UK

## LUTRON CONTROL PANEL - 7 RAIL FEED THROUGH SIDE - UK SPEC



future automation

SPECIFICATION	MEASUREMENTS
Product Dimensions	1323mm (52.1") x 401mm (15.8") x 138.5mm (5.5")
Number of DIN Rails	7
Finish (Custom Available)	Lid - Black Textured Paint, Box - Zintec Coated Steel
Depth From Wall	141.5mm (5.6")
Wall Mount Type	6.5mm (0.26") Keyhole Slots
Shipping Dimensions	1440mm (56.7") x 550mm (21.7") x 240 (9.5")
Shipping Weight	23.0Kg (51lbs)

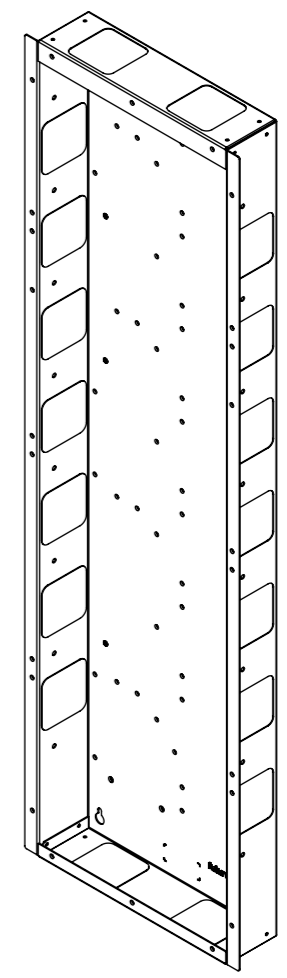
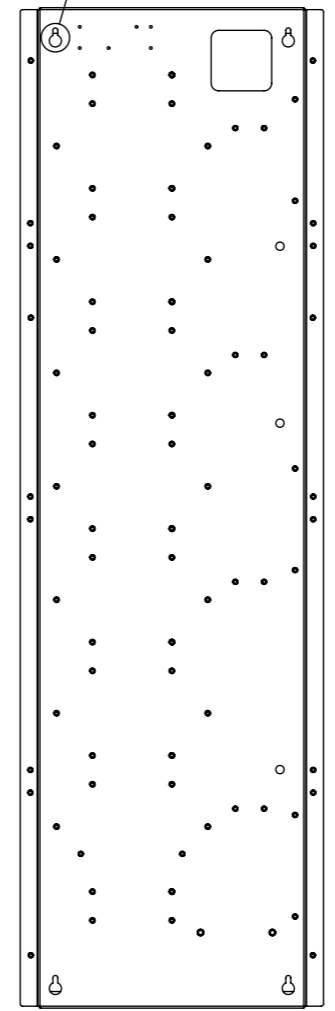
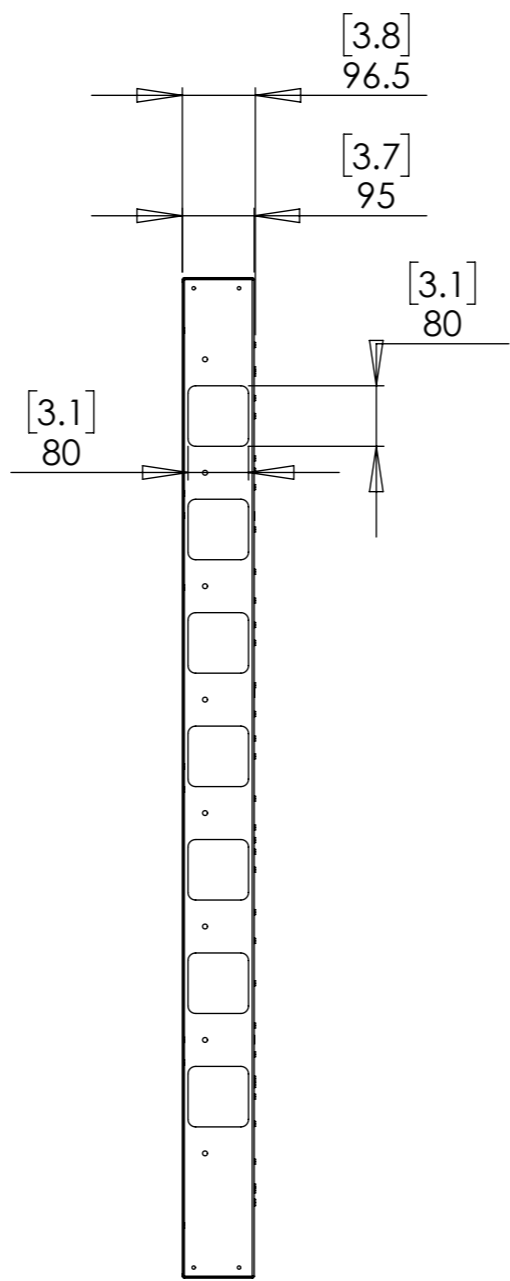
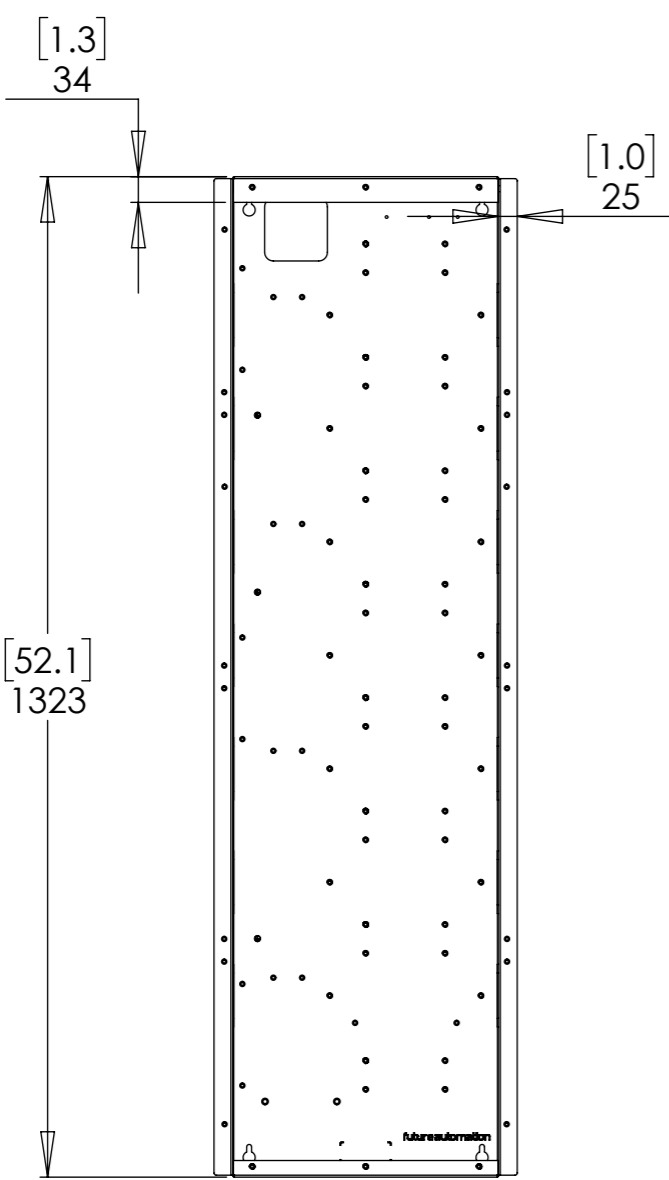
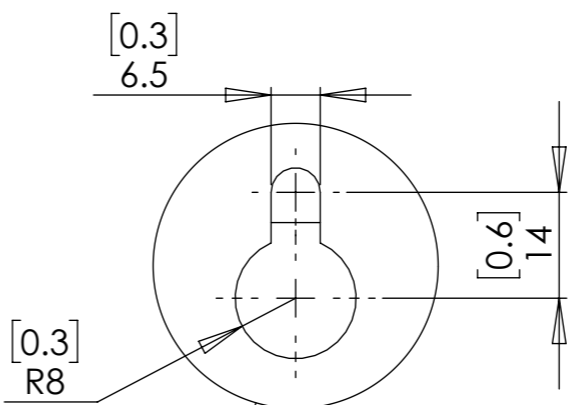
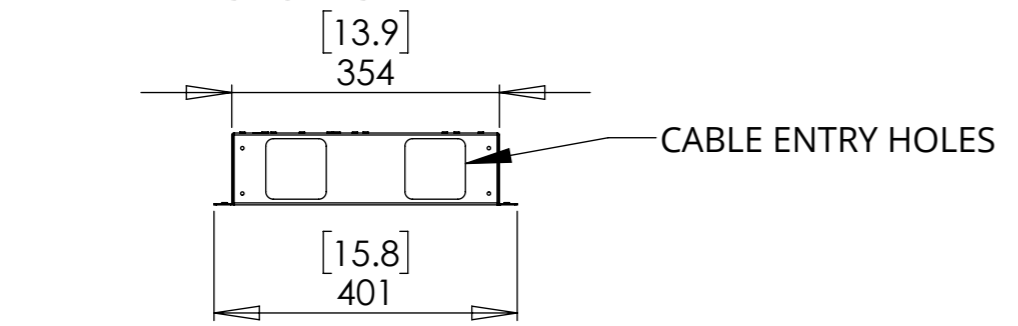
# LCP-PD7-FTS-UK



future automation

## LUTRON CONTROL PANEL - 7 RAIL FEED THROUGH SIDE - UK SPEC

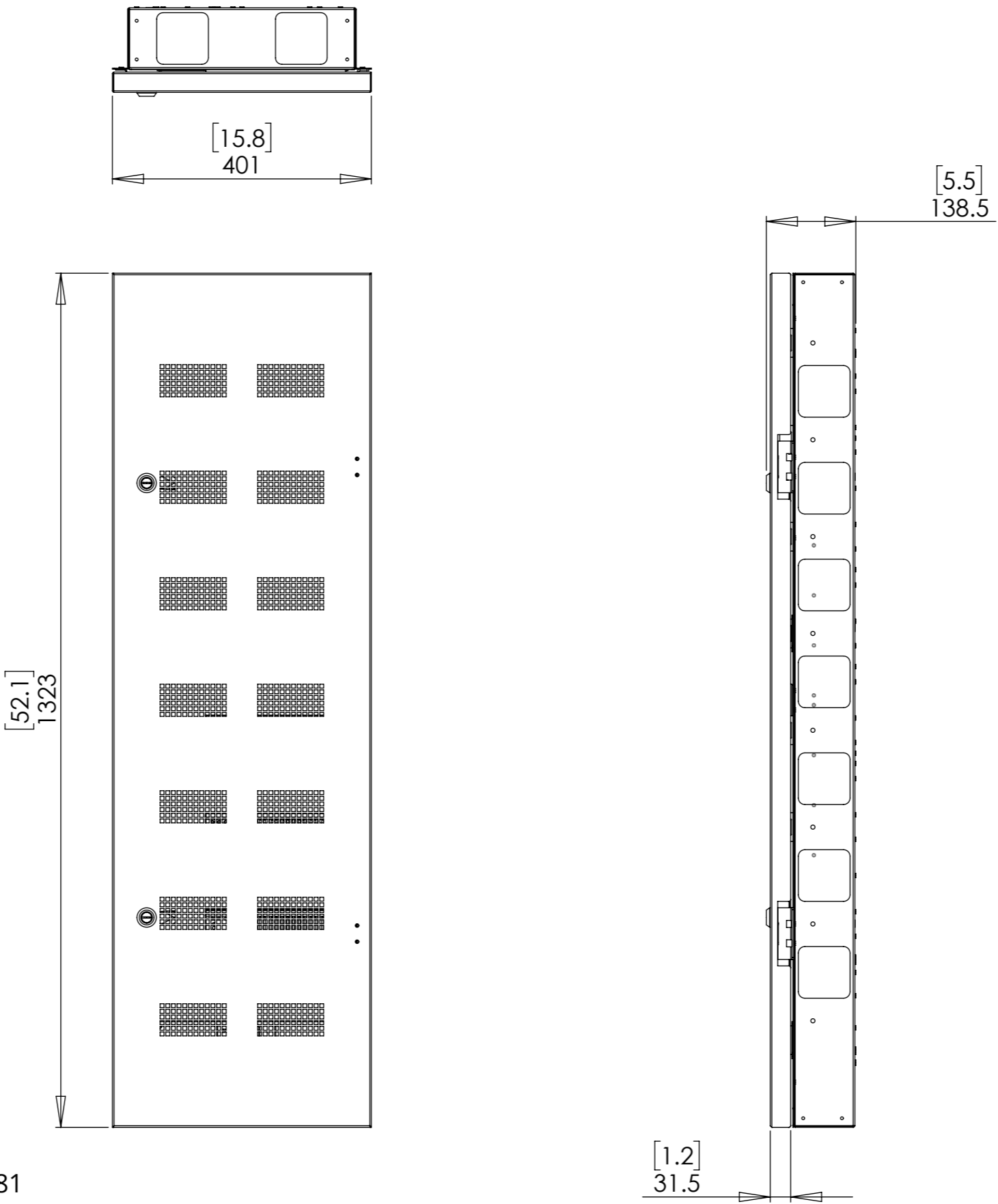
### ENCLOSURE DIMENSIONS



# LCP-PD7-FTS-UK

## LUTRON CONTROL PANEL - 7 RAIL FEED THROUGH SIDE - UK SPEC

### OVERALL DIMENSIONS

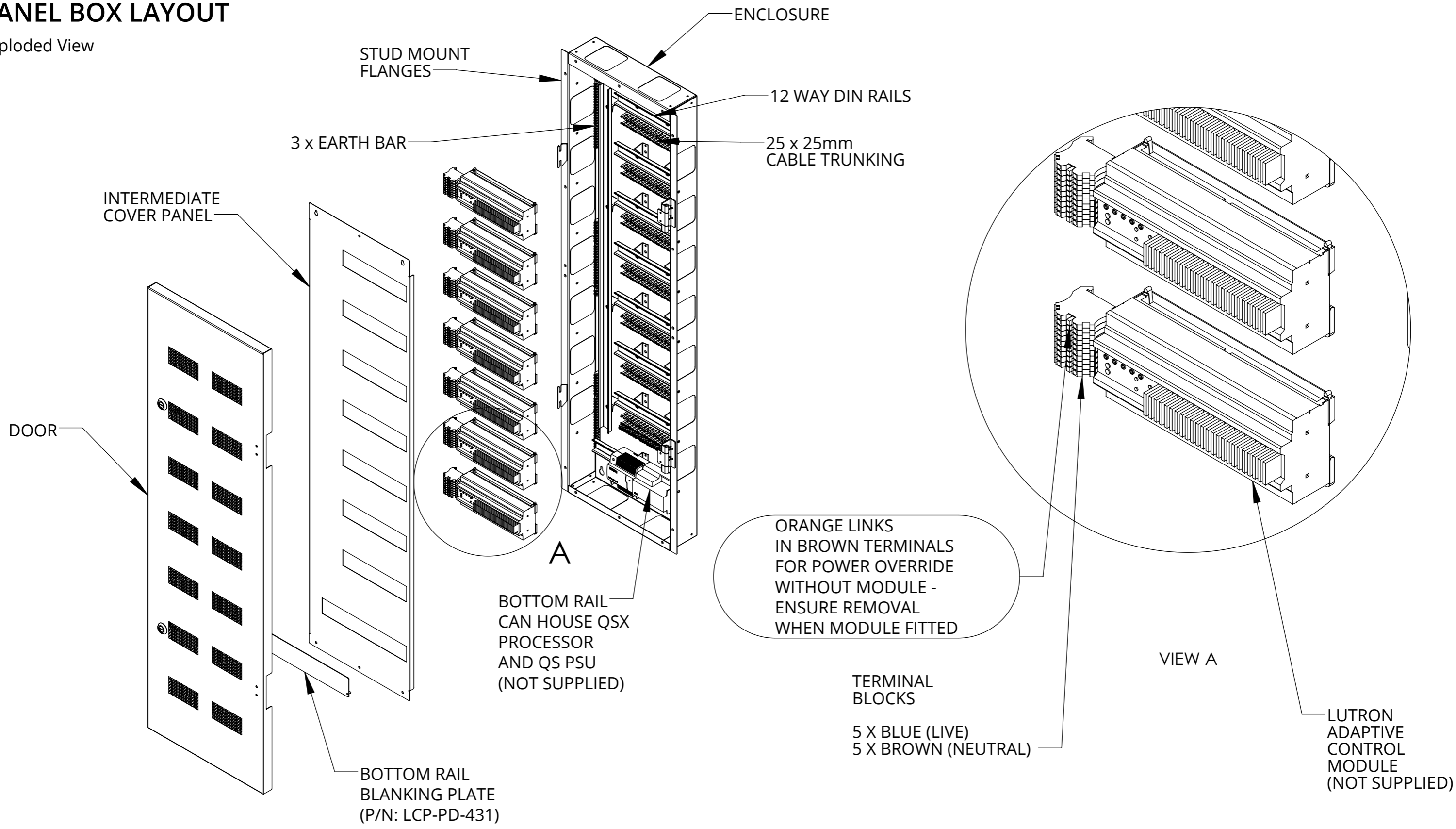


# LCP-PD7-FTS-UK

## LUTRON CONTROL PANEL - 7 RAIL FEED THROUGH SIDE - UK SPEC

### PANEL BOX LAYOUT

Exploded View

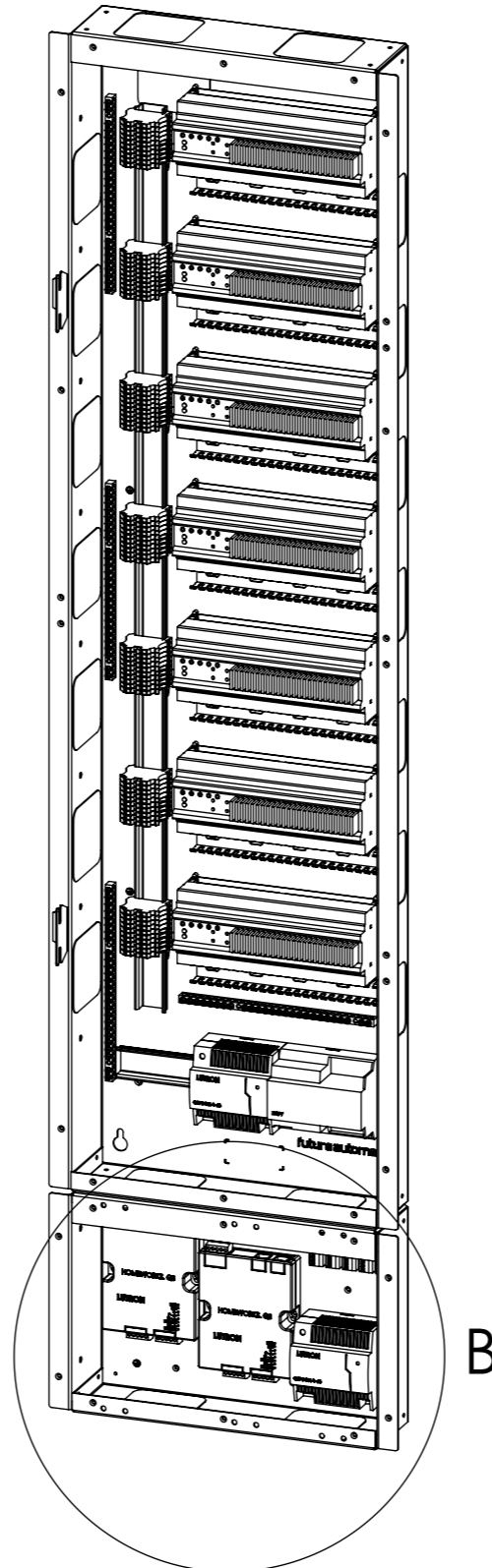
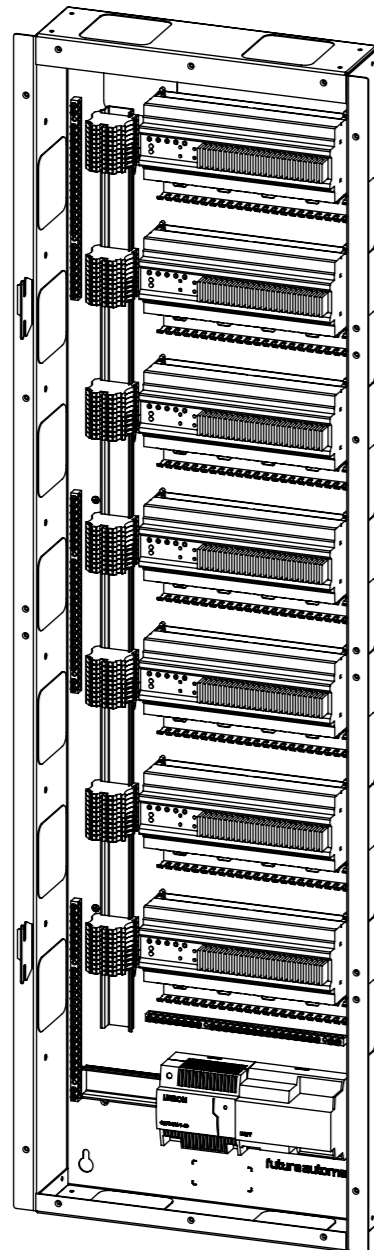


# LCP-PD7-FTS-UK

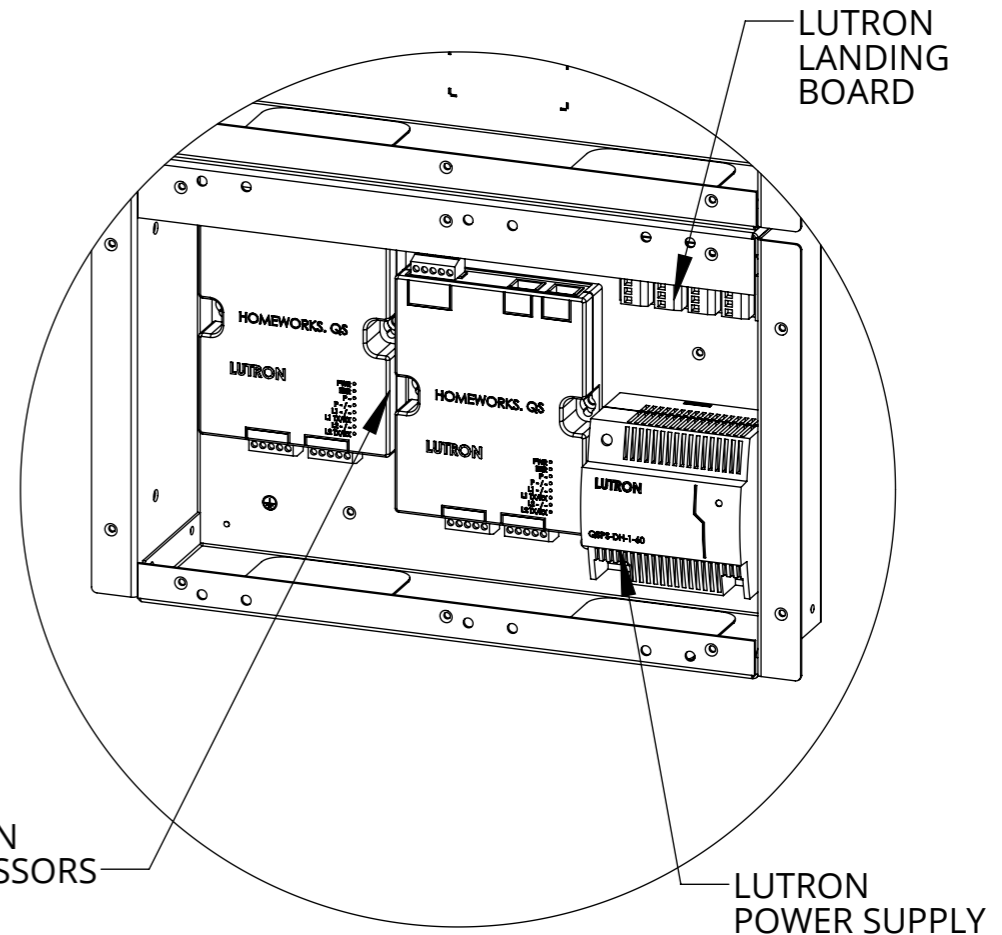
## LUTRON CONTROL PANEL - 7 RAIL FEED THROUGH SIDE - UK SPEC

### PANEL BOX LAYOUT

Front cover removed  
and example PS (Power Supply)  
add on unit shown



LCP PDPS - POWER SUPPLY ADD ON UNIT (NOT SUPPLIED)



VIEW B

B



# LCP-PD7-FTS-UK

## LUTRON CONTROL PANEL - 7 RAIL FEED THROUGH SIDE - UK SPEC

### REVERSIBLE DOOR OVERVIEW

Door shown opening towards the right hand side

In order to switch to left hand side opening, simply remove front cover panel and swap latch brackets and hinge outers over

