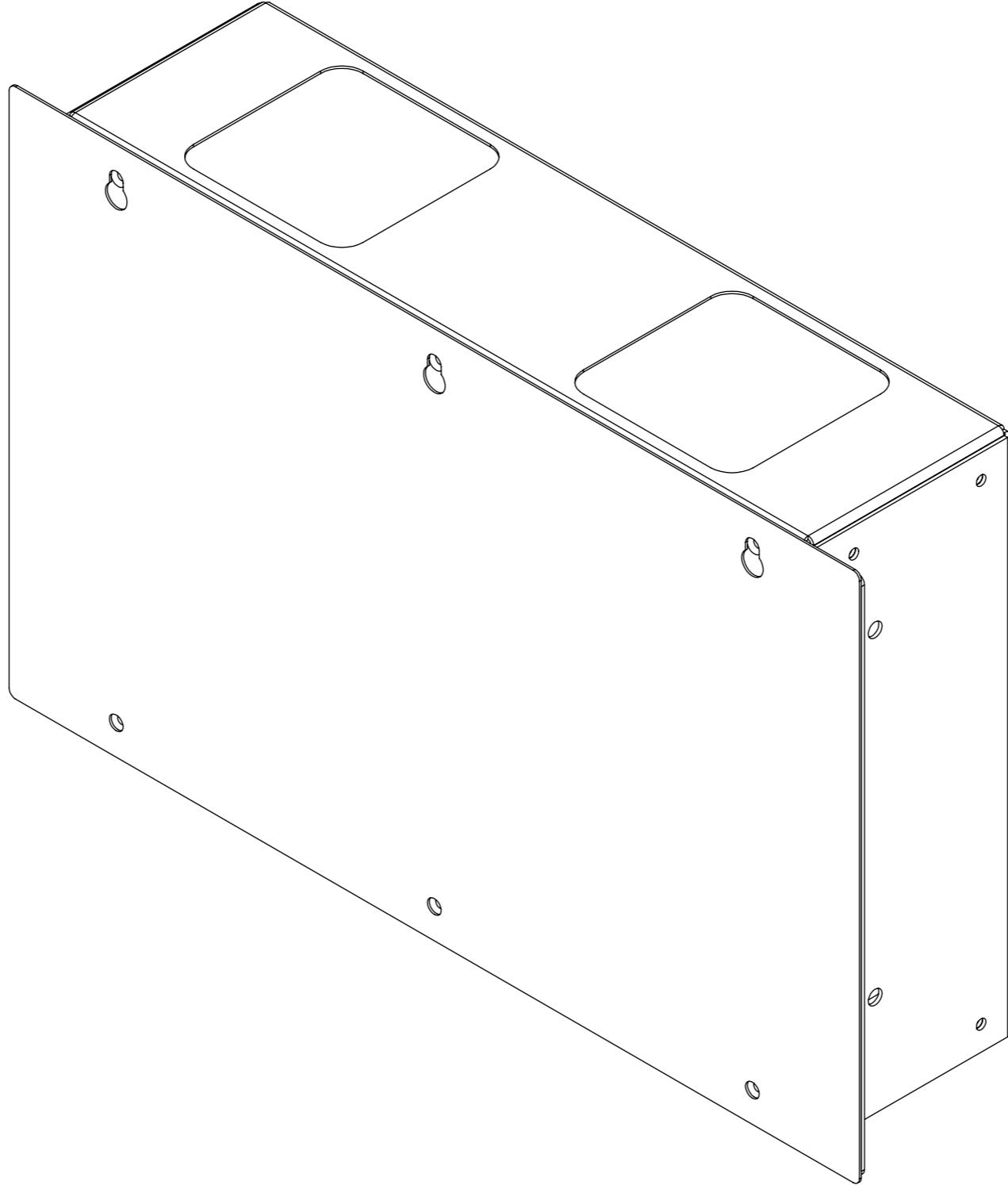


# LCP PDPS

## LUTRON CONTROL PANEL - POWER SUPPLY



future automation



# LCP PDPS

## LUTRON CONTROL PANEL - POWER SUPPLY



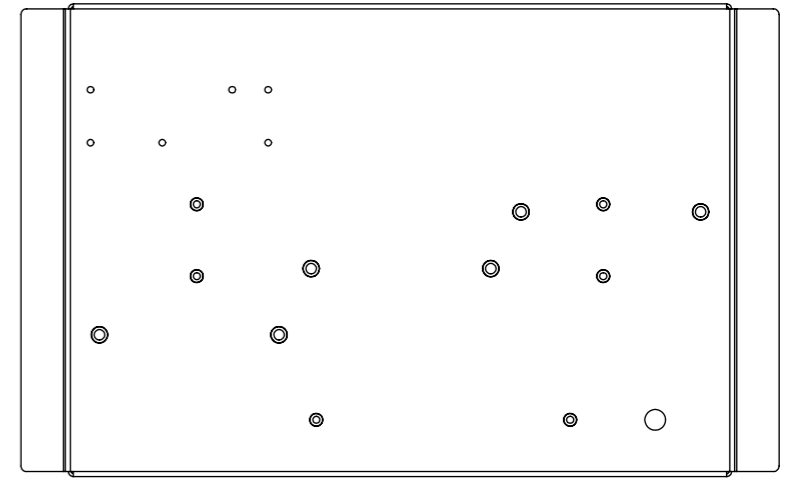
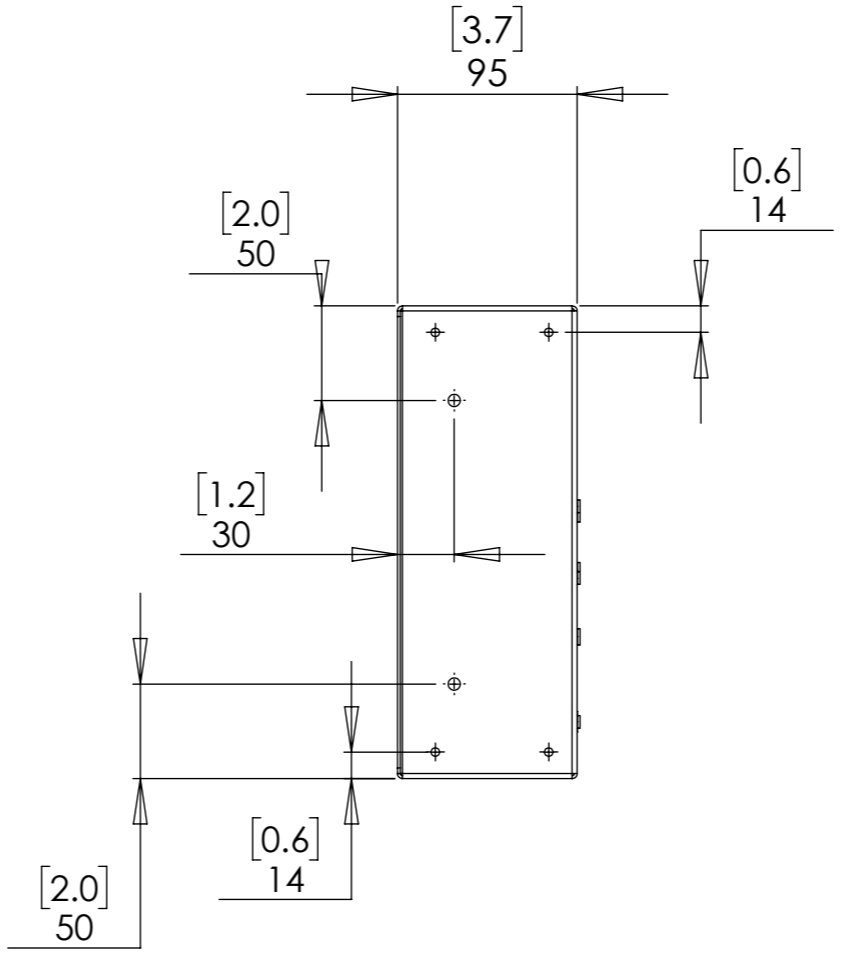
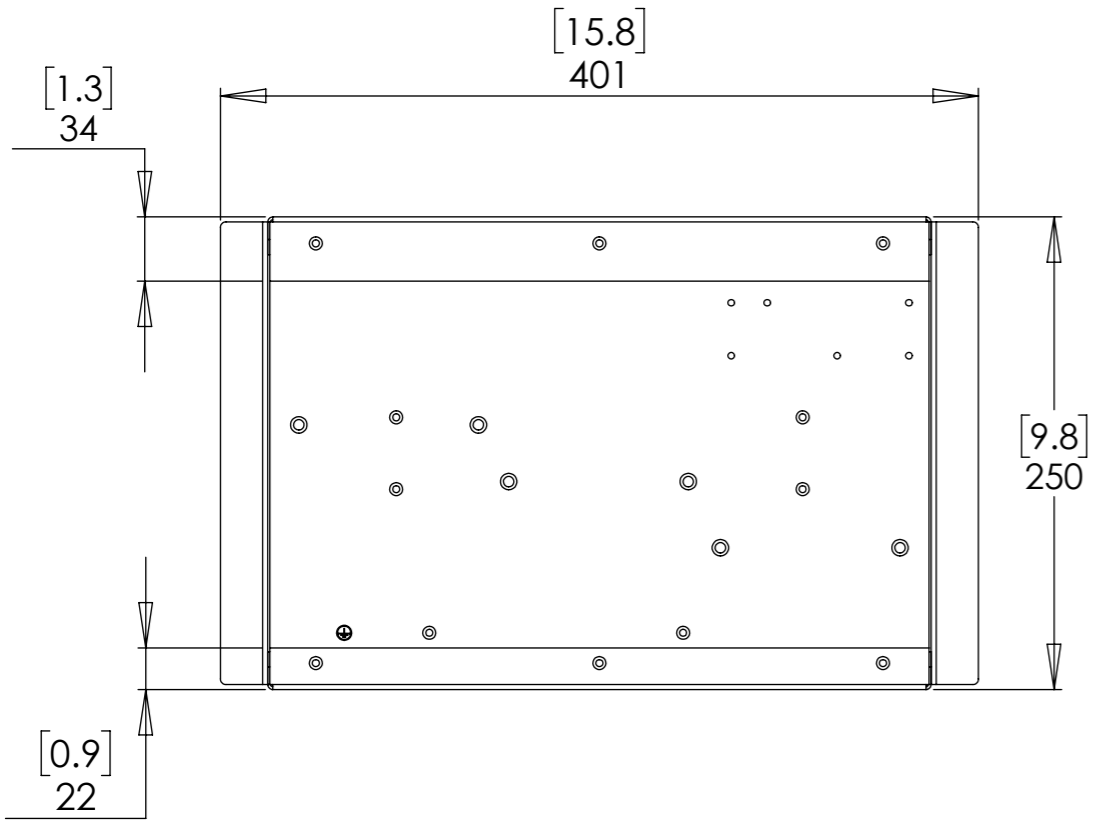
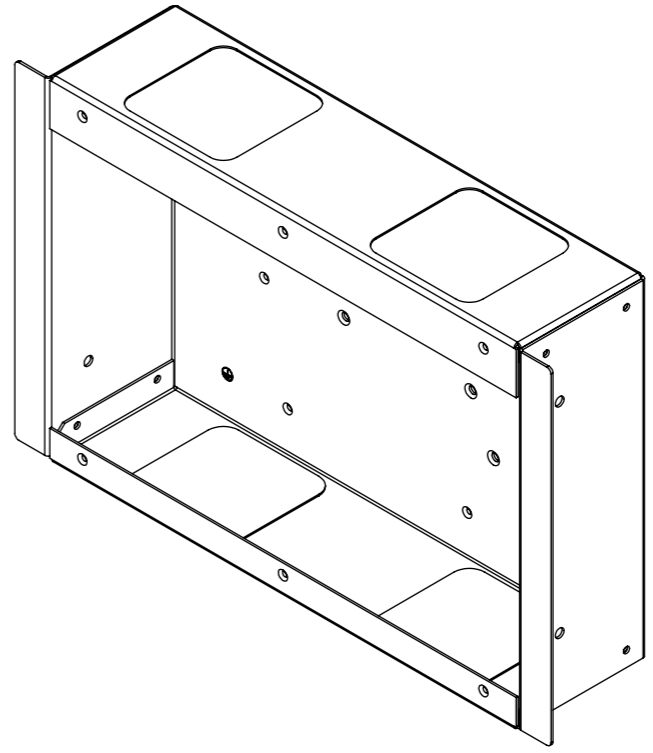
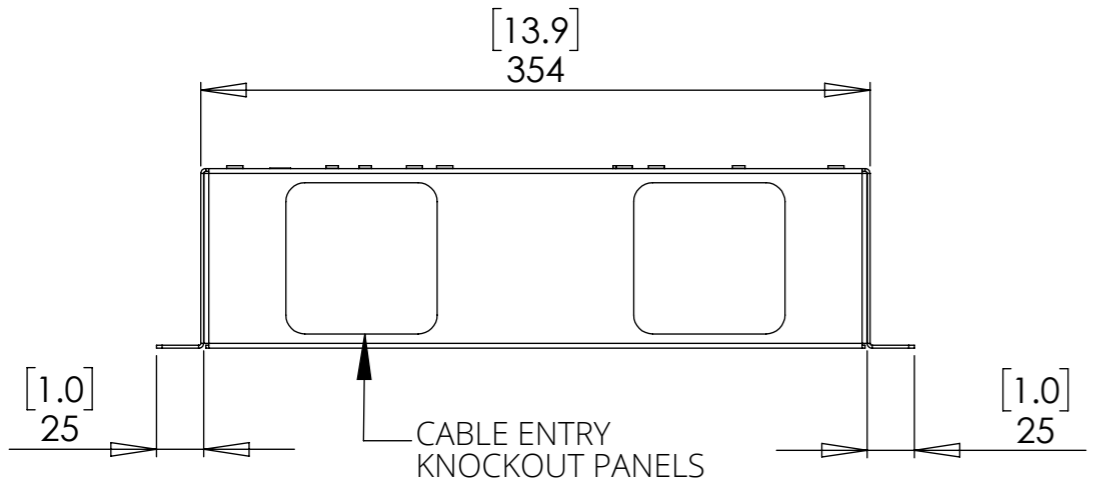
future automation

SPECIFICATION	MEASUREMENTS
Product Dimensions	250mm (9.8) x 401mm (15.8") x 100mm (3.9")
Number of DIN Rails	1
Finish (Custom Available)	Lid - Black Textured Paint, Box - Zintec Coated Steel
Depth From Wall	100mm (3.9")
Wall Mount Type	6.5mm (0.26") Holes
Shipping Dimensions	300mm (11.8") x 451mm (17.7") x 150 (5.9")
Shipping Weight	5Kg (11lbs)

# LCP PDPS

## LUTRON CONTROL PANEL - POWER SUPPLY

### ENCLOSURE DIMENSIONS



# LCP PDPS



## LUTRON CONTROL PANEL - POWER SUPPLY

### PANEL BOX LAYOUT

Exploded View

