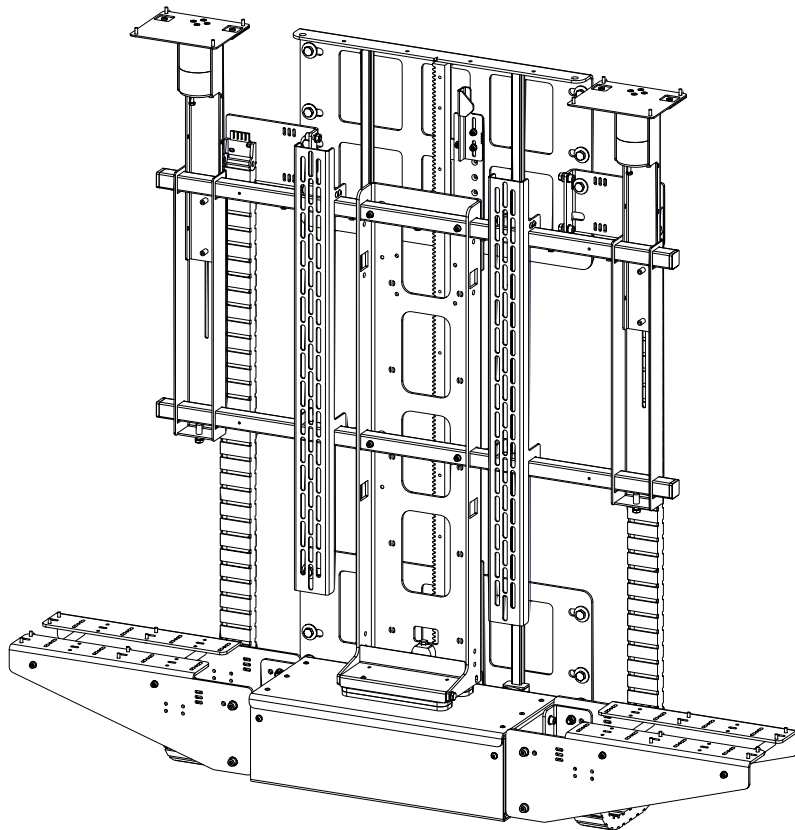




future automation

LSH

LIFT SYSTEM HEAVY



INSTALLATION INSTRUCTIONS

ISSUE 002

SAFETY DISCLAIMER

IMPORTANT SAFETY INSTRUCTIONS BELOW

WARNING: Failure to provide adequate structural strengthening, prior to installation can result in serious personal injury or damage to the equipment. It is the installer's responsibility to ensure the structure to which the component is affixed can support at least four times the combined weight of the component and any additional apparatus mounted to the component.

WARNING: Do not exceed the weight capacity for this product as listed below. This can result in serious personal injury or damage to the equipment. It is the installer's responsibility to ensure that the total combined weight of all attached components does not exceed that of the maximum figure stated.

WARNING: Risk of death or serious injury may occur when children climb on audio and/or video equipment or furniture. A remote control or toys placed on the furnishing may encourage a child to climb on the furnishing and as a result the furnishing may tip over on to the child.

WARNING: Risk of death or serious injury may occur. Relocating audio and/or video equipment to furniture not specifically designed to support audio and/or video equipment may result in death or serious injury due to the furnishing collapsing or overturning onto a child or adult.



Only for use with equipment weighing **100KG (220LBS) OR LESS.**

Use with heavier equipment may lead to instability causing tip over or failure resulting in death or serious injury.

Bracket Suitable for Residential and Commercial Use.

ADDITIONAL WARNINGS:

1. Keep all documentation/instructions after fitting.
2. Read all technical instructions fully before installation and use. It is the installer's responsibility to ensure that all documentation is passed on to the end user and read fully before operation.
3. Do not use near water or outdoors unless the product has been specifically designed to do so.
4. Protect any cables or cords being used near this bracket from being walked on or pinched to prevent damage and risk of injury.
5. Use this product only for its intended purpose as described in the product instructions and only use attachments/accessories specified by the manufacturer.
6. Do not operate the product if it is damaged in any way, liquid has been spilled or objects have fallen into the apparatus, the apparatus has been exposed to rain or moisture, does not operate normally, or has been dropped. Contact the original installer/manufacturer to arrange repair or return.

WARNING - To reduce the risk of burns, fire, electric shock, or injury to persons:

1. Clean only with a dry cloth and always unplug any electrical items being used in conjunction with this product before cleaning.

Future Sound & Vision trading as Future Automation intend to make this and all documentation as accurate as possible. However, Future Automation makes no claim that the information contained herein covers all details, conditions or variations, nor does it provide for every possible contingency in connection with the installation or use of this product. The information contained in this document is subject to change without prior notice or obligation of any kind. Future Automation makes no representation of warranty, expressed or implied, regarding the information contained herein. Future Automation assumes no responsibility for accuracy, completeness or sufficiency of the information contained in this document.

PRODUCT WARRANTY & RISK ASSESSMENT

WARRANTY INFORMATION

WARNING - The warranty offered for this product shall be annulled if the product is used improperly or in a way that is in breach of our Terms of Service.

Future Automation provides warranty for the mechanism you purchased for the period of **24 months** from the date of purchase, provided that it isn't used for unintended purposes.

Under the warranty, Future Automation aims to either solve the issue remotely (via telephone or email support) or if the mechanism requires a part, arrange a visit to your premises by a Future Automation approved engineer or send replacement items where appropriate.

Warranty repairs will be carried out as quickly as possible, but subject to parts availability. This warranty period is respectively extended for the period of a repair.

A malfunctioning product must be cleaned and placed into suitable packaging to protect against transit damage before organising delivery to a repair workshop.

All the complaints about defects must be submitted to the vendor/installer that sold this product, rather than directly to the manufacturer.

Any part of your system that needs to be replaced during a warranty repair becomes the property of Future Automation.

The warranty does not cover the following:

- Damages resulting from improper product use or maintenance.
- Repairs carried out by unauthorized persons.
- Natural wear and tear during operation.
- Damages caused by the buyer.
- Accidental damages caused by a customer or damages caused as a result of careless attitude or usage, or damages caused by natural disasters (natural phenomena).
- Any electrical, or other environmental work external to your Future Automation mechanism including power cuts, surges etc.
- Additional items not supplied by Future Automation although they may have been supplied together by the retailer
- Any 3rd party software products controlling your mechanism
- Any transfer of ownership. Warranty is provided only to the initial purchaser.
- Compensation for loss of use of the product, and consequential loss of any kind.

A separate Safety and Servicing Information document is provided with these instructions (additional copies can be found at www.futureautomation.co.uk/safety), and this document **MUST** be filled out by the approved Future Automation Dealer who is installing the product. This Warranty Sheet must be held by the end user for the duration of the products life and will be referred to during servicing or warranty queries.

The Safety and Servicing Information document also contains two Service History Forms that must be filled in by the approved Future Automation dealer who is performing the first required yearly service of this product.

One copy of the Service History Form must be held by the customer (along with the Warranty Sheet) and a duplicate copy must be held by the approved Future Automation dealer that performed the service. Missing and/or mismatching documents may delay or invalidate warranty claims.

Additional Service History Forms can be found on the Future Automation website for further yearly services.

RISK ASSESSMENT INFORMATION

It is the installer's responsibility to perform a risk assessment of installed products. Future Automation can provide guidelines to installers/dealer about what should be included in a risk assessment, but due to the individual nuances of each location/site, Future Automation cannot provide a full list of areas to risk assess.

For full risk assessment and safety information please view our Safety and Servicing guide available at www.futureautomation.net/safety

GUIDE CONTENTS

SAFETY DISCLAIMER	1
PRODUCT WARRANTY & RISK ASSESSMENT	2
GUIDE CONTENTS	3
PACKAGE CONTENTS	4
INITIAL TESTING	5
LSH FITTING	6
FP - BASE PANEL FITTING	7
FP - TOP PANEL FITTING	12
BE - BASE PANEL FITTING	13
BE - TOP PANEL FITTING	19
FP - BASE PANEL ADJUSTMENTS	20
BE - BASE PANEL ADJUSTMENTS	24
BE - TOP PANEL ADJUSTMENTS	25
FITTING THE SCREEN	27
LEVELING THE SCREEN	28
CABLE MANAGEMENT	29
GENERAL CONTROL	31
INFRARED (IR)	32
RADIO FREQUENCY (RF)	33
CONTACT CLOSURE	34
RS232 CONTROL	35
INTEGRATION CONSIDERATIONS	36

PACKAGE CONTENTS

1 - LSH MECHANISM

- 1.1 - SCREEN MOUNT UPRIGHTS (X2)
- 1.2 - LIFTING BEAM
- 1.3 - BASE PANEL SUPPORT (X2)
- 1.4 - TOP PANEL MOUNT

2 - CONTROL BOX

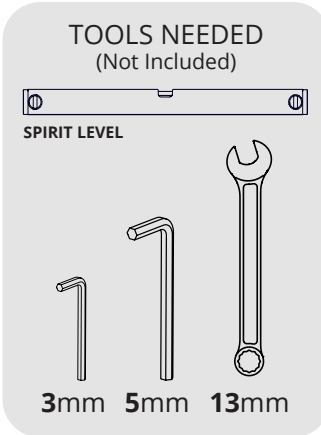
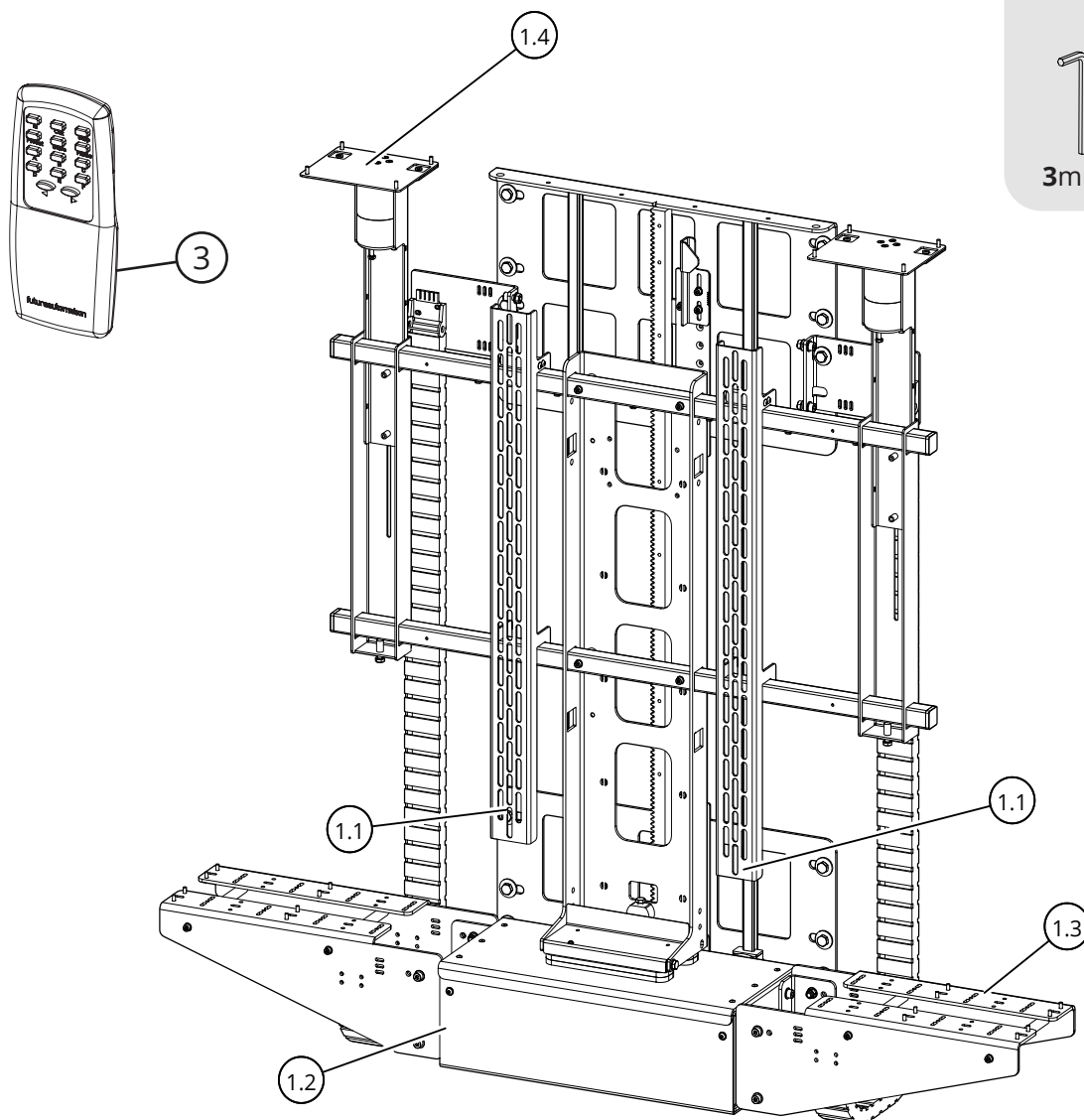
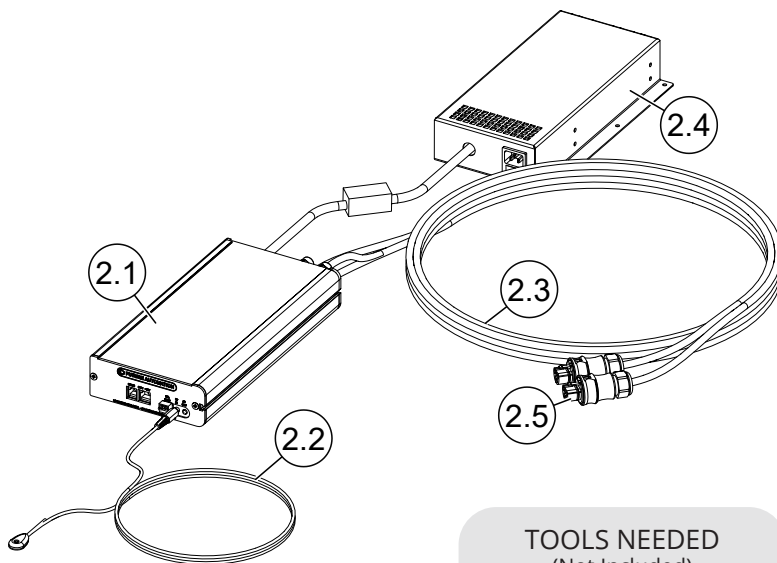
- 2.1 - CONTROL BOX
- 2.2 - IR LEAD
- 2.3 - 3M LONG CABLE LOOM
- 2.4 - POWER SUPPLY UNIT
- 2.5 - CABLE CONNECTORS

3 - INFRARED (IR) REMOTE CONTROL

ITEMS NOT SHOWN ON PAGE

LSH ACCESSORY PACK:

- X2 AAA BATTERIES
- MAINS POWER LEAD
- INFRA-RED CONTROL LEAD
- CAT5 LEAD WITH RJ45 CONNECTOR
- MULTI-PACK OF NUTS, BOLTS AND WASHERS
- EMERGENCY STOP



INITIAL TESTING

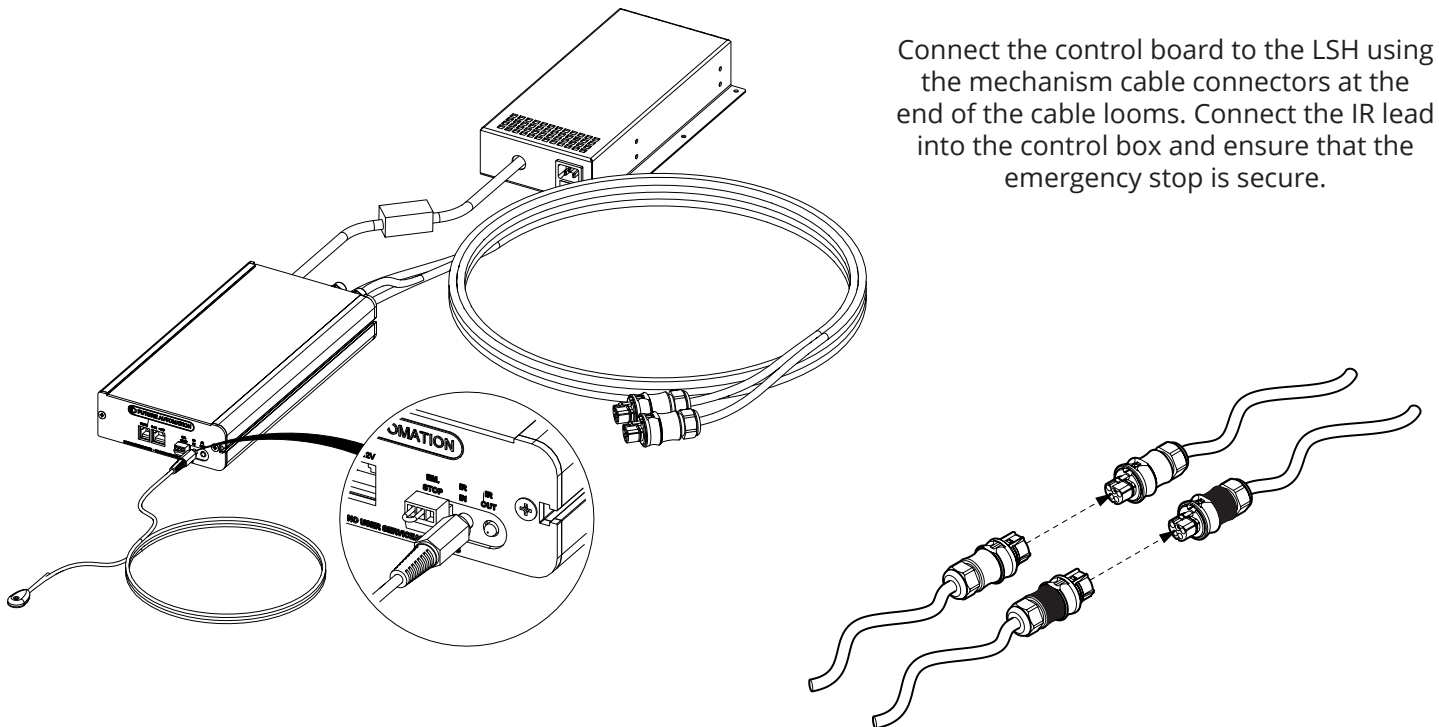
Before installing the LSH mechanism:

- Remove all red cable ties.
- Check there is no damage to any part of the LSH mechanism, control board, or wiring.
- Check all internal and external mechanism wiring is secure.



WARNING: THE LSH MECHANISM **DOES NOT** HAVE AN ANTI-JAM CAPABILITY WHEN OPENING. THE MOTOR DRIVE SYSTEM WILL CONTINUE MOVING UNTIL IT REACHES A LIMIT SWITCH. KEEP HANDS AND ANY OBJECTS CLEAR OF THE MECHANISM DURING OPERATION TO REDUCE RISK OF DAMAGE OR INJURY.

1



Connect the control board to the LSH using the mechanism cable connectors at the end of the cable looms. Connect the IR lead into the control box and ensure that the emergency stop is secure.

2

Familiarise yourself with the mechanism.

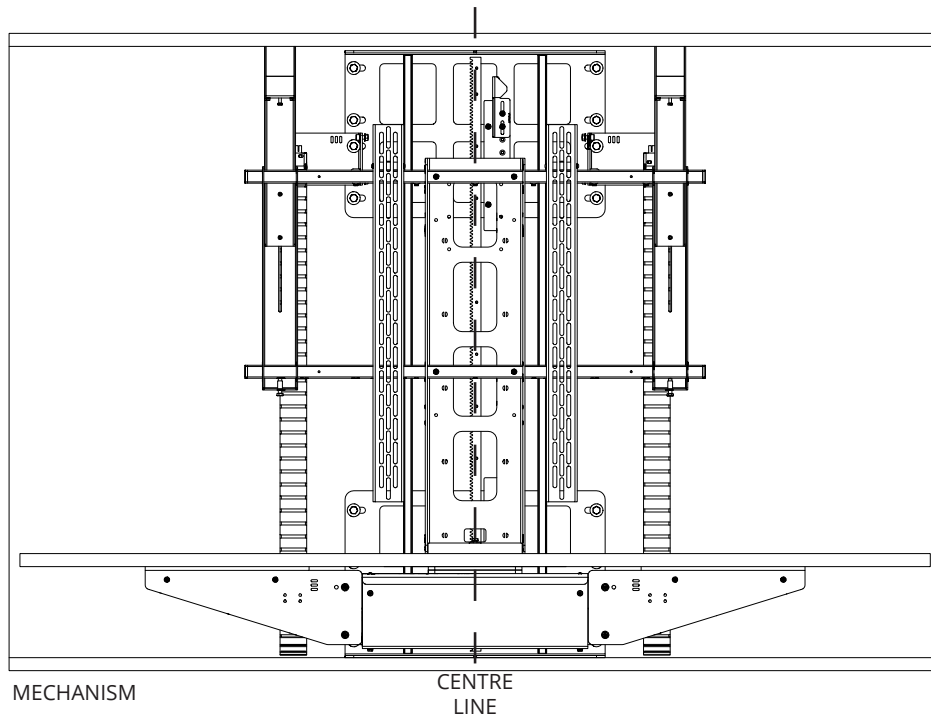
Pressing 'OUT' on the IR remote will raise the lifting beam.

Pressing 'IN' will lower the lifting beam.

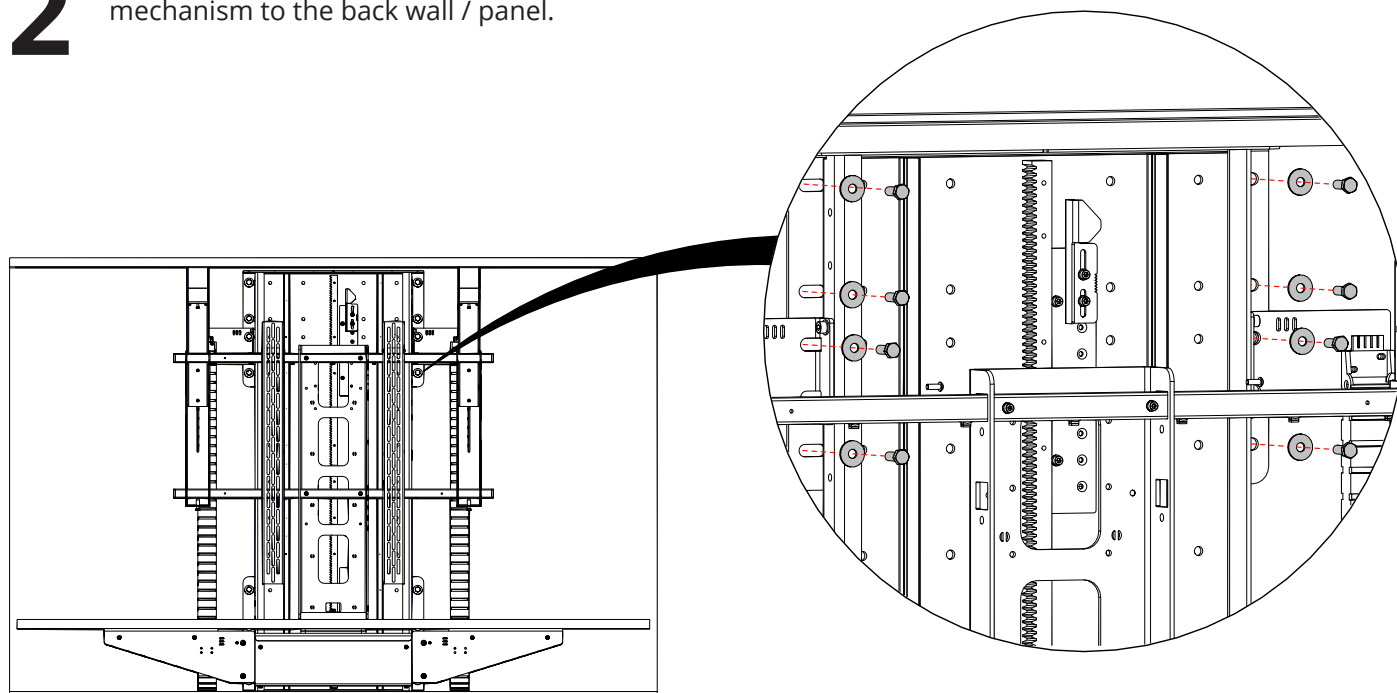
Pressing 'HOME' will take the mechanism to an up position with no swivel rotation.

LSH FITTING

- 1 Place the LSH centrally within the aperture in the pit or cabinet. Ensure the top of the mechanism is 10mm (3/8") below the underside of the floor / cabinet top. Use blocks or a plinth to raise the mechanism if necessary.

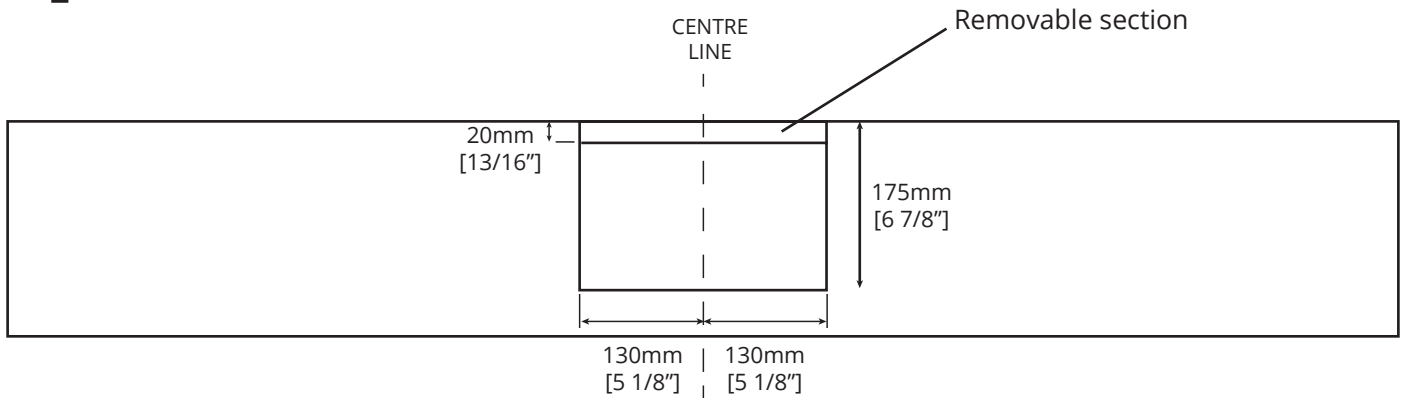


- 2 Once in the correct position, bolt the mechanism to the back wall / panel.



FP - BASE PANEL FITTING

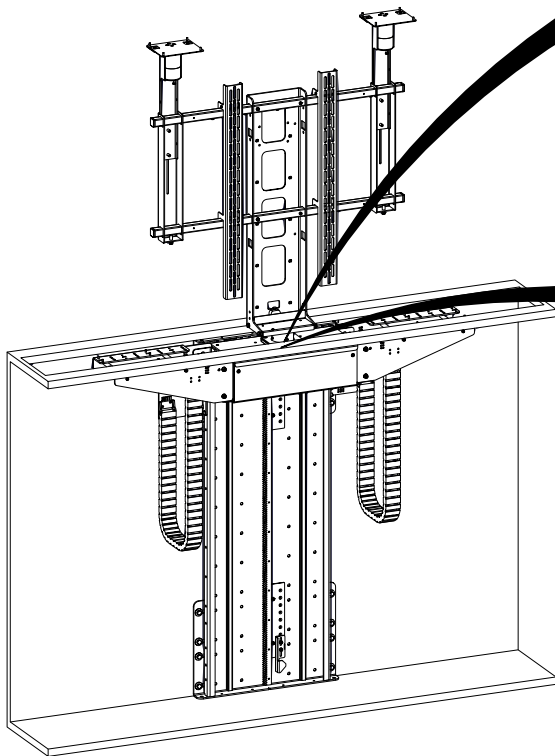
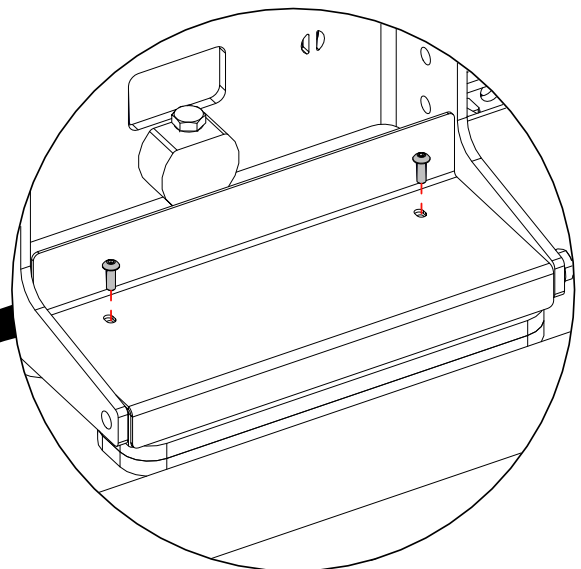
1 The base panel requires a cut-out detail as shown below.



2

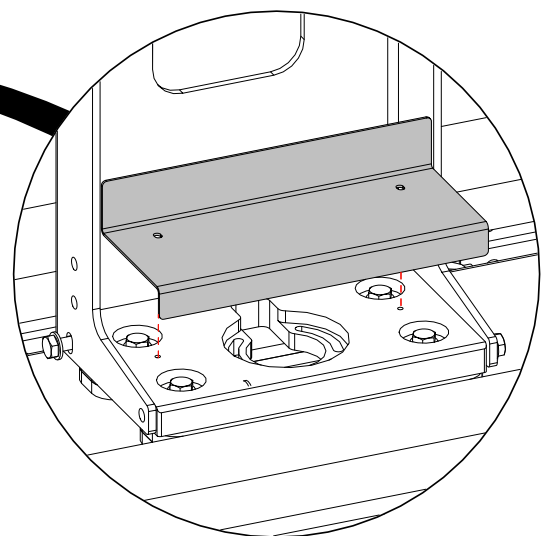
Remove the mount. Unscrew the M4 x12 screws in the cover plate.

2.5mm



3

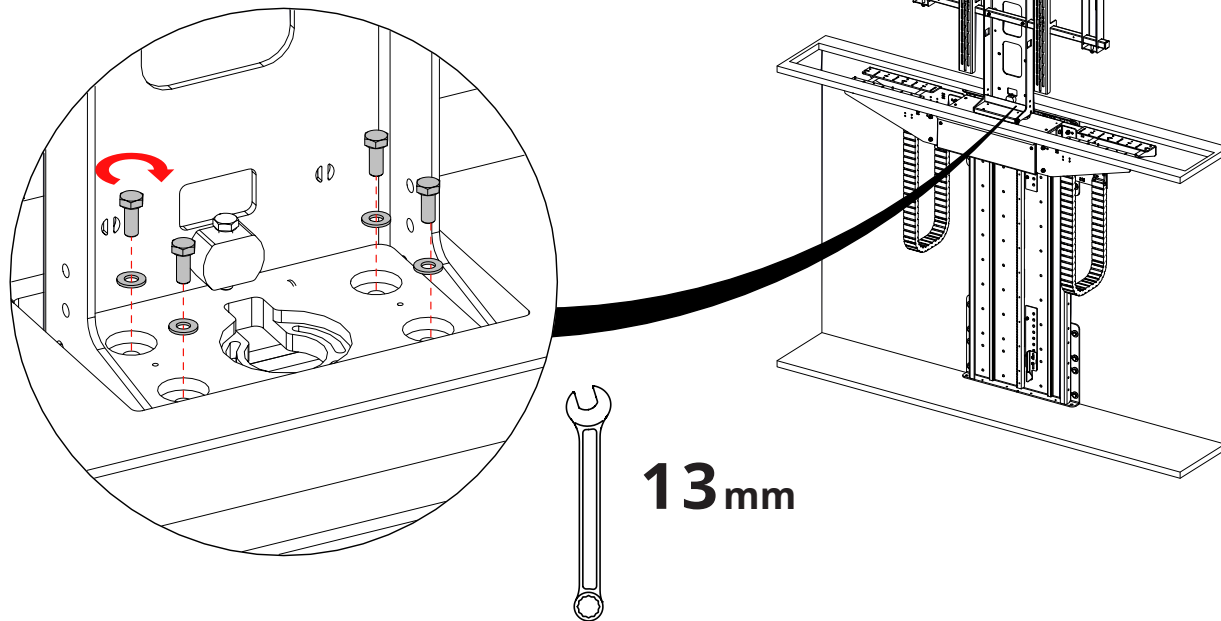
Lift off the cover plate and set both the bolts and cover plate to one side until cables have been routed.



FP - BASE PANEL FITTING CONT.

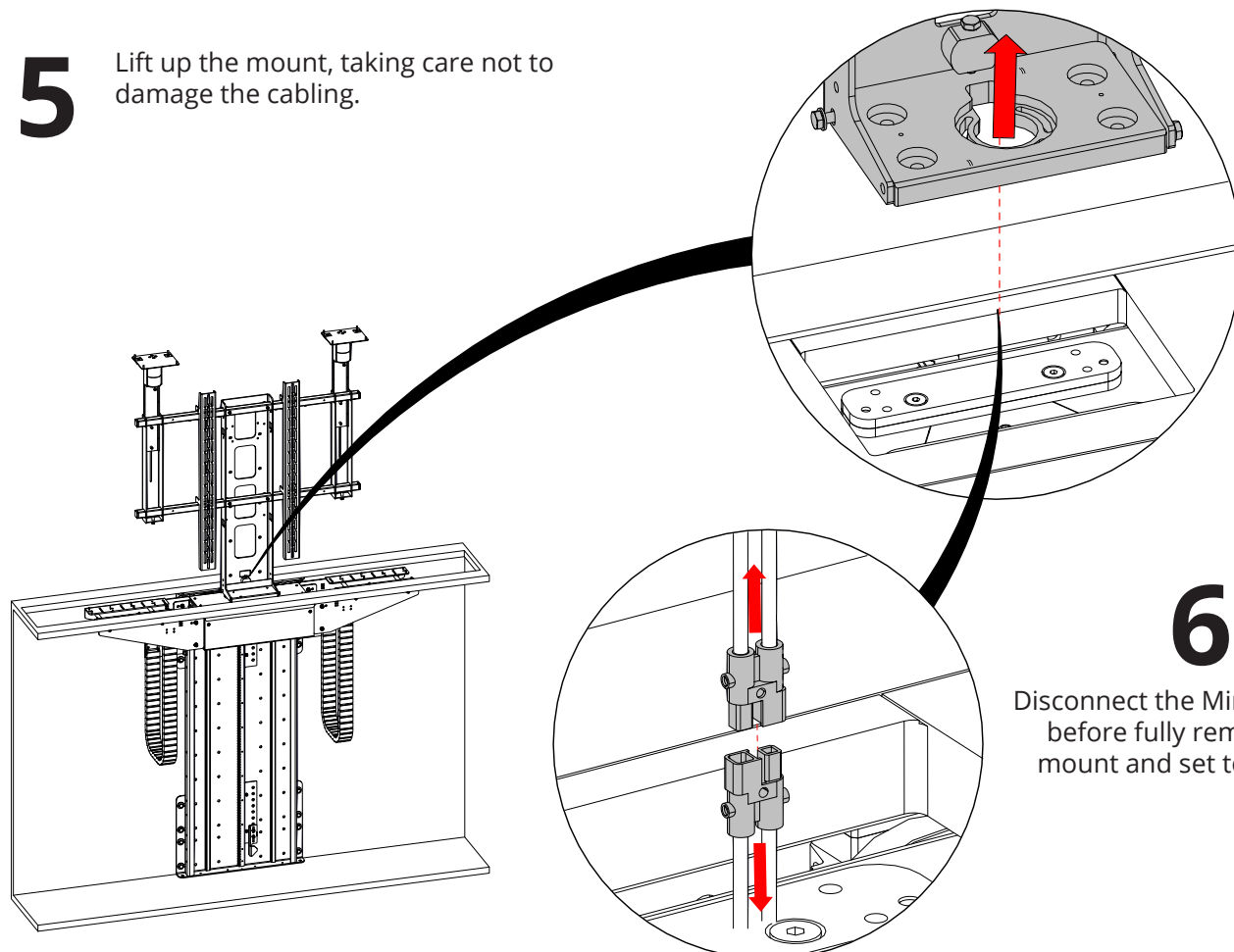
4

Remove the 4 M5 x 20 bolts from the bottom of the mount.



5

Lift up the mount, taking care not to damage the cabling.

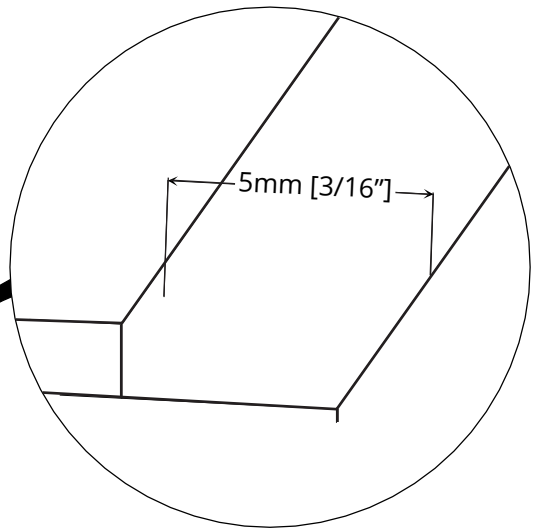
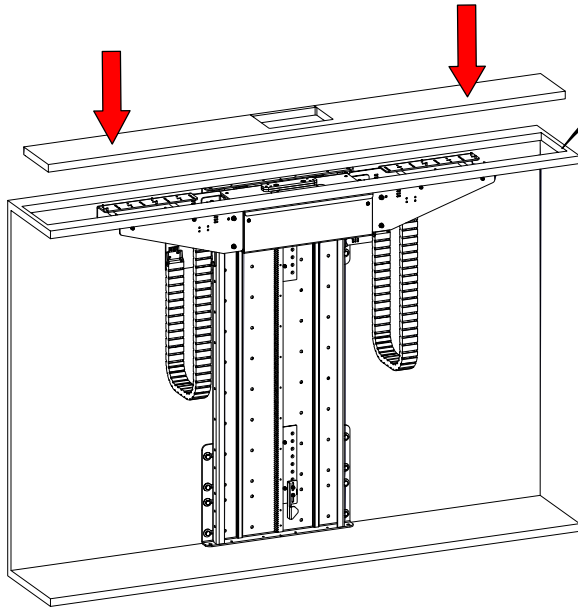


6

Disconnect the Mini Connector before fully removing the mount and set to one side.

FP - BASE PANEL FITTING CONT.

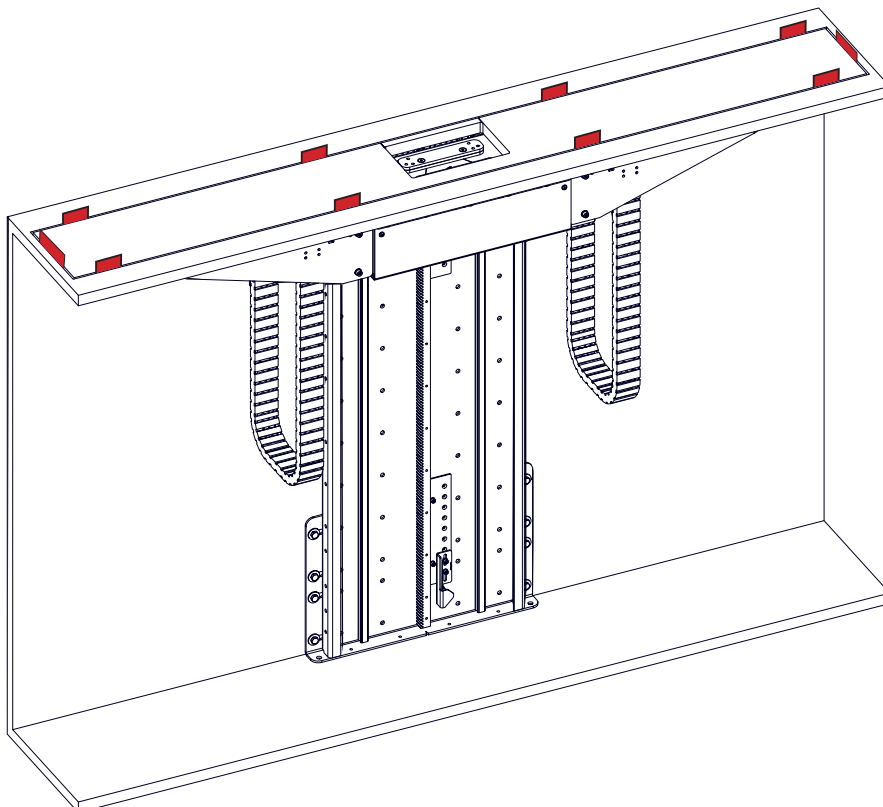
7 Place base panel onto the base support bracket.



8

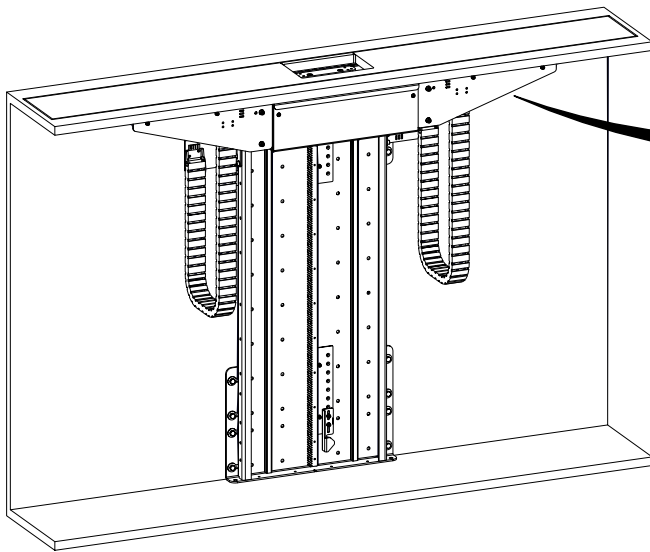
Ensure there is at least 5mm [3/16"] gap between the base panel and the aperture on all sides.

9 Use 5mm shims to help align the base panel within the aperture.



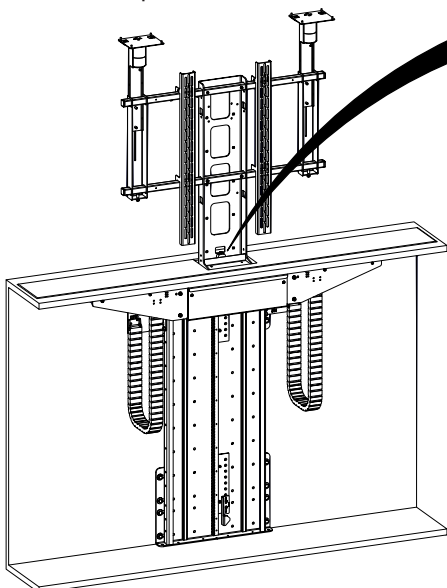
FP - BASE PANEL FITTING CONT.

10 Using the appropriate fixings, secure the base panel to the mechanism on both sides. Use the IR remote (page 15) to position the lifting beam for easier access.



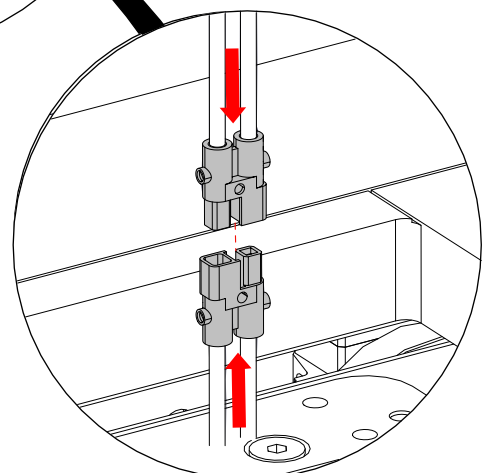
11

Lift the mount back into position.



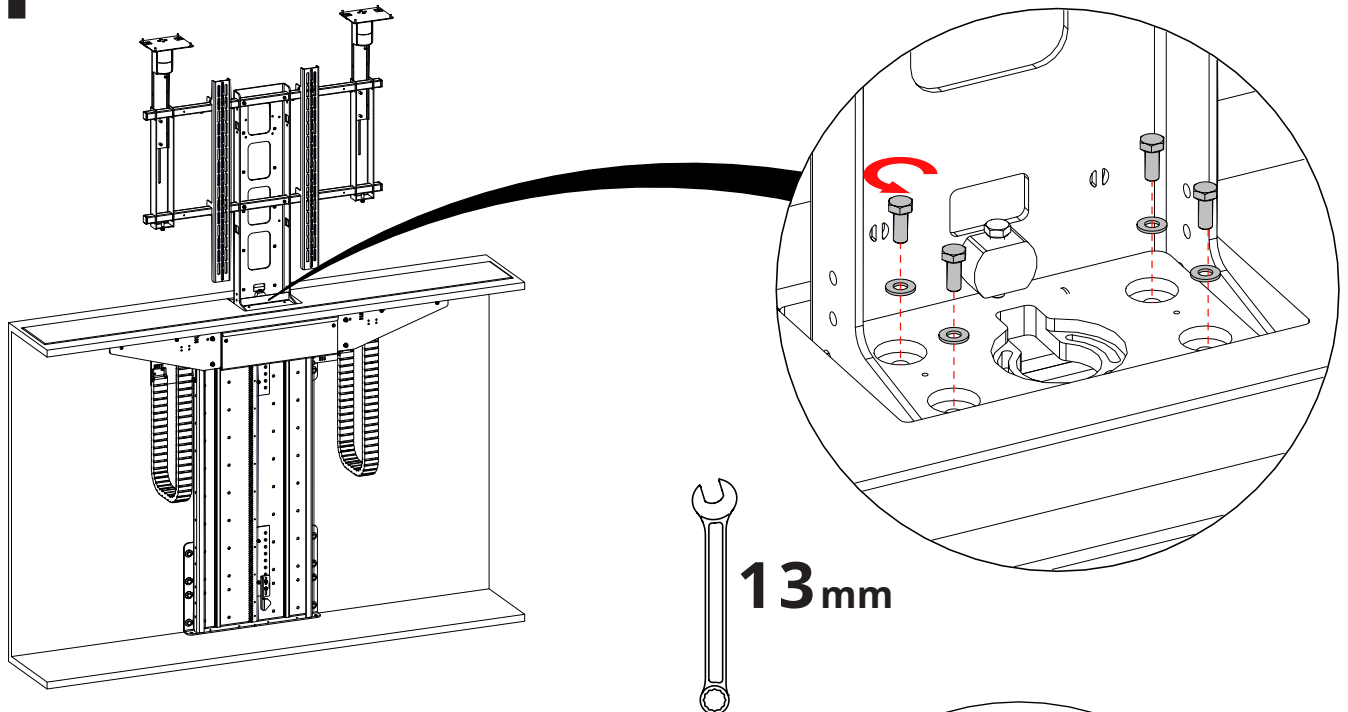
12

Reconnect Mini Connector before fully aligning mount.

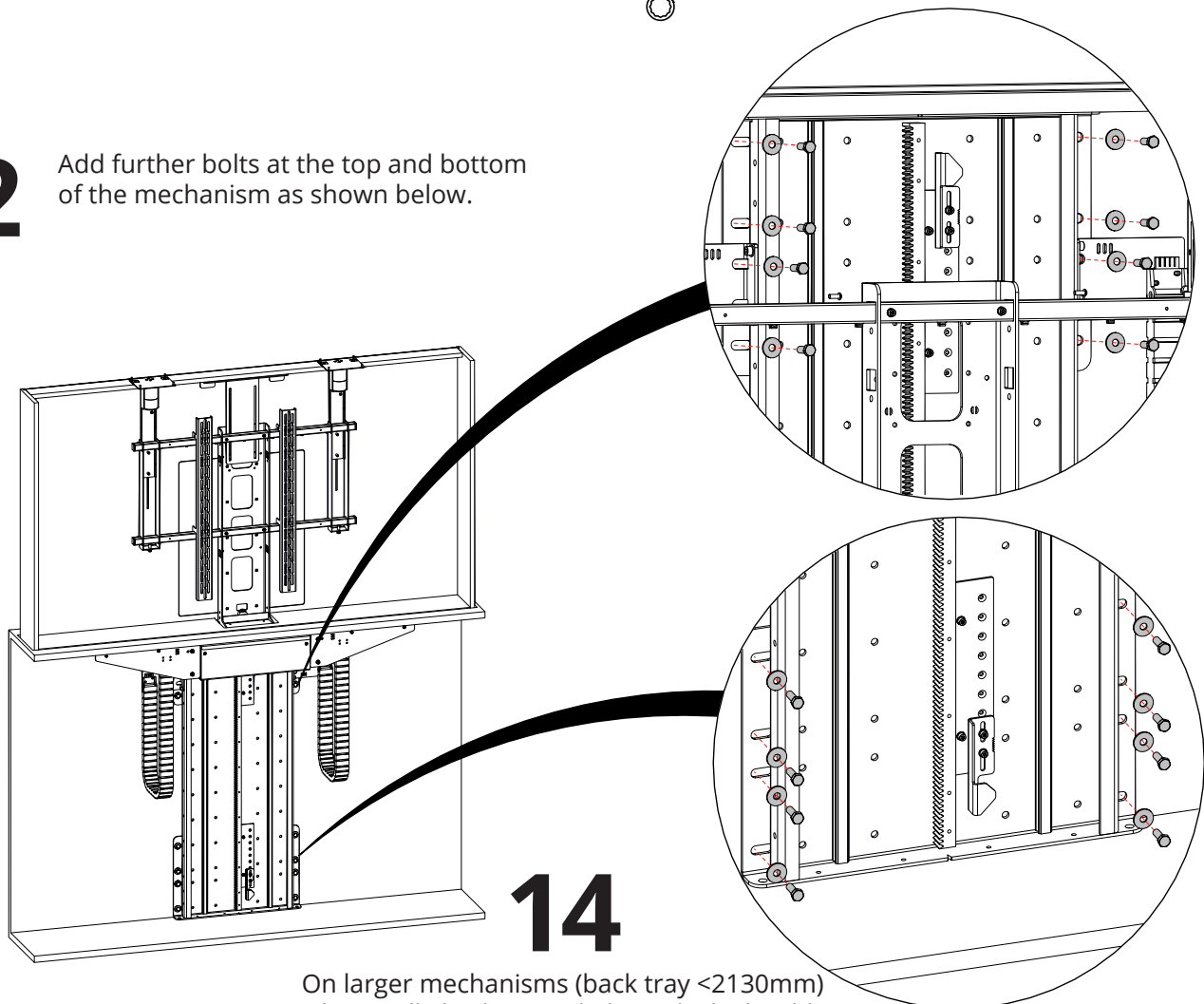


FP - BASE PANEL FITTING CONT.

- 1** Reattach the 4 M5 x 20 bolts through the bottom of the mount.



- 2** Add further bolts at the top and bottom of the mechanism as shown below.

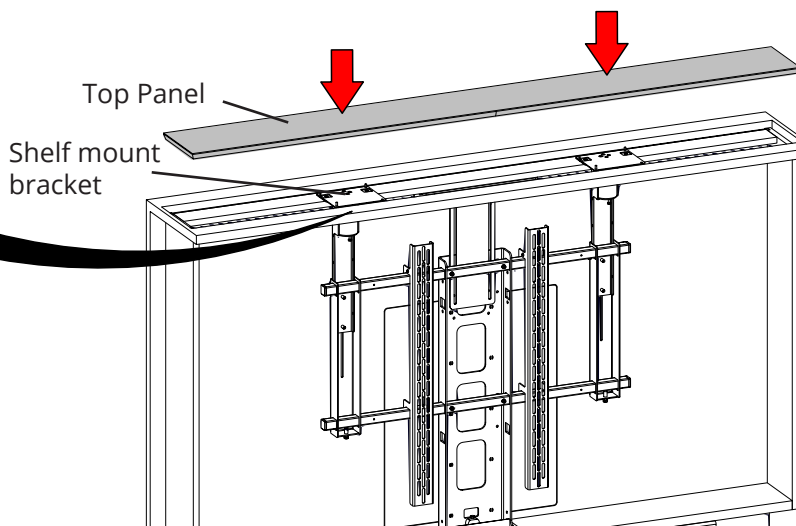
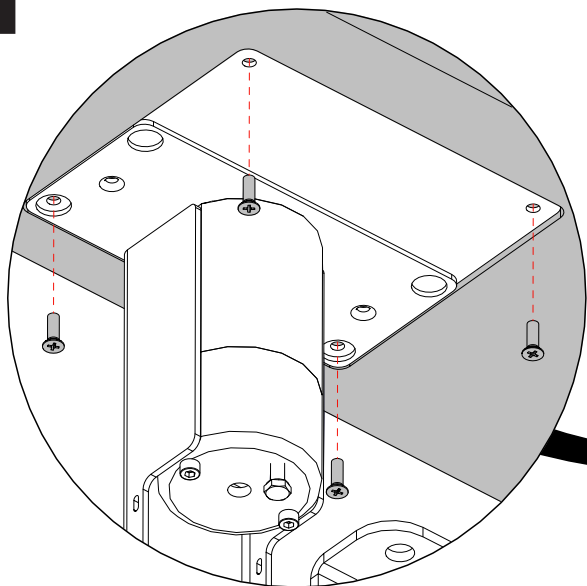


14

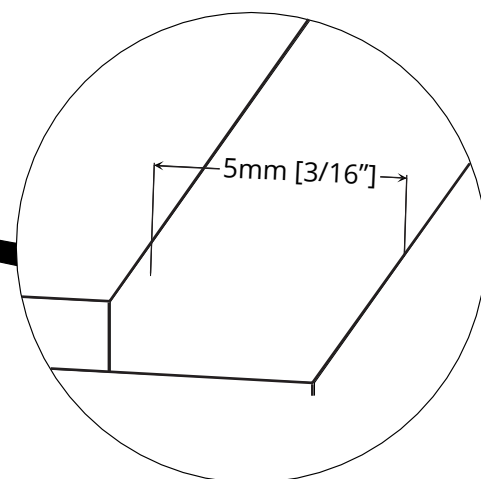
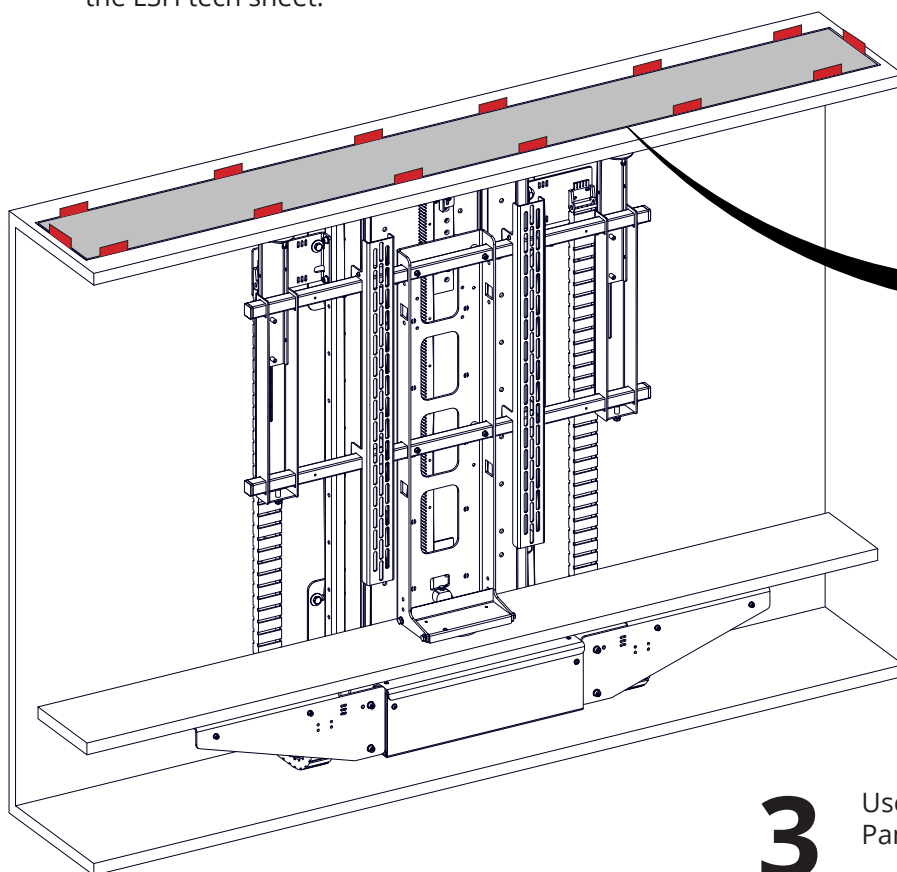
On larger mechanisms (back tray <2130mm) there will also be a mid plate which should be fixed at this stage.

FP - TOP PANEL FITTING

- 1** Lower mechanism till it hits the lower limit switch.



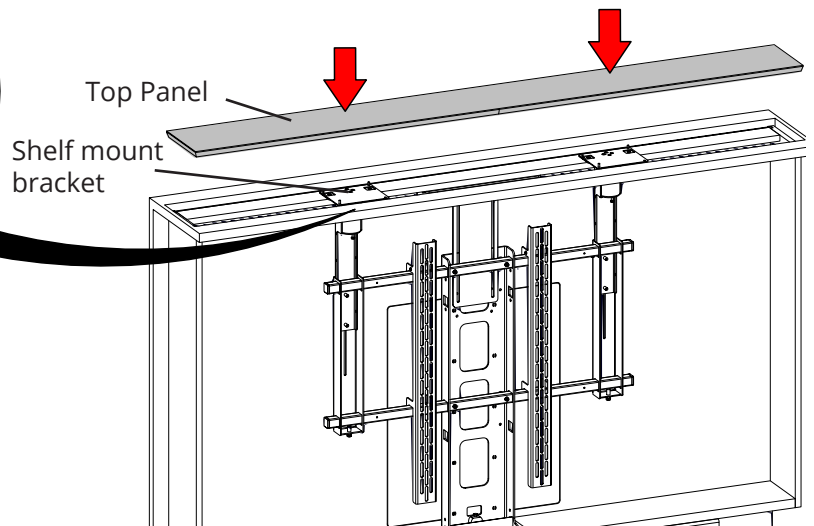
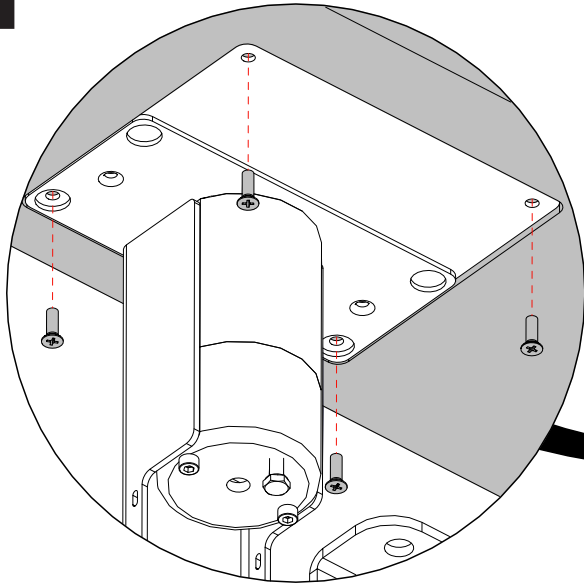
- 2** Place the Top Panel onto the shelf mount brackets. Fix the Top Panel from the underside using the appropriate fixings. Top Panel dimensions can be found on the LSH tech sheet.



- 3** Use 5mm shims to help align the Top Panel within the aperture.

FP MO - TOP PANEL MARINE OUTDOOR FITTING

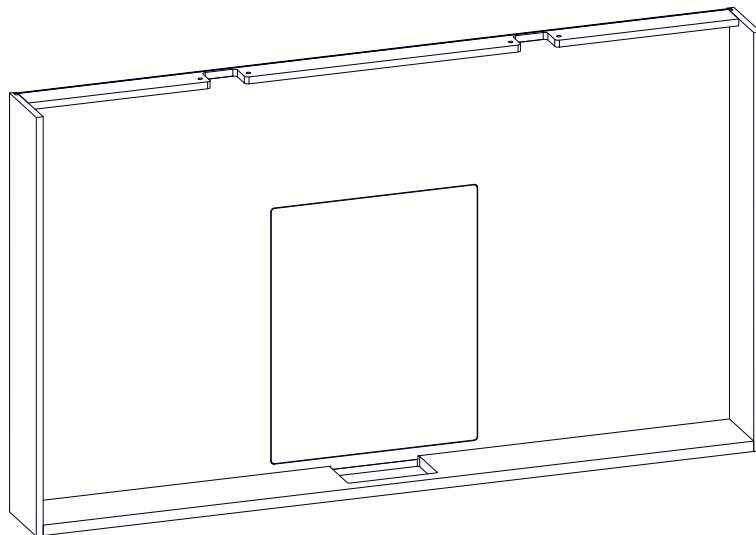
- 1** Lower mechanism till it hits the lower limit switch.



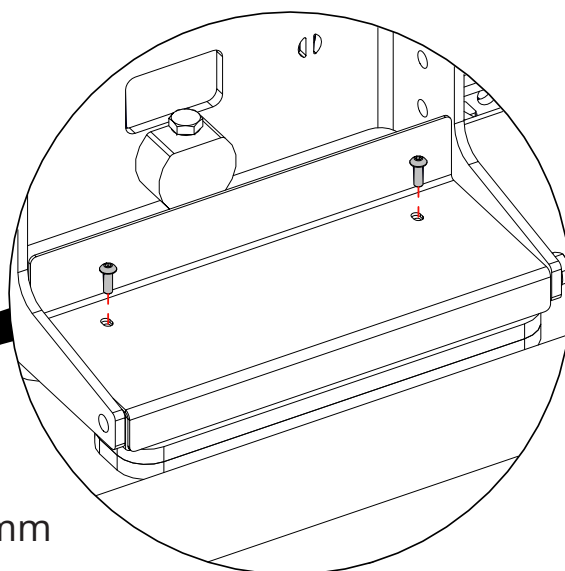
- 2** Place the Top Panel onto the shelf mount brackets. Fix the Top Panel from the underside using the appropriate fixings. Top Panel dimensions can be found on the LSH tech sheet.

BE - BASE PANEL FITTING

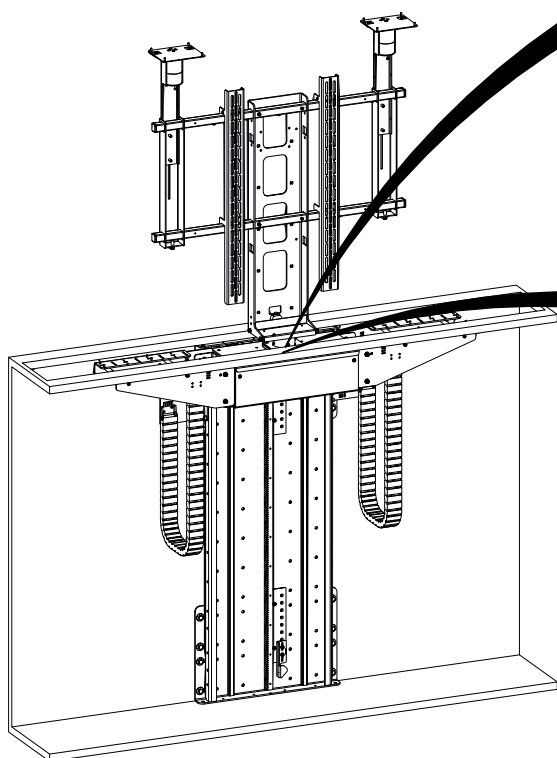
- 1** The box enclosure requires specific cut outs, see tech sheet for details.



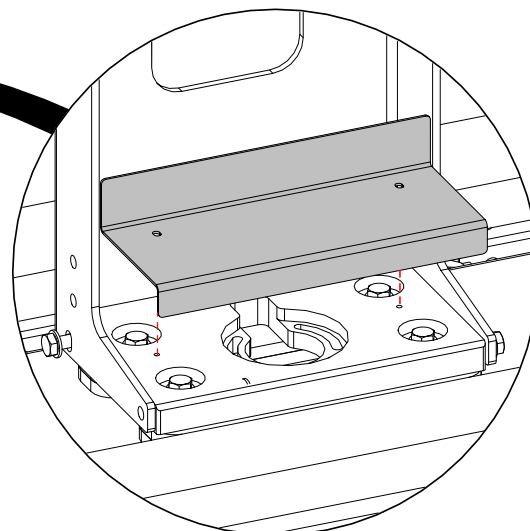
- 2** Remove the mount. Unscrew the cover plate.



2.5mm



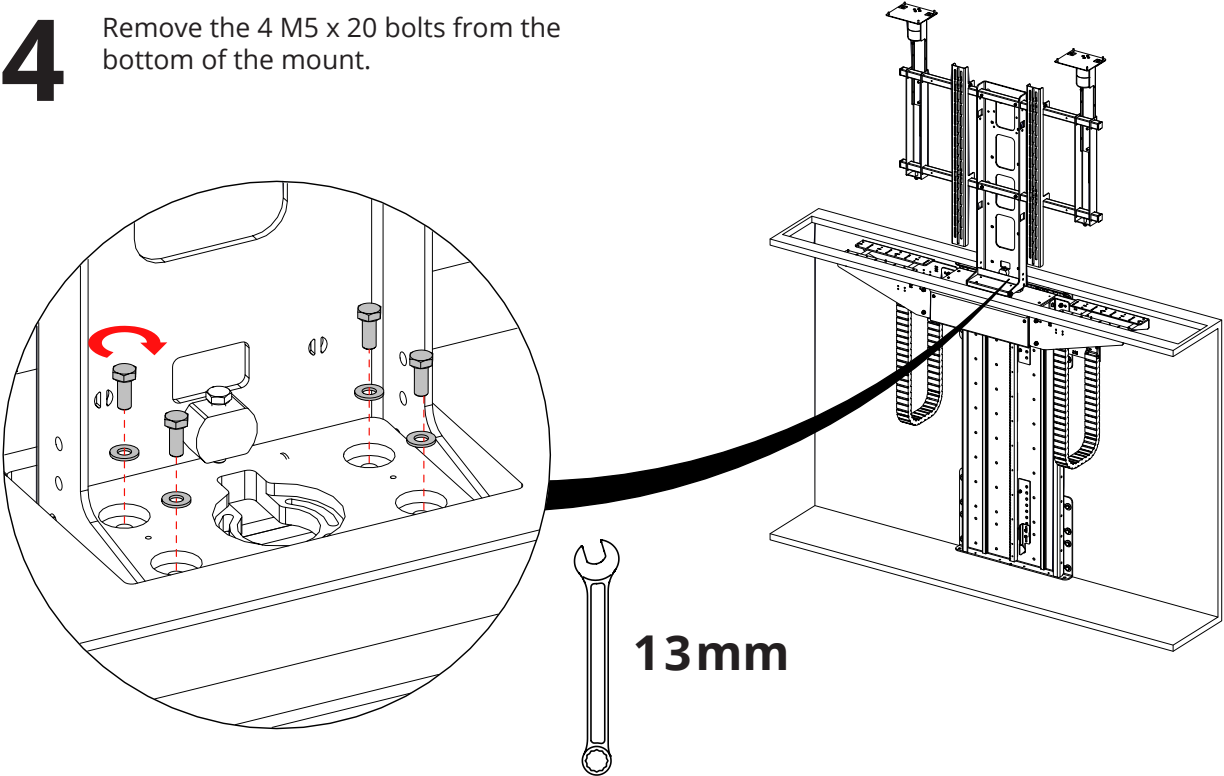
3



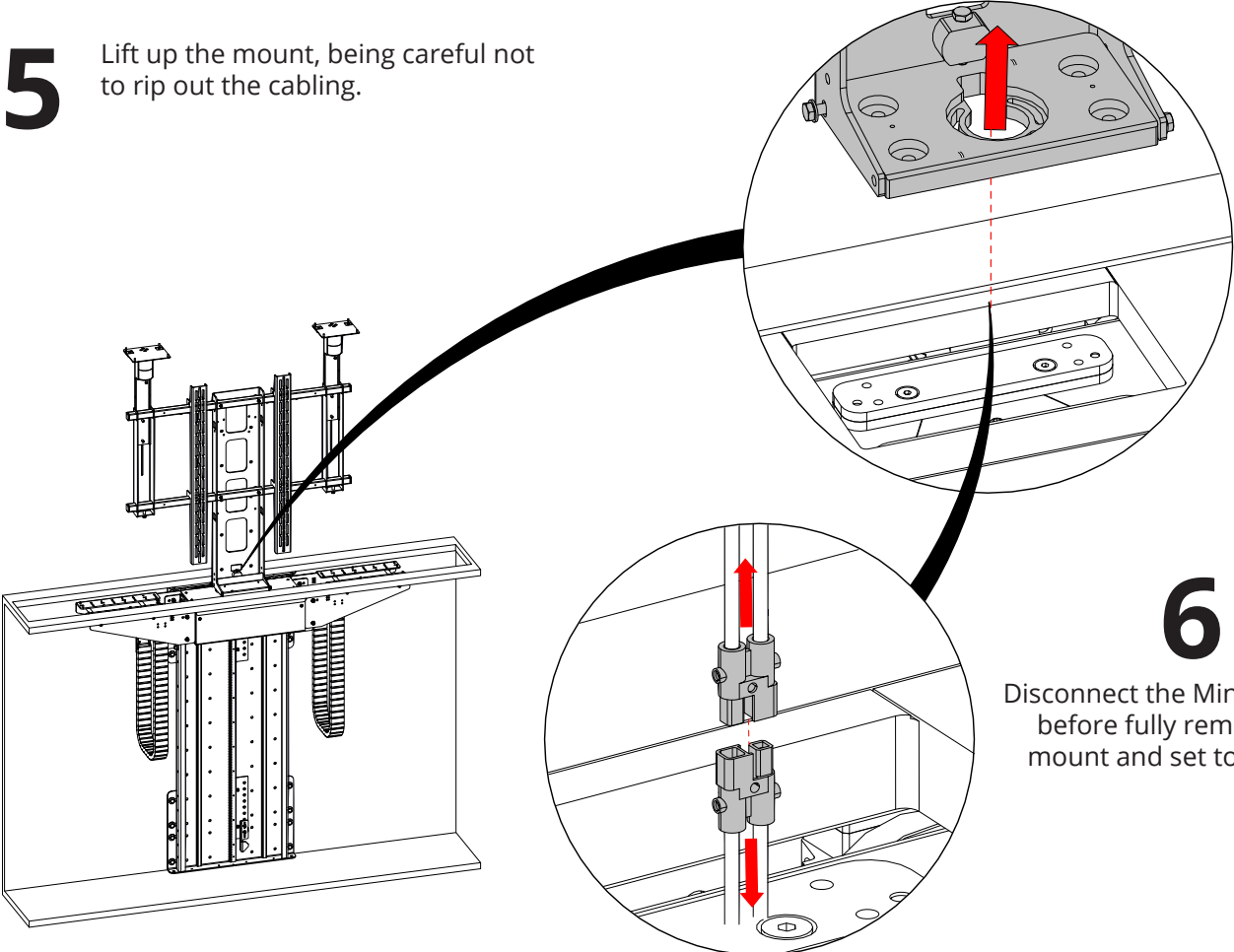
Lift off the cover plate and set both the bolts and cover plate to one side until cables have been routed.

BE - BASE PANEL FITTING CONT.

4 Remove the 4 M5 x 20 bolts from the bottom of the mount.



5 Lift up the mount, being careful not to rip out the cabling.

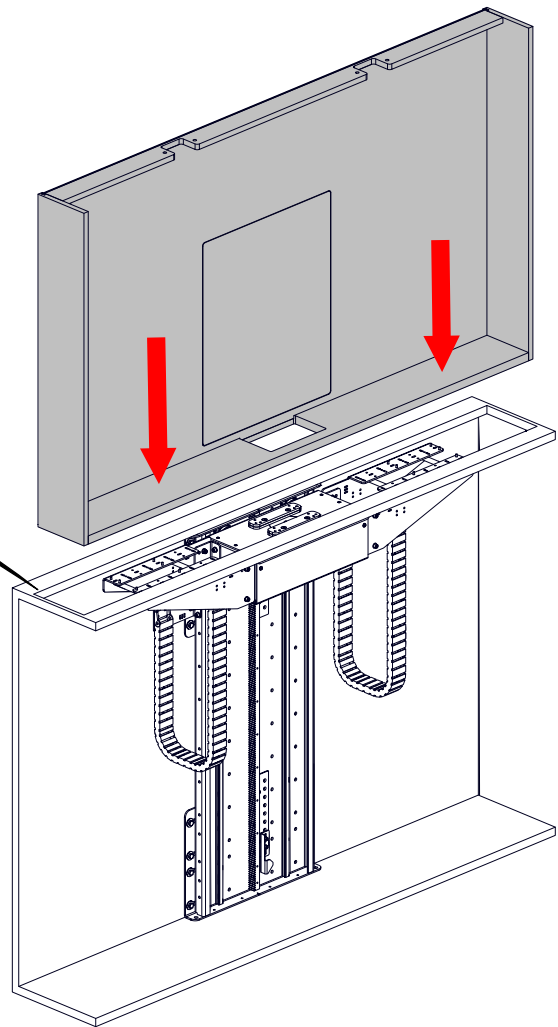
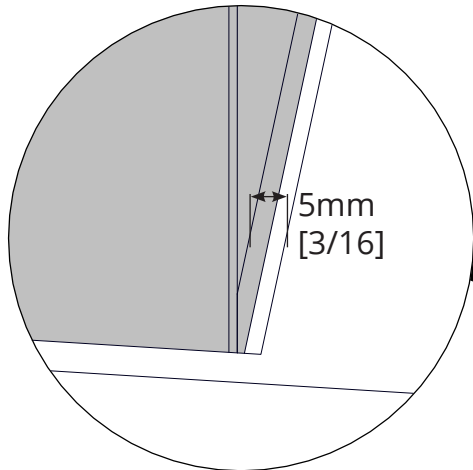


6 Disconnect the Mini Connector before fully removing the mount and set to one side.

BE - BASE PANEL FITTING CONT.

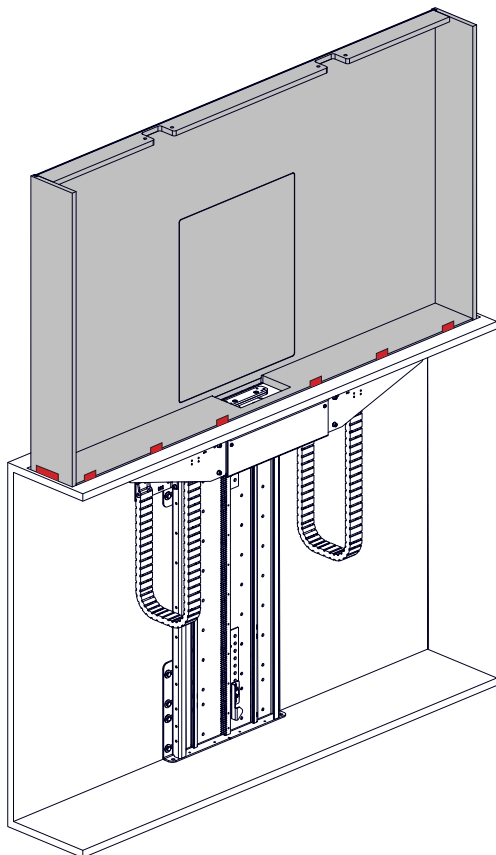
7

Rotate box enclosure frame
around the mechanism.



8

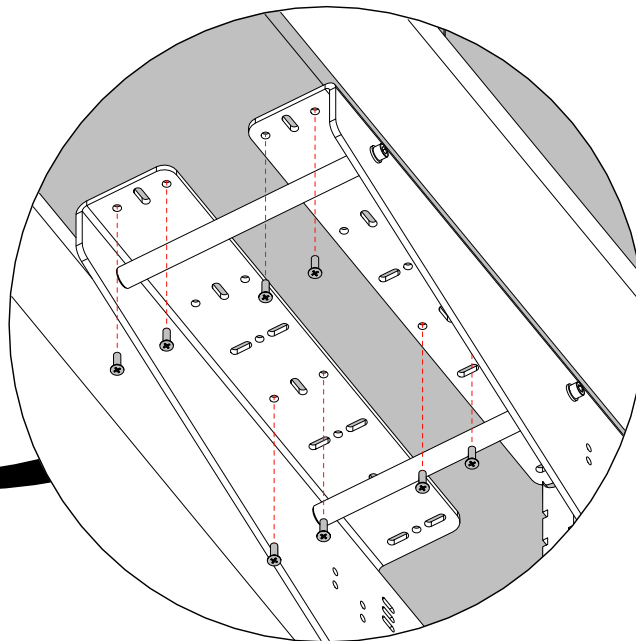
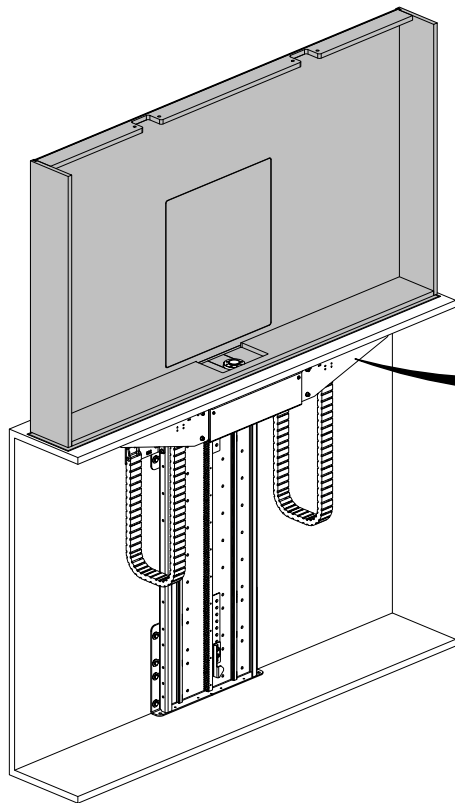
Ensure there is at least a 5mm [3/16"]
gap between the base panel and the
aperture on all sides.



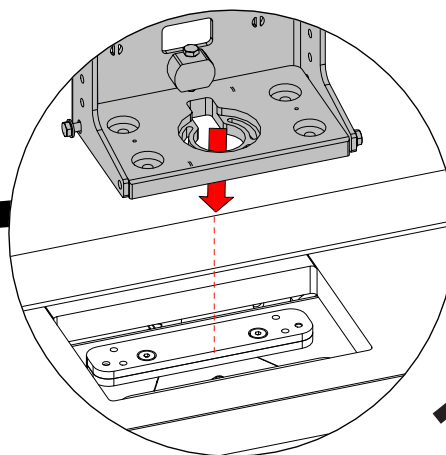
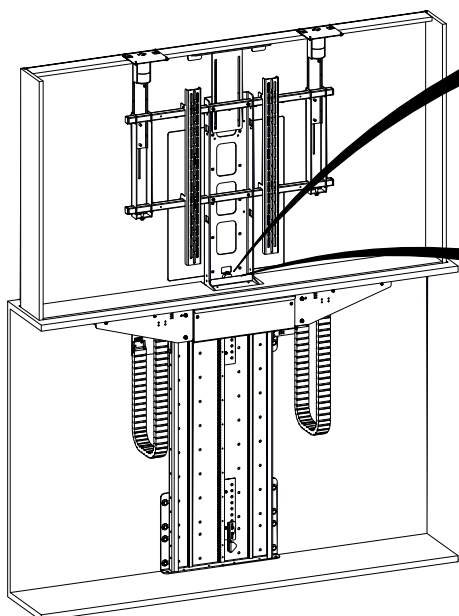
9

Use 5mm shims to help align the base
panel within the aperture.

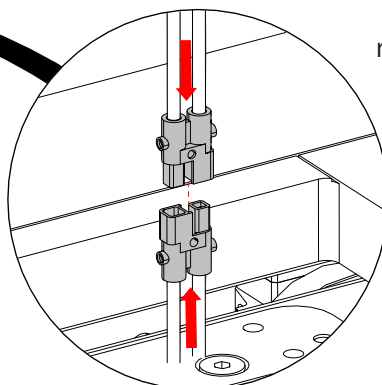
BE - BASE PANEL FITTING CONT.



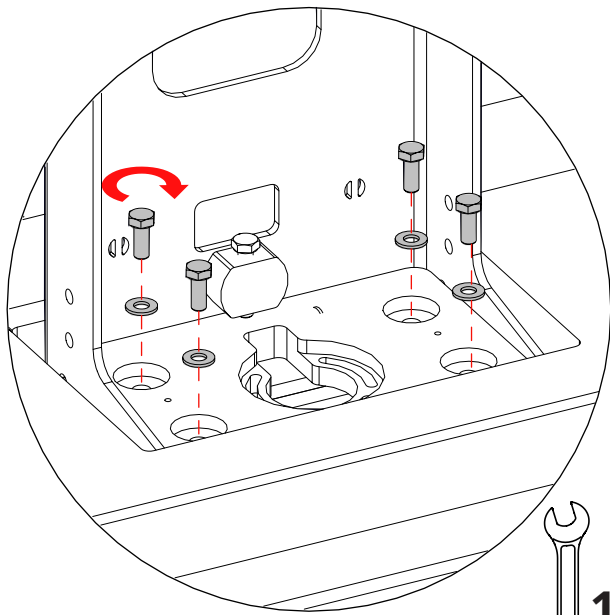
10 Using the appropriate fixings, secure the base panel to the mechanism on both sides. Use the IR remote (page 15) to position the lifting beam for easier access.



11 Lift the mount into place and reconnect the Mini Connector



BE - BASE PANEL FITTING CONT.

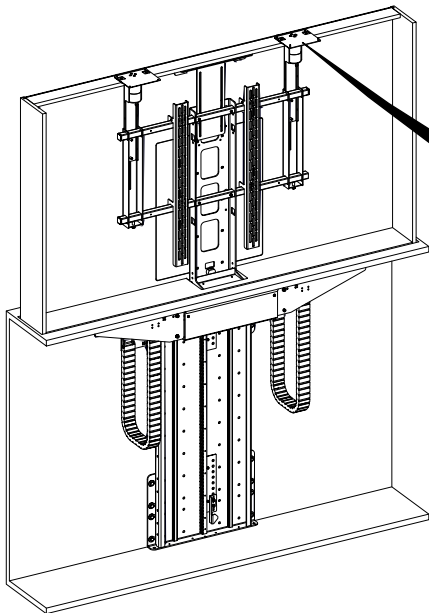
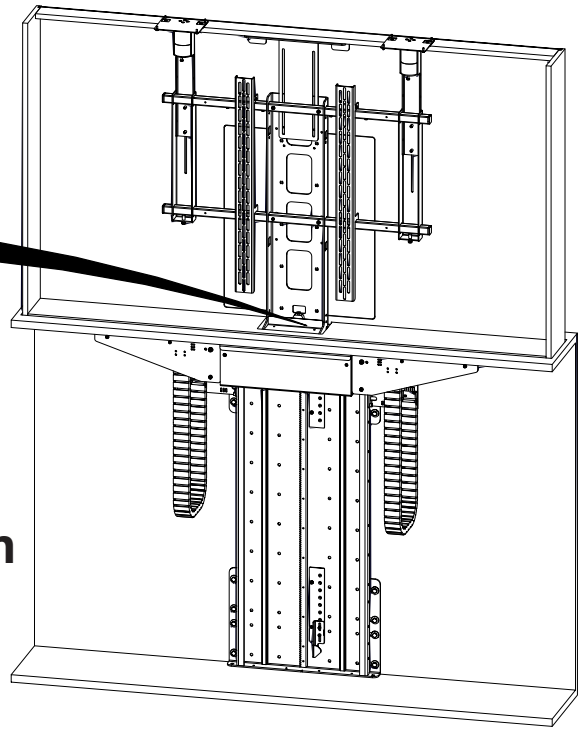


12

Reattach the 4 bolts from the bottom to the mount.

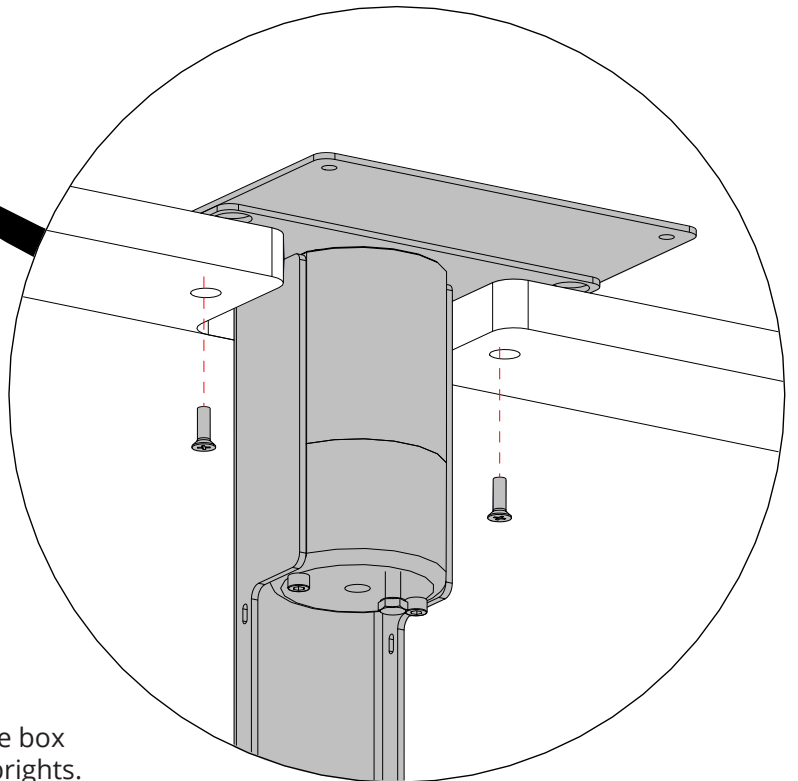


13mm



13

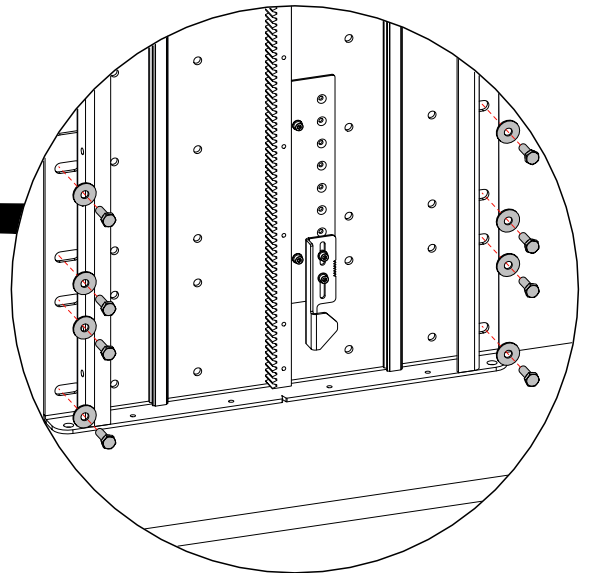
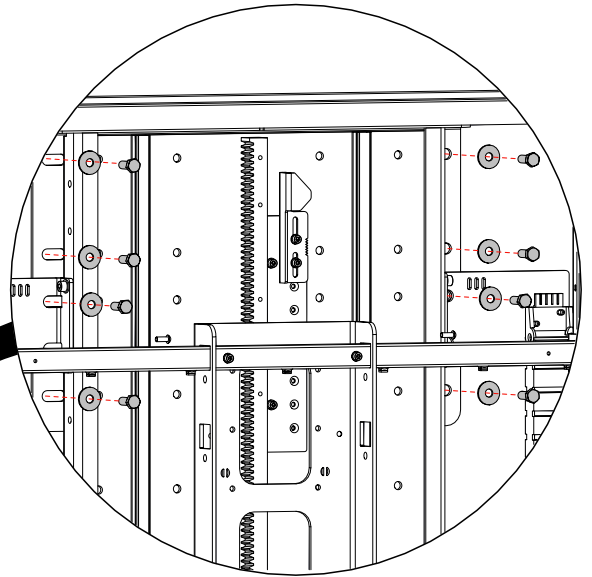
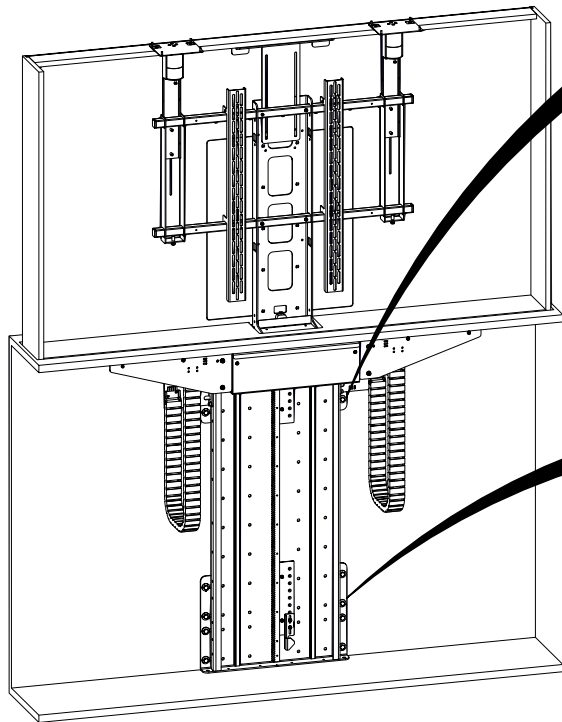
Affix the top of the box enclosure to the uprights.



BE - BASE PANEL FITTING CONT.

14

Add further bolts at the top and bottom of the mechanism as shown below.

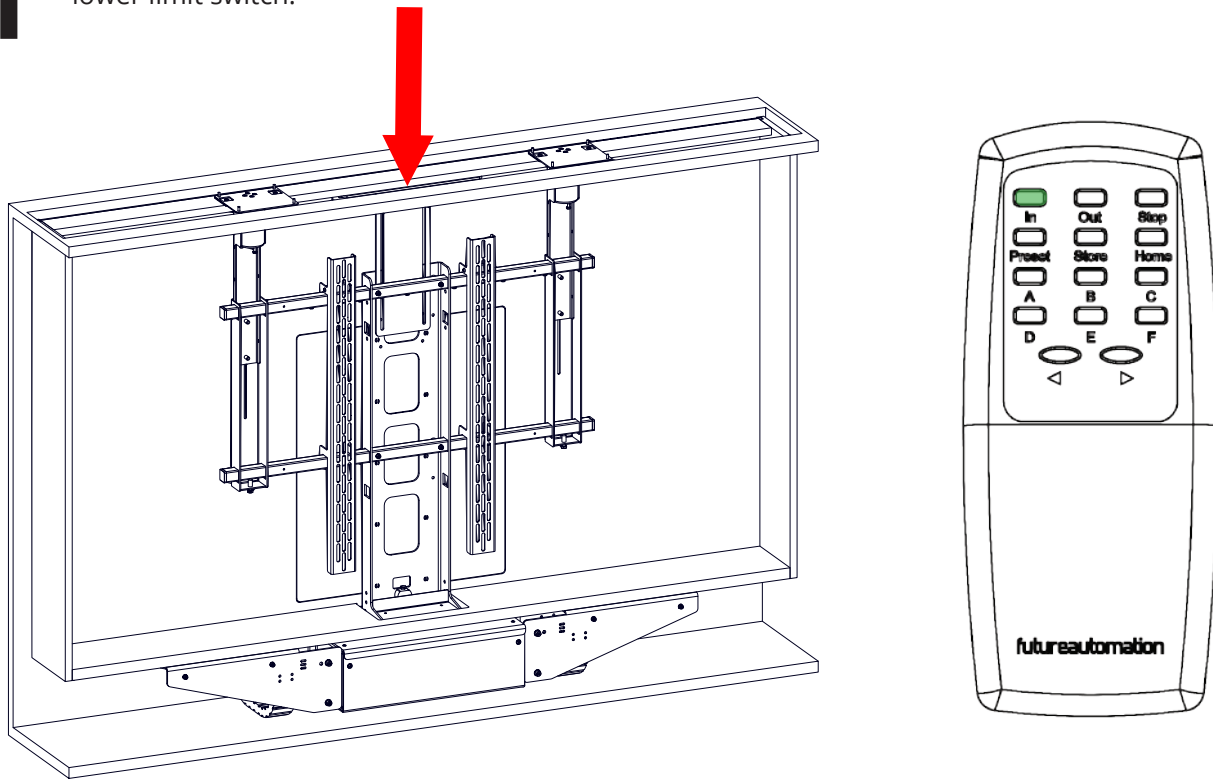


15

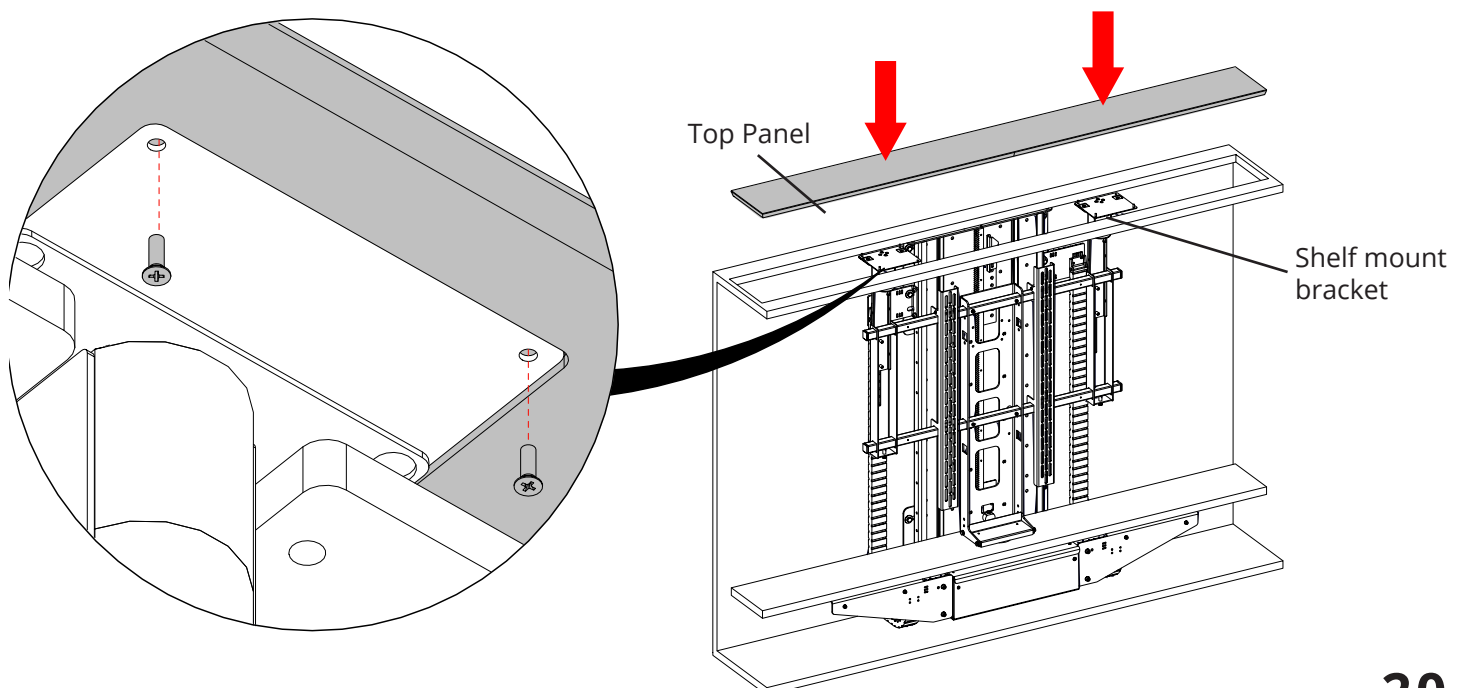
On larger mechanisms (back tray >2130mm) there will also be a mid plate which should be fixed at this stage.

BE - TOP PANEL FITTING

- 1** Lower the mechanism until it reaches the lower limit switch.



- 2** Place the Top Panel onto the shelf mount brackets. Fix the Top Panel from the underside using the appropriate fixings. Top Panel dimensions can be found on the LSH tech sheet.

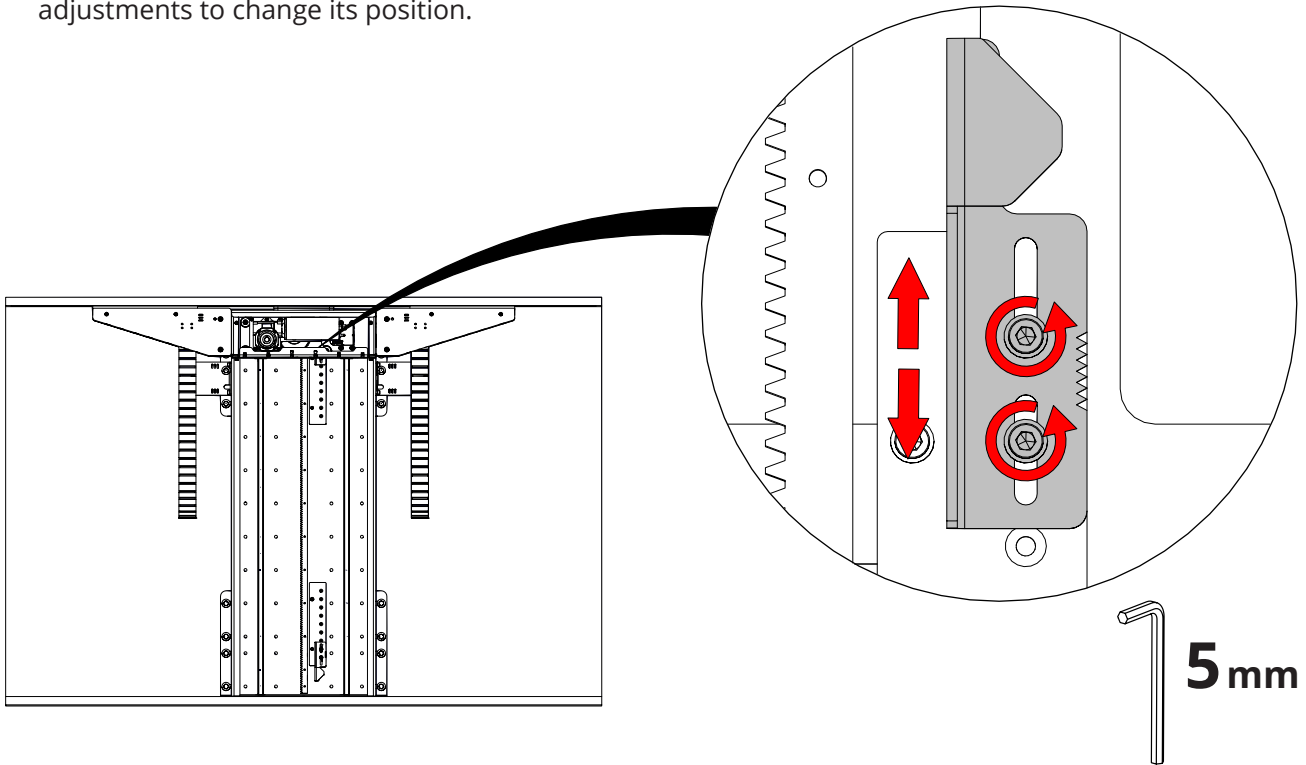


FP - BASE PANEL ADJUSTMENTS

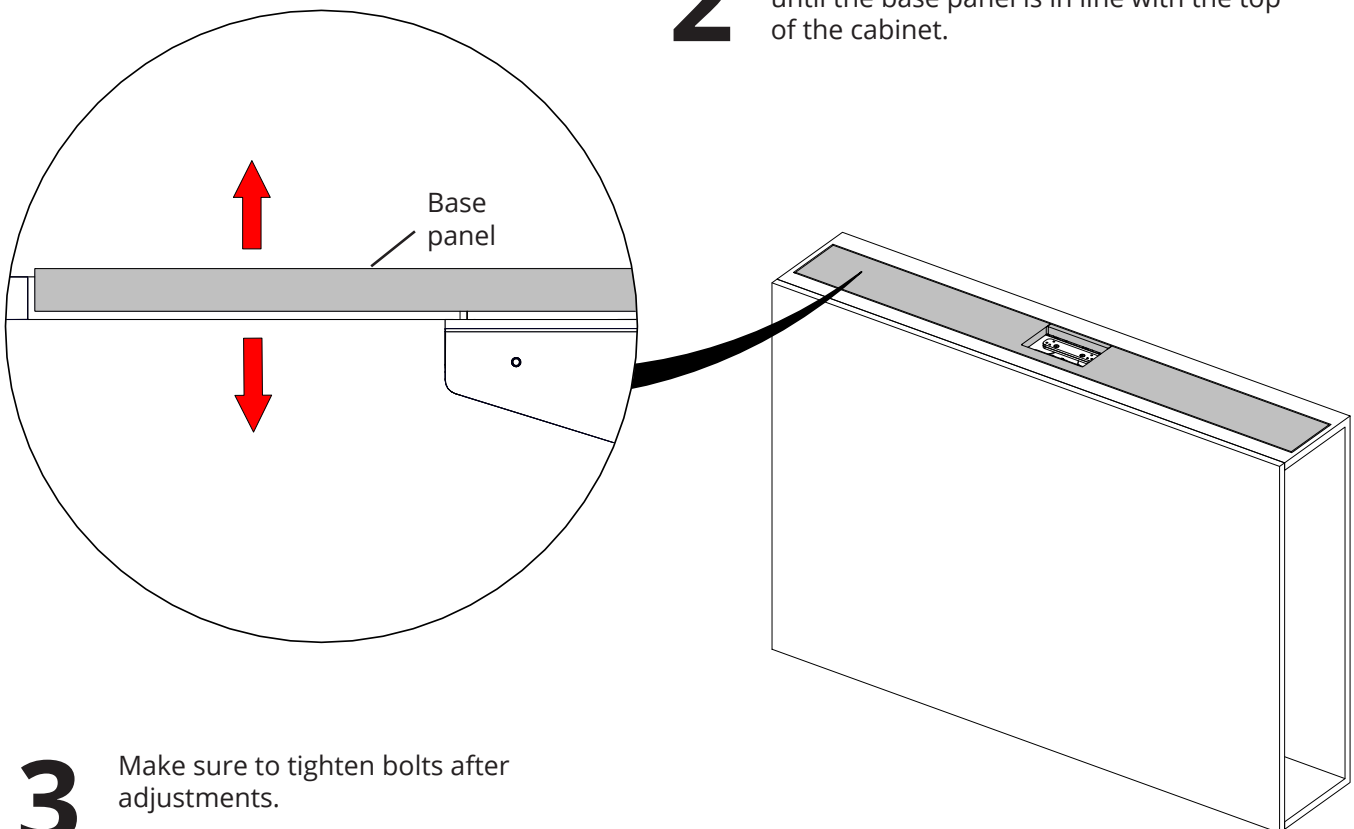


Only make small adjustments to the top switch to avoid any collisions.

- 1** Loosen the bolts shown below to adjust the position of the top switch stop. Use the serrated edge to make small adjustments to change its position.



- 2** Adjust the position of the top switch stop until the base panel is in line with the top of the cabinet.



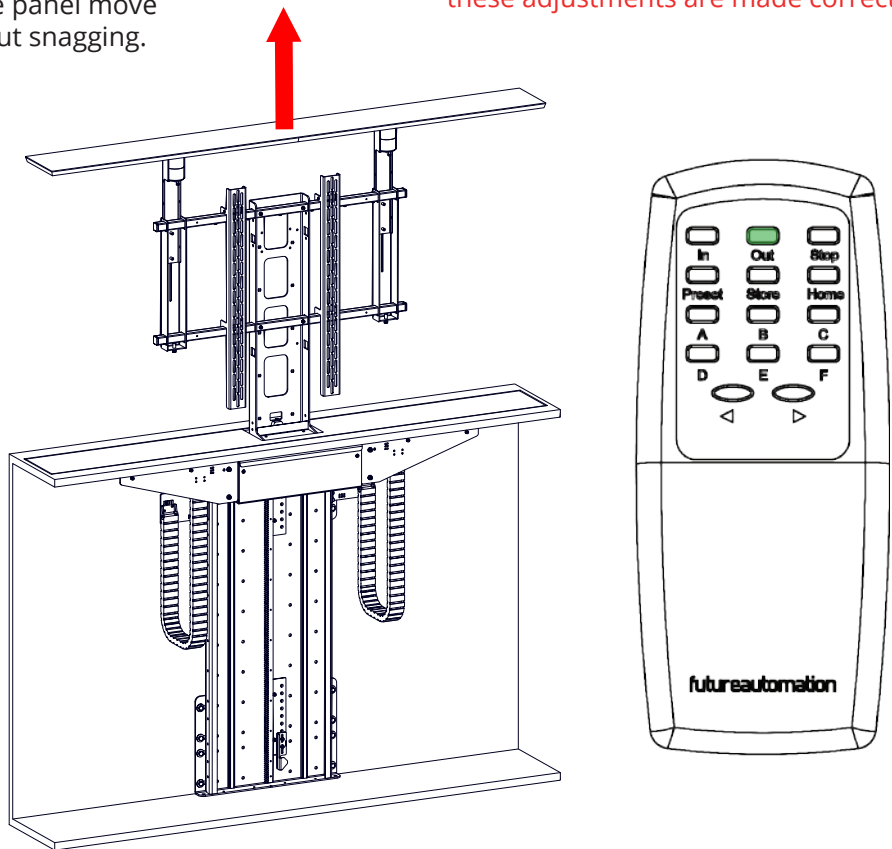
- 3** Make sure to tighten bolts after adjustments.

FP - TOP PANEL ADJUSTMENT

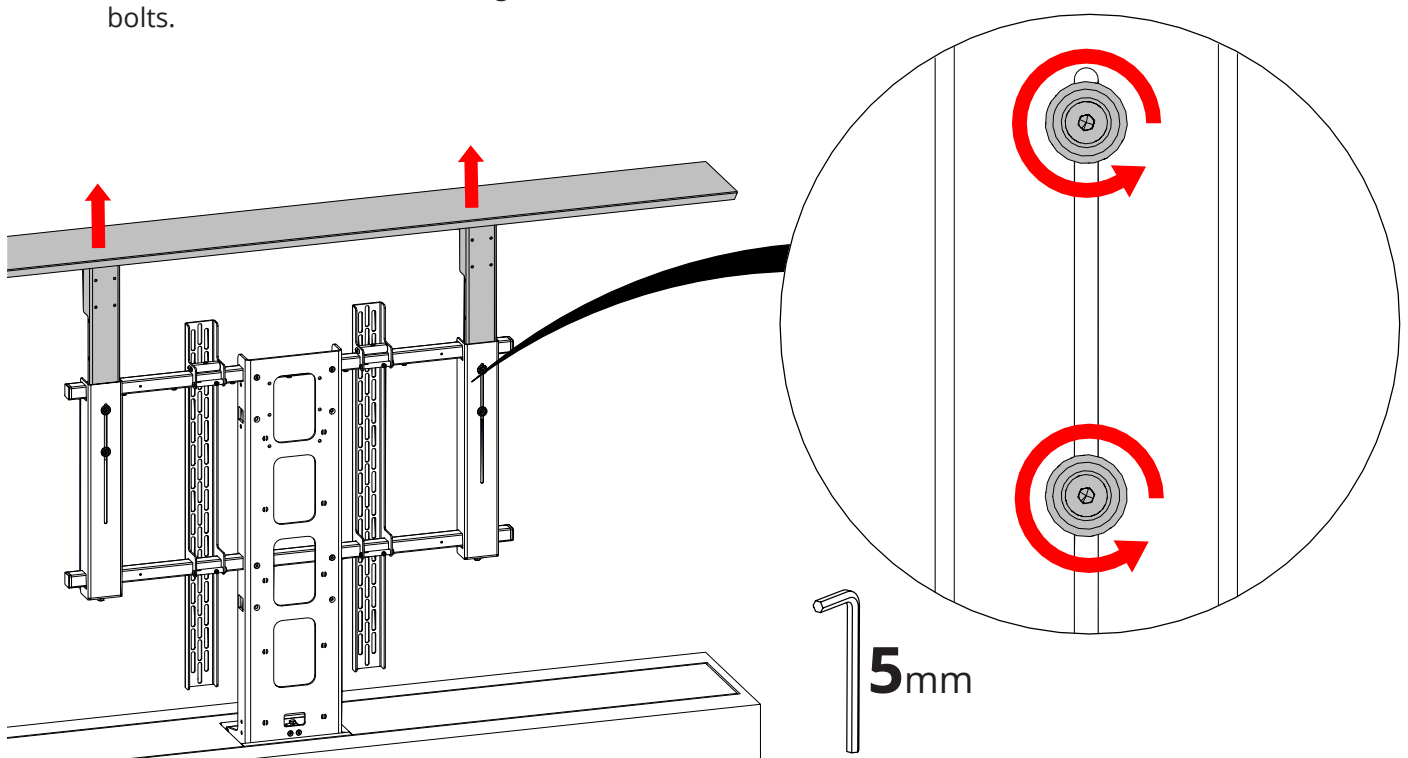


The top panel uprights have safety switches built in, as well as the floating top. As such its critical that these adjustments are made correctly.

- 1 Bring the mechanism out to its full extent. Check that the top and base panel move through the aperture without snagging.

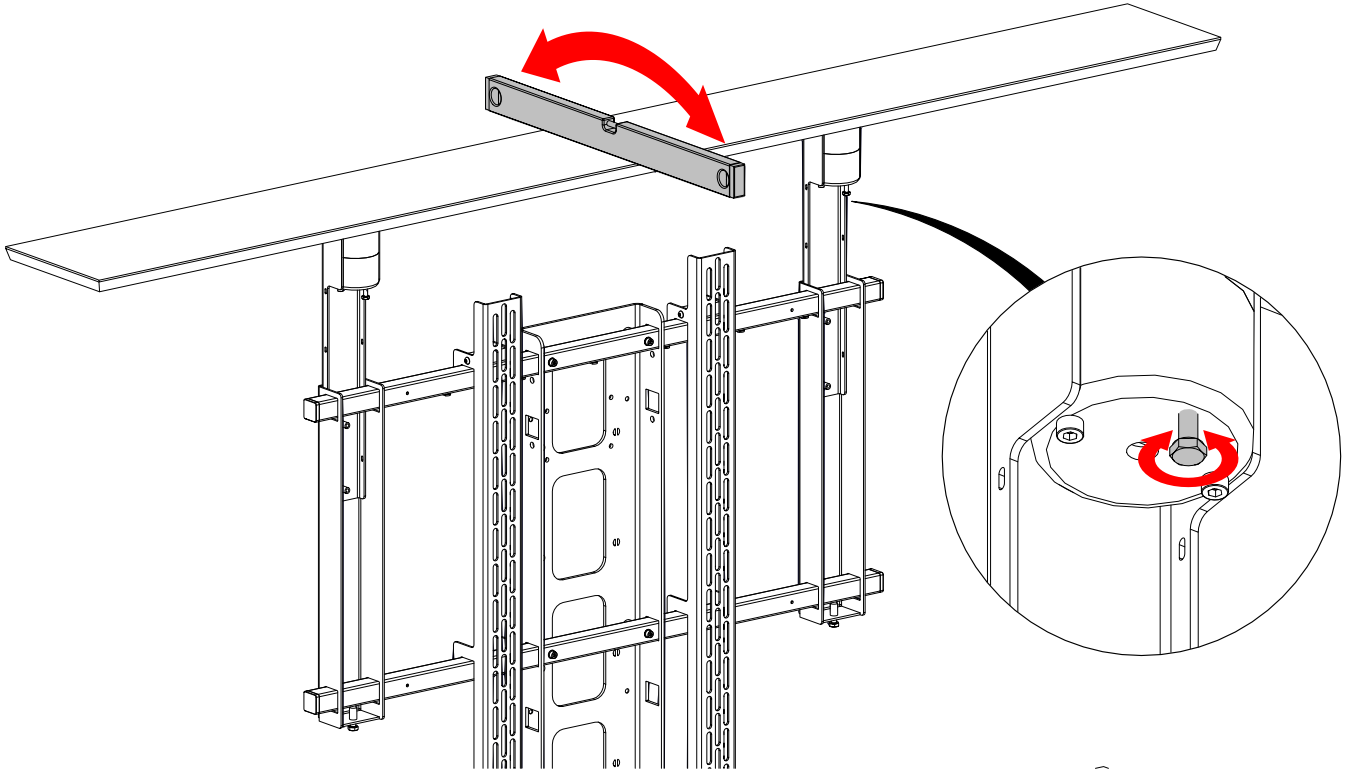


- 2 Loosen the bolts on the back of the shelf mount brackets and raise the Top Panel to 5mm above the screen. Re-tighten the bolts.

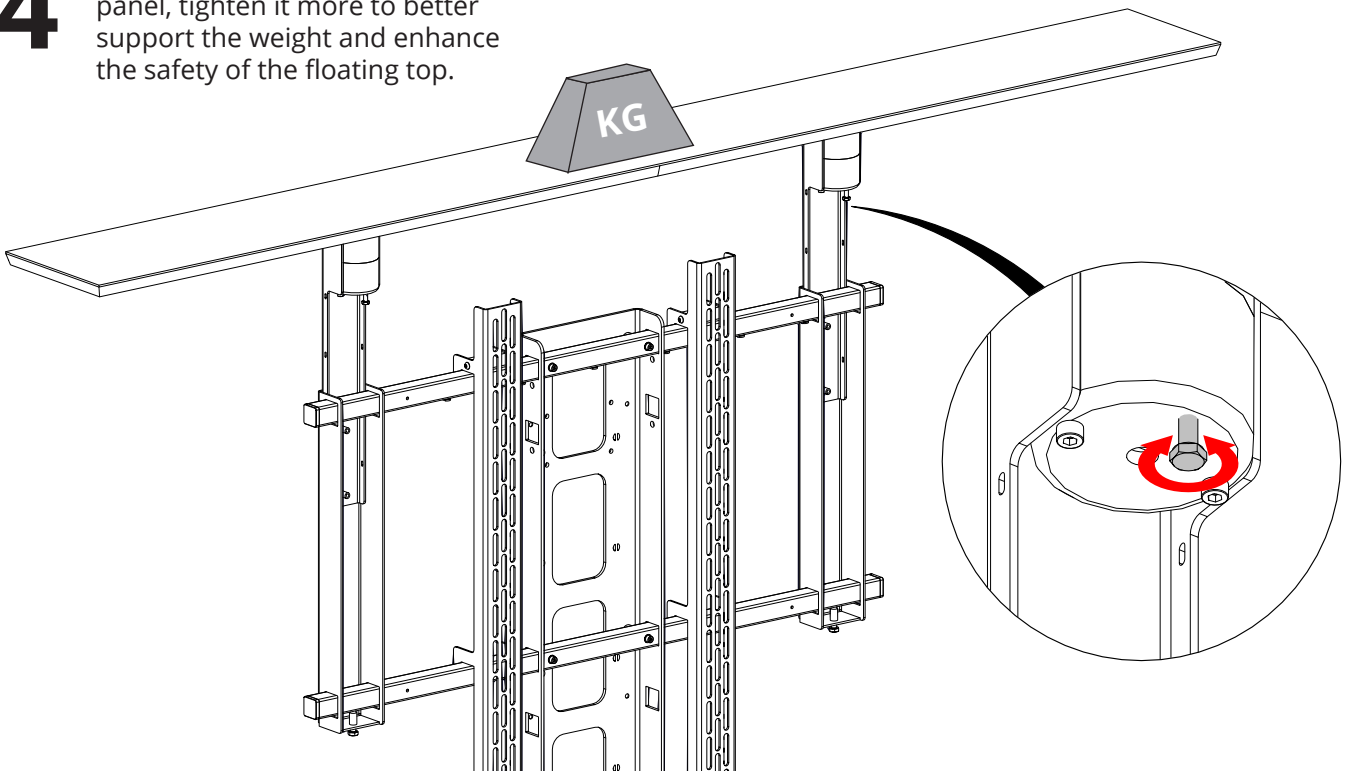


FP - TOP PANEL ADJUSTMENT

- 3** Loosen or tighten the bolt under the floating panel to adjust the level front to back.

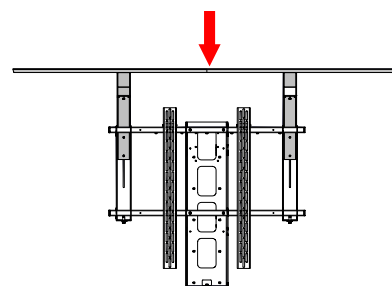
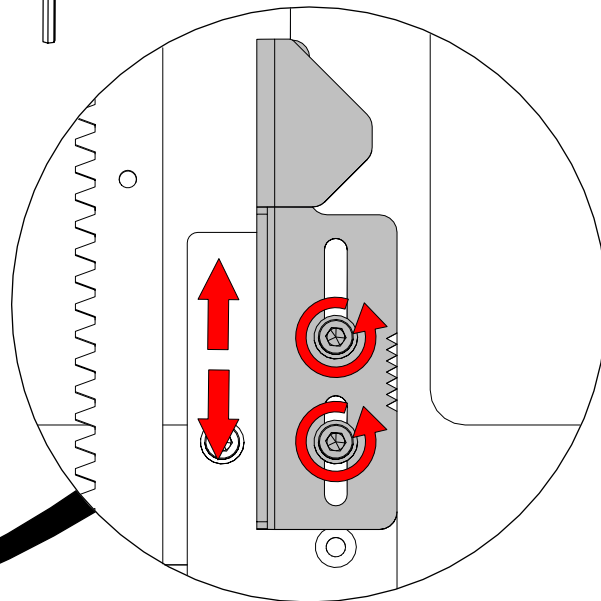
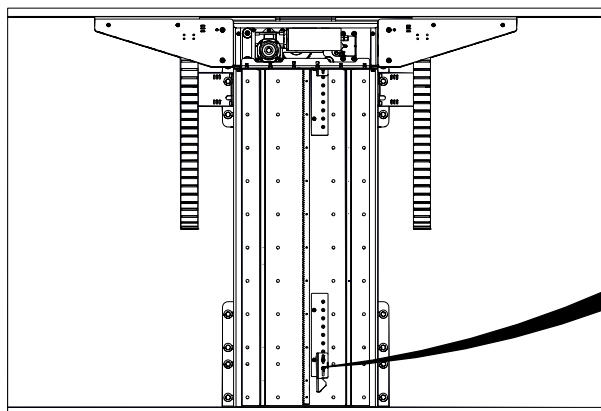


- 4** If you are using a heavy top panel, tighten it more to better support the weight and enhance the safety of the floating top.

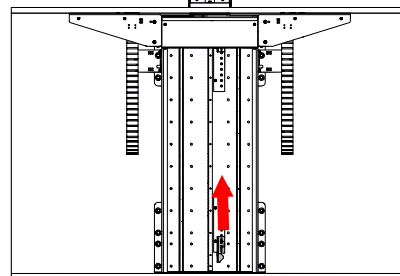


FP - TOP PANEL ADJUSTMENT

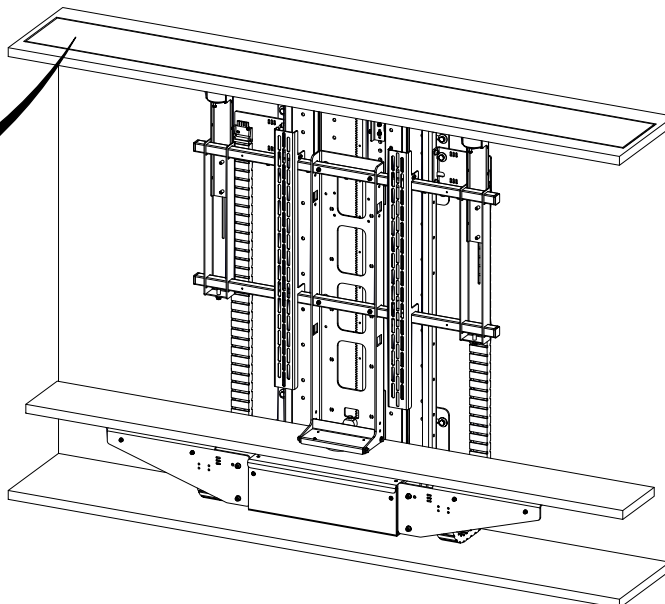
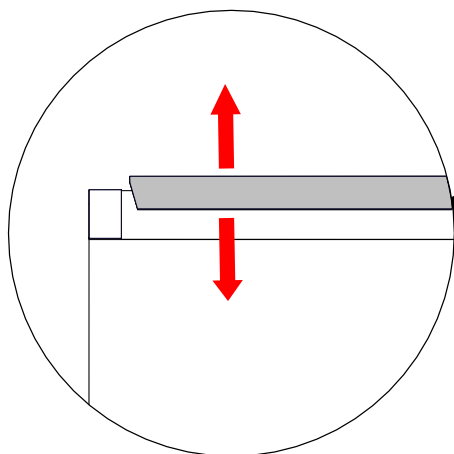
- 5** Loosen the bolts shown below to adjust the position of the bottom switch stop. Use the serrated edge to make small adjustments to change its position. The bottom switch stop is factory set to its lowest position (This equals the top panel at its highest position for the largest possible screen size)



- 6** As the screen size reduces and the top panel gets lower the bottom switch will need to be higher.



- 7** Adjust the position of the bottom switch stop until the top panel is in line with the top of the cabinet.

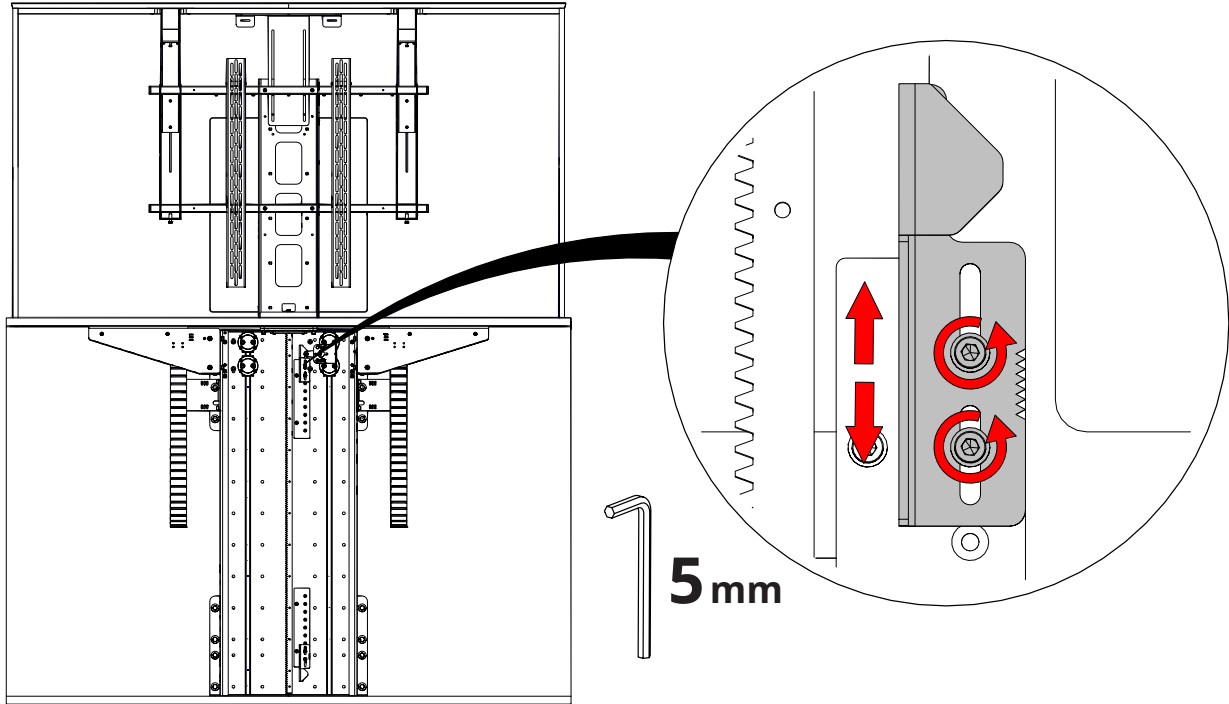


BE - BASE PANEL ADJUSTMENTS

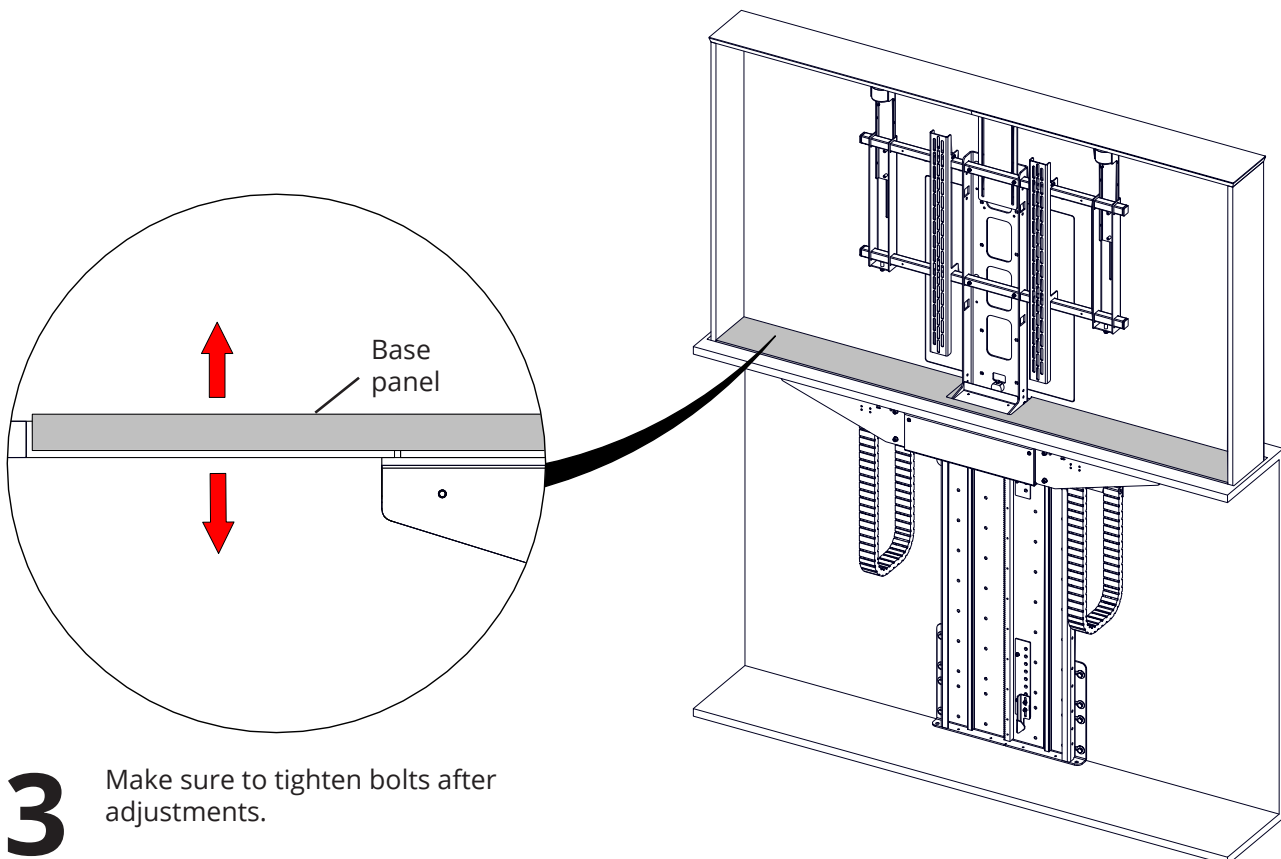


Only make small adjustments to top switch to avoid any collisions.

- 1 Loosen the bolts shown below to adjust the position of the top switch stop. Use the serrated edge to make small adjustments to change its position. The bottom switch stop is factory set to its lowest position.



- 2 Adjust the position of the top switch stop until the base panel is in-line with the top of the cabinet.



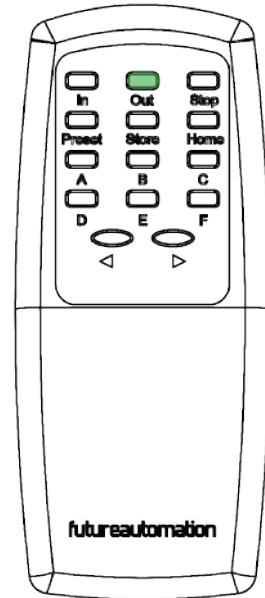
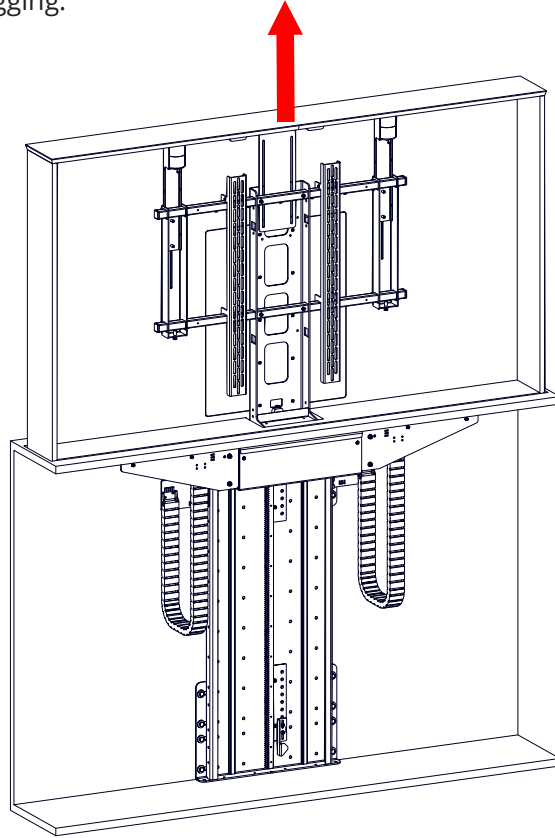
- 3 Make sure to tighten bolts after adjustments.

BE - TOP PANEL ADJUSTMENTS

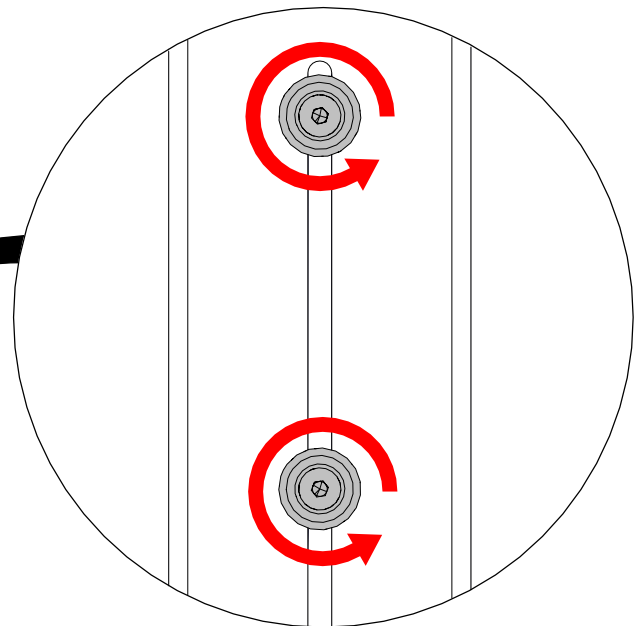
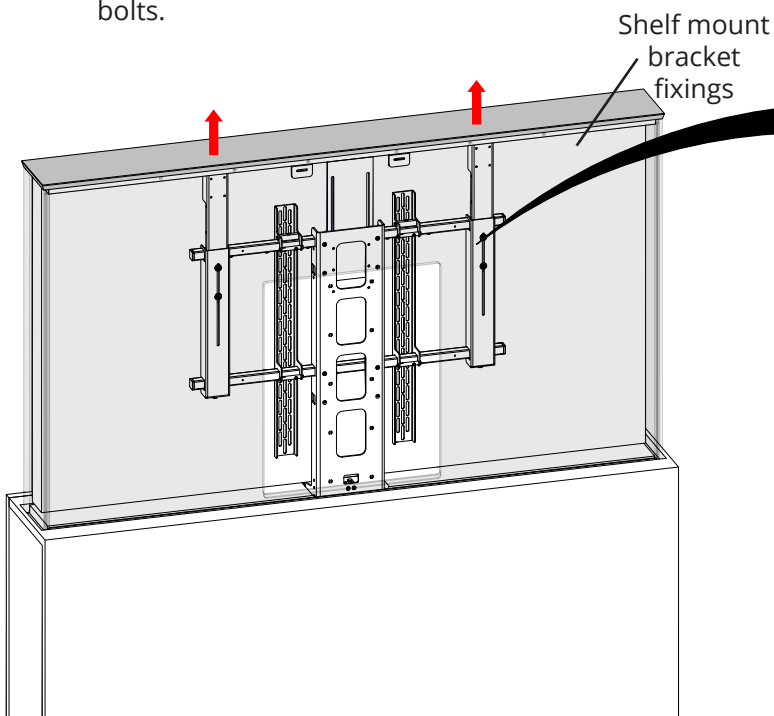


The top panel uprights have safety switches built in, as well as the floating top. As such its critical that these adjustments are made correctly.

- 1 Bring the mechanism out to its full extent. Check that the top and base panel move through the aperture without snagging.

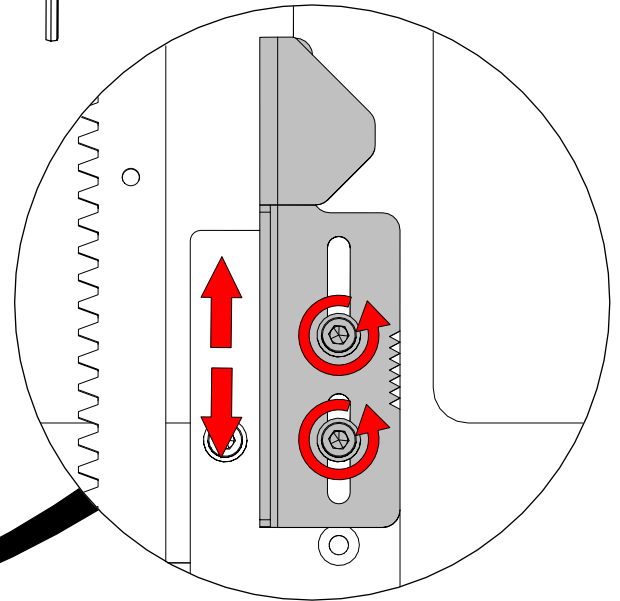
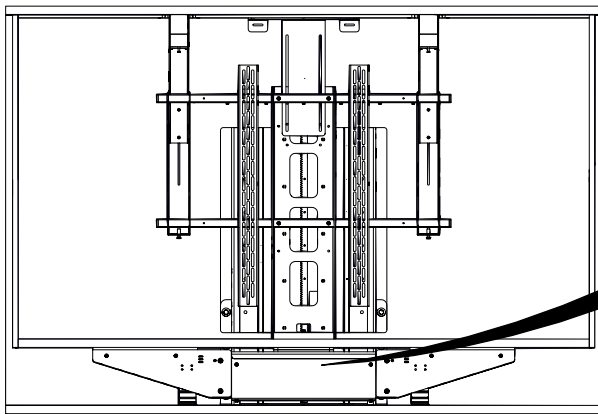


- 2 Loosen the bolts on the back of the shelf mount brackets and raise the Top Panel to 5mm above the screen. Re-tighten the bolts.

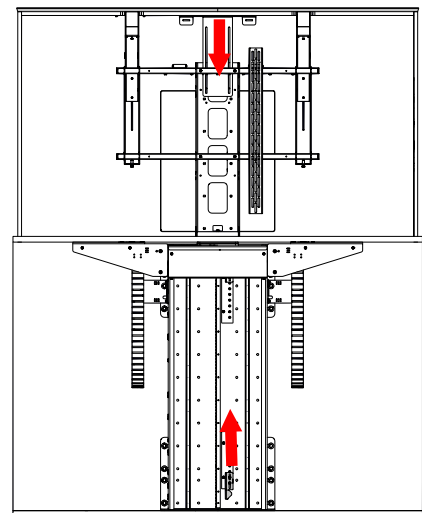


FP - TOP PANEL ADJUSTMENT

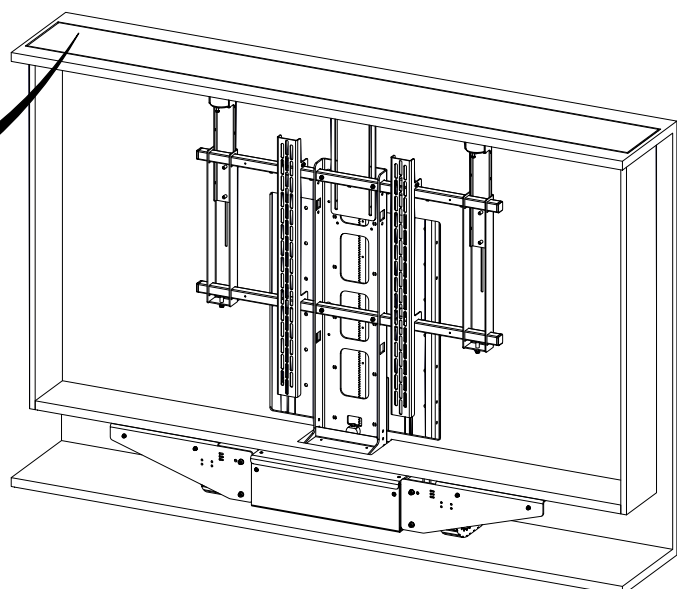
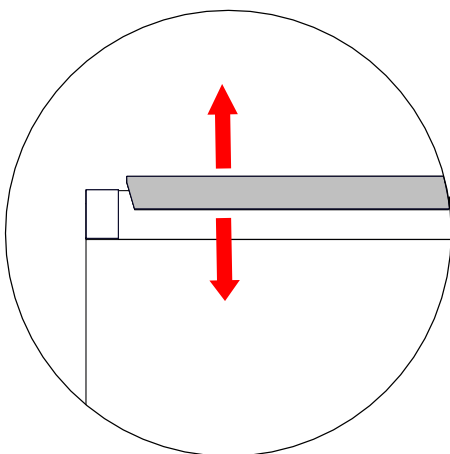
- 1** Loosen the bolts shown below to adjust the position of the bottom switch stop. Use the serrated edge to make small adjustments to change its position. The bottom switch stop is factory set to its lowest position (This equals the top panel at its highest position for the largest possible screen size)



- 2** As the screen size reduces and the top panel gets lower the bottom switch will need to be higher.



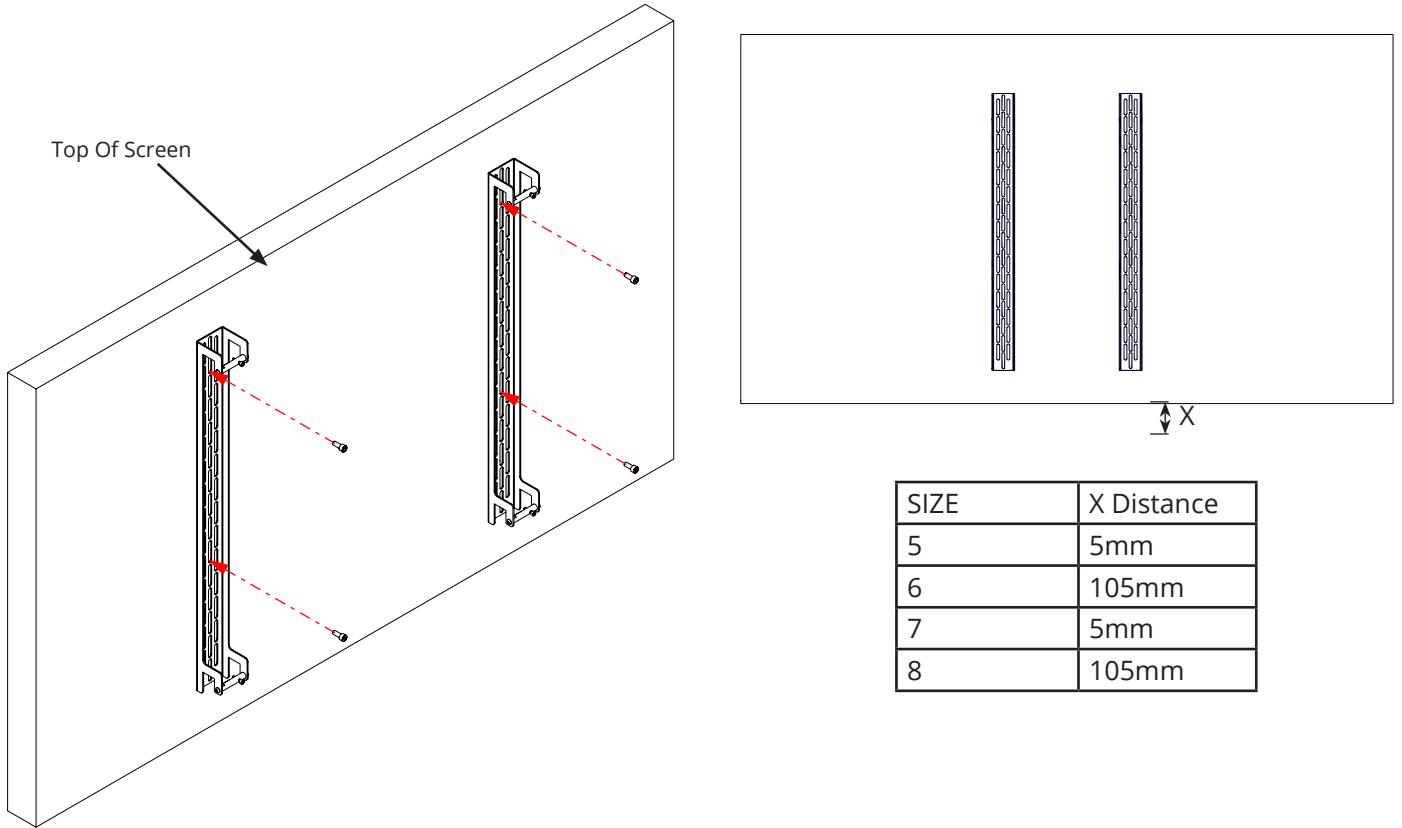
- 3** Adjust the position of the bottom switch stop until the top panel is in line with the top of the cabinet.



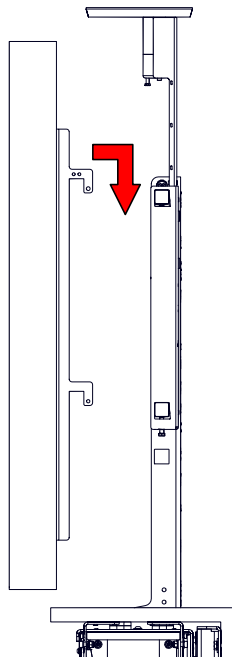
FITTING THE SCREEN

- 1 Place the screen face down on a padded surface and attach the Screen Mount Uprights to its four mount holes. Secure them with bolts and washers from the Fixings Pack. Use spacers if holes are recessed or clearance is needed.

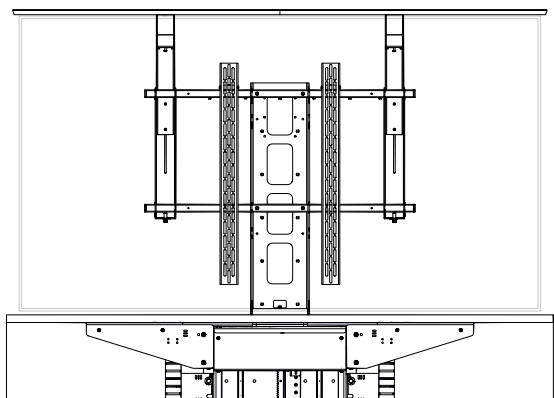
NOTE: Screens that do not have standard VESA bolt patterns may require an adapter plate.



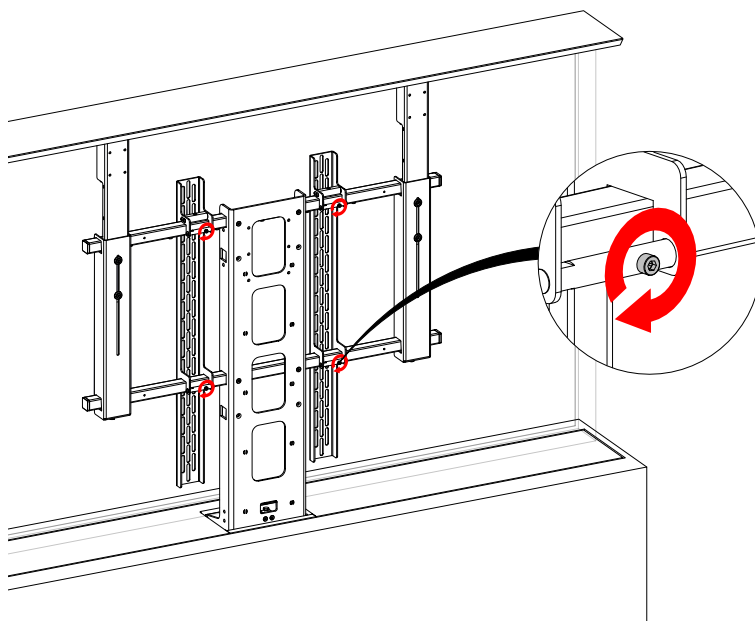
- 2 Lift the Screen and Screen Mount Uprights up and onto the Screen Mount Crossbars of the LSH Bracket.



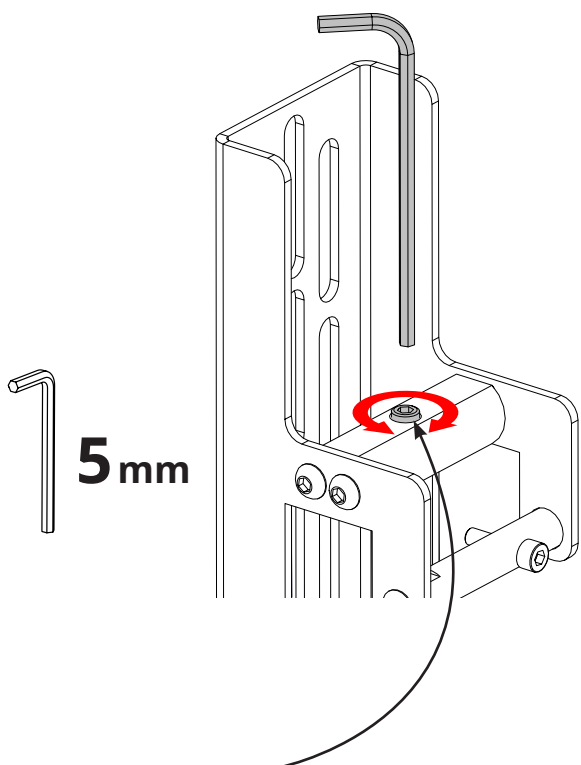
LEVELING THE SCREEN



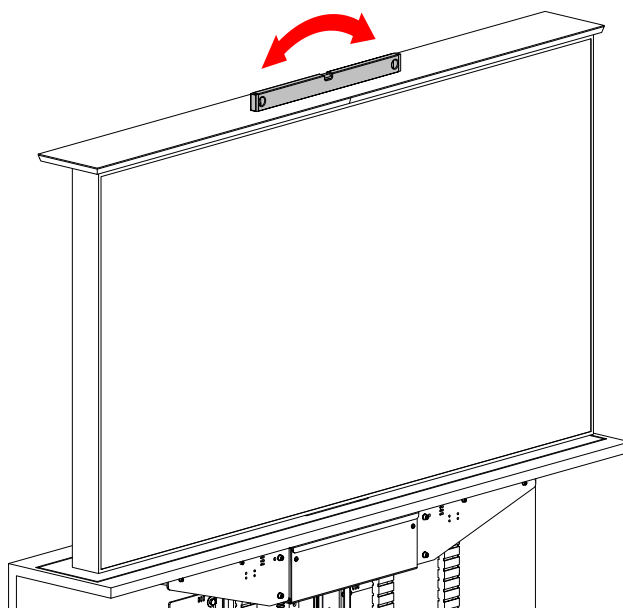
1 The screen uprights have a grub screw that can be adjusted to allow the screen to be levelled.



2 Loosen all four pinch bolts and adjust grub screws until the screen sits level.



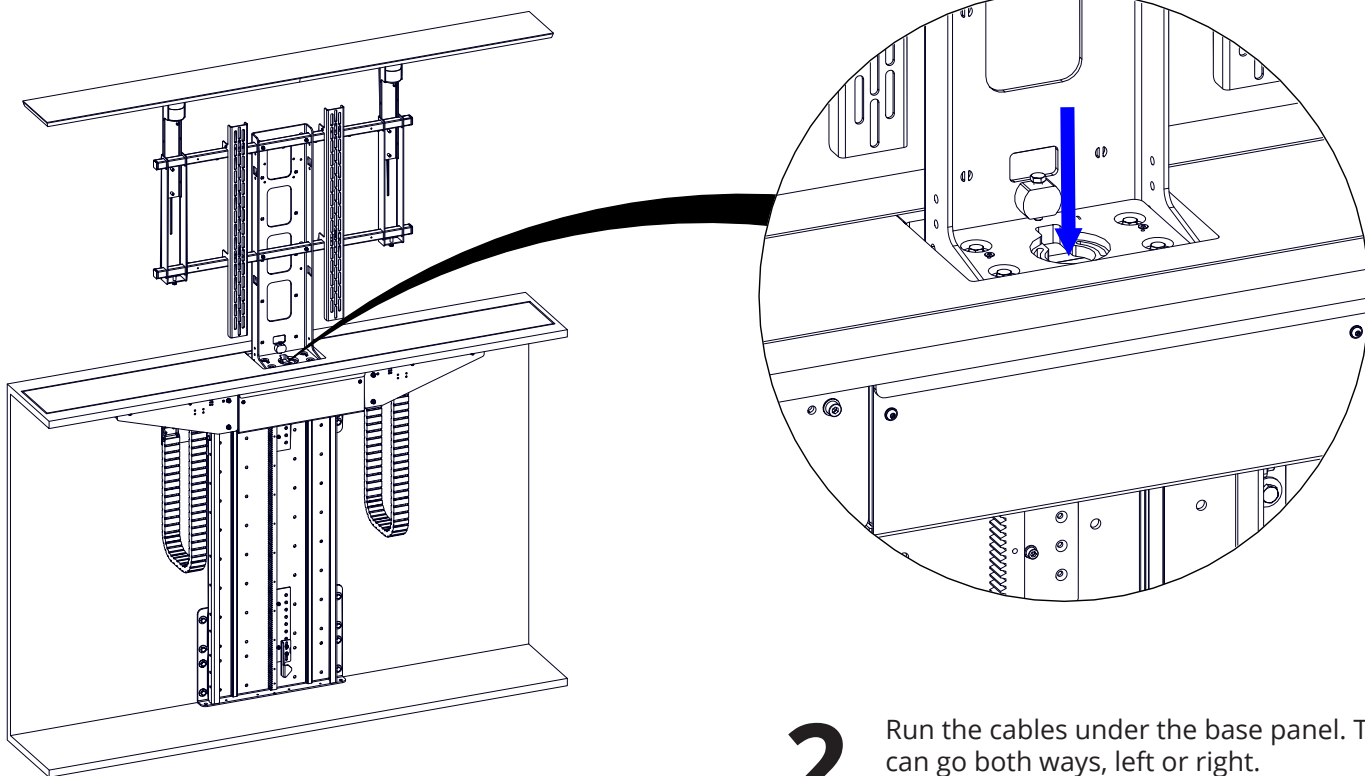
3 When the screen is level remember to re-tighten all four pinch bolts.



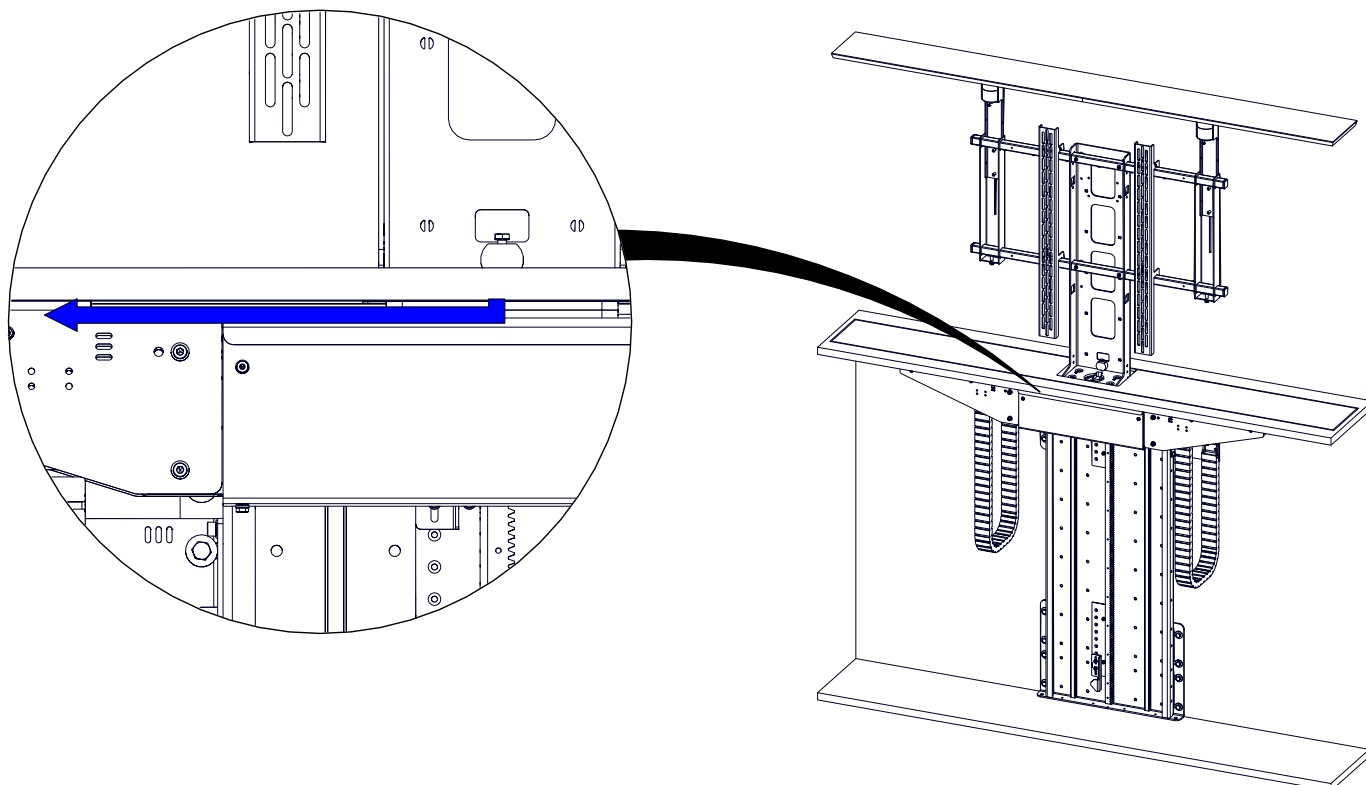
4 Lower Top Panel to 5mm from top of screen. Using 'IN' and 'STOP' on the IR remote, carefully lower the mechanism to check the Top Panel aligns correctly with the cabinet aperture.

CABLE MANAGEMENT

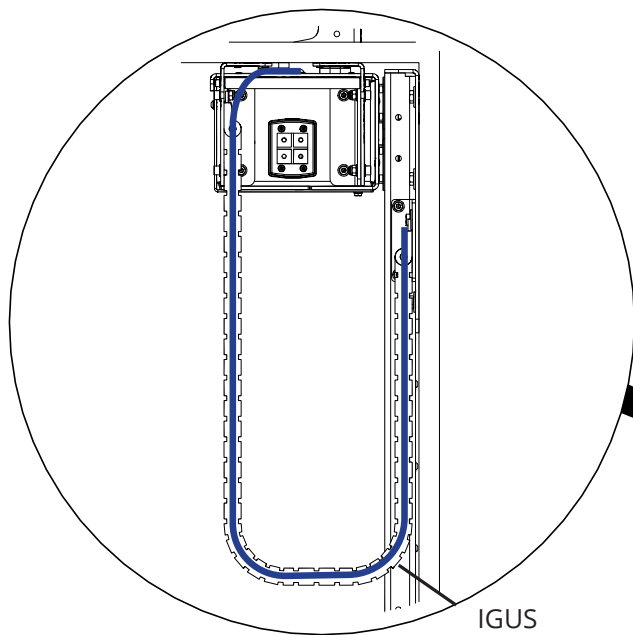
- 1** Remove the mount cover plate and run the cables down under the base panel.



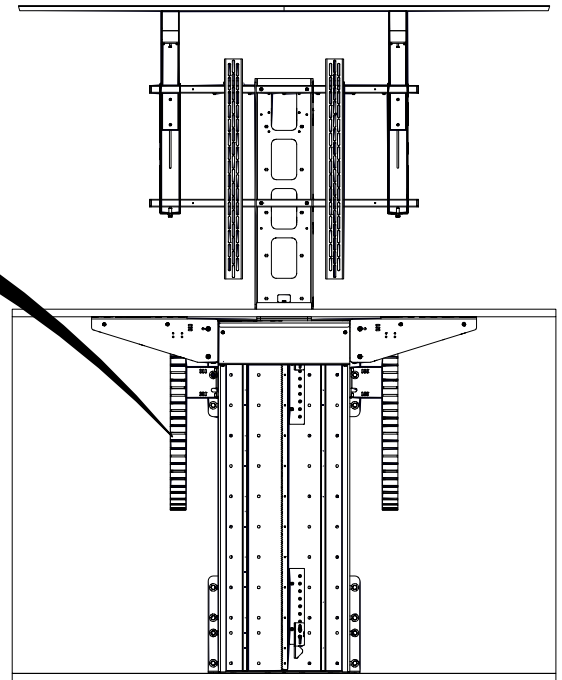
- 2** Run the cables under the base panel. This can go both ways, left or right.



CABLE MANAGEMENT



IGUS
Chain



3 Next, guide the cables through the IGUS Chain and then to where required. Reattach the mount cover plate.

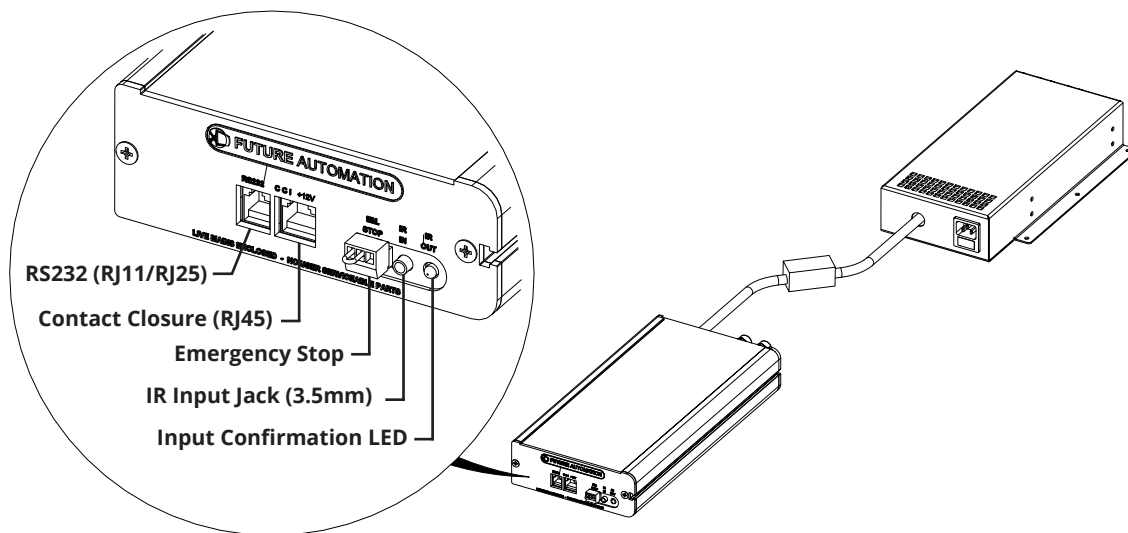
4 Ensure the cable loom is routed safely clear of the mechanism and does not obstruct or interfere with its movement. The control box must be stored in a safe, secure, and easily accessible location.

GENERAL CONTROL

This mechanism has multiple standard control methods, each of which requires a different input method to the control box. For ease, the input sockets on the control board are labelled below.

(Control box size and style may vary to image shown)

CONTROL BOX INPUTS



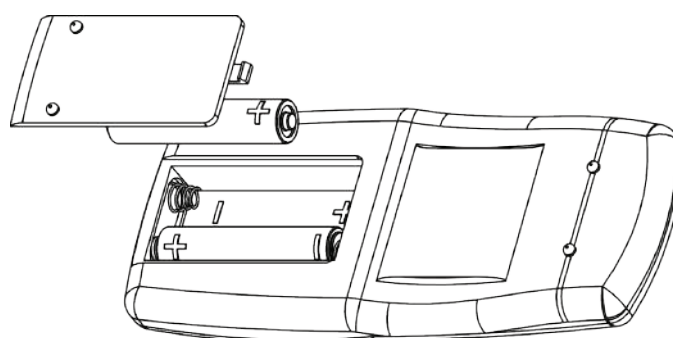
MECHANISM EMERGENCY STOP CONNECTOR

This mechanism features an Emergency Stop Connector, which **MUST** be plugged into the control box in the connector labelled above for the mechanism to operate. If this connector is not plugged in, the Input Confirmation LED will be permanently lit. As per the red plastic tag attached to the Emergency Stop Connector (and shown below), the small loop of wire in this connector is designed to be replaced by a third party safety device.



REPLACING MECHANISM BATTERIES

The standard Future Automation Infrared (IR) remote control requires x2 AAA batteries to operate. These are provided with the mechanism in the Accessories Pack. These batteries can be replaced as per the image below.



INFRARED (IR)

This mechanism can be controlled via the supplied 14 button Infrared (IR) Remote Control, paired with the supplied Infrared (IR) lead and sensor.

The mechanism's functions can be controlled by plugging the Infrared (IR) lead and sensor into the 3.5mm IR Input Jack shown on the General Mechanism Control page.

Confirmation of Infrared (IR) input will be shown by a single flash of the large green LED located on the end of the control box.

As Infrared (IR) control works via line of sight, the Infrared (IR) sensor must be directly viewable from the location the remote control is being used from.

Infrared (IR) Remote Control Button Layout

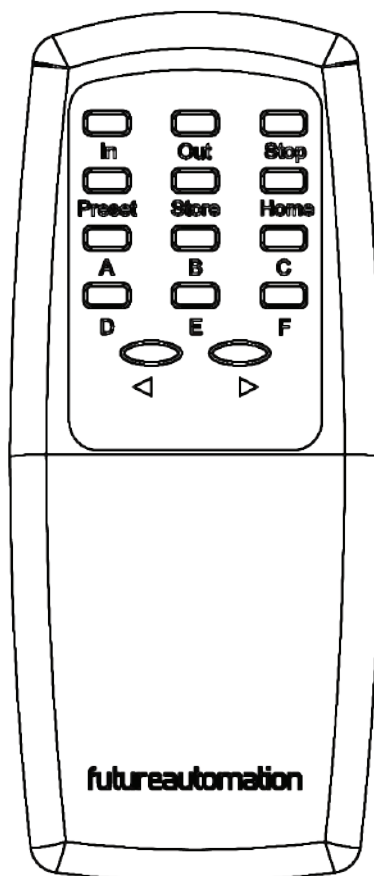
NOTE: Commands involving multiple keys requires each successive key to be pressed within 2 seconds of each other.

IN - The mechanism is brought fully in.

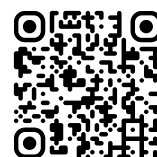
OUT - Raises the mechanism fully out.

STOP - Stops the operation of the mechanism.

HOME - Raises the mechanism fully out.



Future Automation recommends that this mechanism operates with hold to run (Dead Man Switch) for user safety. This can be activated if required. <https://fa.support/Files/PL-SAFETY-1>



IMPORTANT

Only buttons indicated above are functional with the product. Any other button press will STOP the mechanism.

RADIO FREQUENCY (RF)

If purchased with the Radio Frequency (RF) control option, this mechanism can be controlled via the supplied 4 button Radio Frequency (RF) Remote Control, paired with the in-built Radio Frequency (RF) sensor.

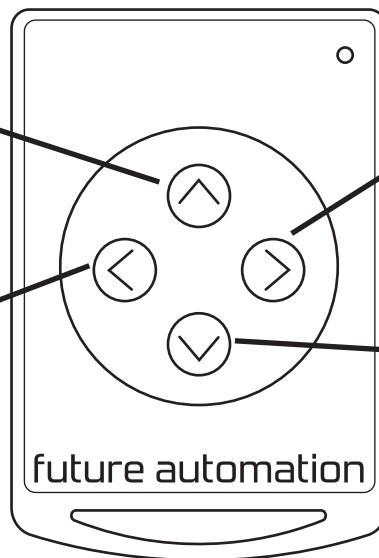
Confirmation of Radio Frequency (RF) input will be shown by a single flash of the large green LED located on the end of the control box.

Radio Frequency (RF) control does not require line of sight; however, signal performance can be affected by cabinet thickness, cabinet material or other electronic signals (i.e. strong Wi-Fi signals).

Radio Frequency (RF) Remote Control Button Layout

IN - Brings the mechanism into the cabinet.

STOP - Will stop the operation of the mechanism at ANY position.



STOP - Will stop the operation of the mechanism at ANY position.

OUT - Brings the mechanism out of the cabinet.

The Radio Frequency (RF) Remote Control can only be used to recall the above functions.

The mechanism limits and preset positions must be programmed using the supplied Infrared (IR) Remote Control.

IMPORTANT

Pressing any button while the mechanism is moving will STOP the mechanism.



Future Automation recommends that the mechanism runs on a Dead Man (hold-to-run) system for user safety. The installer is responsible for carrying out the necessary risk assessments and end user training before proceeding without Dead Man functionality.

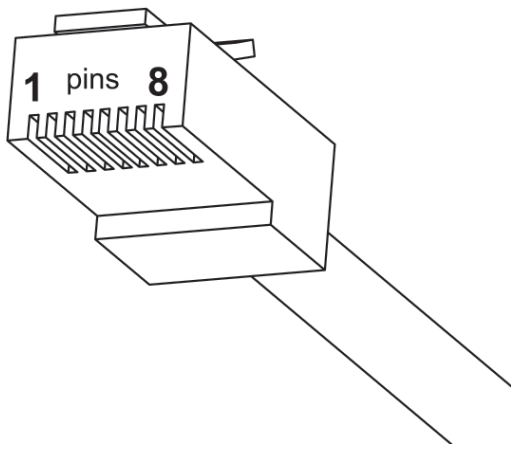
CONTACT CLOSURE

This Mechanism can be controlled via Contact Closure, utilising the 8 Pin RJ45 Connector attached to a length of CAT5 (Type 568A or 568B) cable.

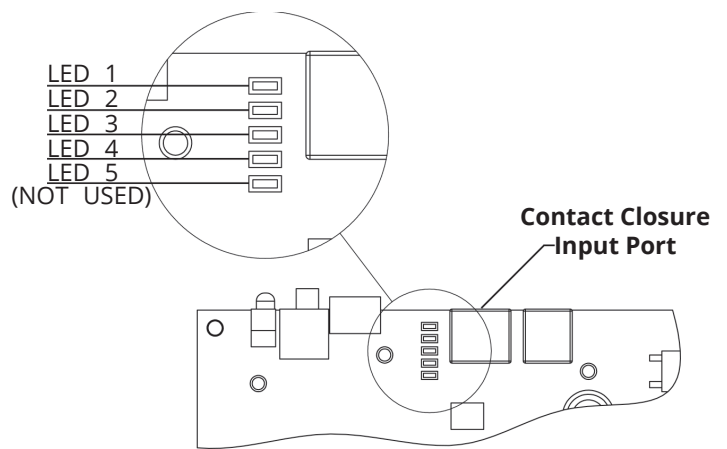
The mechanism's functions can be controlled by plugging this into the RJ45 port on the mechanism control board, then shorting pins 1-8 on this connector as shown in the Contact Closure Input Table below.

Confirmation of Contact Closure input will be shown by a single flash of the large green LED located on the end of the control box, as well as illumination of the corresponding Contact Closure LED on the printed circuit board as shown below.

RJ45 Pin Layout



Contact Closure LED Layout



CONTACT CLOSURE INPUT TABLE

PIN	DESCRIPTION	MOMENTARY ACTION	DEAD-MAN SWITCH ACTION
1	12V SUPPLY	12V SUPPLY - CURRENT LIMITED	12V SUPPLY - CURRENT LIMITED
2	12V LATCH	WHEN 12V ATTCHED, DEVICE WILL GO OUT. WHEN 12V REMOVED, DEVICE WILL GO IN.	
3	GROUND	GROUND	GROUND
4			
5	OUT-IN TOGGLE	SHORT TO GROUND (PIN 3), MAKES DEVICE GO TO OUT, REMOVE SHORT DEVICE WILL GO IN.	
6	DEVICE STOP	MOMENTARY SHORT TO GROUND (PIN 3), STOPS THE MECHANISM.	
7	DEVICE OUT / STOP	MOMENTARY SHORT TO GROUND (PIN 3), WILL MAKE DEVICE GO OUT.	MOTION OUT REQUIRES CONTINUOUS SHORT TO GROUND (PIN 3); RELEASING THE SHORT STOPS MOVEMENT IMMEDIATELY.
8	DEVICE IN / STOP	MOMENTARY SHORT TO GROUND (PIN 3), WILL MAKE DEVICE GO IN.	MOTION IN REQUIRES CONTINUOUS SHORT TO GROUND (PIN 3); RELEASING THE SHORT STOPS MOVEMENT IMMEDIATELY.

WIRE/CABLE TYPE		LED INDICATOR
568A	568B	
W G	W O	
G	O	
W O	W G	
B	B	
W B	W B	LED 4
O	G	LED 3
W BR	W BR	LED 2
BR	BR	LED 1



Future Automation recommends that the mechanism runs on a Dead Man (hold-to-run) system for user safety. The installer is responsible for carrying out the necessary risk assessments and end user training before proceeding without Dead Man functionality.

RS232 CONTROL

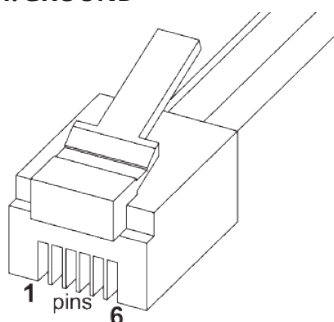
This Mechanism can be controlled via RS232, utilising a 6 Pin RJ11/RJ25 connector OR 9 Pin Serial connector attached to a length of 6 core cable.

The mechanism's functions can be controlled by plugging this into the RJ11/RJ25 port on the mechanism control box, then inputting the RS232 commands shown in the RS232 Input Table below.

Confirmation of Contact Closure input will be shown by a single flash of the large green LED located on the end of the control box.

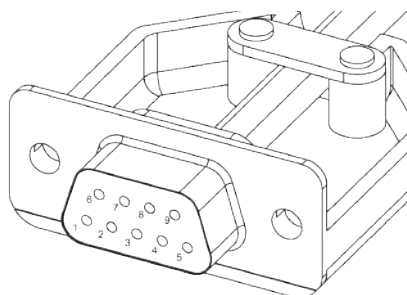
RJ11/RJ25 PIN LAYOUT

PIN 1: TX
PIN 6: RX
PIN 3 & 4: GROUND



SERIAL PIN LAYOUT

PIN 2: RX
PIN 3: TX
PIN 5: GROUND



RS232 PROGRAMMING DETAILS

Baud Rate: 9600
 Stop Bit: 1
 Parity: None
 Databits: 8

RJ11/RJ25	Func.	9 PIN Serial	Colour
PIN 1	TX-RX	PIN 2	Blue
PIN 3	GROUND	PIN 5	Green
PIN 4	GROUND	PIN 5	Red
PIN 6	RX-TX	PIN 3	White

RS232 INPUT TABLE

IMPORTANT - Ensure all protocols are entered exactly as written below, including Carriage Return (ENTER / ASCII 13)

Protocol	Action
fa_in Carriage Return (Enter / ASCII 13)	Device IN
fa_out Carriage Return (Enter / ASCII 13)	Device OUT no movement to swivel
fa_stop Carriage Return (Enter / ASCII 13)	Device STOP (At any position)
fa_home Carriage Return (Enter / ASCII 13)	Device UP and swivel parallel
fa_left Carriage Return (Enter / ASCII 13)	Device UP and rotation to LEFT limit
fa_right Carriage Return (Enter / ASCII 13)	Device UP and rotation to RIGHT limit
fa_a Carriage Return (Enter / ASCII 13)	Device OUT and preset position A
fa_b Carriage Return (Enter / ASCII 13)	Device OUT and preset position B
fa_c Carriage Return (Enter / ASCII 13)	Device OUT and preset position C
fa_preset Carriage Return (Enter / ASCII 13)	Device UP and preset position "PRESET"



Future Automation recommends that the mechanism runs on a Dead Man (hold-to-run) system for user safety. The installer is responsible for carrying out the necessary risk assessments and end user training before proceeding without Dead Man functionality.

INTEGRATION CONSIDERATIONS



High Risk - Crushing Hazard

Crush hazard between the Top Panel and the cabinet top when the mechanism is closing.



Mitigation

The Top Panel is constructed to allow vertical movement in the presence of an obstruction, causing the mechanism to return to open again.



High Risk - Crushing Hazard

Crush hazard at the cabinet aperture when mechanism is opening.



Mitigation

A Tape Switch can be installed underneath the cabinet top to detect any obstructions. Scan the QR code and navigate to the Cabinet Guidelines document for further details.



High Risk - Crushing Hazard

Crush hazard below the mechanism when the mechanism is closing.



Mitigation

Ensure the area below the mechanism is kept clear at all times when the mechanism is being used. If installing or maintaining the mechanism, do so with the mechanism turned off.

GENERAL MITIGATIONS:

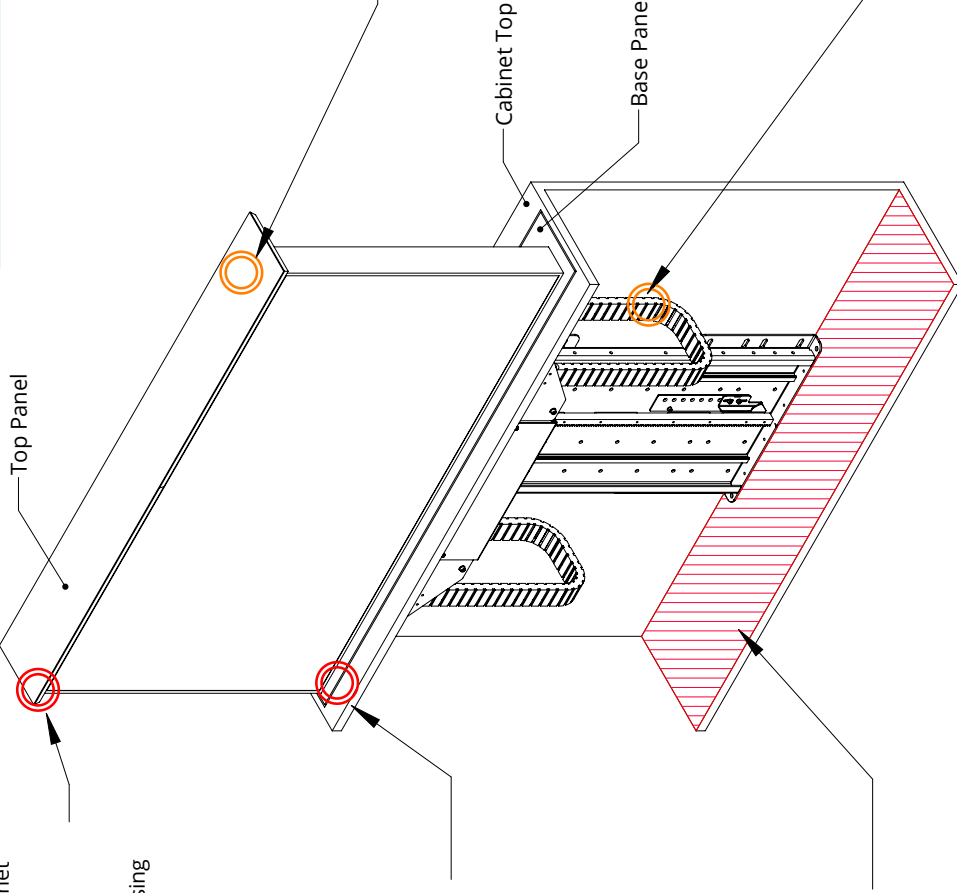
- Implement hold to run (Dead Man switch operation).
- Control methods should be located within direct line of sight of the mechanism.
- Implement password or key switch protected operation.



For more information on **Cabinet integration** follow link or scan the QR below <https://fa.support/Files/CabinetGuidance>



For more information on **Tape Switch integration** follow link or scan the QR below <https://fa.support/Files/TapeSwitch>



Low Risk - Falling Objects Hazard Falling object hazard if objects are left on top of the Top Panel.



Mitigation See general mitigations.



Low Risk - Crushing Hazard Cables could be snagged if not properly managed through and around the mechanism, causing damage to the mechanism and electronics.



Mitigation Ensure sufficient cable slack is allowed around movement joints to prevent stretching and/or damage to the cables and/or mechanism.

INTEGRATION CONSIDERATIONS

GENERAL MITIGATIONS:

- Implement hold to run (Dead Man switch operation).
- Control methods should be located within direct line of sight of the mechanism.
- Implement password or key switch protected operation.



High Risk - Crushing Hazard

Crush hazard between the Top Panel and the cabinet top when the mechanism is closing.



Mitigation

The Top Panel is constructed to allow vertical movement in the presence of an obstruction, causing the mechanism to return to open again.



High Risk - Crushing Hazard

Crush hazard at the cabinet aperture when mechanism is opening.



Mitigation

A Tape Switch can be installed underneath the cabinet top to detect any obstructions. Scan the QR code and navigate to the Cabinet Guidelines document for further details.



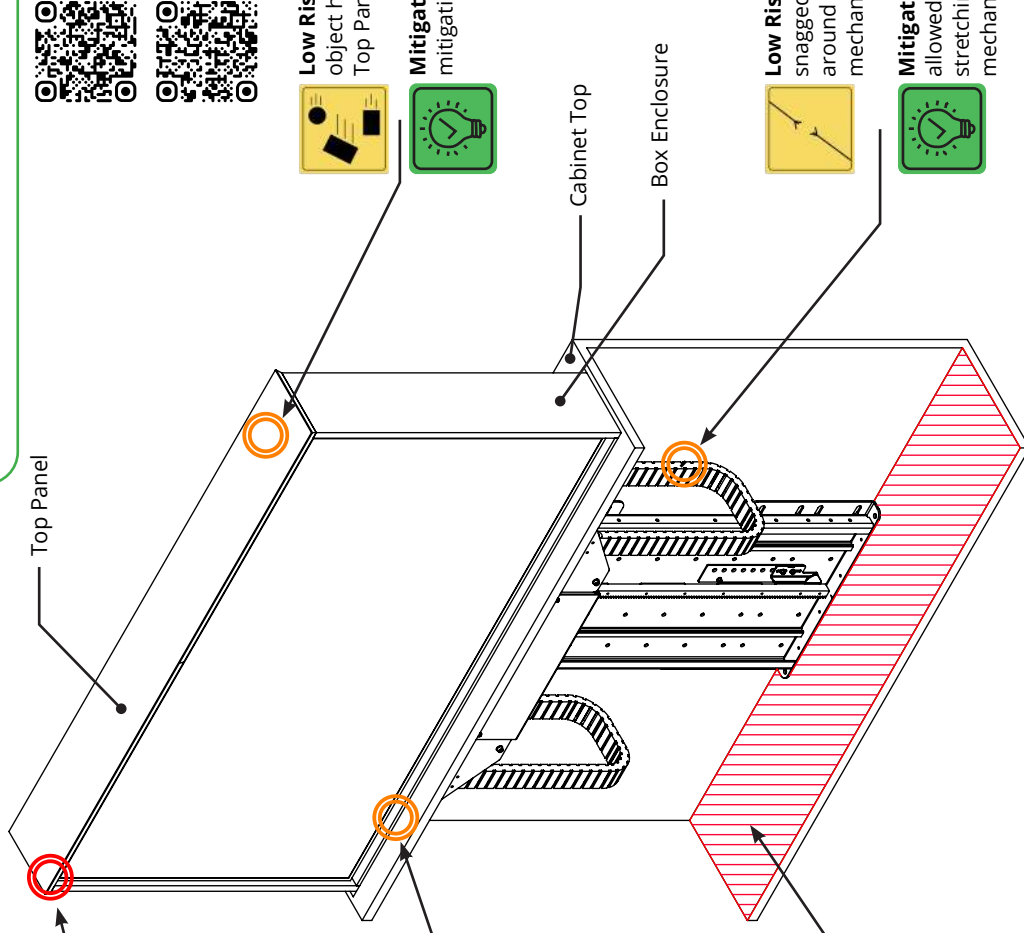
High Risk - Crushing Hazard

Crush hazard below the mechanism when the mechanism is closing.



Mitigation

Ensure the area below the mechanism is kept clear at all times when the mechanism is being used. If installing or maintaining the mechanism, do so with the mechanism turned off.



For more information on **Cabinet integration** follow link or scan the QR below <https://fa.support/Files/CabinetGuidance>



For more information on **Tape Switch integration** follow link or scan the QR below <https://fa.support/Files/TapeSwitch>



Low Risk - Falling Objects Hazard Falling object hazard if objects are left on top of the Top Panel.



Mitigation See general mitigations.



Low Risk - Crushing Hazard Cables could be snagged if not properly managed through and around the mechanism, causing damage to the mechanism and electronics.



Mitigation Ensure sufficient cable slack is allowed around movement joints to prevent stretching and/or damage to the cables and/or mechanism.



EUROPEAN OFFICE

Address:
Unit 6-8
Brunel Road
Bedford
Bedfordshire
MK41 9TG

Phone: +44 (0) 1438 833577
Email: info@futureautomation.co.uk

Office Hours:
Mon - Fri 8:00 to 17:30 GMT
Saturday & Sunday - Closed

NORTH AMERICAN OFFICE

Address:
Enterprise Park
127 Venture Drive
Dover
NH
03820

Phone: +1 (603) 742 9181
Email: info@futureautomation.net

Office Hours:
Mon - Fri 7:00 to 17:00 EST
Saturday & Sunday - Closed

