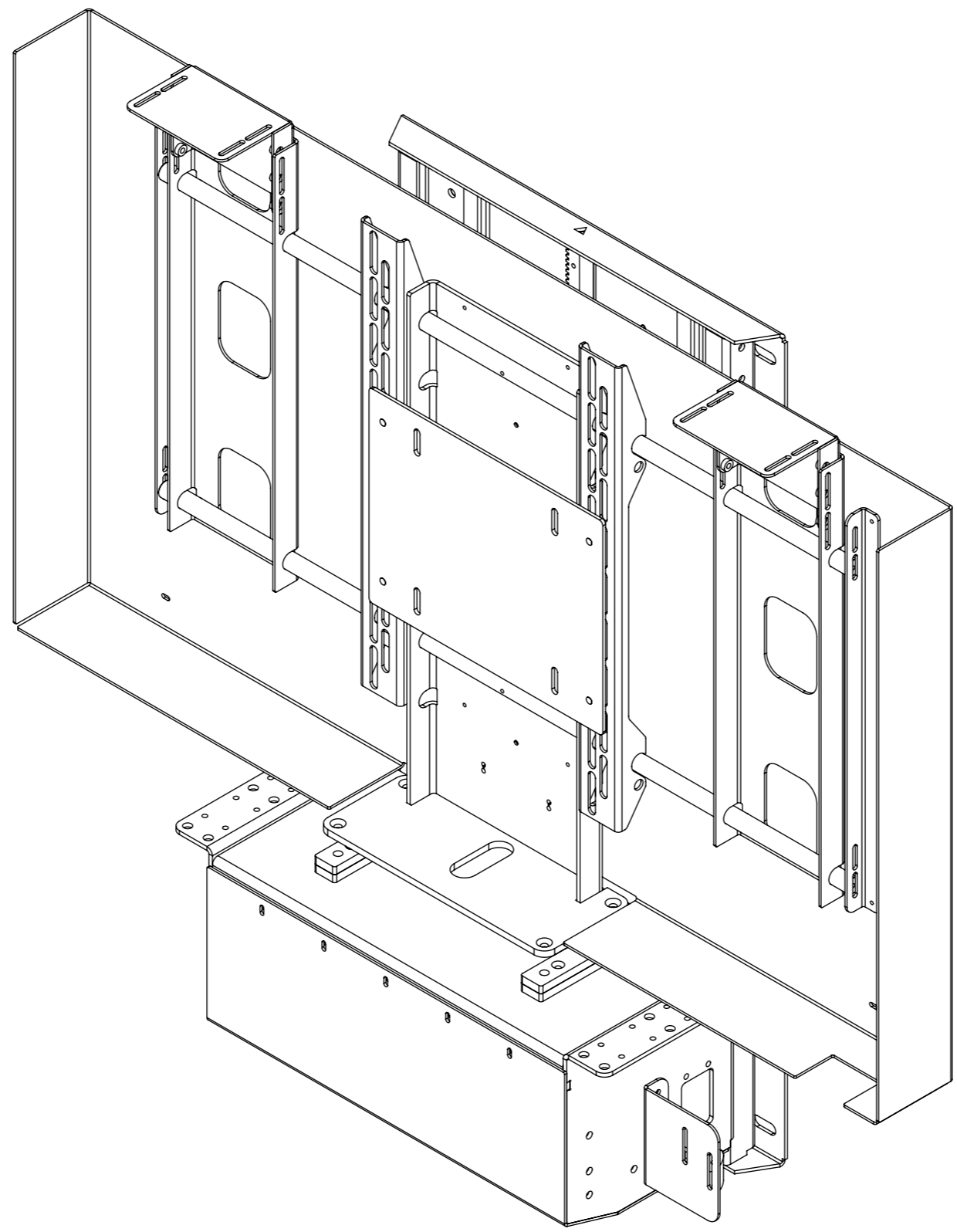


LSH-MO - H1010

MARINE OUTDOOR LIFT SYSTEM HEAVY



future automation



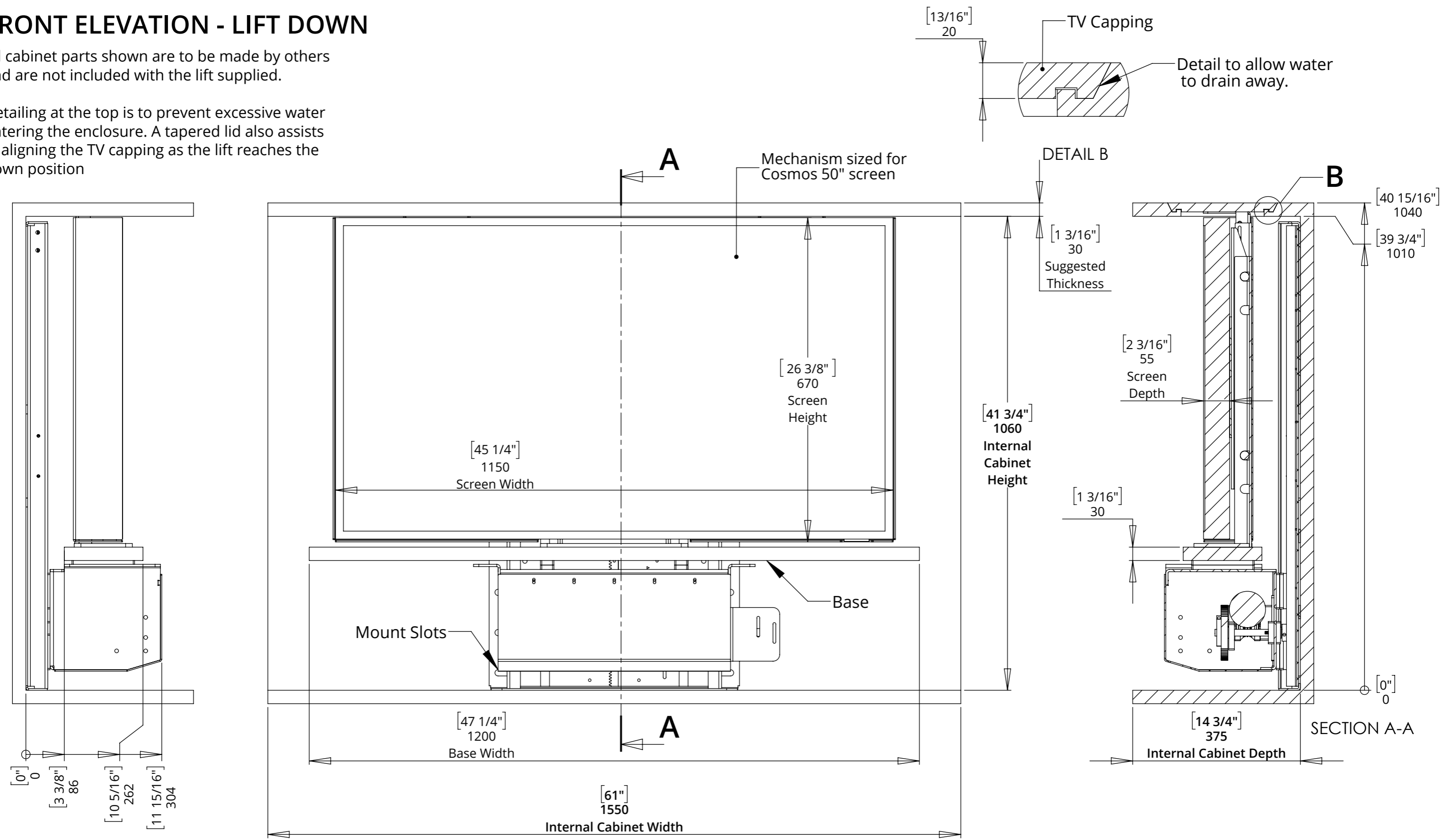
LSH-MO - H1010

MARINE OUTDOOR LIFT SYSTEM HEAVY

FRONT ELEVATION - LIFT DOWN

All cabinet parts shown are to be made by others and are not included with the lift supplied.

Detailing at the top is to prevent excessive water entering the enclosure. A tapered lid also assists in aligning the TV capping as the lift reaches the down position



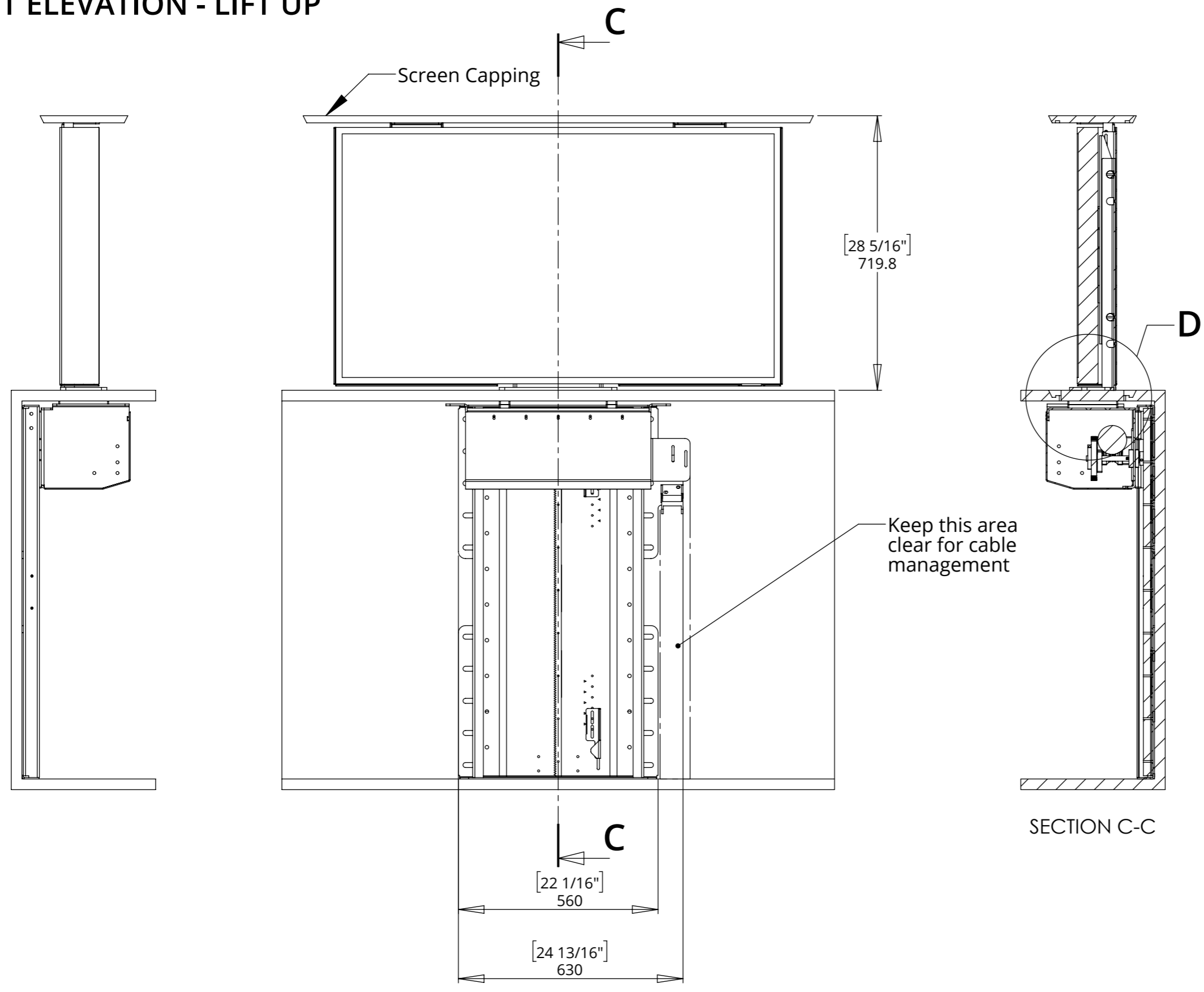
LSH-MO - H1010

MARINE OUTDOOR LIFT SYSTEM HEAVY

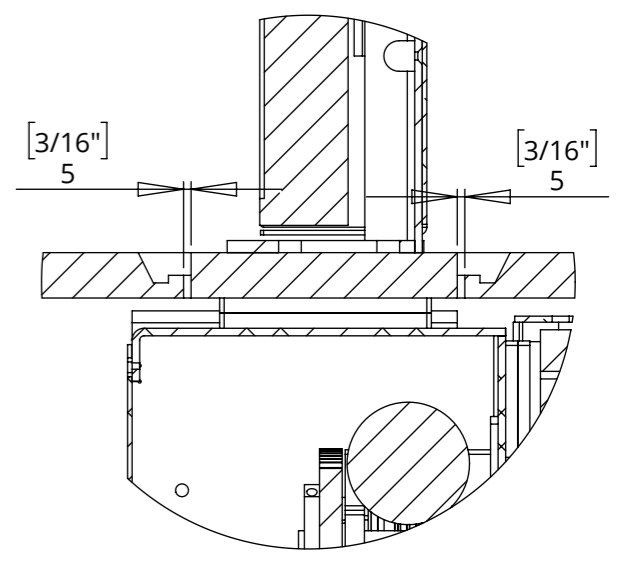


future automation

FRONT ELEVATION - LIFT UP



A 5mm Gap is recommended between the Base and the cabinet opening.



DETAIL D