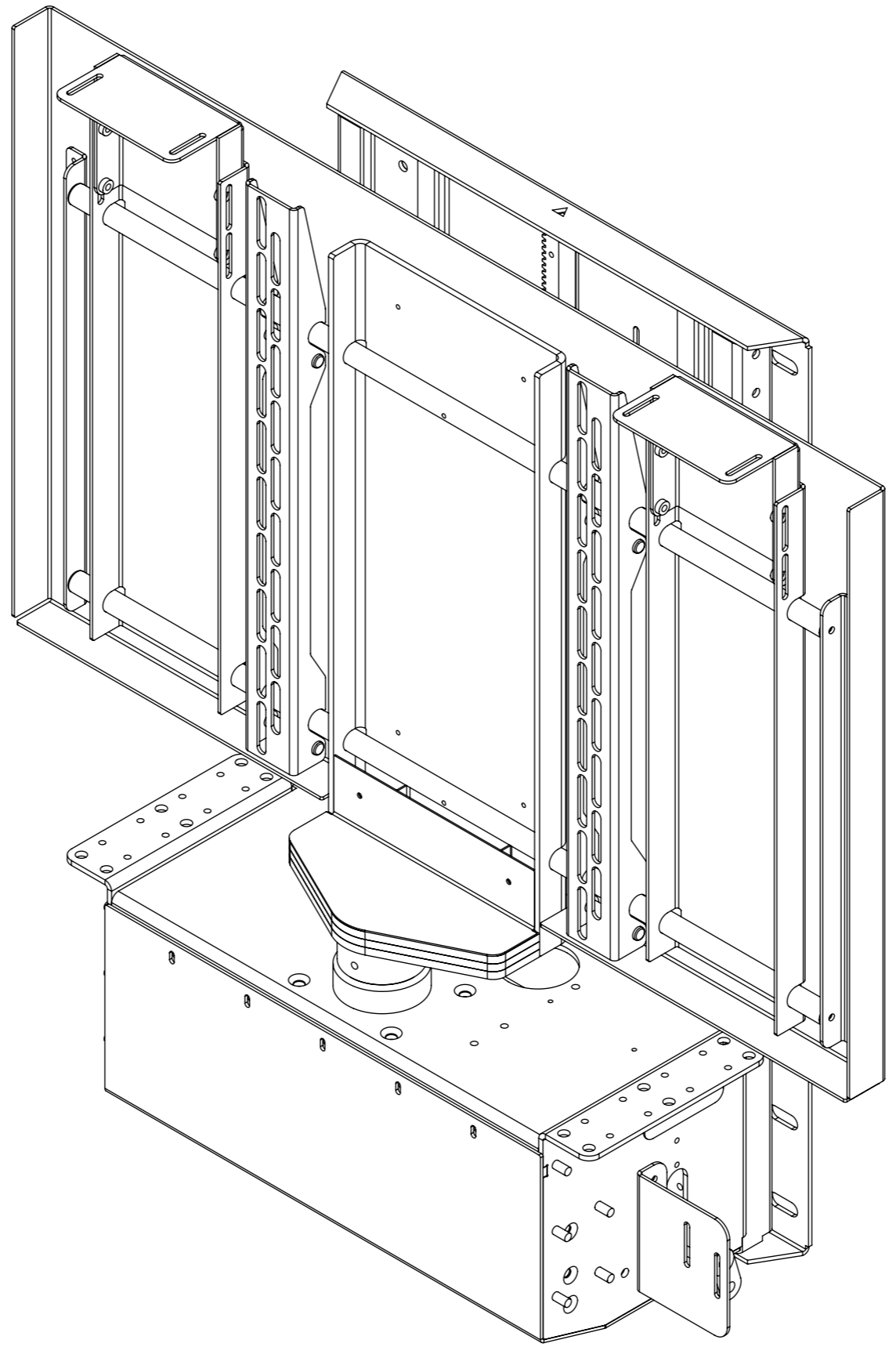


LSH-S-MO - PV42



future automation

MARINE OUTDOOR LIFT SYSTEM HEAVY WITH SWIVEL



LSH-S-MO - PV42



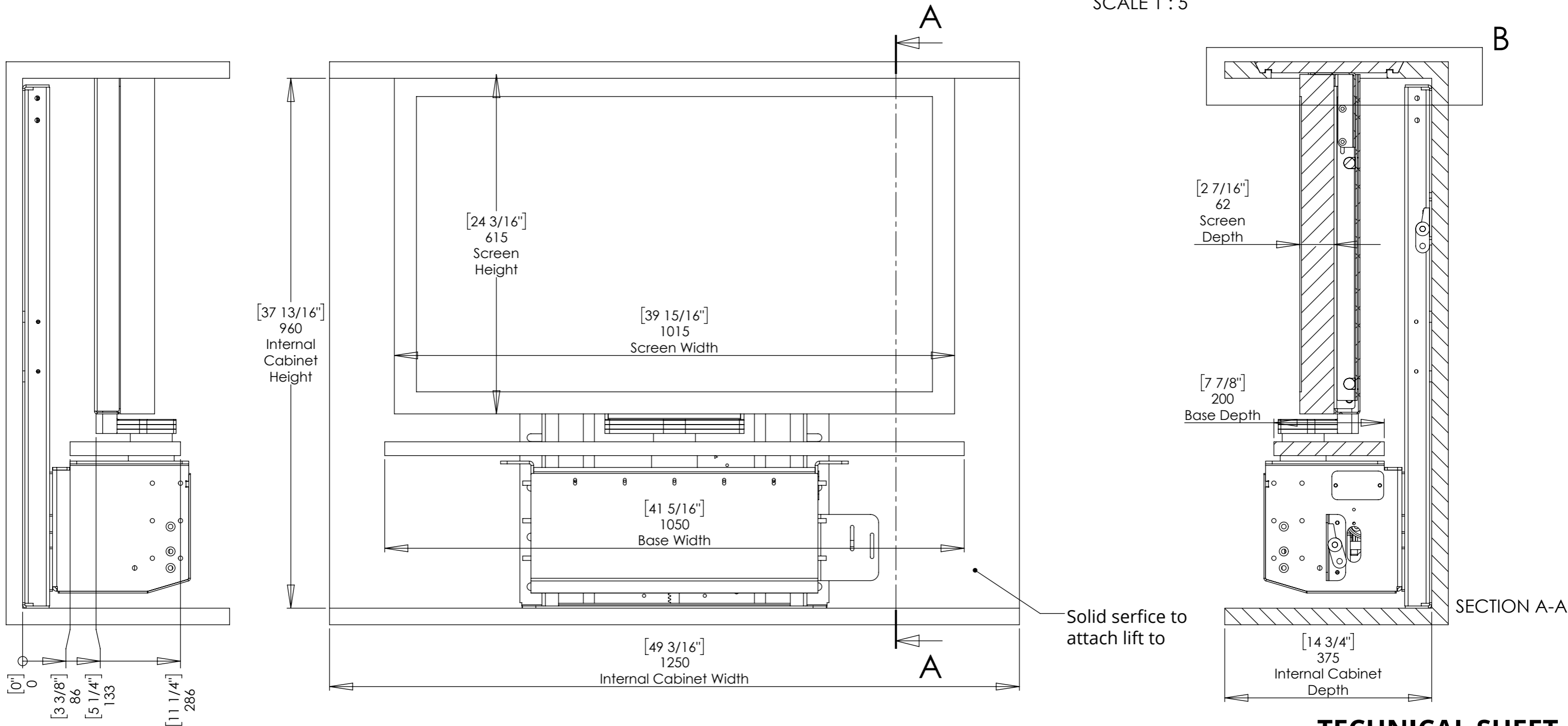
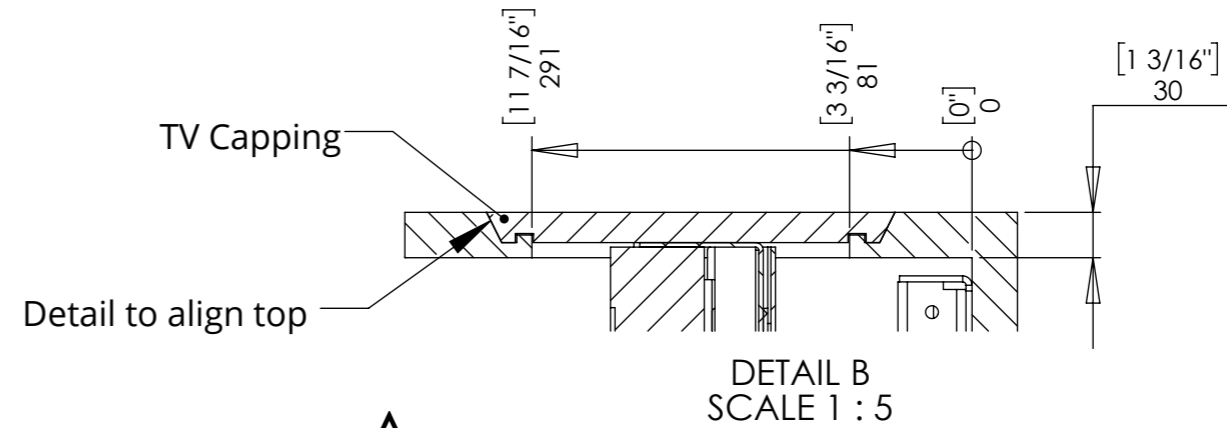
future automation

MARINE OUTDOOR LIFT SYSTEM HEAVY WITH SWIVEL

GENERAL DIMENSIONS - LIFT DOWN

Dimensions shown are for a custom LSH-S-MO for the ProofVision 42"

Important:
Good front access is required to set up this mechanism



LSH-S-MO - PV42

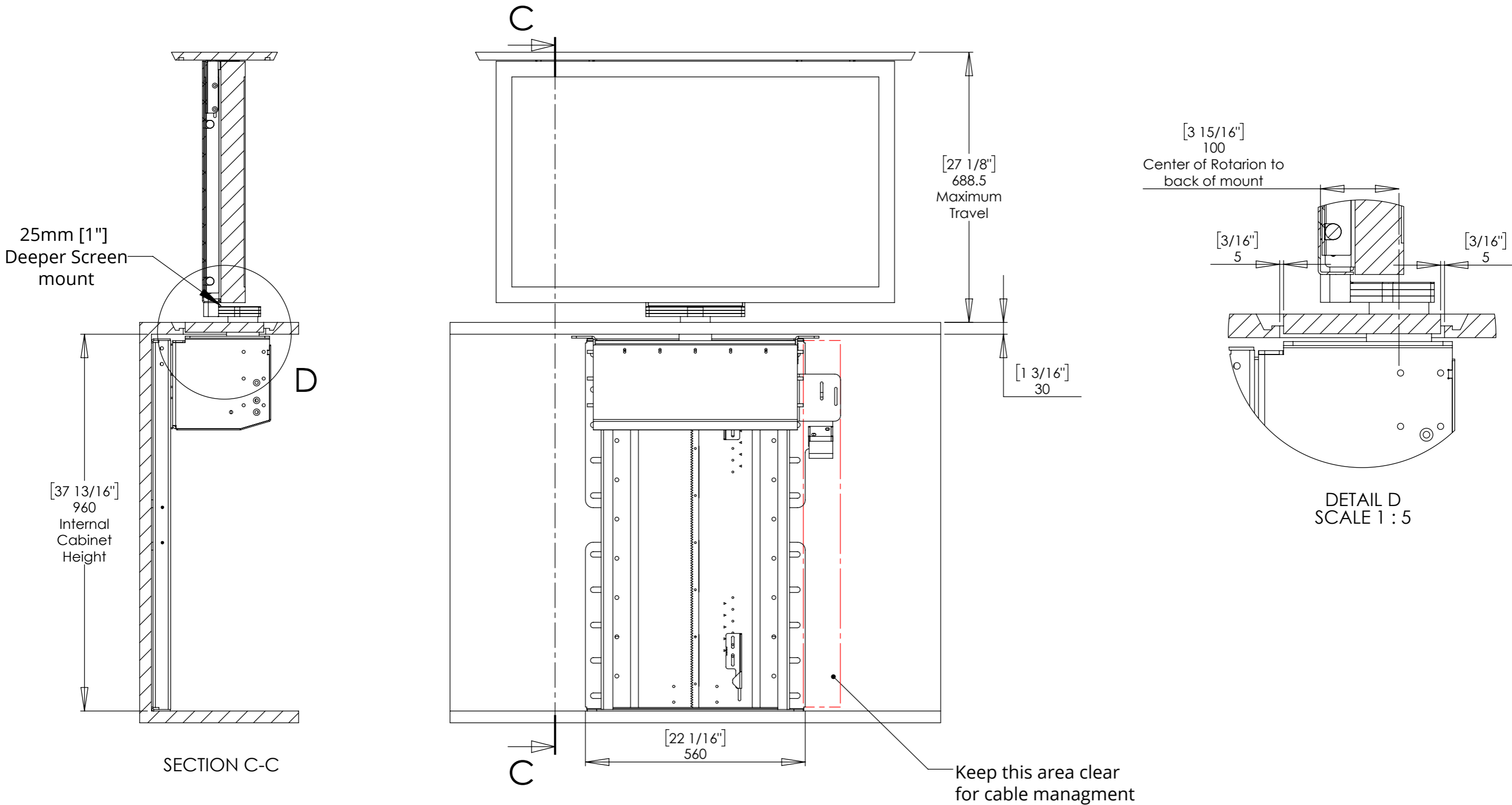


future automation

MARINE OUTDOOR LIFT SYSTEM HEAVY WITH SWIVEL

GENERAL DIMENSIONS - LIFT DOWN

Dimensions shown are for a custom LSH-S-MO for the ProofVision 42"



LSH-S-MO - PV42



future automation

MARINE OUTDOOR LIFT SYSTEM HEAVY WITH SWIVEL

Down Position

Up Position

