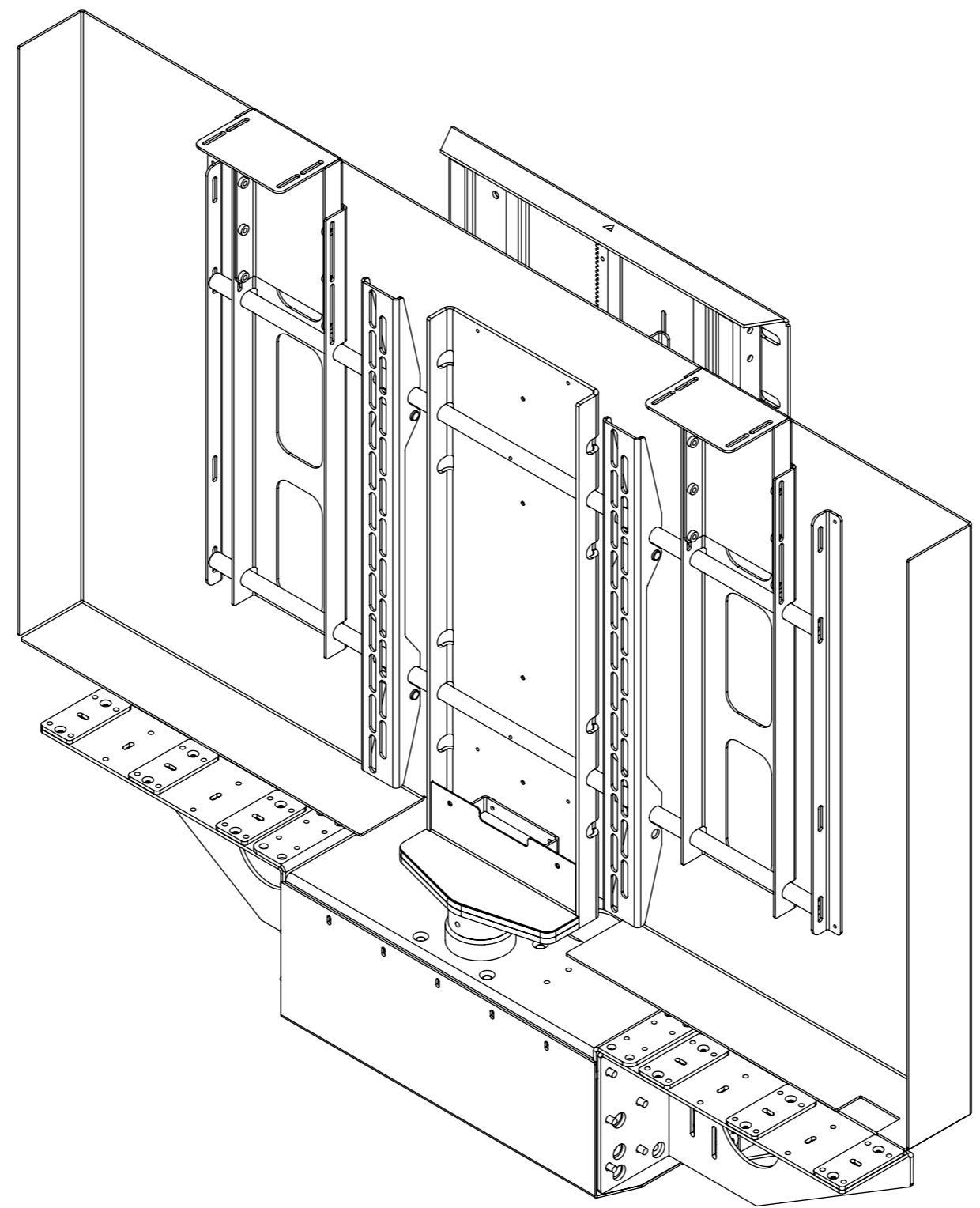


LSH-S-MO

MARINE OUTDOOR LIFT SYSTEM HEAVY WITH SWIVEL



future automation



LSH-S-MO



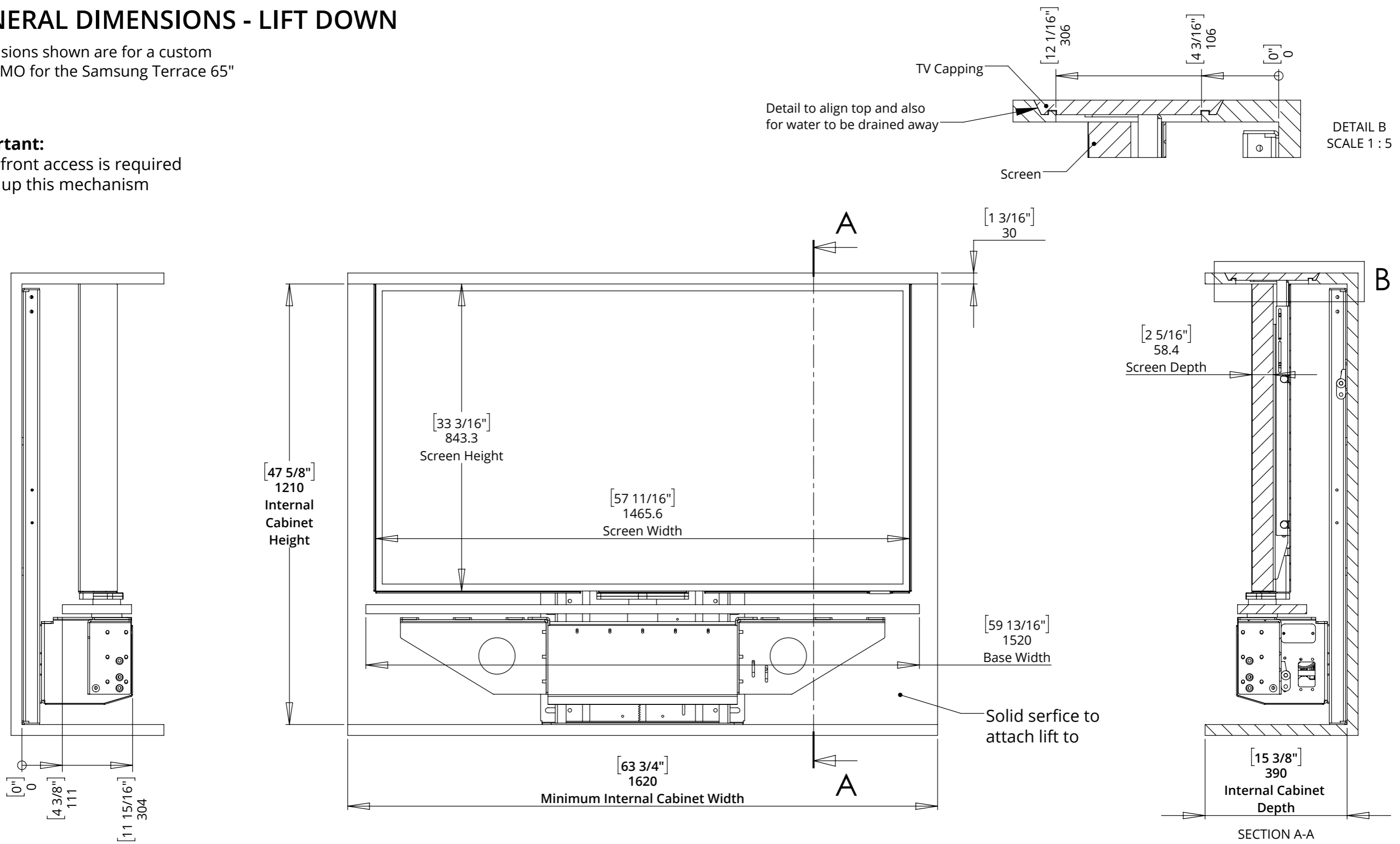
future automation

MARINE OUTDOOR LIFT SYSTEM HEAVY WITH SWIVEL

GENERAL DIMENSIONS - LIFT DOWN

Dimensions shown are for a custom LSH-S-MO for the Samsung Terrace 65"

Important:
Good front access is required to set up this mechanism



LSH-S-MO

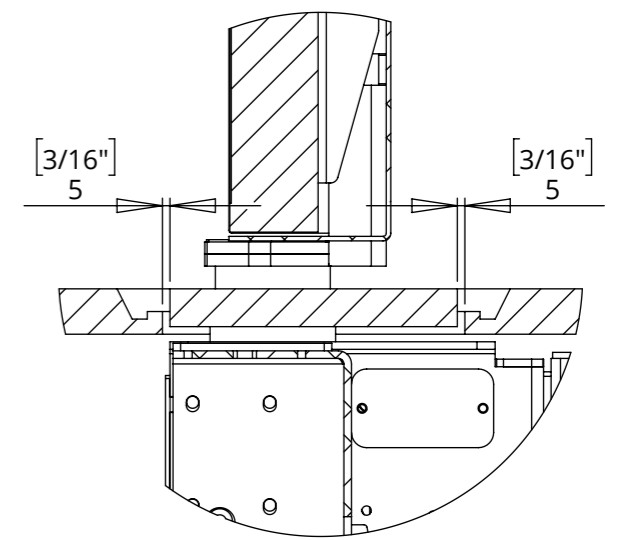
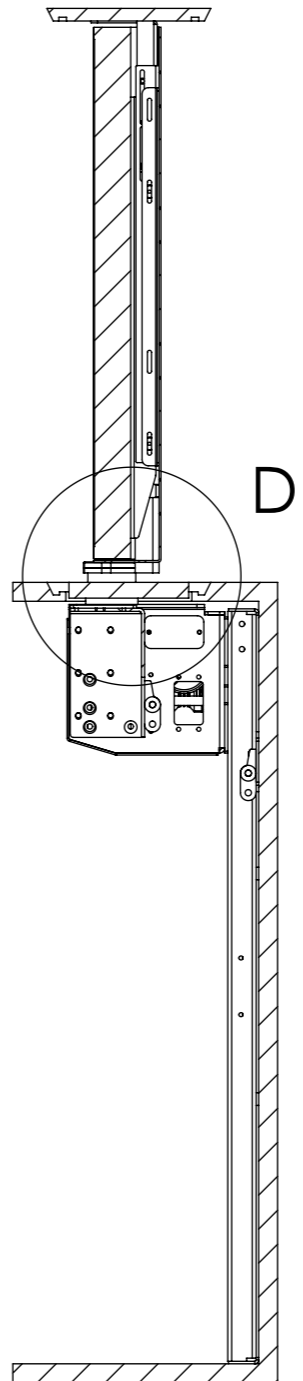
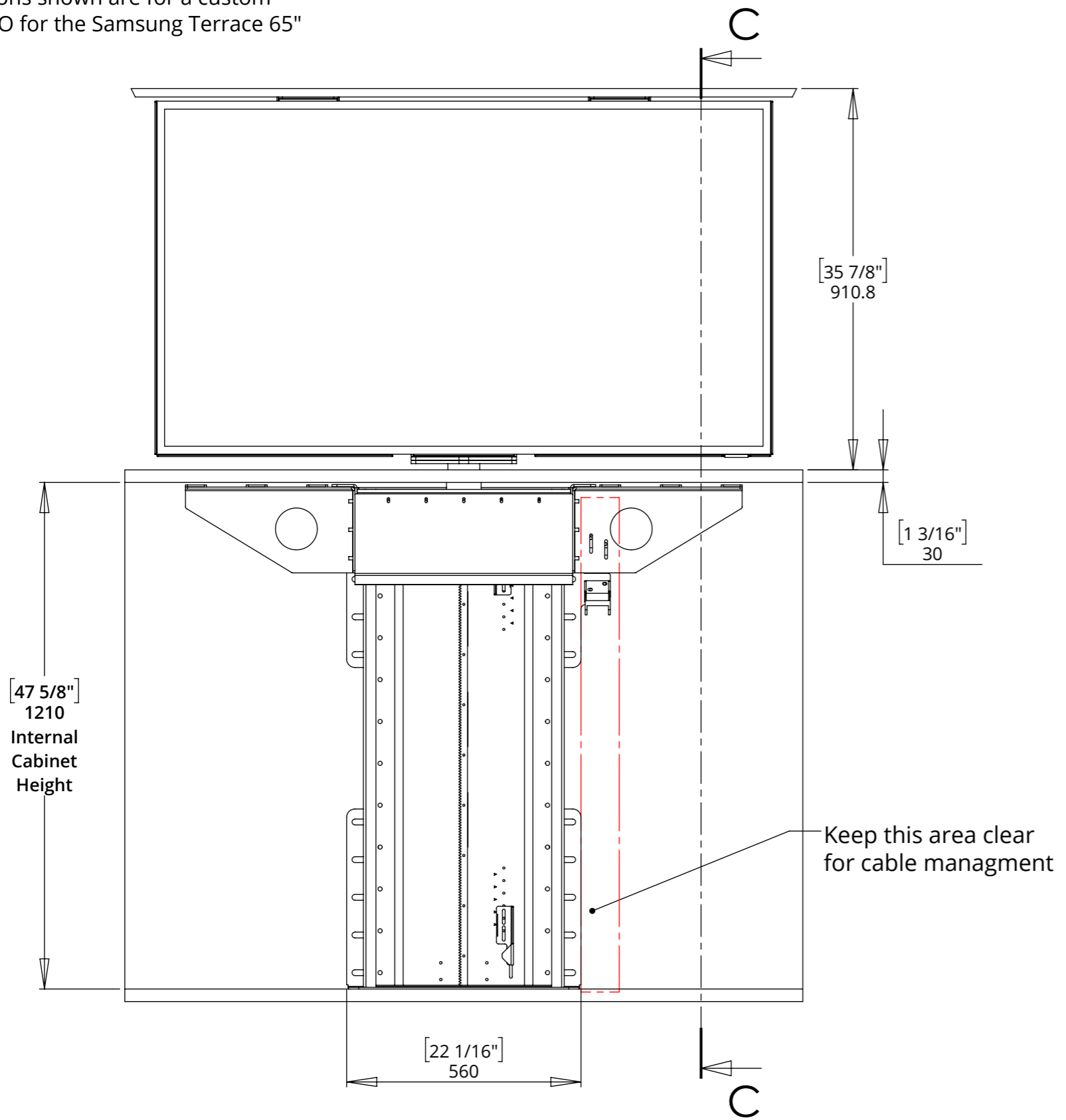


future automation

MARINE OUTDOOR LIFT SYSTEM HEAVY WITH SWIVEL

GENERAL DIMENSIONS - LIFT UP

Dimensions shown are for a custom LSH-S-MO for the Samsung Terrace 65"



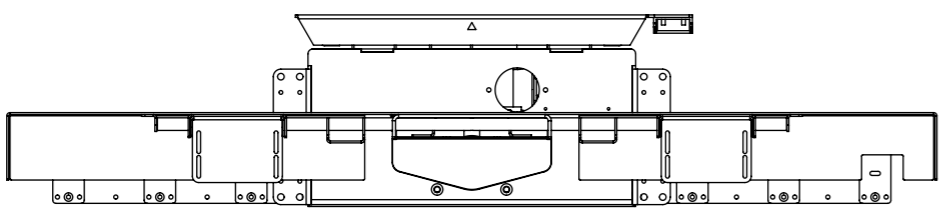
LSH-S-MO



future automation

MARINE OUTDOOR LIFT SYSTEM HEAVY WITH SWIVEL

Up Position



Down Position

