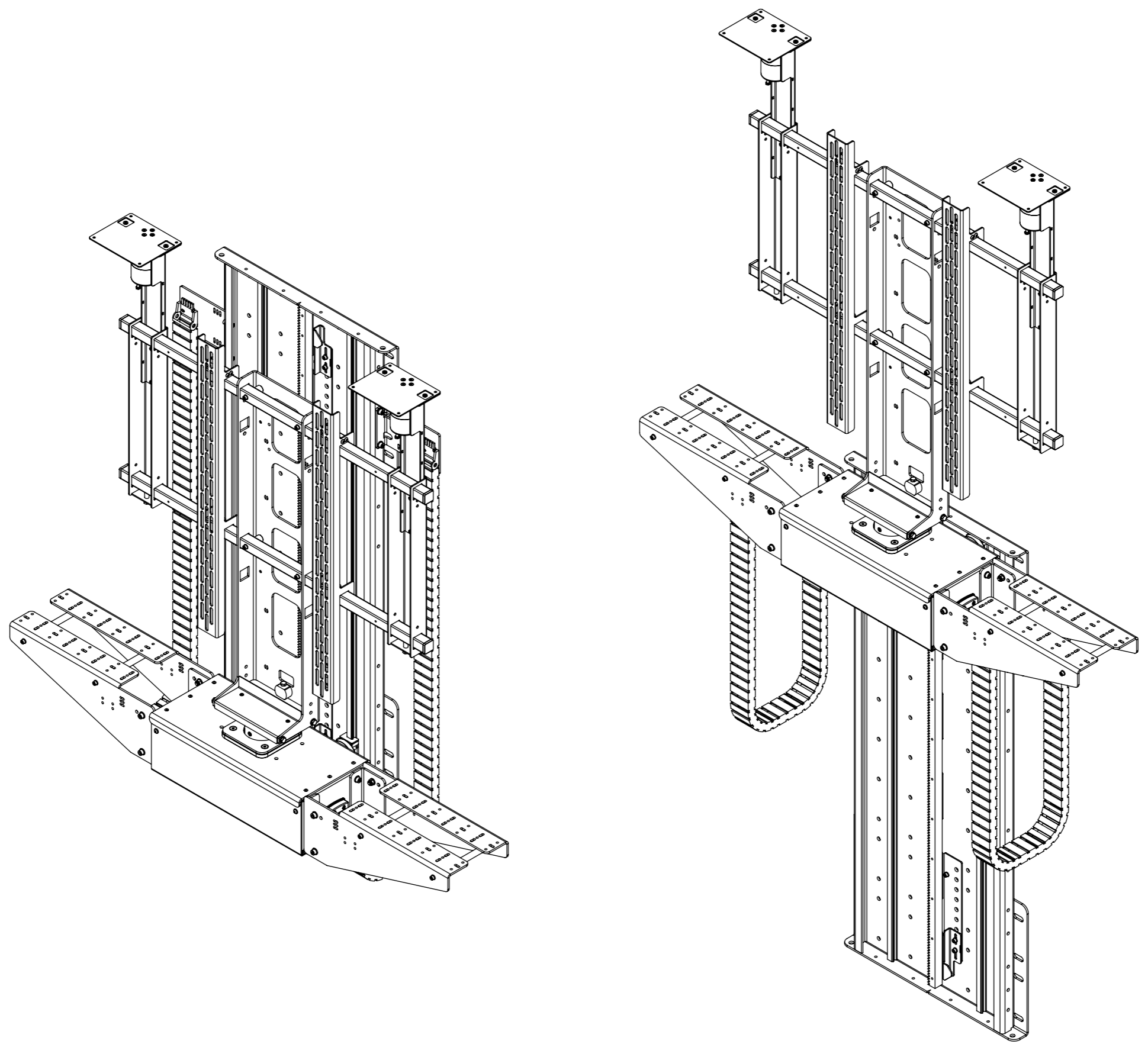


LSH-S-8

LIFT SYSTEM HEAVY WITH SWIVEL



future automation



LSH-S-8

LIFT SYSTEM HEAVY WITH SWIVEL



future automation

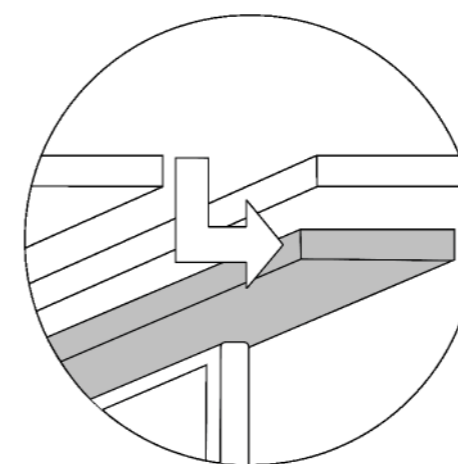
| MODEL | DESCRIPTION | MIN SCREEN HEIGHT | MAX SCREEN HEIGHT |
|----------------|--|-------------------------|-------------------------|
| LSH-S-5 | Vertical Lift with Swivel for 55" Screens | 680 [26 3/4"] | 800 [31 1/2"] |
| LSH-S-6 | Vertical Lift with Swivel for 65" Screens | 800 [31 1/2"] | 920 [36 1/4"] |
| LSH-S-7 | Vertical Lift with Swivel for 75" Screens | 920 [36 1/4"] | 1040 [40 15/16"] |
| LSH-S-8 | Vertical Lift with Swivel for 85" Screens | 1040 [40 15/16"] | 1160 [45 11/16"] |
| LSH-S-9 | Vertical Lift with Swivel for 98" Screens | 1160 [45 11/16"] | 1280 [50 3/8"] |
| LSH-S-10 | Vertical Lift with Swivel for 105" Screens | 1280 [50 3/8"] | 1400 [55 1/8"] |
| LSHZ-S-11 | Vertical Lift with Swivel for 115" Screens | 1400 [55 1/8"] | 1520 [59 13/16"] |
| LSHZ-S-12 | Vertical Lift with Swivel for 120" Screens | 1520 [59 13/16"] | 1640 [64 9/16"] |

ADDITIONAL MOTOR OPTIONS:

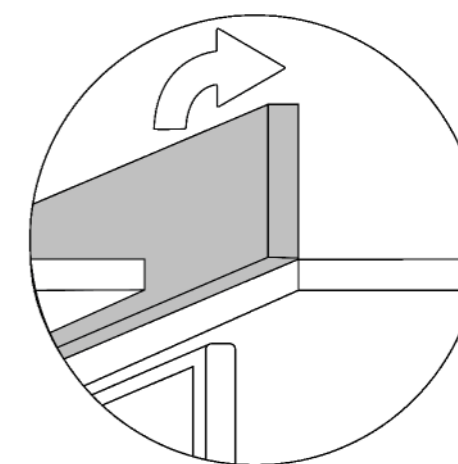


Z - SERVO MOTOR
Higher lifting capacity & faster operation.
(Not applicable to swivel)
See LSHZ-S Tech

ADDITIONAL FLAP OPTIONS:

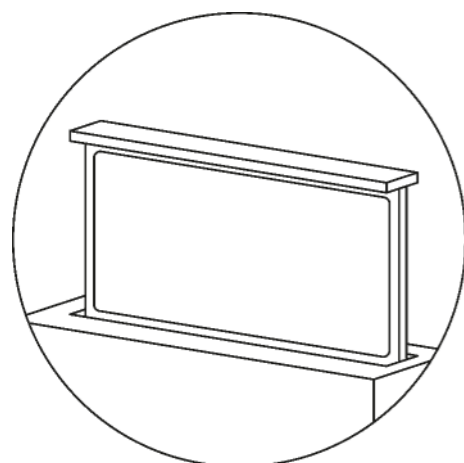


DSP - DROP & SLIDE
See LSH-DSP Tech

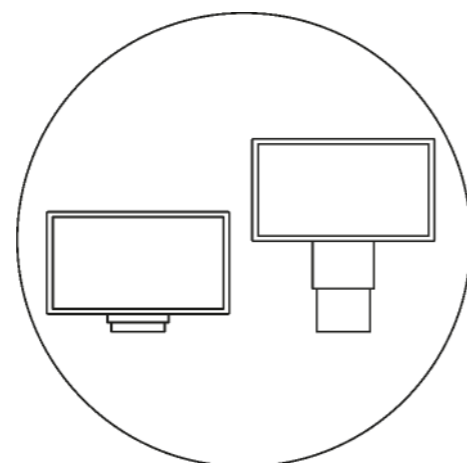


HF - HINGING FLAP
See LSH-HF Tech

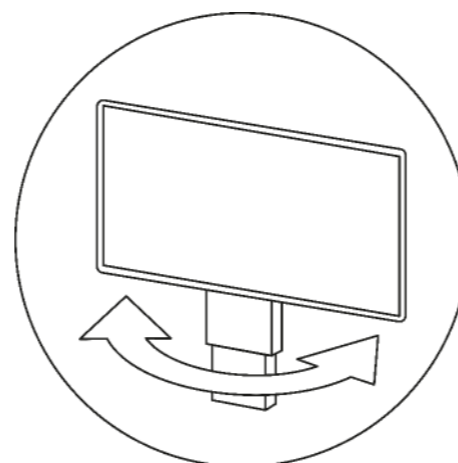
ADDITIONAL MOVEMENT OPTIONS:



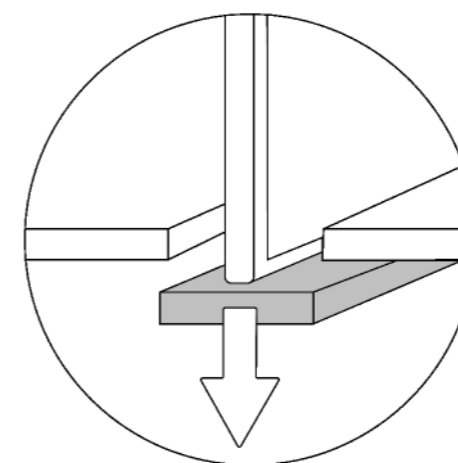
STANDARD
See LSH Tech



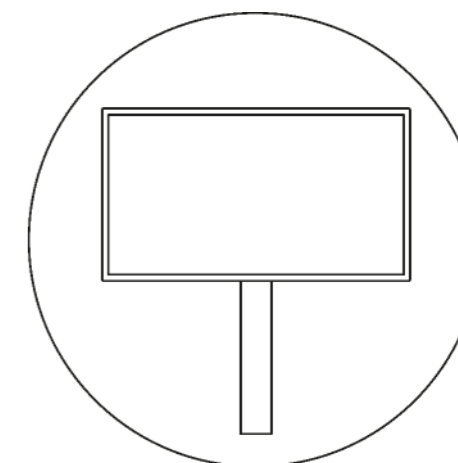
TU - TELESCOPE
See LSH-TU Tech



S-TU - SWIVEL & TELESCOPE
See LSH-S-TU Tech



I - INVERTED
See I-LSH Tech



EP - EXTENSION POLE
See LSH-S-EP Tech

TECHNICAL SHEET

ISSUE 001
SHEET 2

LSH-S-8

LIFT SYSTEM HEAVY WITH SWIVEL

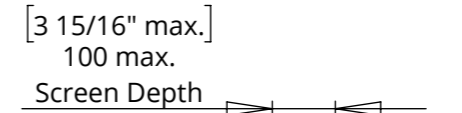
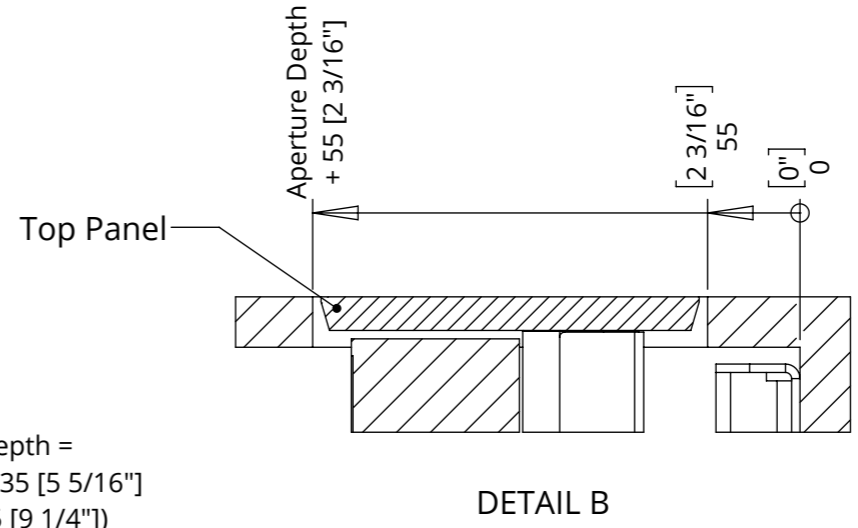
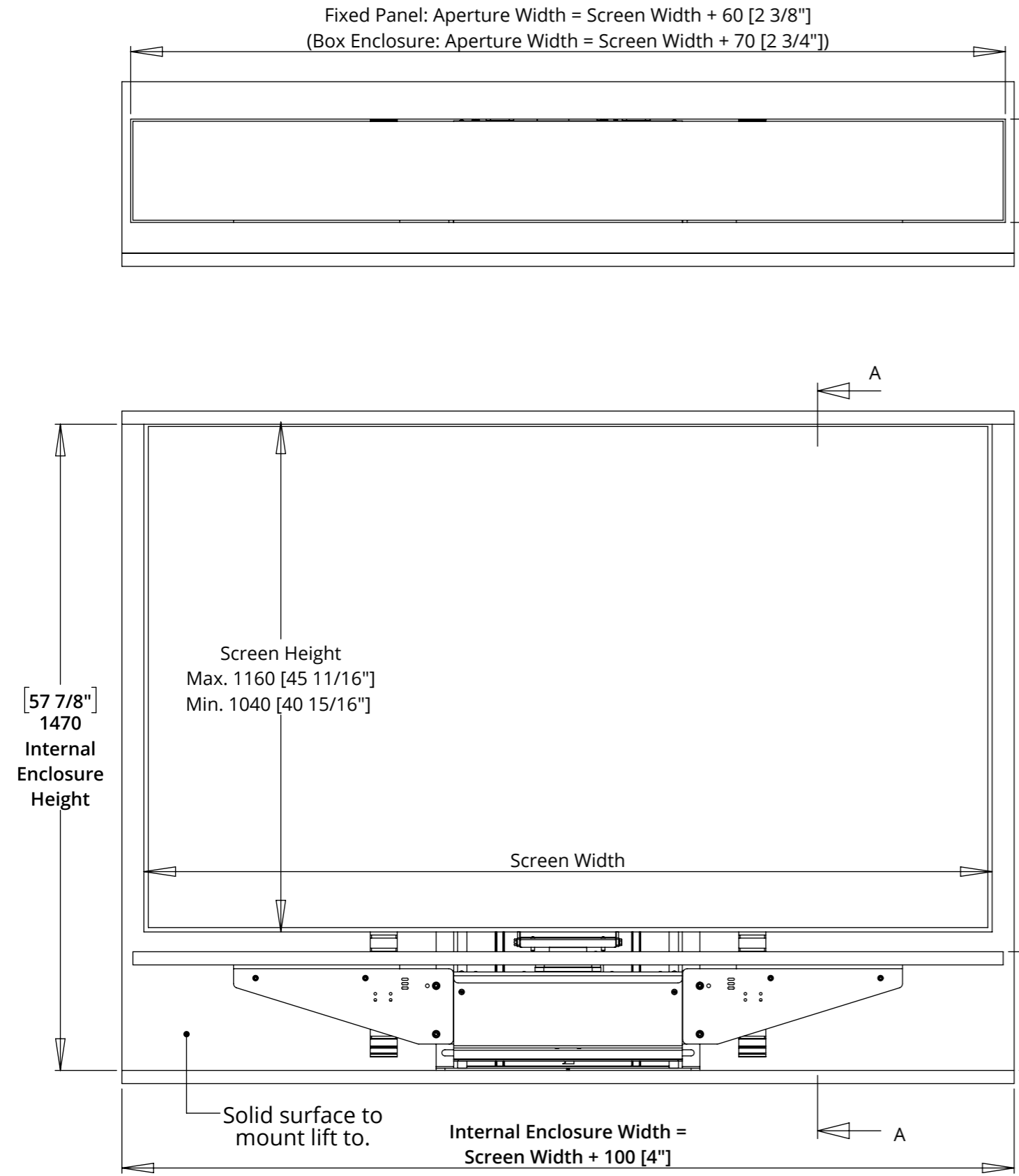


| SPECIFICATION | MEASUREMENTS |
|--|--|
| Maximum Screen Height | 1160mm [45 11/16"] |
| Minimum Screen Height | 1040mm [40 15/16"] |
| Maximum Lifting Capacity | 100Kg [220lbs] (Higher Lifting Capacity Option Available, see LSHZ-S-8) |
| Internal Cabinet Height | 1470mm [57 7/8"] |
| | |
| Packaging Dimensions | TBC |
| Shipping Weight | TBC |
| Movement Type | Motorised |
| Speed | TBC |
| Power Supply Required | 110V - 240V AC |
| Power Consumption | 250 - 500W |
| Power Consumption Standby | 3W |
| | |
| Mounting Patterns Supported | VESA 600, 400, 300 W x 600, 400, 300 H |
| Vertical Mounting Patterns Positioning | Mount holes in the bottom 115mm [4 1/2"] of the screen require a VOA Adaptor |
| Control Options | IR Remote, RS232, Contact Closure, RF Available |
| Colour Options | Custom RAL paint finishes |
| Package Contents | Mechanism, IR remote control |
| Marine Suitable | Yes |
| Outdoor Suitable | No (Marine Outdoor Option Available, see LSH-S-8-MO) |

LSH-S-8

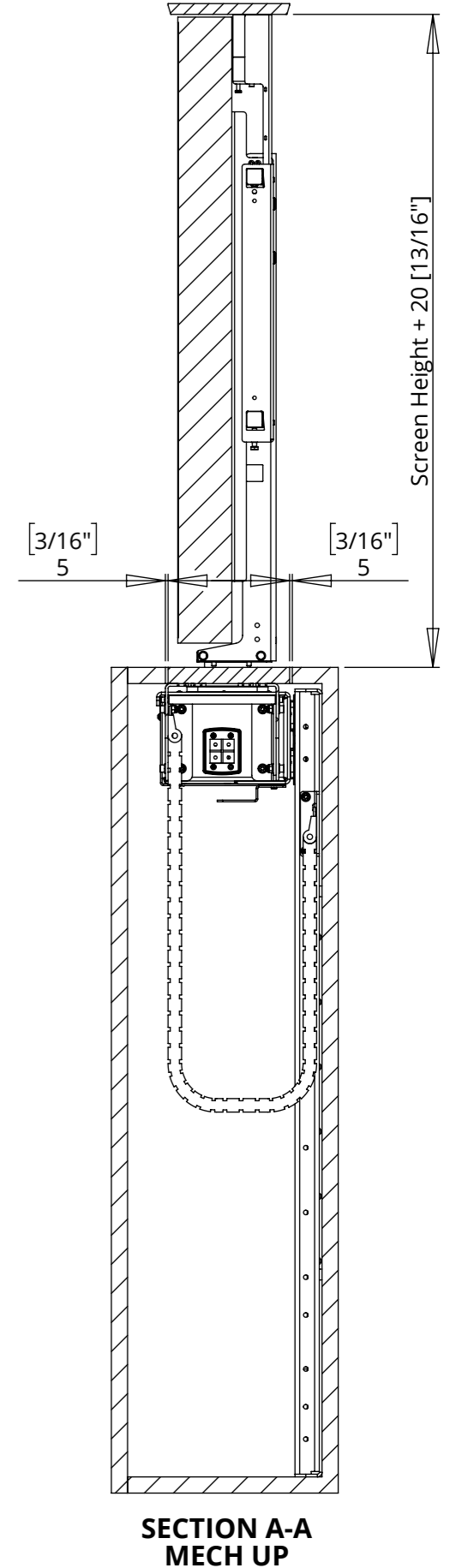
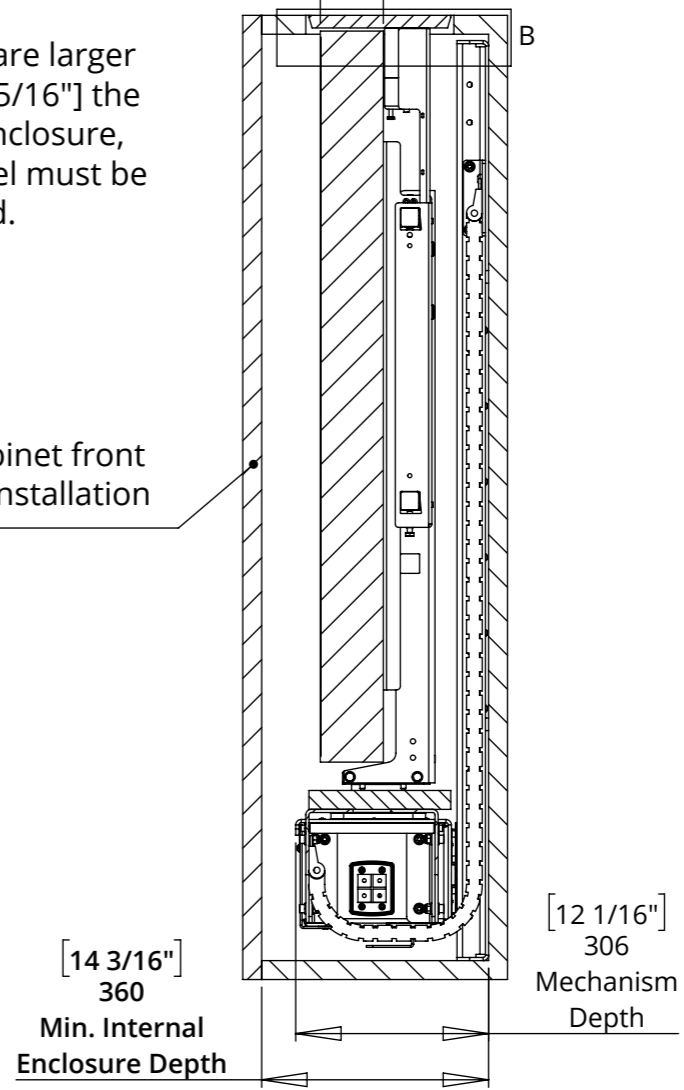
LIFT SYSTEM HEAVY WITH SWIVEL

GENERAL DIMENSIONS



Note:
 For screens that are larger than 100mm [3 15/16"] the depths of the enclosure, base and top panel must be increased.

Removable cabinet front for access for installation and servicing.

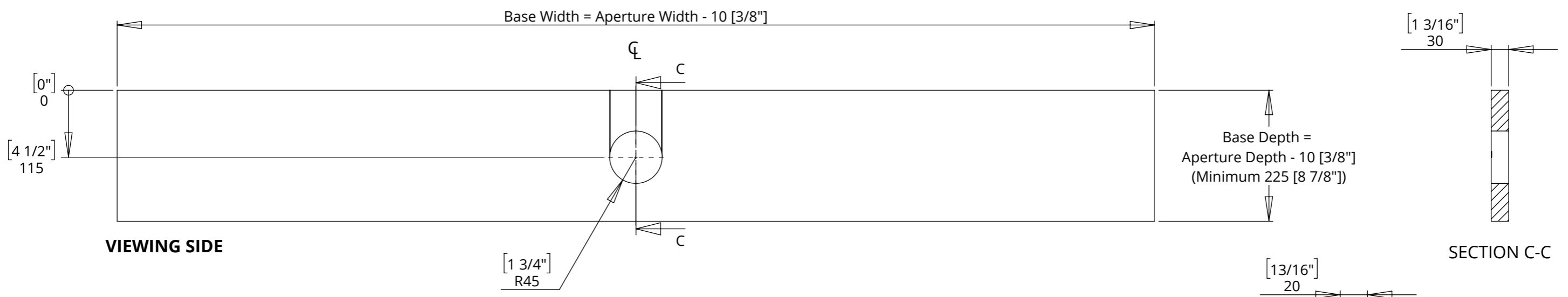


LSH-S-8

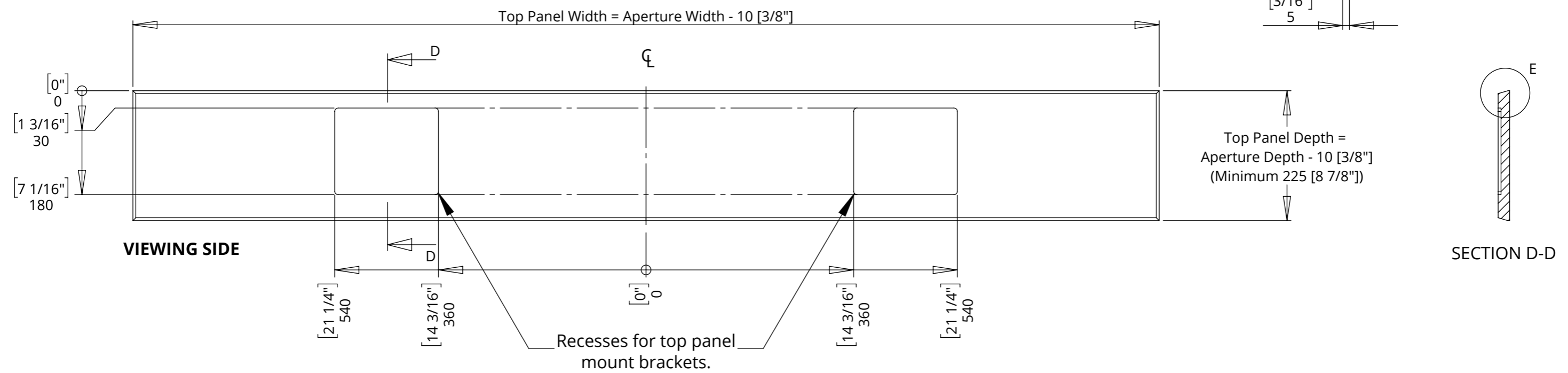
LIFT SYSTEM HEAVY WITH SWIVEL

BASE PANEL AND TOP PANEL DETAILS

BASE PANEL



TOP PANEL



LSH-S-8

LIFT SYSTEM HEAVY WITH SWIVEL

FIXED PANEL - INTEGRATION CONSIDERATIONS

High Risk - Crushing Hazard
Crush hazard between the top panel and the cabinet top when the mechanism is closing.

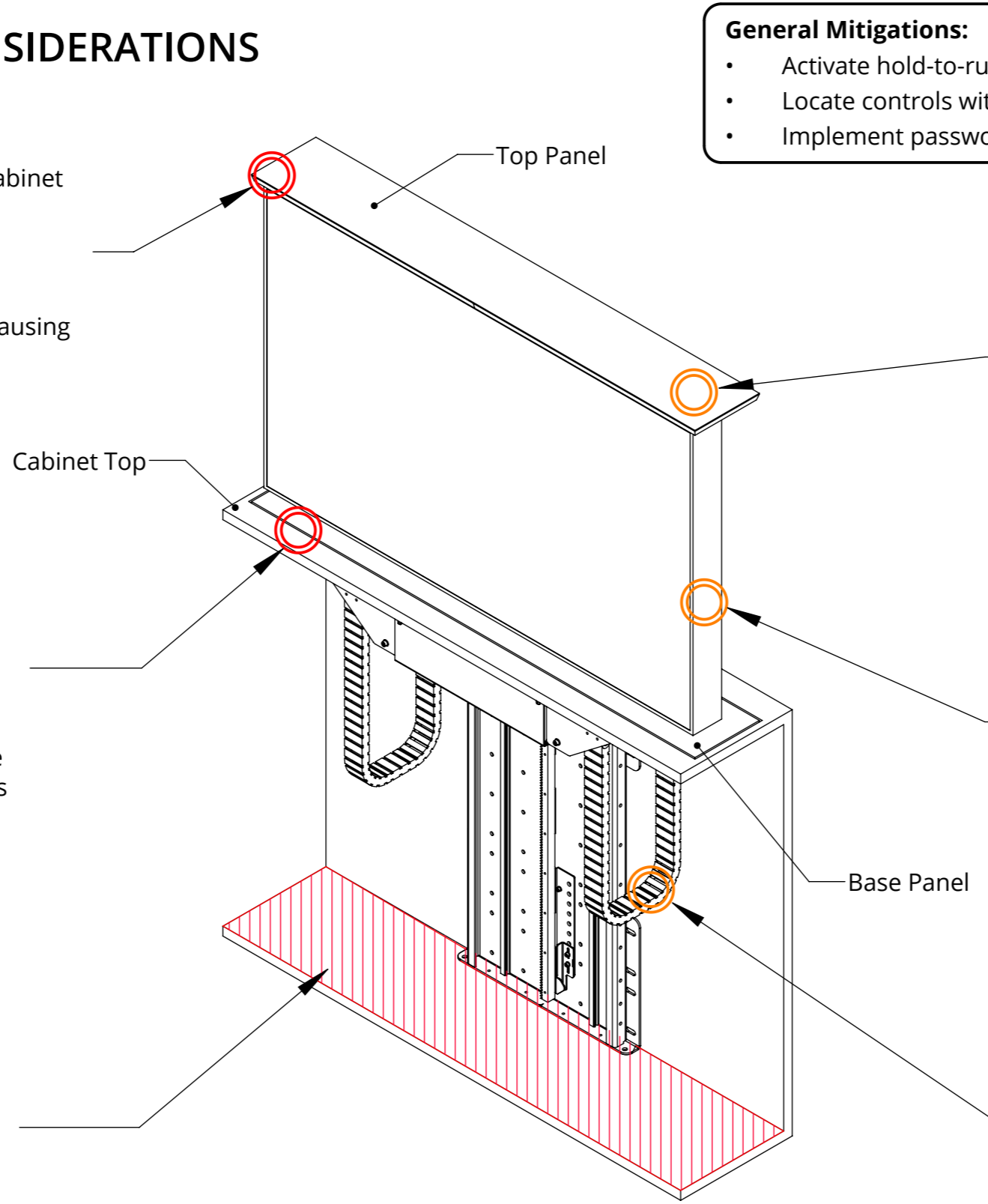
Mitigation
The top panel is constructed to allow vertical movement in the presence of an obstruction, causing the mechanism to return to open again.

High Risk - Crushing Hazard
Crush hazard at the cabinet aperture when the mechanism is opening.

Mitigation
A Tapeswitch can be installed underneath the base panel to detect any obstructions. Scan the QR code and navigate to the Cabinet Guidelines document for further details.

High Risk - Crushing Hazard
Crush hazard below the mechanism when the mechanism is closing.

Mitigation
Ensure the area below the mechanism is kept clear at all times when the mechanism is being used. If installing or maintaining the mechanism do so with the mechanism turned off.



General Mitigations:

- Activate hold-to-run/dead-man switch operation.
- Locate controls within direct line of sight of the mechanism.
- Implement password or key switch protected operation.

Low Risk - Falling Objects Hazard
Falling object hazard if objects are left on top of the top panel.

Mitigation
See general mitigations.

Low Risk - Impact Hazard
Impact hazard around the mechanism when swivelling.

Mitigation
Set swivel limits to prevent impact with surrounding objects. See also general mitigations.

Low Risk - Crushing Hazard
Cables could be snagged if not properly managed through and around the mechanism, causing damage to the mechanism and electronics.

Mitigation
Ensure sufficient cable slack is allowed around movement joints to prevent stretching and/or damage to the cables and/or the mechanism.

The installer is responsible for conducting a site-specific risk assessment. Due to the unique conditions of each installation, Future Automation cannot provide an exhaustive list of all potential risks. Installers must ensure that all risks associated with installation, operation, and maintenance are identified and mitigated in accordance with applicable legislation and best practice. Further safety and servicing guidance is available at: www.futureautomation.net/safety

LSH-S-8

LIFT SYSTEM HEAVY WITH SWIVEL

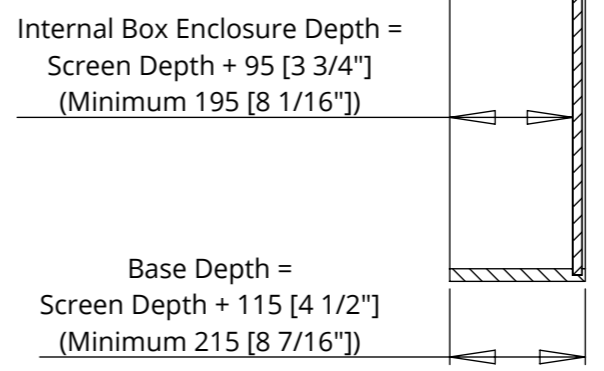
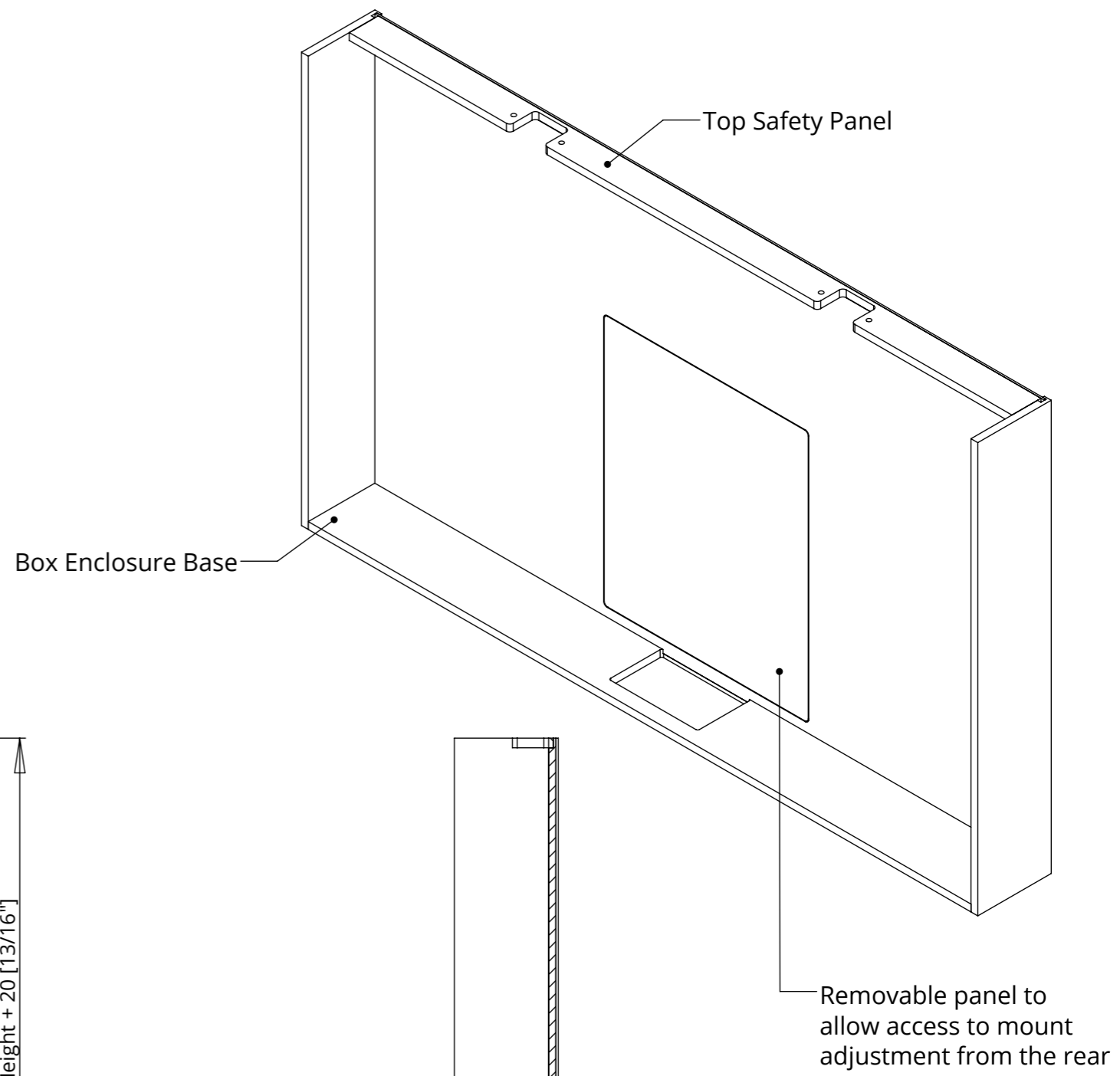
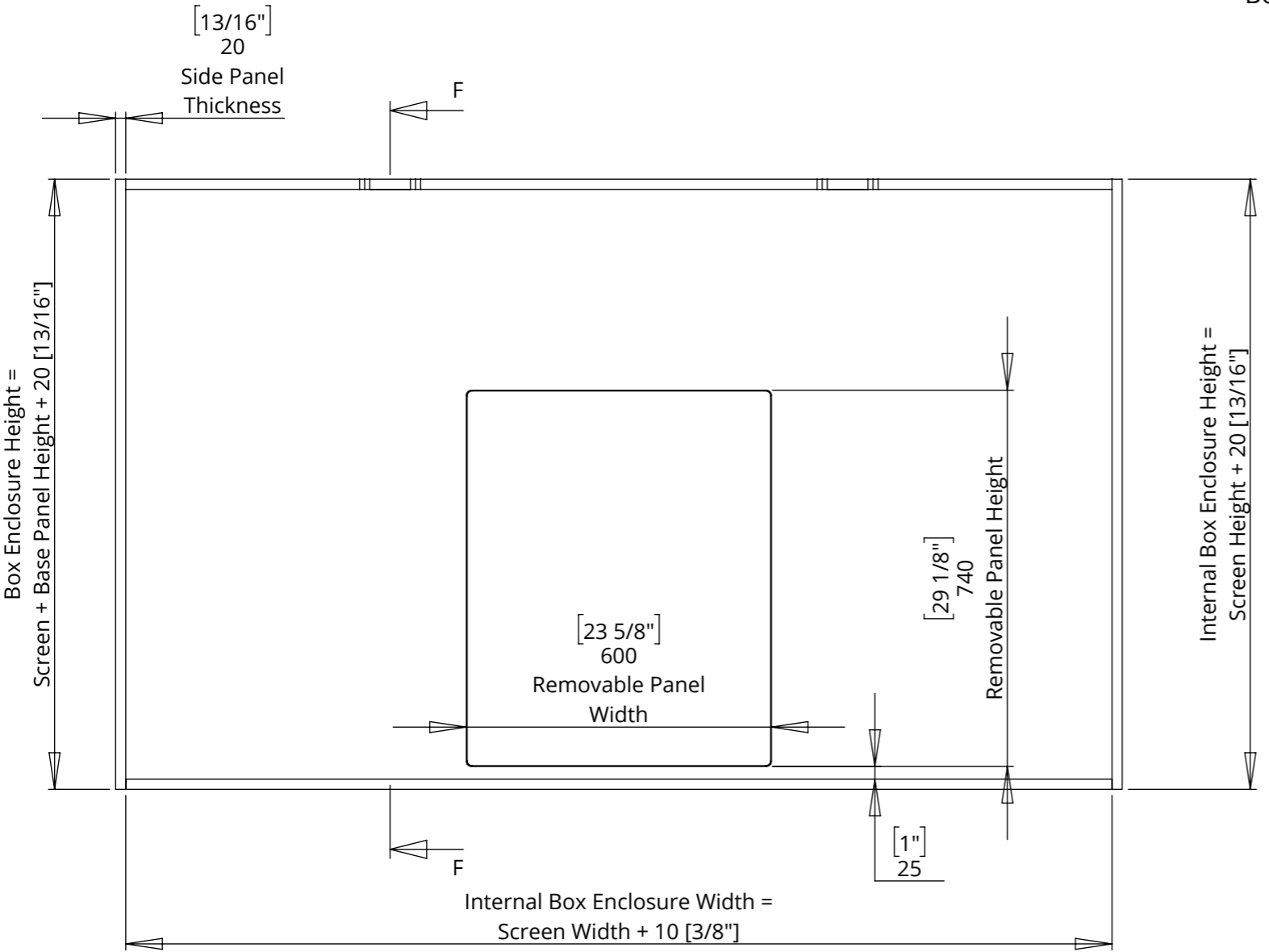
BOX ENCLOSURE DETAILS

For size specific box enclosures with further details, please see CAD.

Maximum lifting capacity: 100kg [225lbs]



Z - SERVO MOTOR
 Higher lifting capacity & faster operation.
 (Not applicable to swivel)
 See LSHZ-S Tech



LSH-S-8

LIFT SYSTEM HEAVY WITH SWIVEL

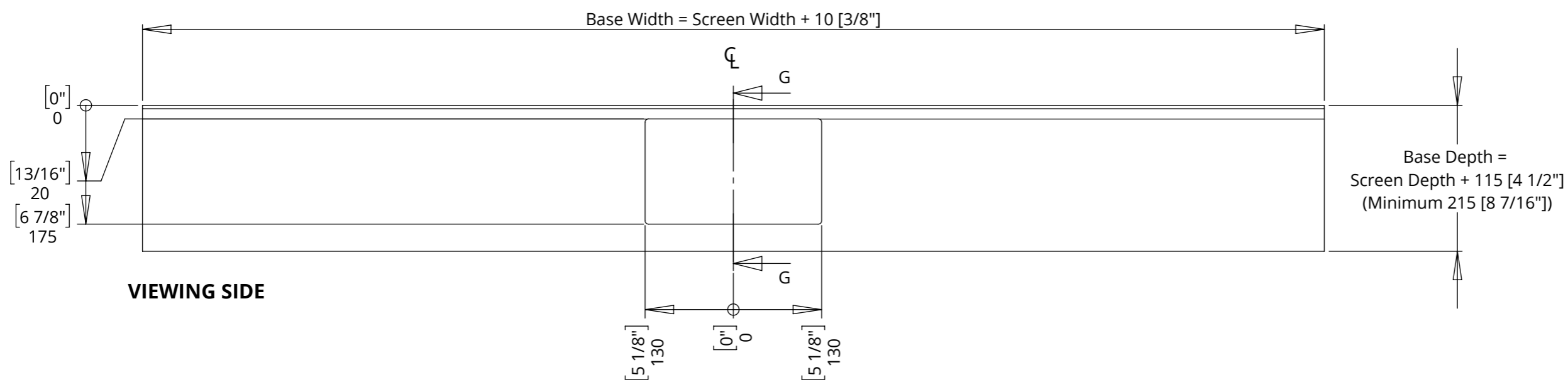


BOX ENCLOSURE - BOX ENCLOSURE BASE AND TOP SAFETY PANEL DETAILS

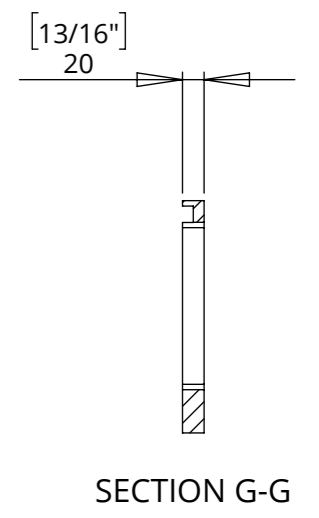
TOP PANEL

For top panel dimensions, please see sheet 5.

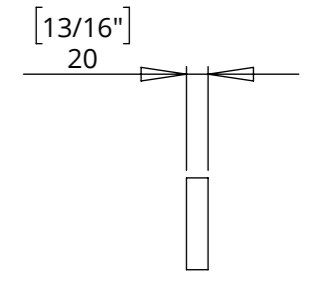
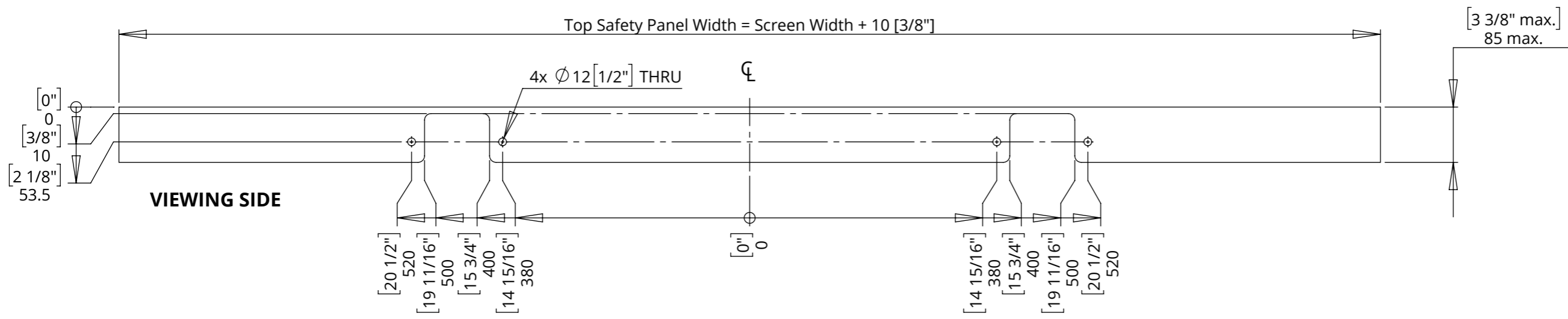
BOX ENCLOSURE BASE



Base thickness to be equal to or larger than the cabinet thickness.



TOP SAFETY PANEL



LSH-S-8

LIFT SYSTEM HEAVY WITH SWIVEL

BOX ENCLOSURE - INTEGRATION CONSIDERATIONS



High Risk - Crushing Hazard
Crush hazard between the base panel and the cabinet top as the lift closes.



Mitigation
The top panel is constructed to allow vertical movement in the presence of an obstruction, causing the mechanism to return to open again.



Low Risk - Crushing Hazard
Crush hazard at the cabinet aperture when mechanism is opening.



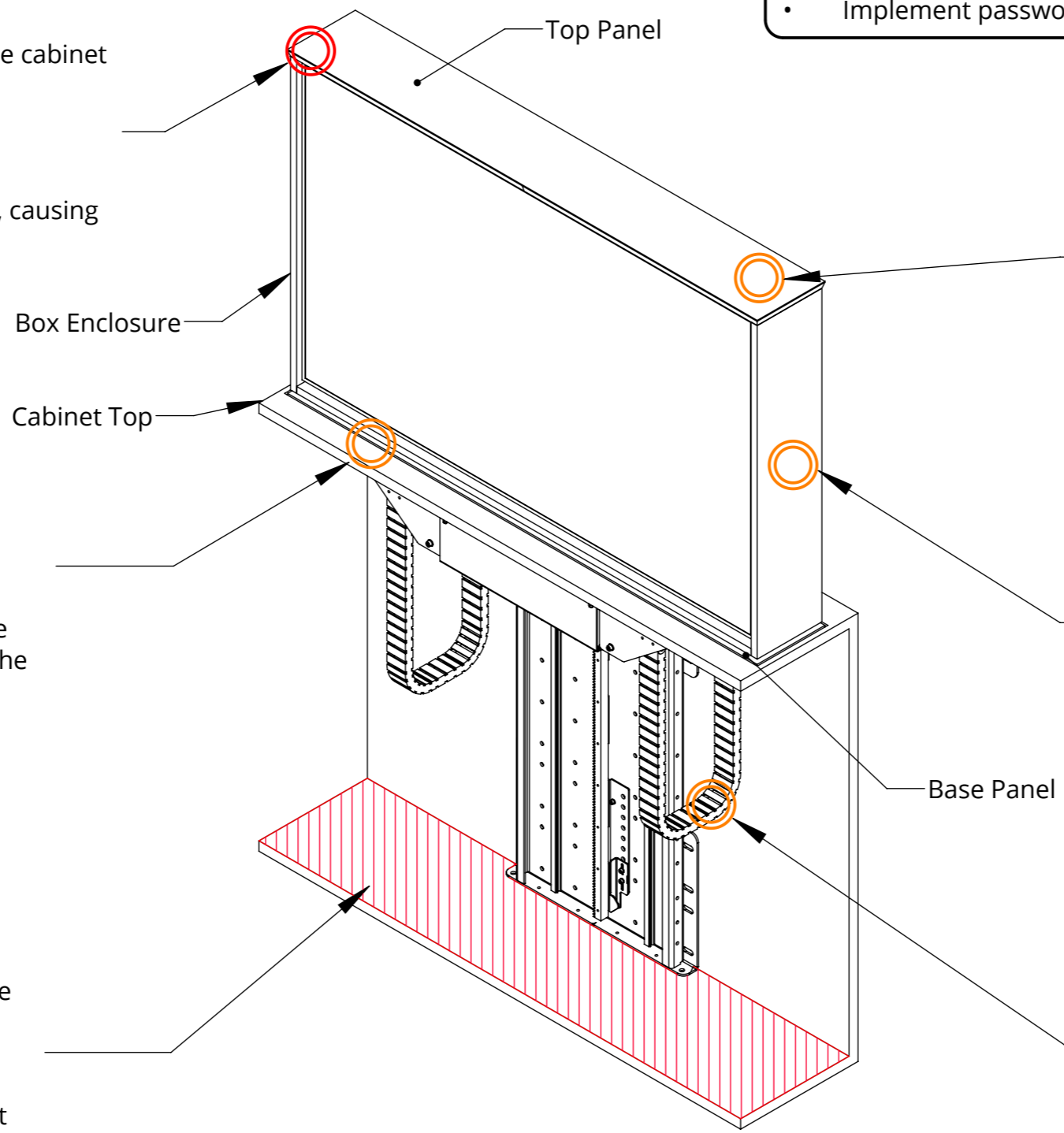
Mitigation
A Tapeswitch can be installed underneath the base panel to detect any obstructions. Scan the QR code and navigate to the Cabinet Safety document for further details.



High Risk - Crushing Hazard
Crush hazard below the mechanism when the mechanism is closing.



Mitigation
Ensure the area below the mechanism is kept clear at all times when the mechanism is being used. If installing or maintaining the mechanism do so with the mechanism turned off.



General Mitigations:

- Activate hold-to-run/dead-man switch operation.
- Locate controls within direct line of sight of the mechanism.
- Implement password or key switch protected operation.



Low Risk - Falling Objects Hazard
Falling object hazard if objects are left on top of the top panel.



Mitigation
See general mitigations.



Low Risk - Impact Hazard
Impact hazard around the mechanism when swivelling.



Mitigation
Set swivel limits to prevent impact with surrounding objects. See also general mitigations.



Low Risk - Crushing Hazard
Cables could be snagged if not properly managed through and around the mechanism, causing damage to the mechanism and electronics.



Mitigation
Ensure sufficient cable slack is allowed around movement joints to prevent stretching and/or damage to the cables and/or the mechanism.

The installer is responsible for conducting a site-specific risk assessment. Due to the unique conditions of each installation, Future Automation cannot provide an exhaustive list of all potential risks. Installers must ensure that all risks associated with installation, operation, and maintenance are identified and mitigated in accordance with applicable legislation and best practice. Further safety and servicing guidance is available at: www.futureautomation.net/safety

LSH-S-8

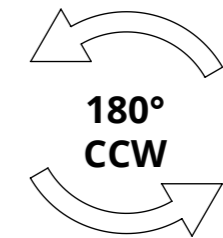
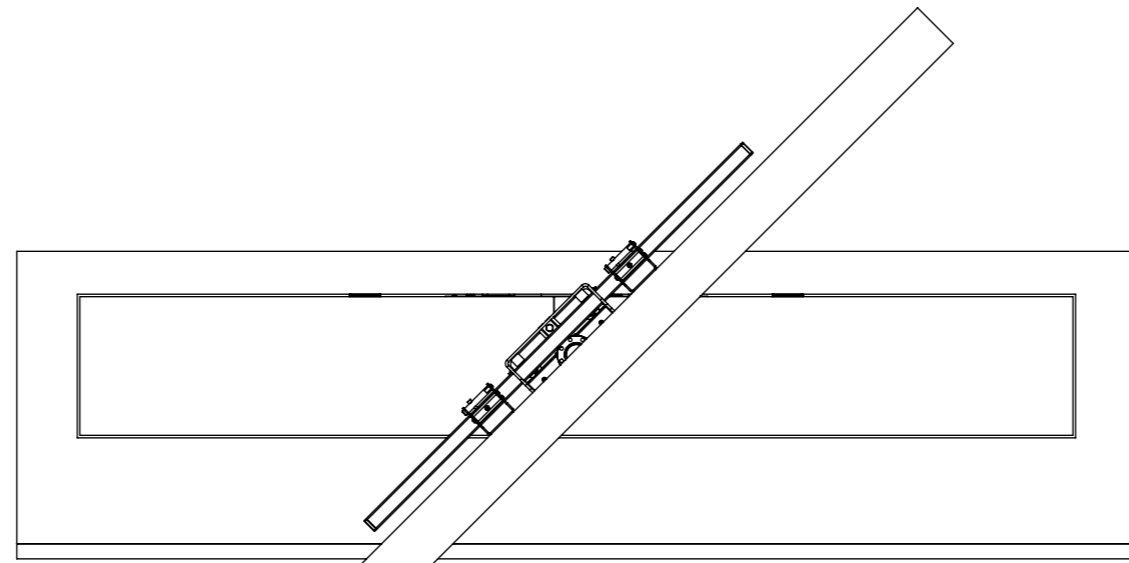
LIFT SYSTEM HEAVY WITH SWIVEL



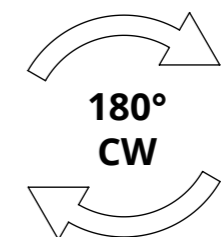
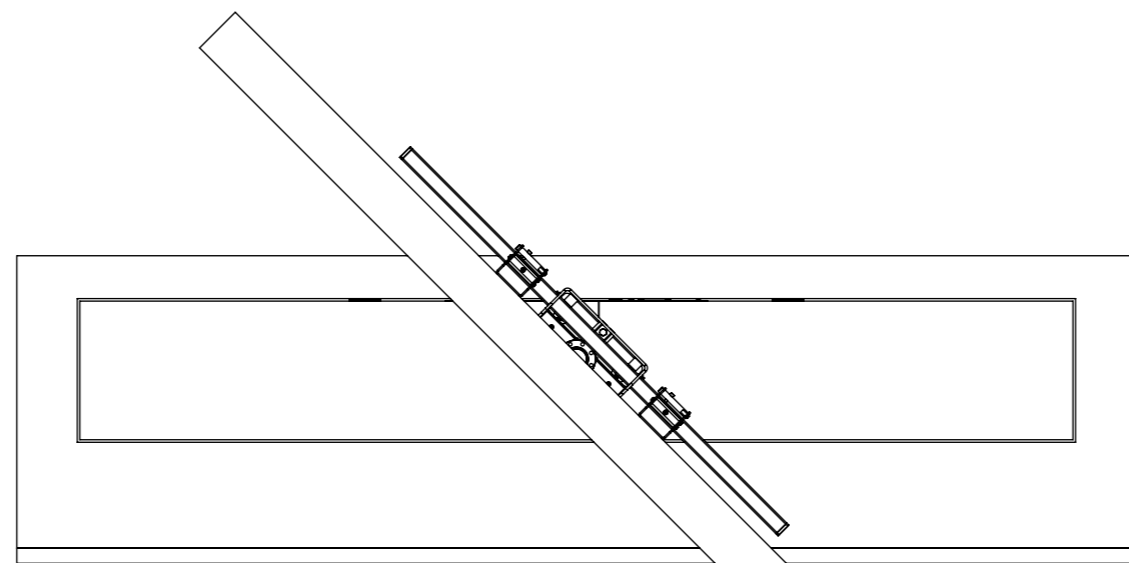
SWIVEL DETAILS

The LSH-S can swivel a full 180° in both the clockwise and counterclockwise direction.

Top Panel
hidden for
clarity



Top Panel
hidden for
clarity



LSH-S-8

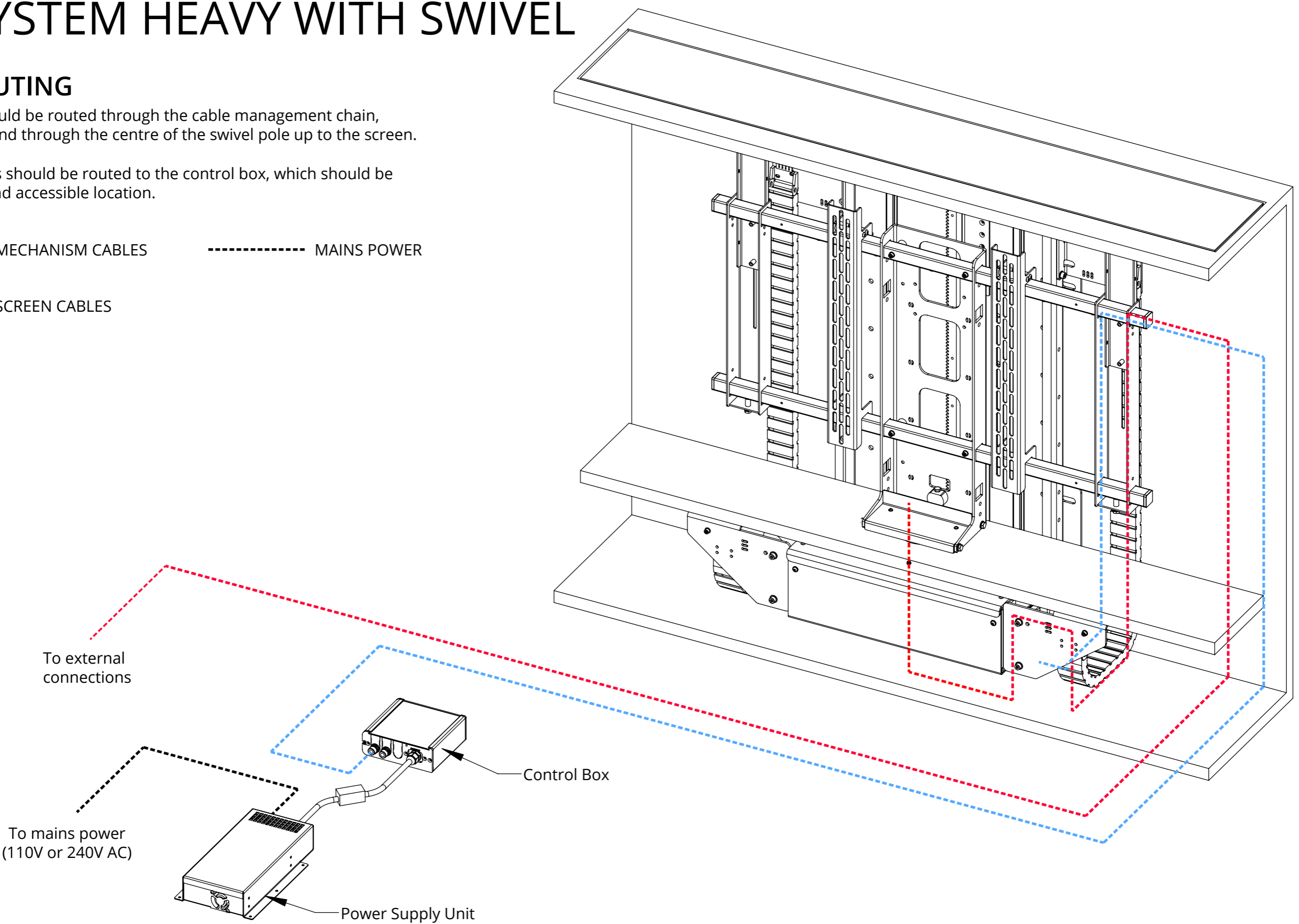
LIFT SYSTEM HEAVY WITH SWIVEL

CABLE ROUTING

Screen cables should be routed through the cable management chain, under the beam and through the centre of the swivel pole up to the screen.

Mechanism cables should be routed to the control box, which should be stored in a safe and accessible location.

- MECHANISM CABLES
- SCREEN CABLES
- MAINS POWER

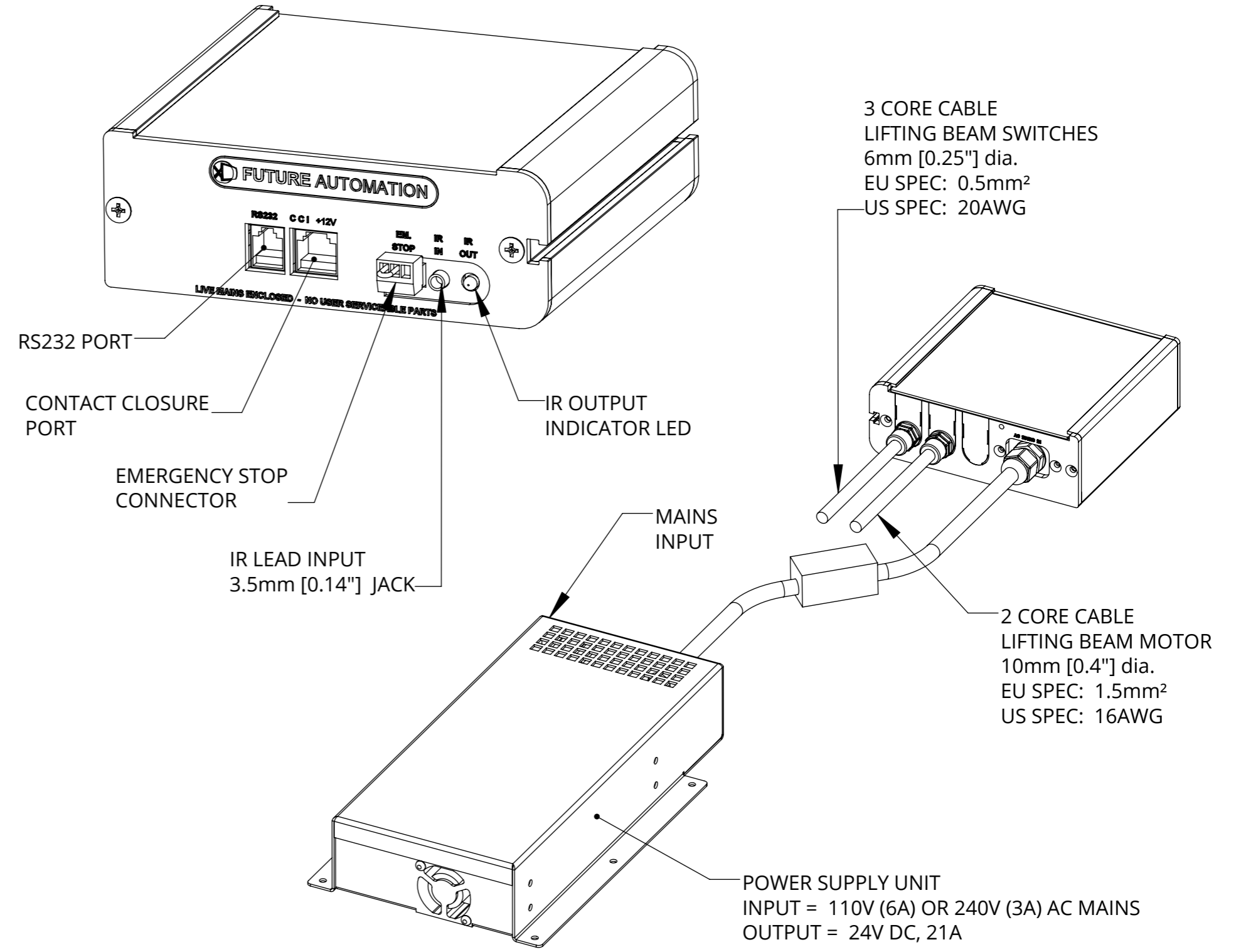
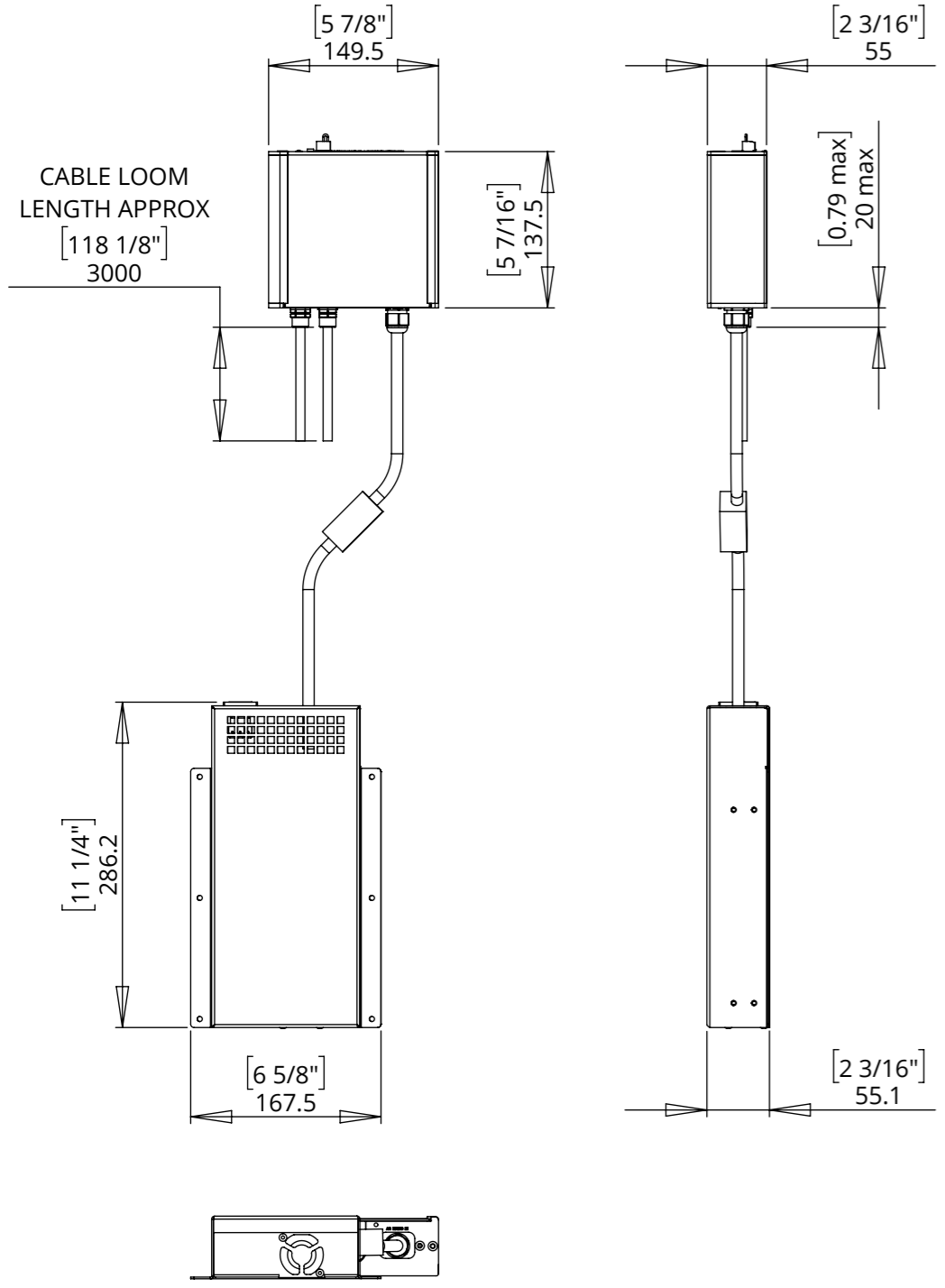


LSH-S-8

LIFT SYSTEM HEAVY WITH SWIVEL



CONTROL BOX DETAILS



NOTES

- POWER SUPPLY UNIT (PSU) WILL ALLOW 110V OR 240V AC INPUT. THE SAME PSU IS USED FOR EU OR US MAINS SUPPLIES.
- OTHER THAN CONTROL CABLES, ALL CABLES TERMINATE AT CONTROL BOARD VIA STANDARD PHOENIX CONNECTORS.
- CABLE LOOM LENGTH SUPPLIED AT APPROX. 3m [118"]. LOOM CAN BE EXTENDED UP TO MAXIMUM OF APPROX. 10m [400"].
- MINIMUM CABLE BEND RADIUS 25mm [1"].