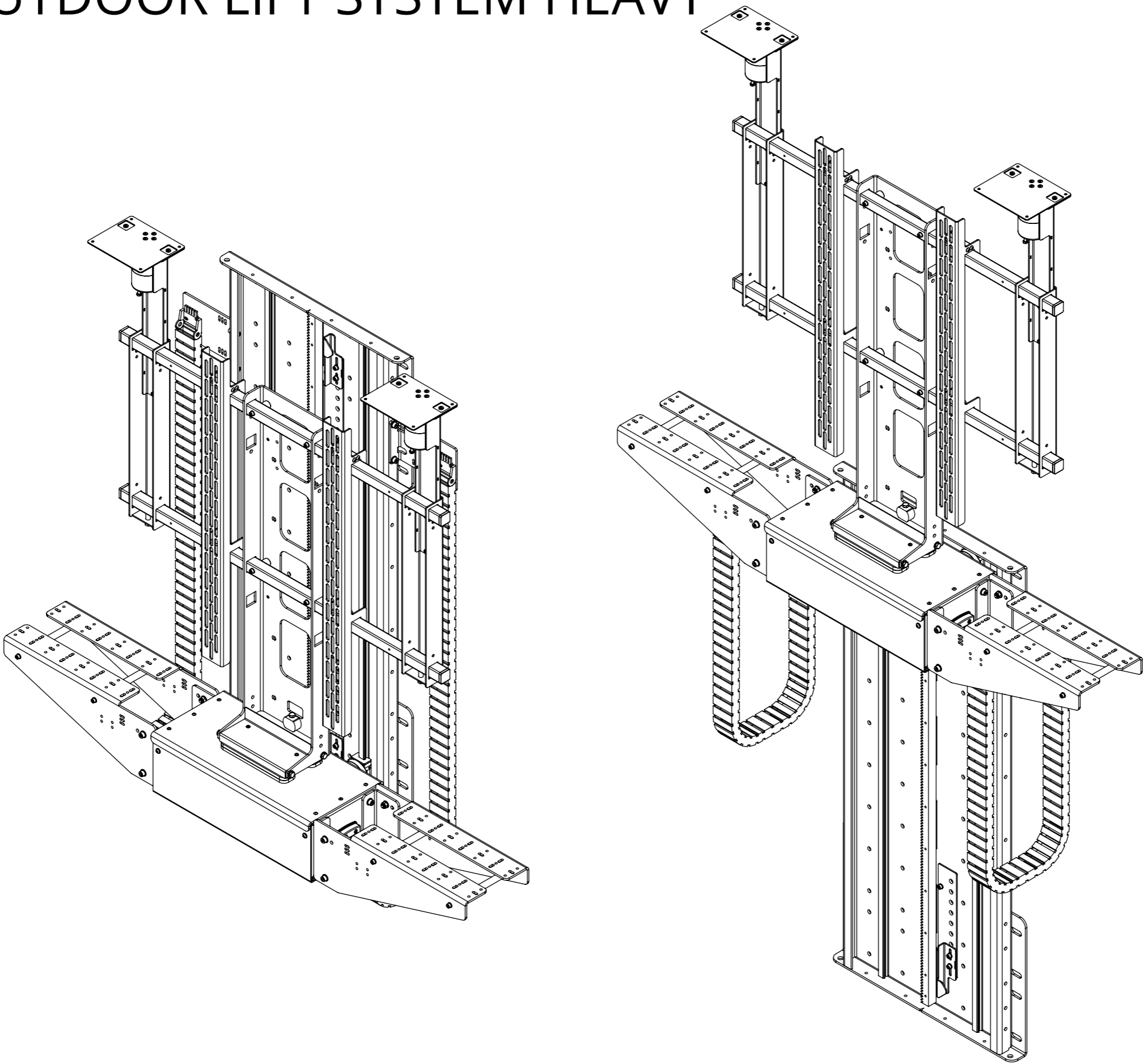


# LSH-8-MO

## MARINE OUTDOOR LIFT SYSTEM HEAVY



future automation



# LSH-8-MO

## MARINE OUTDOOR LIFT SYSTEM HEAVY

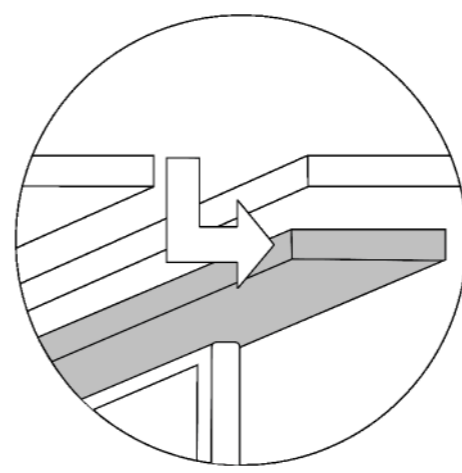
MODEL	DESCRIPTION	MIN SCREEN HEIGHT	MAX SCREEN HEIGHT
LSH-5-MO	Vertical Lift for 55" Screens	680 [26 3/4"]	800 [31 1/2"]
LSH-6-MO	Vertical Lift for 65" Screens	800 [31 1/2"]	920 [36 1/4"]
LSH-7-MO	Vertical Lift for 75" Screens	920 [36 1/4"]	1040 [40 15/16"]
<b>LSH-8-MO</b>	<b>Vertical Lift for 85" Screens</b>	<b>1040 [40 15/16"]</b>	<b>1160 [45 11/16"]</b>
LSHZ-9-MO	Vertical Lift for 98" Screens	1160 [45 11/16"]	1280 [50 3/8"]
LSHZ-10-MO	Vertical Lift for 105" Screens	1280 [50 3/8"]	1400 [55 1/8"]
LSHZ-11-MO	Vertical Lift for 115" Screens	1400 [55 1/8"]	1520 [59 13/16"]
LSHZ-12-MO	Vertical Lift for 120" Screens	1520 [59 13/16"]	1640 [64 9/16"]

**ADDITIONAL MOTOR OPTIONS:**

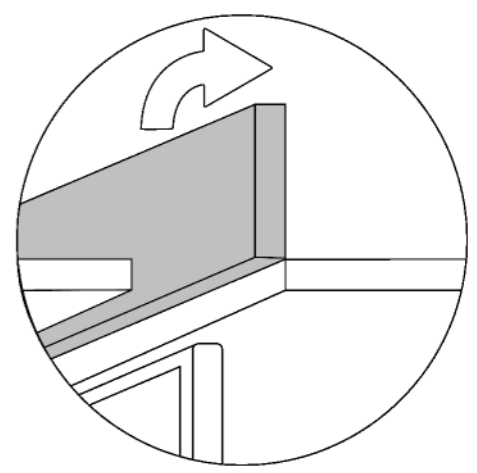


**Z - SERVO MOTOR**  
Higher lifting capacity & faster operation.  
See LSHZ-MO Tech

**ADDITIONAL FLAP OPTIONS:**

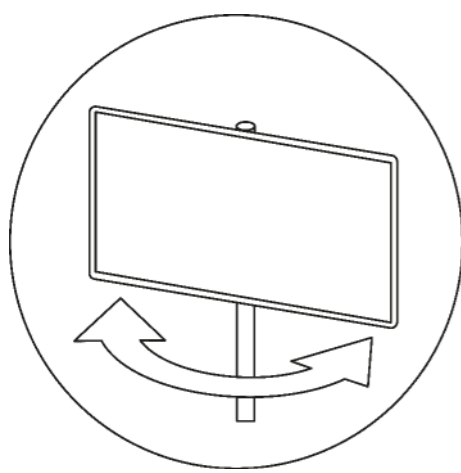


**DSP - DROP & SLIDE**  
See LSH-DSP-MO Tech

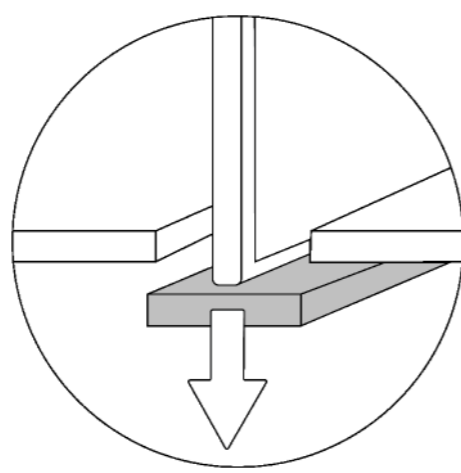


**HF - HINGING FLAP**  
See LSH-HF-MO Tech

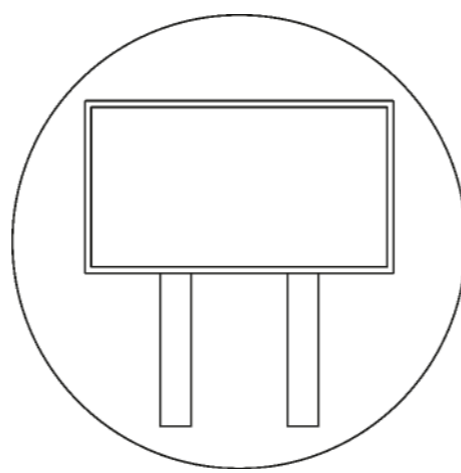
**ADDITIONAL MOVEMENT OPTIONS:**



**S - SWIVEL**  
See LSH-S-MO Tech



**I - INVERTED**  
See I-LSH-MO Tech



**EP - EXTENSION POLE**  
See LSH-EP-MO Tech  
(Upon request)

# LSH-8-MO

## MARINE OUTDOOR LIFT SYSTEM HEAVY



SPECIFICATION	MEASUREMENTS
Maximum Screen Height	1160mm [45 11/16"]
Minimum Screen Height	1040mm [40 15/16"]
Maximum Lifting Capacity	100Kg [220lbs] (Higher Lifting Capacity Option Available, see LSHZ-8-MO)
Internal Cabinet Height	1410mm [55 1/2"]
Packaging Dimensions	TBC
Shipping Weight	TBC
Movement Type	Motorised
Speed	TBC
Power Supply Required	110V - 240V AC
Power Consumption	250 - 500W
Power Consumption Standby	3W
Mounting Patterns Supported	VESA 600, 400, 300 W x 600, 400, 300 H
Vertical Mounting Patterns Positioning	Mount holes in the bottom 100mm [3 15/16"] of the screen require a VOA Adaptor
Control Options	IR Remote, RS232, Contact Closure, RF Available
Colour Options	Custom RAL paint finishes
Package Contents	Mechanism, IR remote control
Marine Suitable	Yes
Outdoor Suitable	Yes

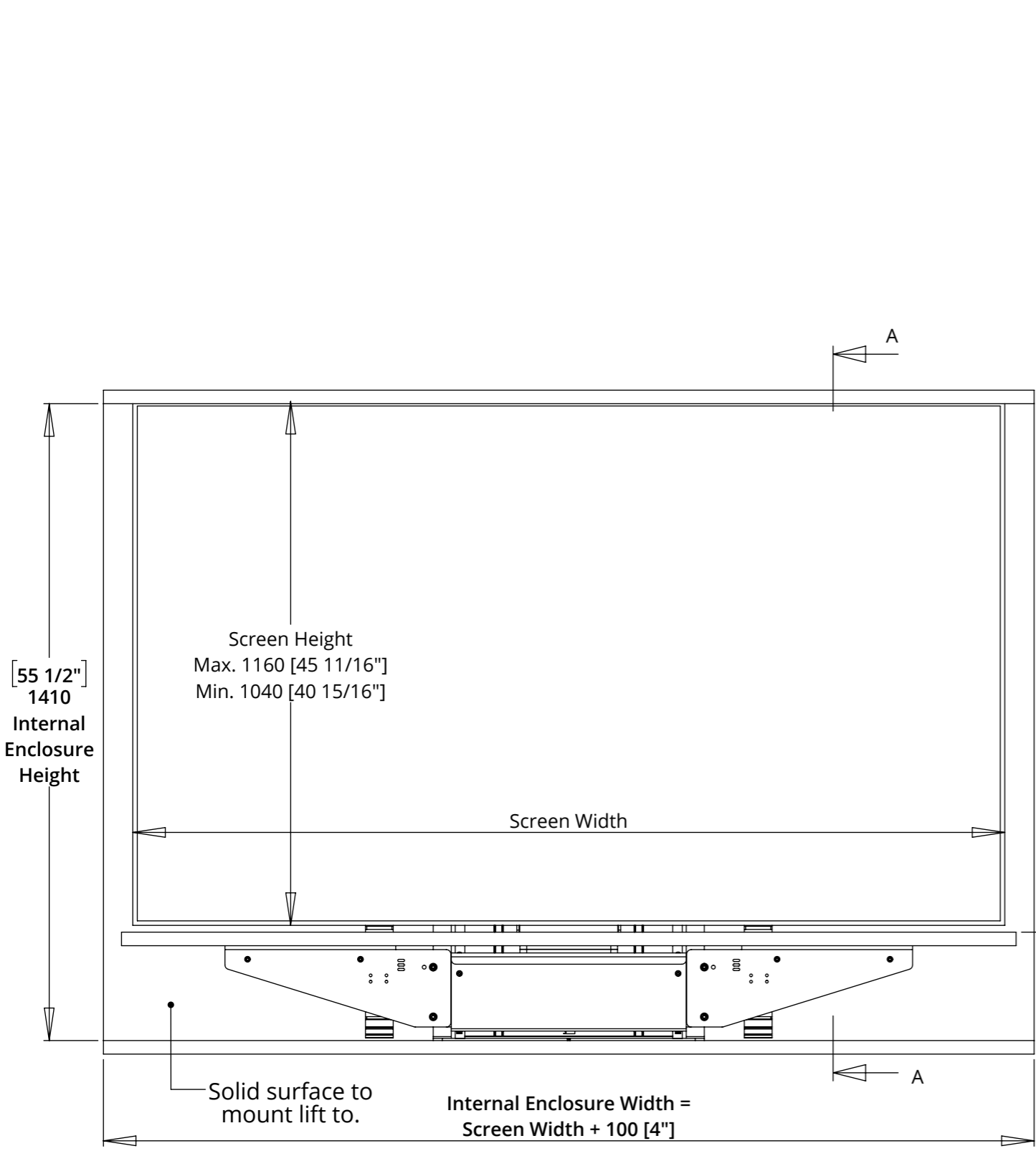
# LSH-8-MO

## MARINE OUTDOOR LIFT SYSTEM HEAVY



future automation

### GENERAL DIMENSIONS

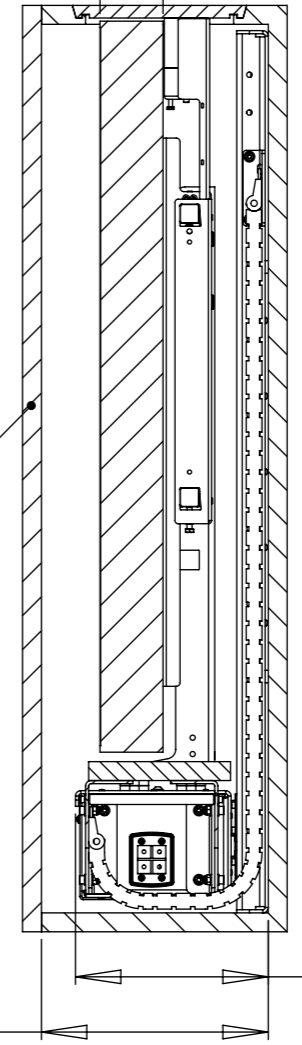


**Note:**  
 For screens that are larger than 100mm  $[3 \frac{15}{16}"]$  the depths of the enclosure, base and top panel must be increased.

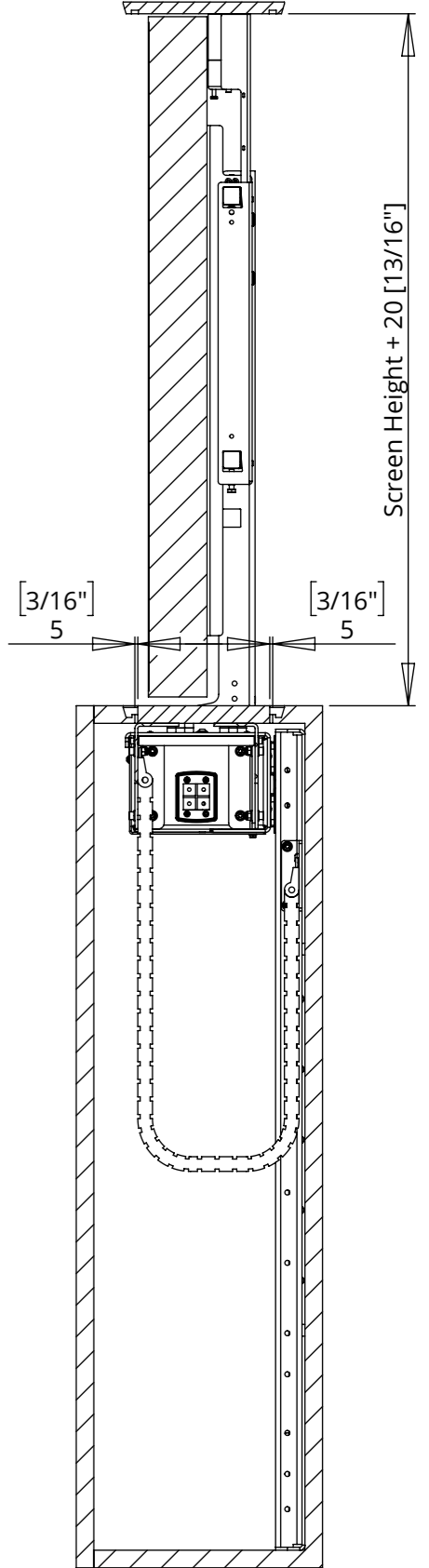
$[3 \frac{15}{16}"]$   
 100 max.  
 Screen Depth

Removable cabinet front for access for installation and servicing.

$[14 \frac{3}{16}"]$   
 360  
 Min. Internal Enclosure Depth



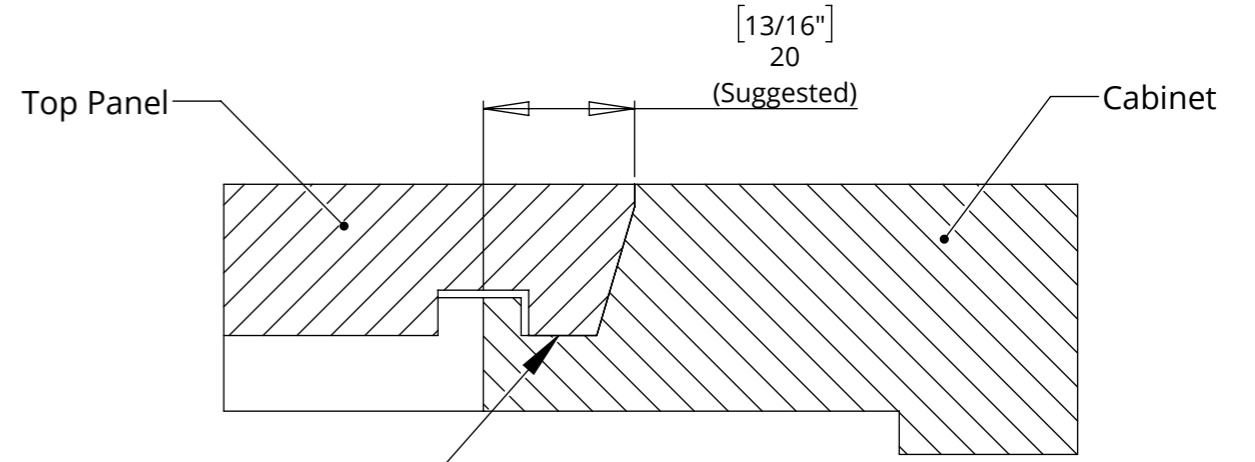
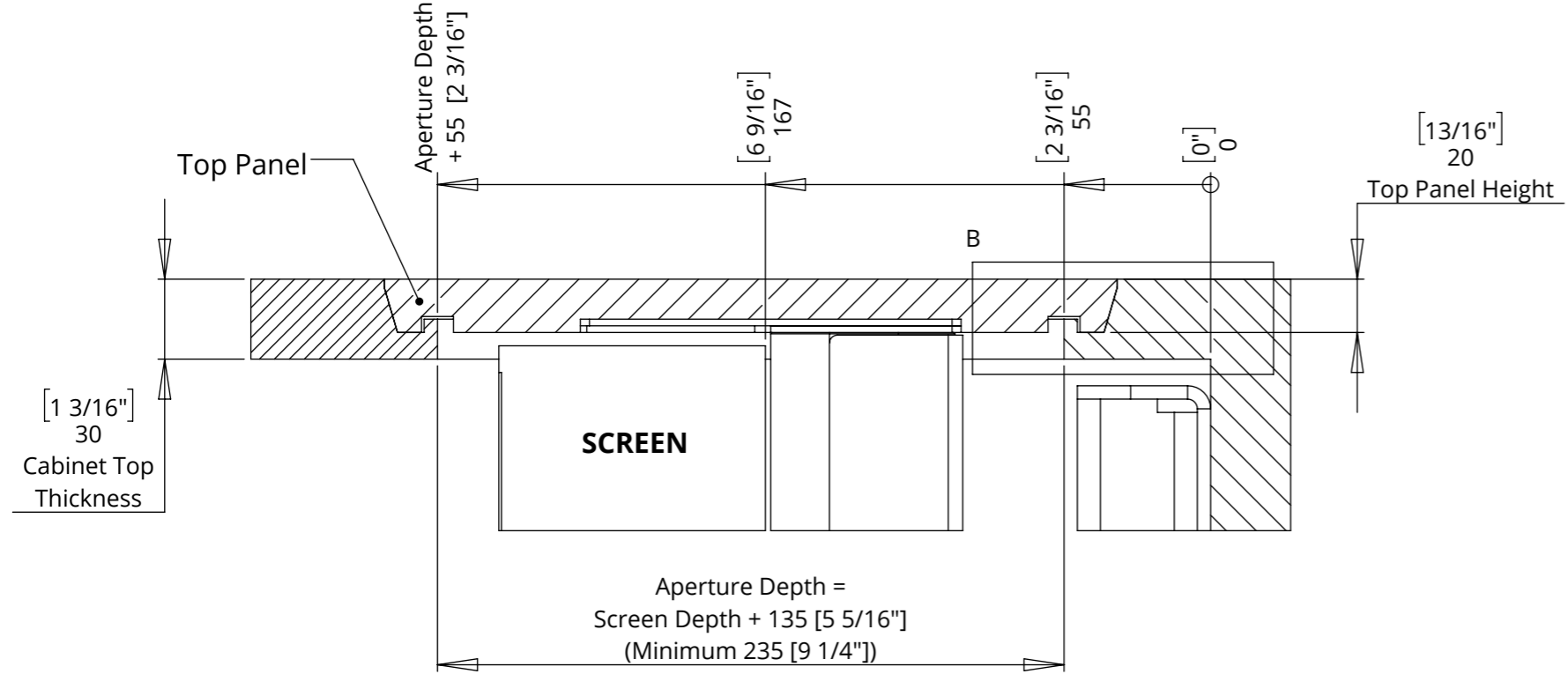
$[12 \frac{1}{16}"]$   
 306  
 Mechanism Depth



# LSH-8-MO

## MARINE OUTDOOR LIFT SYSTEM HEAVY

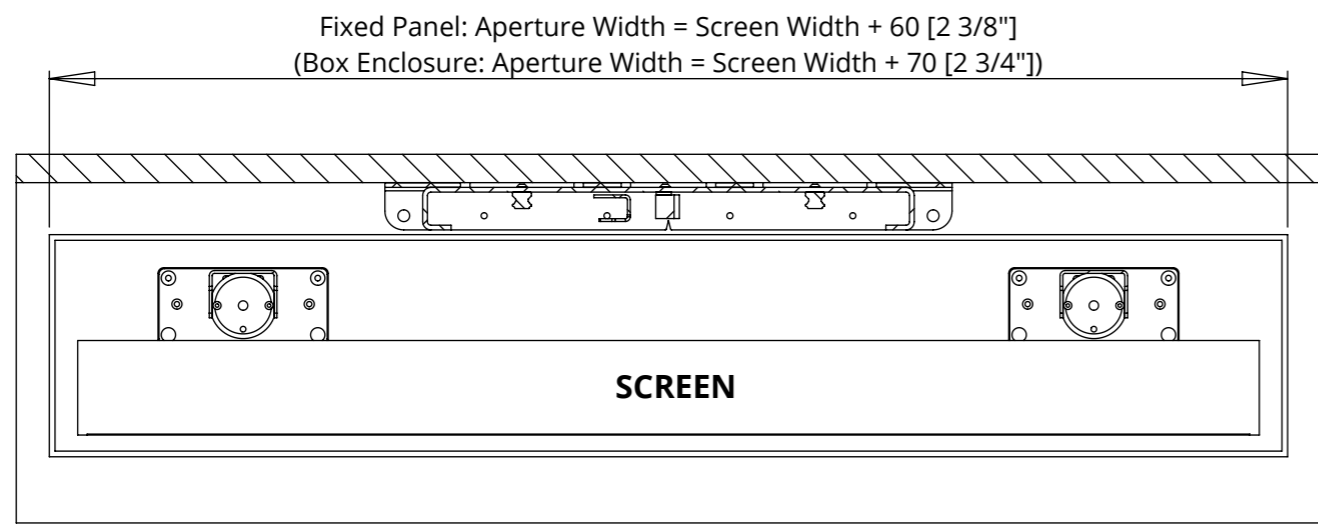
### APERTURE DETAILS



Recommended channel and rubber seals to prevent water ingress. Suitable drainage also recommended.

DETAIL B

A suggested top panel and floor surface construction based upon the dimensions shown on sheet 6.



VIEWING SIDE

# LSH-8-MO

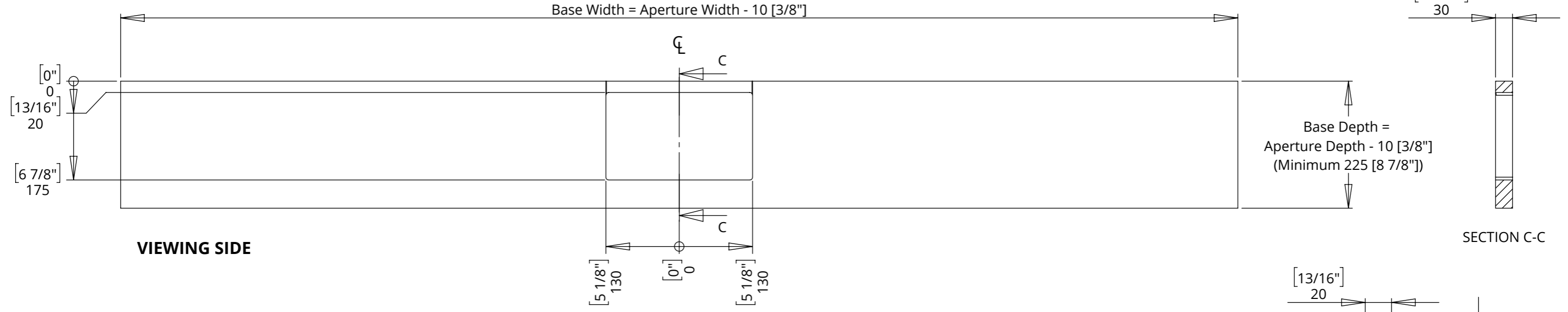
## MARINE OUTDOOR LIFT SYSTEM HEAVY



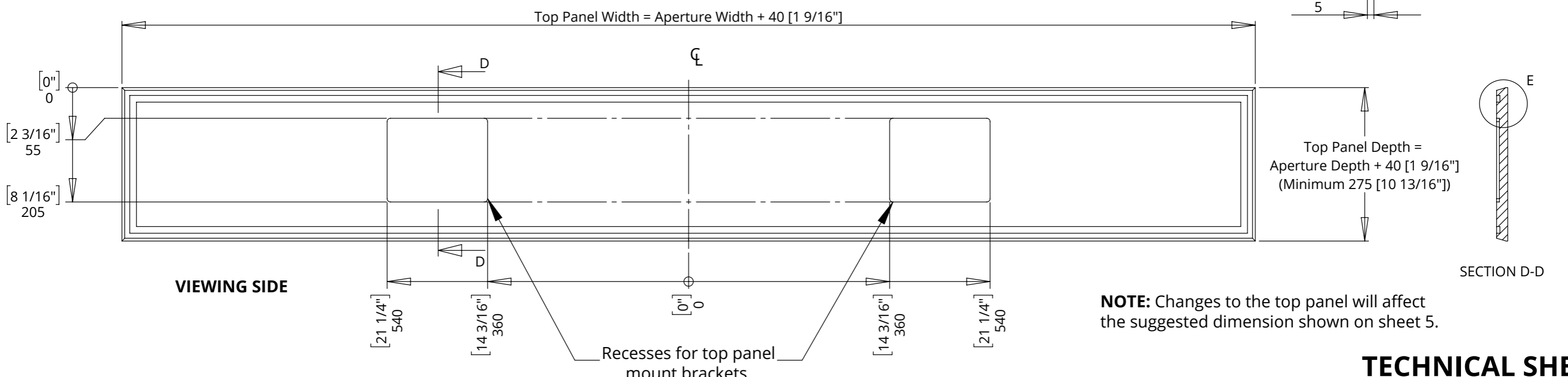
future automation

### BASE PANEL AND TOP PANEL DETAILS

#### BASE PANEL



#### TOP PANEL



**NOTE:** Changes to the top panel will affect the suggested dimension shown on sheet 5.

# LSH-8-MO

## MARINE OUTDOOR LIFT SYSTEM HEAVY

### FIXED PANEL - INTEGRATION CONSIDERATIONS



**High Risk - Crushing Hazard**  
Crush hazard between the top panel and the cabinet top when the mechanism is closing.



**Mitigation**  
The top panel is constructed to allow vertical movement in the presence of an obstruction, causing the mechanism to return to open again.



**High Risk - Crushing Hazard**  
Crush hazard at the cabinet aperture when mechanism is opening.



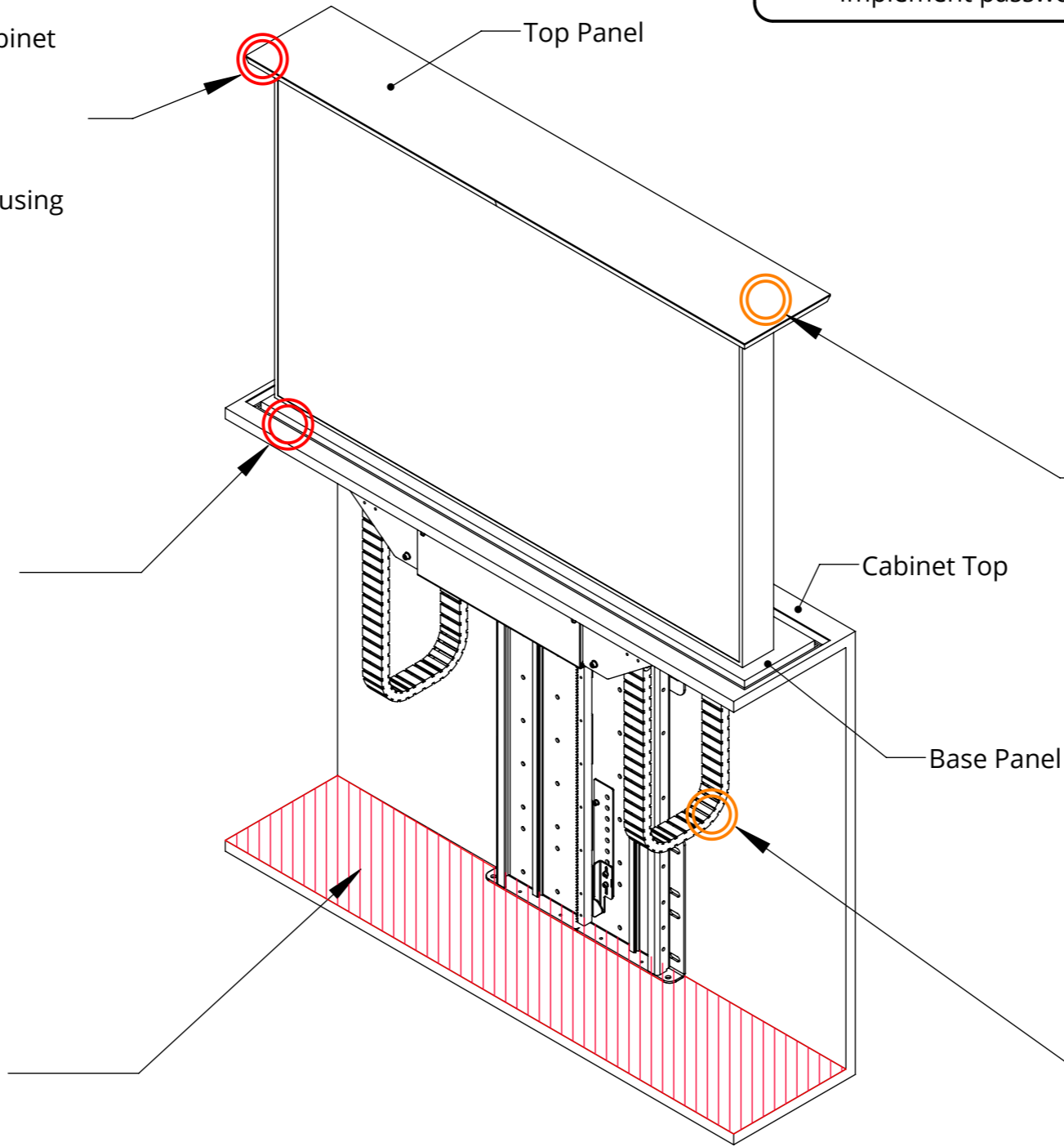
**Mitigation**  
A Tapeswitch can be installed underneath the base panel to detect any obstructions. Scan the QR code and navigate to the Cabinet Guidelines document for further details.



**High Risk - Crushing Hazard**  
Crush hazard below the mechanism when the mechanism is closing.



**Mitigation**  
Ensure the area below the mechanism is kept clear at all times when the mechanism is being used. If installing or maintaining the mechanism do so with the mechanism turned off.



**General Mitigations:**

- Activate hold-to-run/dead-man switch operation.
- Locate controls within direct line of sight of the mechanism.
- Implement password or key switch protected operation.



**Low Risk - Falling Objects Hazard**  
Falling object hazard if objects are left on top of the top panel.



**Mitigation**  
See general mitigations.



**Low Risk - Crushing Hazard**  
Cables could be snagged if not properly managed through and around the mechanism, causing damage to the mechanism and electronics.



**Mitigation**  
Ensure sufficient cable slack is allowed around movement joints to prevent stretching and/or damage to the cables and/or mechanism.

The installer is responsible for conducting a site-specific risk assessment. Due to the unique conditions of each installation, Future Automation cannot provide an exhaustive list of all potential risks. Installers must ensure that all risks associated with installation, operation, and maintenance are identified and mitigated in accordance with applicable legislation and best practice. Further safety and servicing guidance is available at: [www.futureautomation.net/safety](http://www.futureautomation.net/safety)



# LSH-8-MO

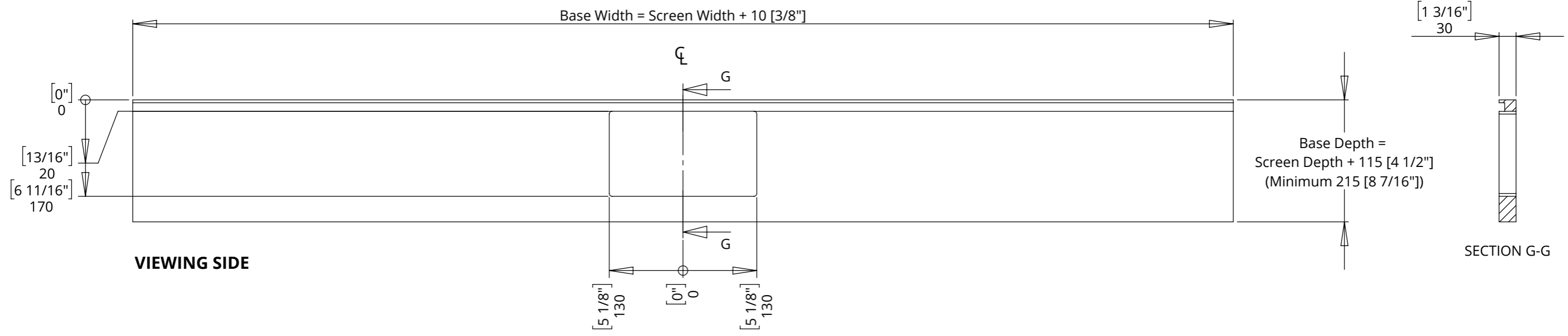
## MARINE OUTDOOR LIFT SYSTEM HEAVY

### BOX ENCLOSURE - BOX ENCLOSURE BASE AND TOP SAFETY PANEL DETAILS

#### TOP PANEL

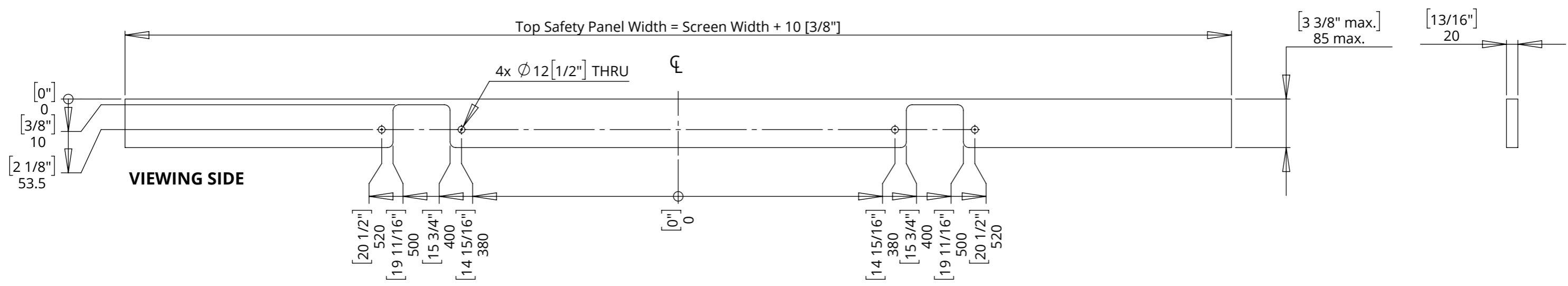
For top panel dimensions, please see sheet 6.

#### BOX ENCLOSURE BASE



Base thickness to be equal to or larger than the cabinet thickness.

#### TOP SAFETY PANEL



# LSH-8-MO

## MARINE OUTDOOR LIFT SYSTEM HEAVY

### BOX ENCLOSURE - INTEGRATION CONSIDERATIONS



**High Risk - Crushing Hazard**  
Crush hazard between the top panel and the cabinet top as the lift closes.



**Mitigation**  
The top panel is constructed to allow vertical movement in the presence of an obstruction, causing the mechanism to return to open again.



**Low Risk - Crushing Hazard**  
Crush hazard at the cabinet aperture when mechanism is opening.



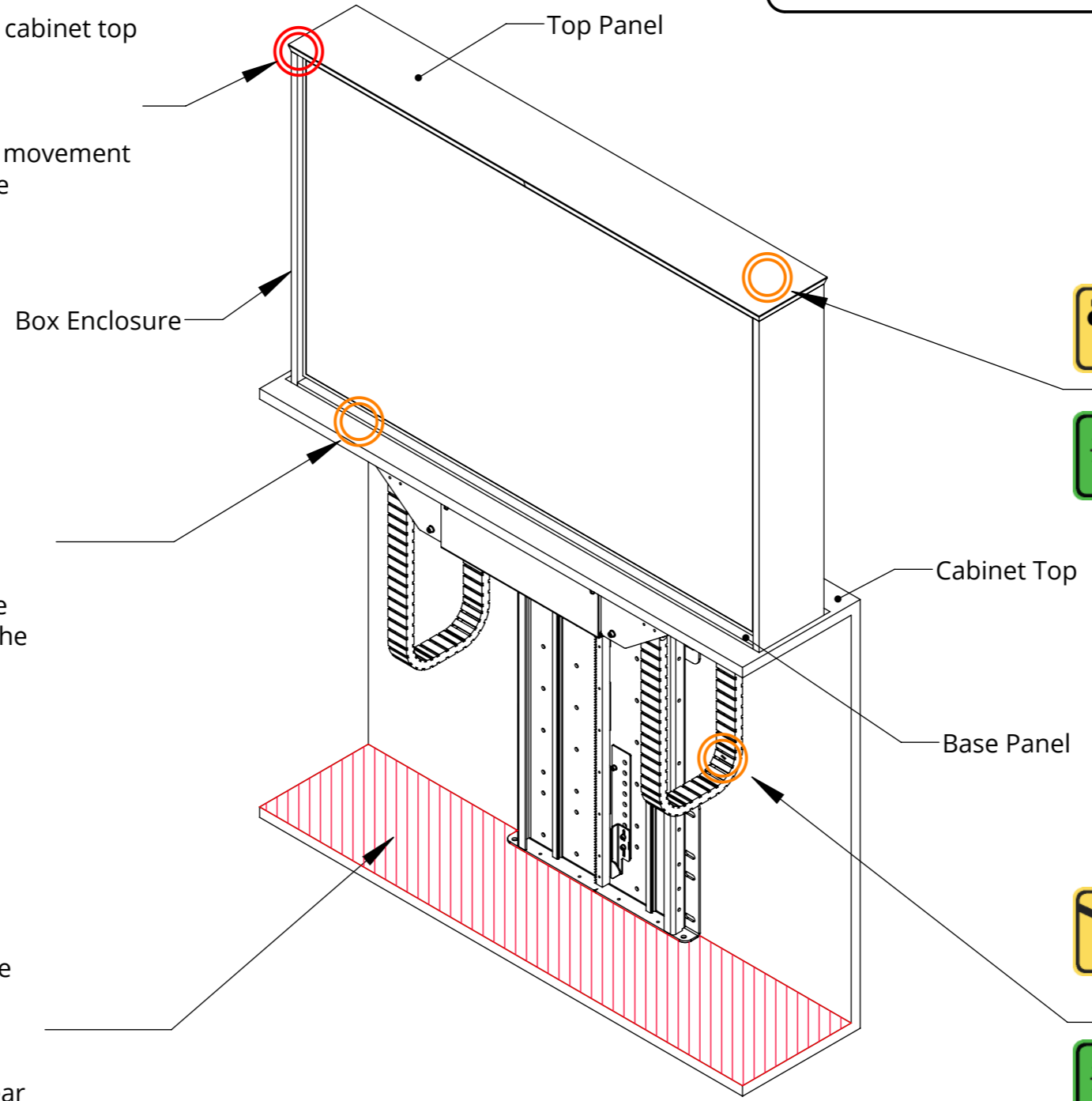
**Mitigation**  
A Tapeswitch can be installed underneath the base panel to detect any obstructions. Scan the QR code and navigate to the Cabinet Safety document for further details.



**High Risk - Crushing Hazard**  
Crush hazard below the mechanism when the mechanism is closing.



**Mitigation**  
Ensure area below the mechanism is kept clear at all times when the mechanism is being used. If installing or maintaining the mechanism do so with the mechanism turned off.



**General Mitigations:**

- Activate hold-to-run/dead-man switch operation.
- Locate controls within direct line of sight of the mechanism.
- Implement password or key switch protected operation.



**Low Risk - Falling Objects Hazard**  
Falling object hazard if objects are left on top of the top panel.



**Mitigation**  
See general mitigations.



**Low Risk - Crushing Hazard**  
Cables could be snagged if not properly managed through and around the mechanism, causing damage to the mechanism and electronics.



**Mitigation**  
Ensure sufficient cable slack is allowed around movement joints to prevent stretching and/or damage to the cables and/or mechanism.

The installer is responsible for conducting a site-specific risk assessment. Due to the unique conditions of each installation, Future Automation cannot provide an exhaustive list of all potential risks. Installers must ensure that all risks associated with installation, operation, and maintenance are identified and mitigated in accordance with applicable legislation and best practice. Further safety and servicing guidance is available at: [www.futureautomation.net/safety](http://www.futureautomation.net/safety)

# LSH-8-MO

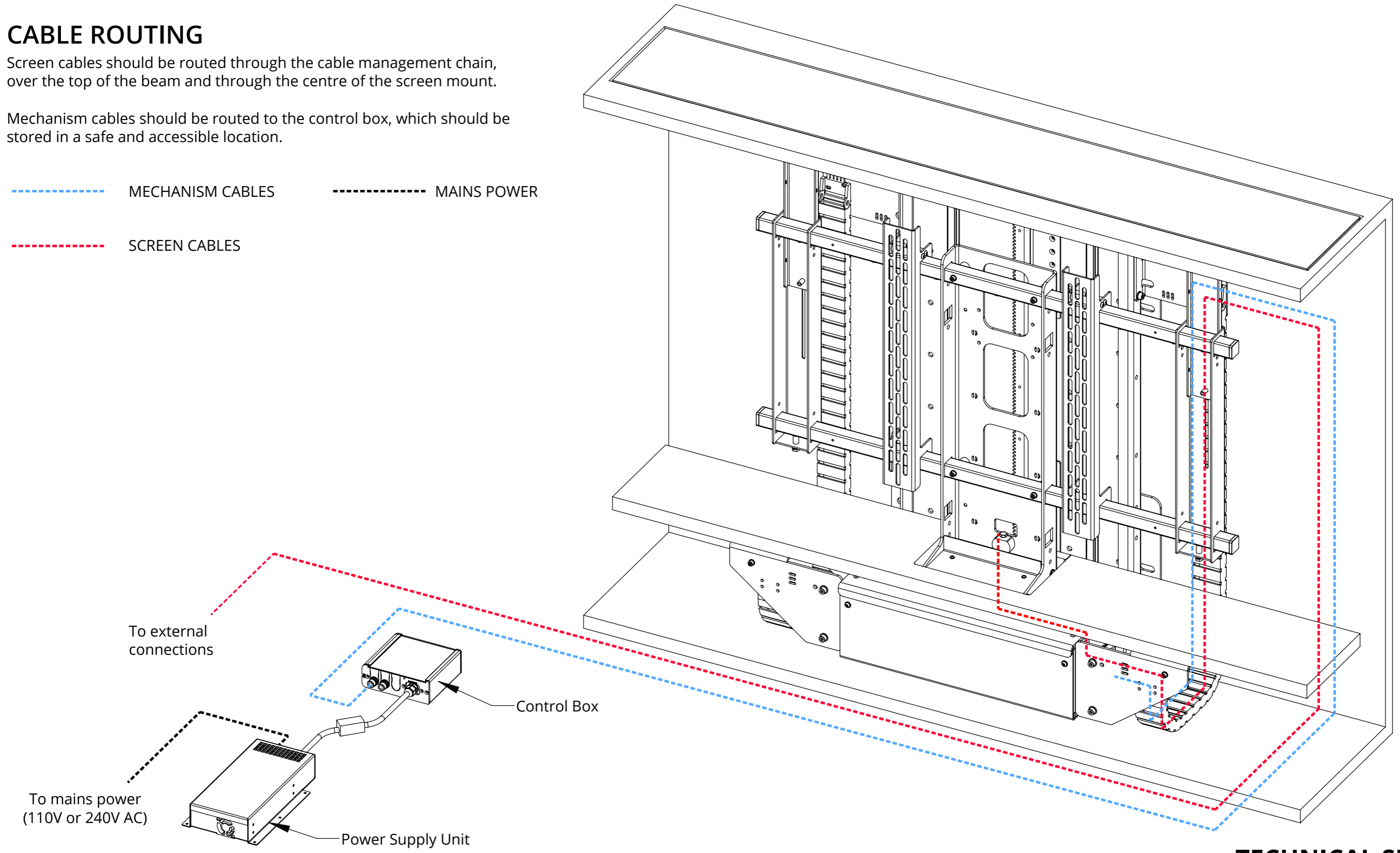
## MARINE OUTDOOR LIFT SYSTEM HEAVY

### CABLE ROUTING

Screen cables should be routed through the cable management chain, over the top of the beam and through the centre of the screen mount.

Mechanism cables should be routed to the control box, which should be stored in a safe and accessible location.

- MECHANISM CABLES
- SCREEN CABLES
- MAINS POWER



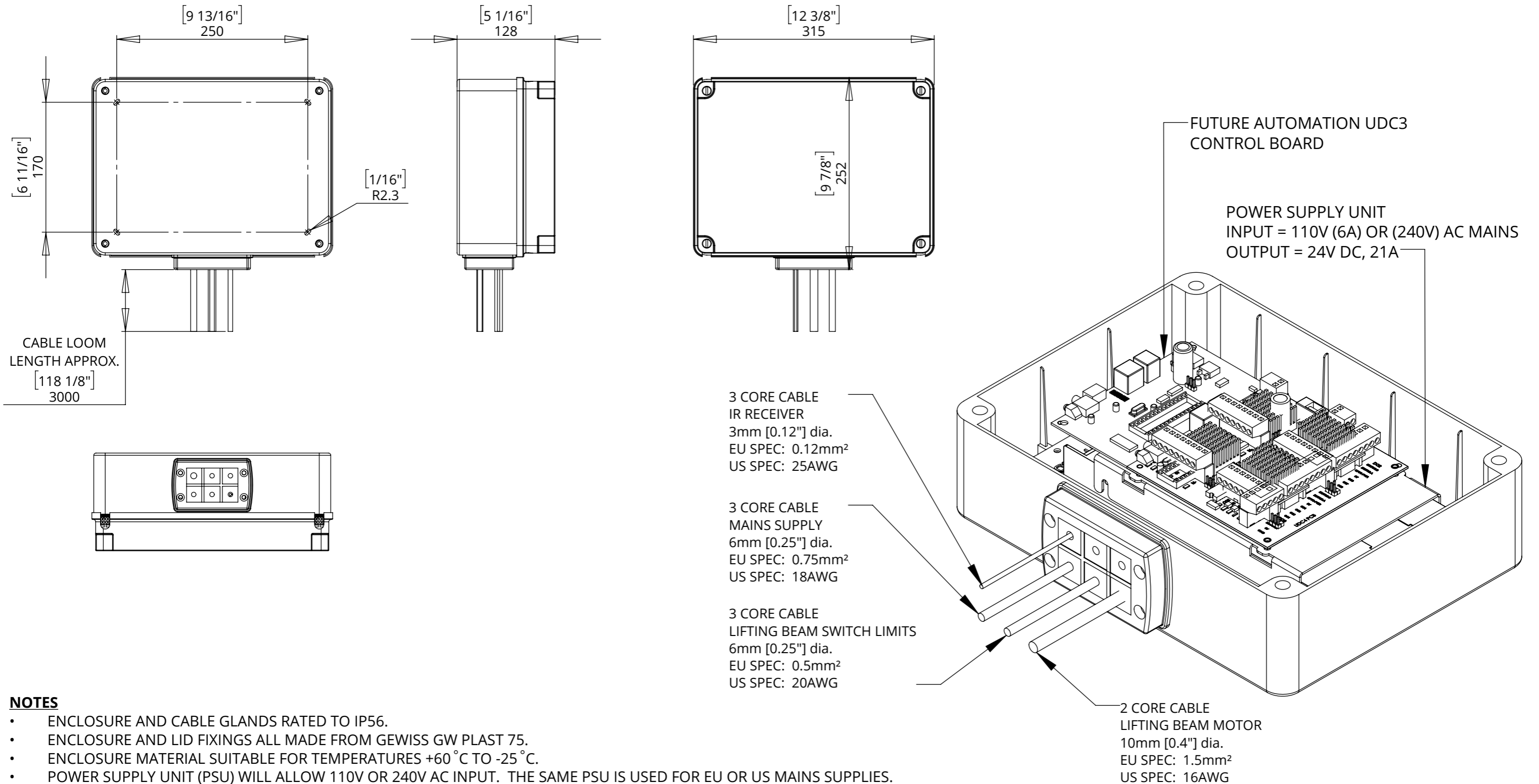
# LSH-8-MO

## MARINE OUTDOOR LIFT SYSTEM HEAVY



future automation

### CONTROL BOX DETAILS



#### NOTES

- ENCLOSURE AND CABLE GLANDS RATED TO IP56.
- ENCLOSURE AND LID FIXINGS ALL MADE FROM GEWISS GW PLAST 75.
- ENCLOSURE MATERIAL SUITABLE FOR TEMPERATURES +60 °C TO -25 °C.
- POWER SUPPLY UNIT (PSU) WILL ALLOW 110V OR 240V AC INPUT. THE SAME PSU IS USED FOR EU OR US MAINS SUPPLIES.
- OTHER THAN CONTROL CABLES, ALL CABLES TERMINATE AT CONTROL BOARD VIA STANDARD PHOENIX CONNECTORS.
- CABLE LOOM LENGTH SUPPLIED AT APPROX. 3m [118"]. LOOM CAN BE EXTENDED UP TO MAXIMUM OF APPROX. 10m [400"].
- MINIMUM CABLE BEND RADIUS 25mm [1"].

UK +44 (0) 1438 833577 US +1 (603) 742 9181

www.FUTUREAUTOMATION.NET

TECHNICAL SHEET

ISSUE 001  
SHEET 12