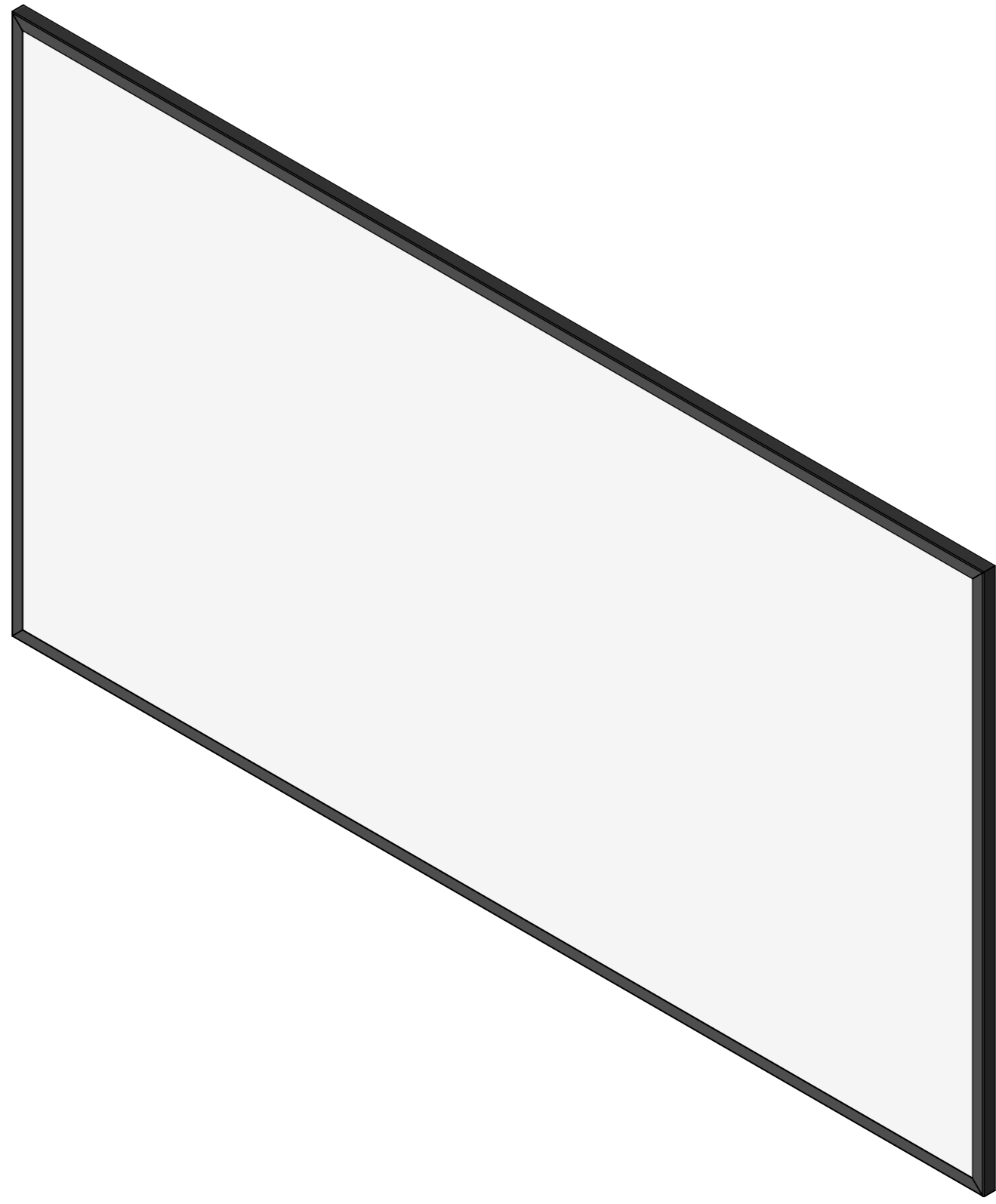


LUMA SCOPE SLIM

FIXED FRAME PROJECTOR SCREEN



future automation



LUMA SCOPE SLIM

FIXED FRAME PROJECTOR SCREEN

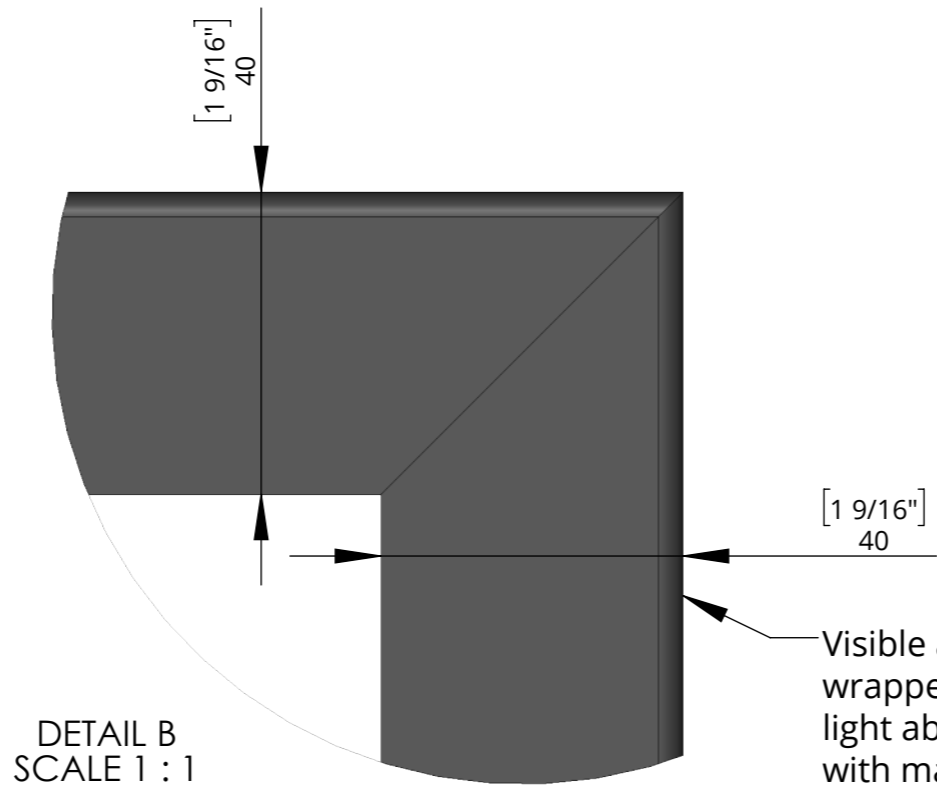
LUMA SCOPE SLIM

40mm Zero Edge Acoustically Transparent Fixed Frame Projection Screen.

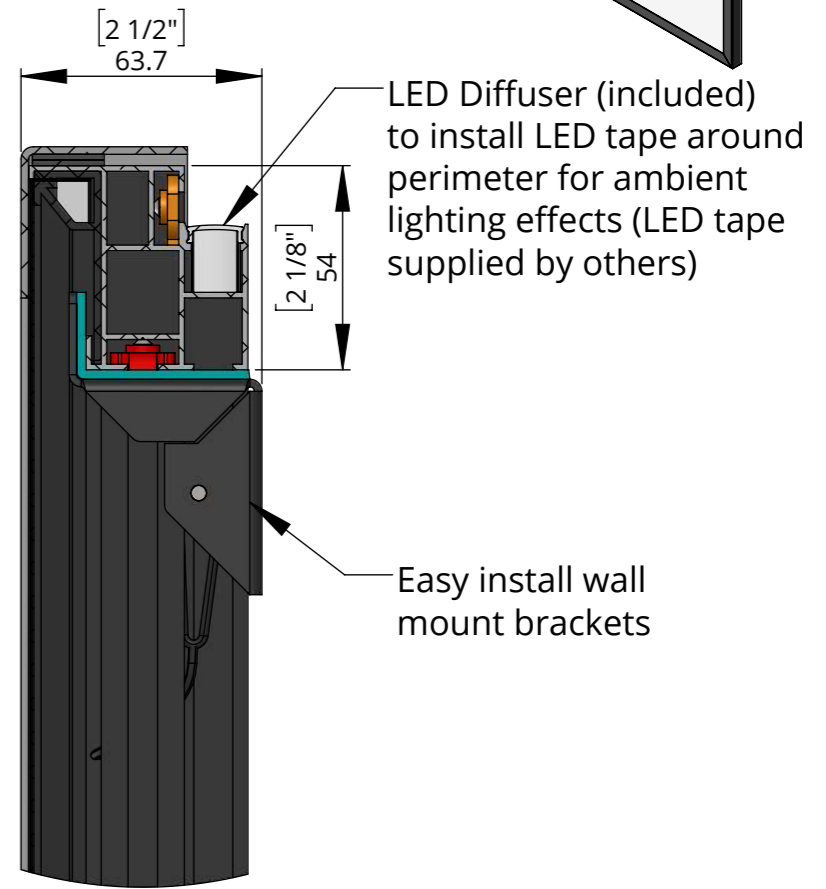
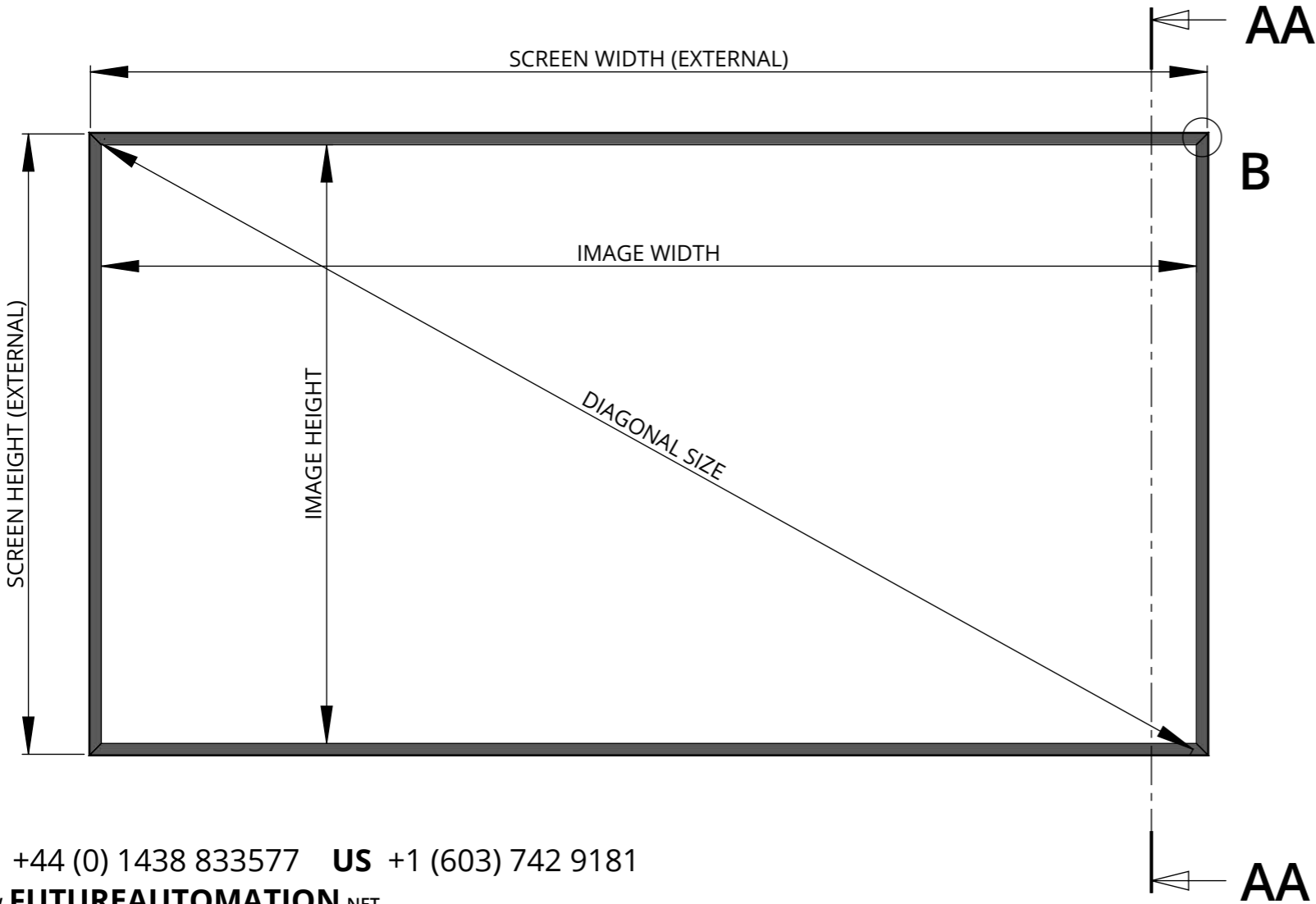
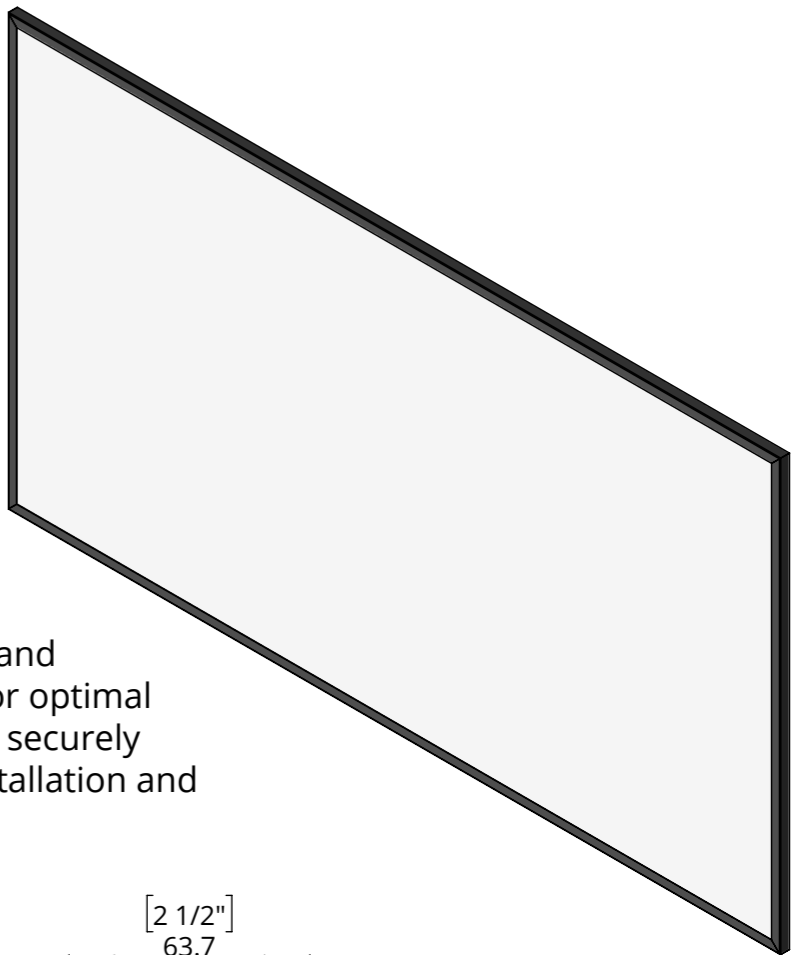
Offering a balanced bezel size with a 40mm [1 9/16"] magnetically mounted velvet covers for a refined, low profile appearance.

Designed for on-wall installation, it includes space for LED tape around the perimeter for ambient LED lighting, enhancing the visual focus.

The woven acoustically transparent screen material allows speakers to be mounted direct behind the image area allowing for full cinematic experience without loss of audio quality.



Visible aluminium trims hand wrapped in black velvet for optimal light absorption mounted securely with magnets for easy installation and servicing.



LUMA SCOPE SLIM FIXED FRAME PROJECTOR SCREEN

MATERIAL SPECIFICATIONS

Material Type:
Front Projection

Material Structure:
Woven Core with Special Coating

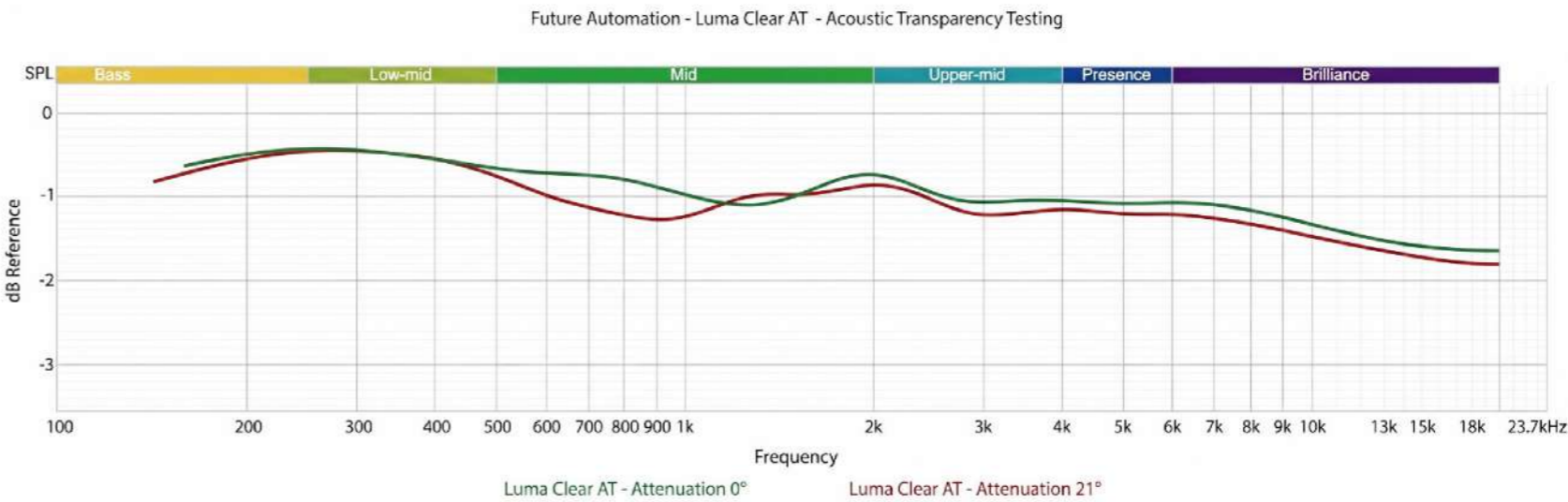
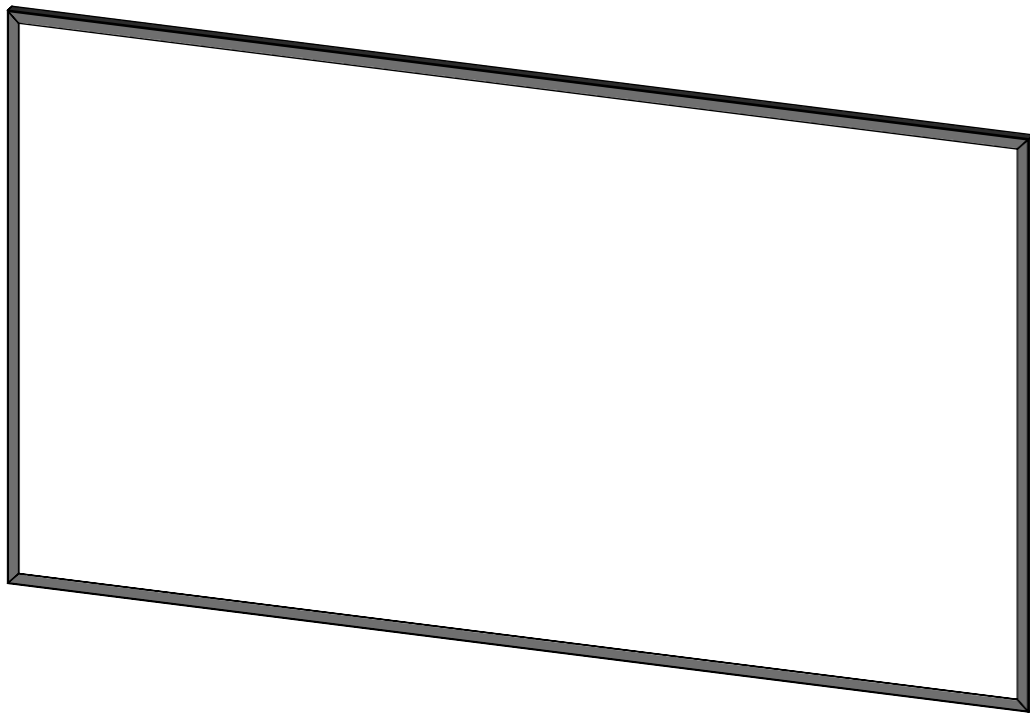
Image Gain:
0.7

Image Resolution:
4K / 8K

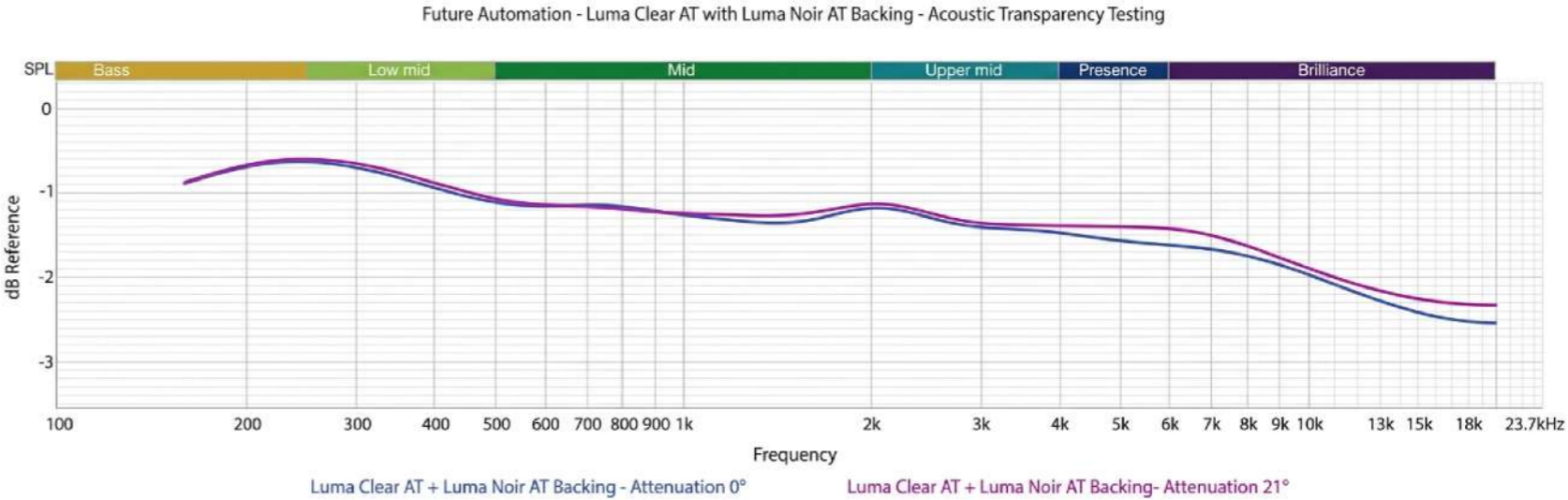
Acoustic Transparency (Luma Clear AT):
1.3dB of Acoustic Loss Between 10kHz and 20kHz

Acoustic Transparency (Luma Clear AT with Luma Noir AT Backing)
1.7dB of Acoustic Loss Between 10kHz and 20kHz

Flame Resistant?:
Yes



Acoustical transparency is tested with industry-standard insertion-loss measurements. A reference SPL measurement is taken without the fabric, then repeated with the fabric (and optional LUMA NOIR AT backing) in the acoustic path. The difference is plotted as attenuation in dB. Measurements are performed at both 0° (on-axis) and 21° (off-axis) incidence to simulate real-world speaker placement. The results shown above are the deviations from the flat-line reference response. Loss caused by the screen is indicated as a dB change between 10kHz and 20kHz, and we also indicate exact dB loss at specific frequencies from 1kHz to 20kHz.



Acoustical transparency is tested with industry-standard insertion-loss measurements. A reference SPL measurement is taken without the fabric, then repeated with the fabric (and optional LUMA NOIR AT backing) in the acoustic path. The difference is plotted as attenuation in dB. Measurements are performed at both 0° (on-axis) and 21° (off-axis) incidence to simulate real-world speaker placement. The results shown above are the deviations from the flat-line reference response. Loss caused by the screen is indicated as a dB change between 10kHz and 20kHz, and we also indicate exact dB loss at specific frequencies from 1kHz to 20kHz.

LUMA SCOPE SLIM FIXED FRAME PROJECTOR SCREEN

CONSTRUCTION OVERVIEW

Rigid, lightweight aluminium construction with integrated LED tape channel and diffuser and a fabric gripping system.

Shipped flat packed and designed to assemble the frame easily with minimal tools, mount to the wall and then quickly install and stretch the fabric off the floor minimizing exposure to dirt and dust and potential damage during installation.

