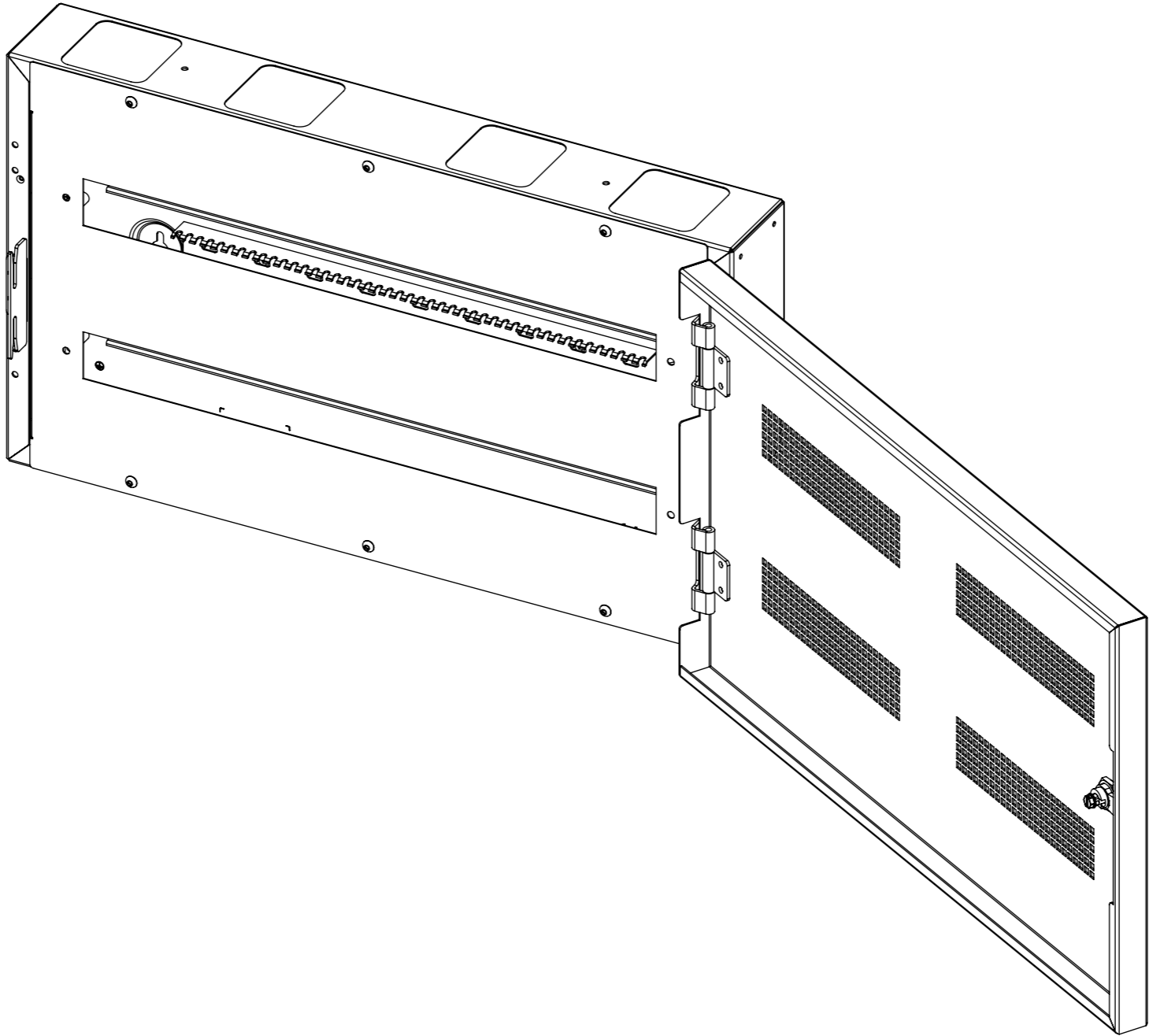


# LXN 2RE

## LOXONE - 2 RAIL EXPANSION



future automation



# LXN 2RE

## LOXONE - 2 RAIL EXPANSION

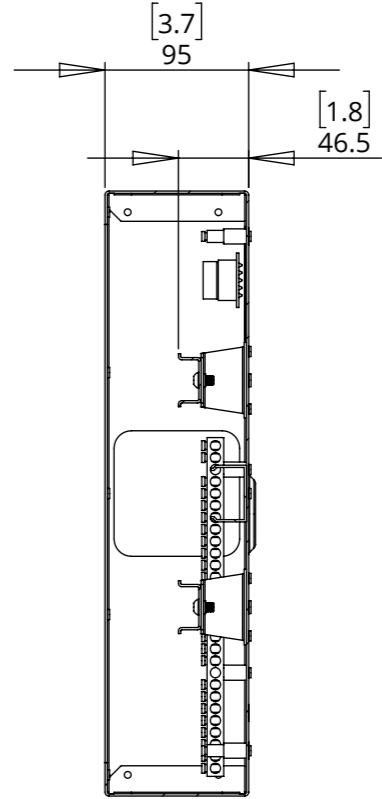
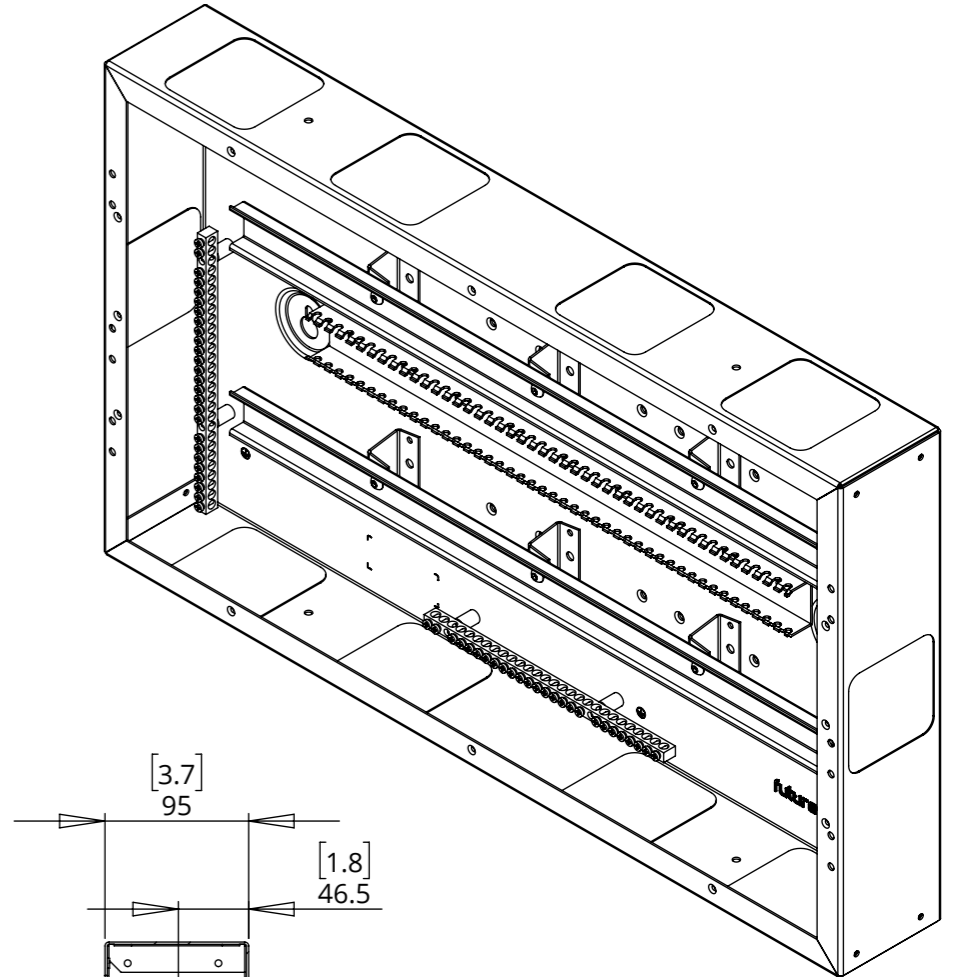
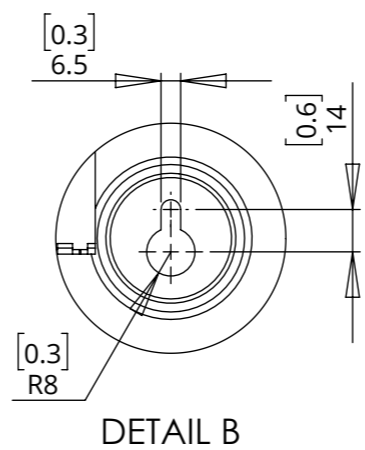
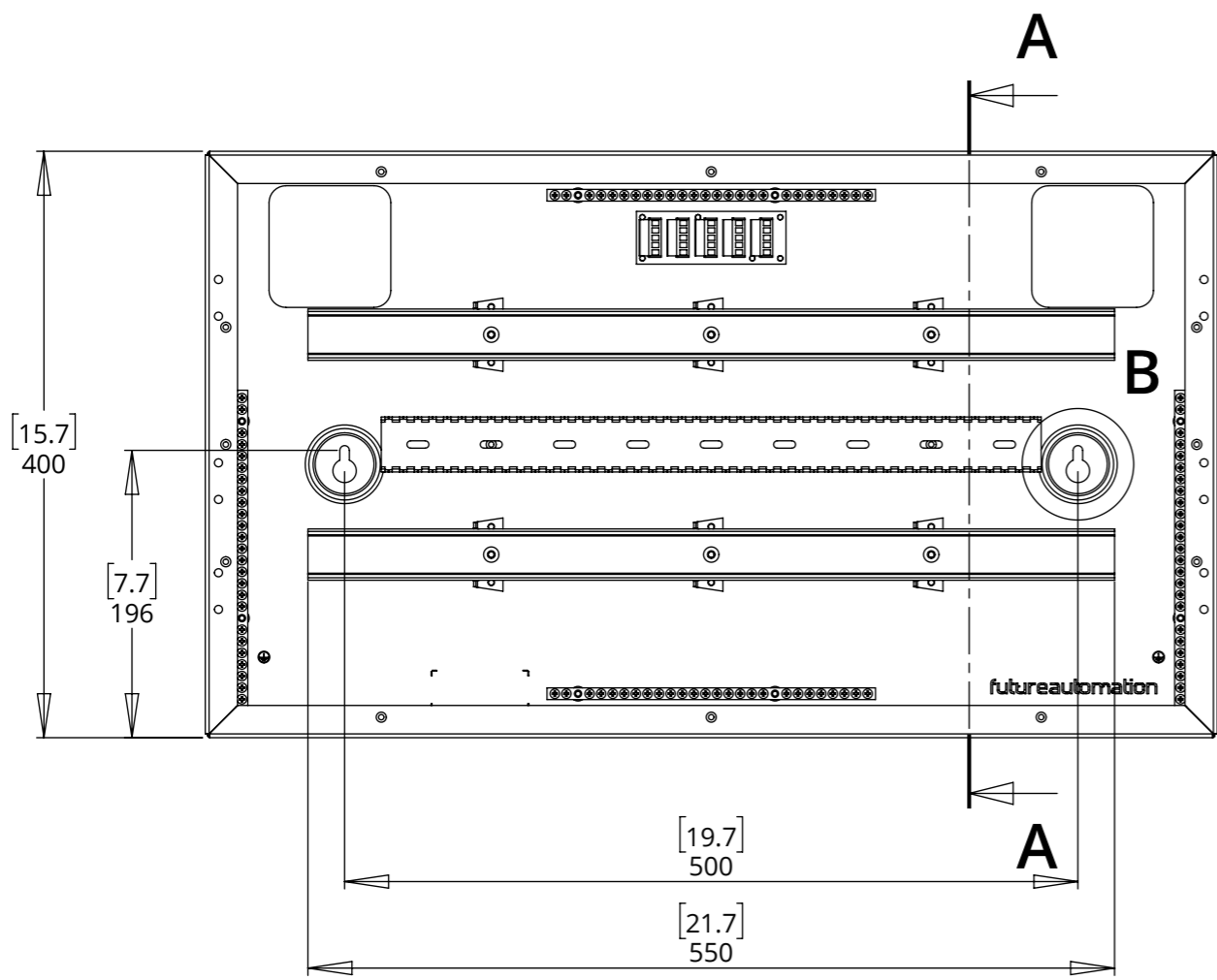
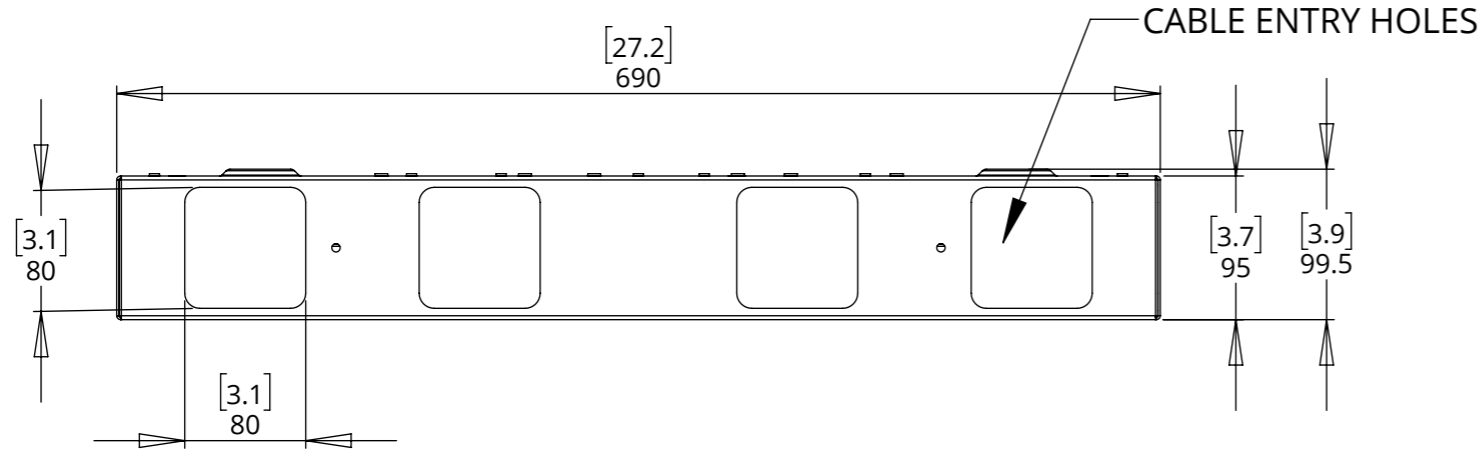


SPECIFICATION	MEASUREMENTS
Product Dimensions	400mm (15.7") x 690mm (27.2") x 141.5mm (5.6")
Number of DIN Rails	2
Finish (Custom Available)	Lid - Black Textured Paint, Box - Galvanised Steel
Depth From Wall	141.5mm (5.6")
Wall Mount Type	80mm (3.1") Keyhole Slots
Shipping Dimensions	540mm (21.3") x 840mm (33.0") x 210 (8.3")
Shipping Weight	11Kg (24lbs)

# LXN 2RE

## LOXONE - 2 RAIL EXPANSION

### ENCLOSURE DIMENSIONS

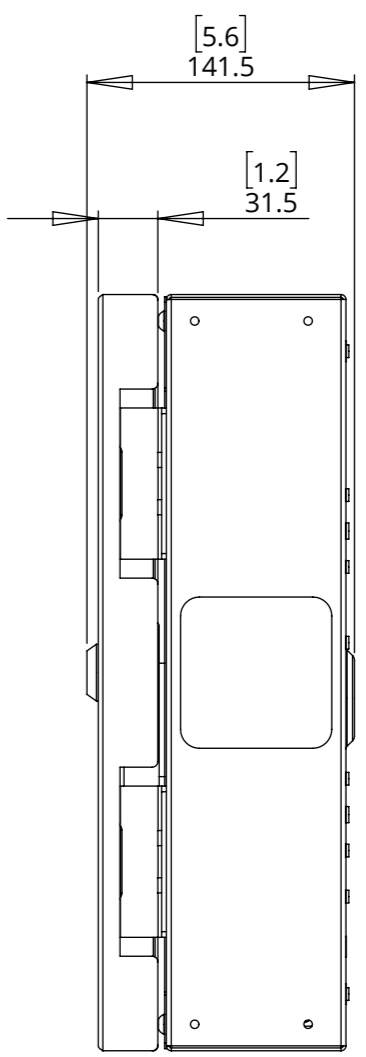
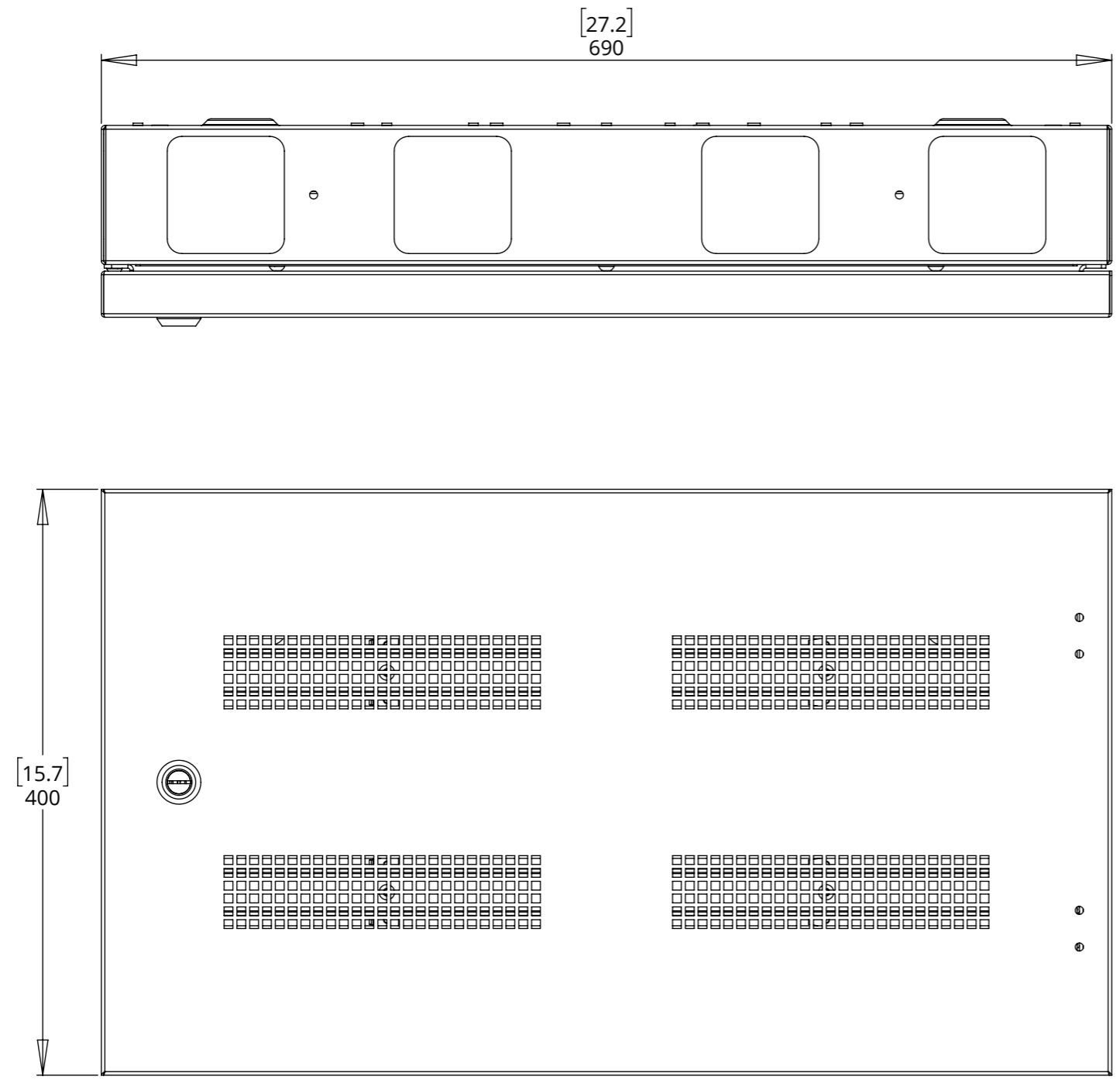


SECTION A-A

# LXN 2RE

## LOXONE - 2 RAIL EXPANSION

### OVERALL DIMENSIONS



# LXN 2RE

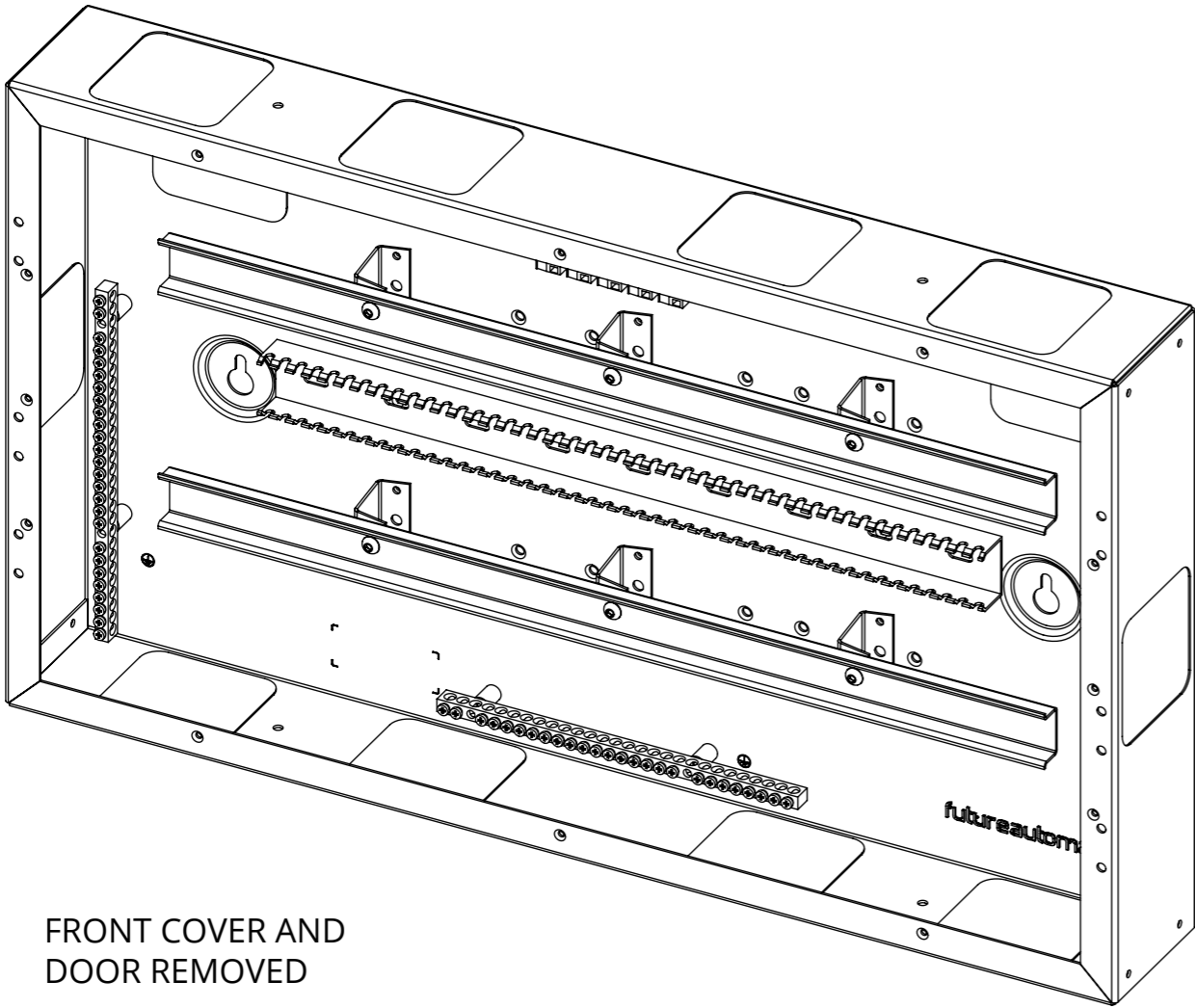
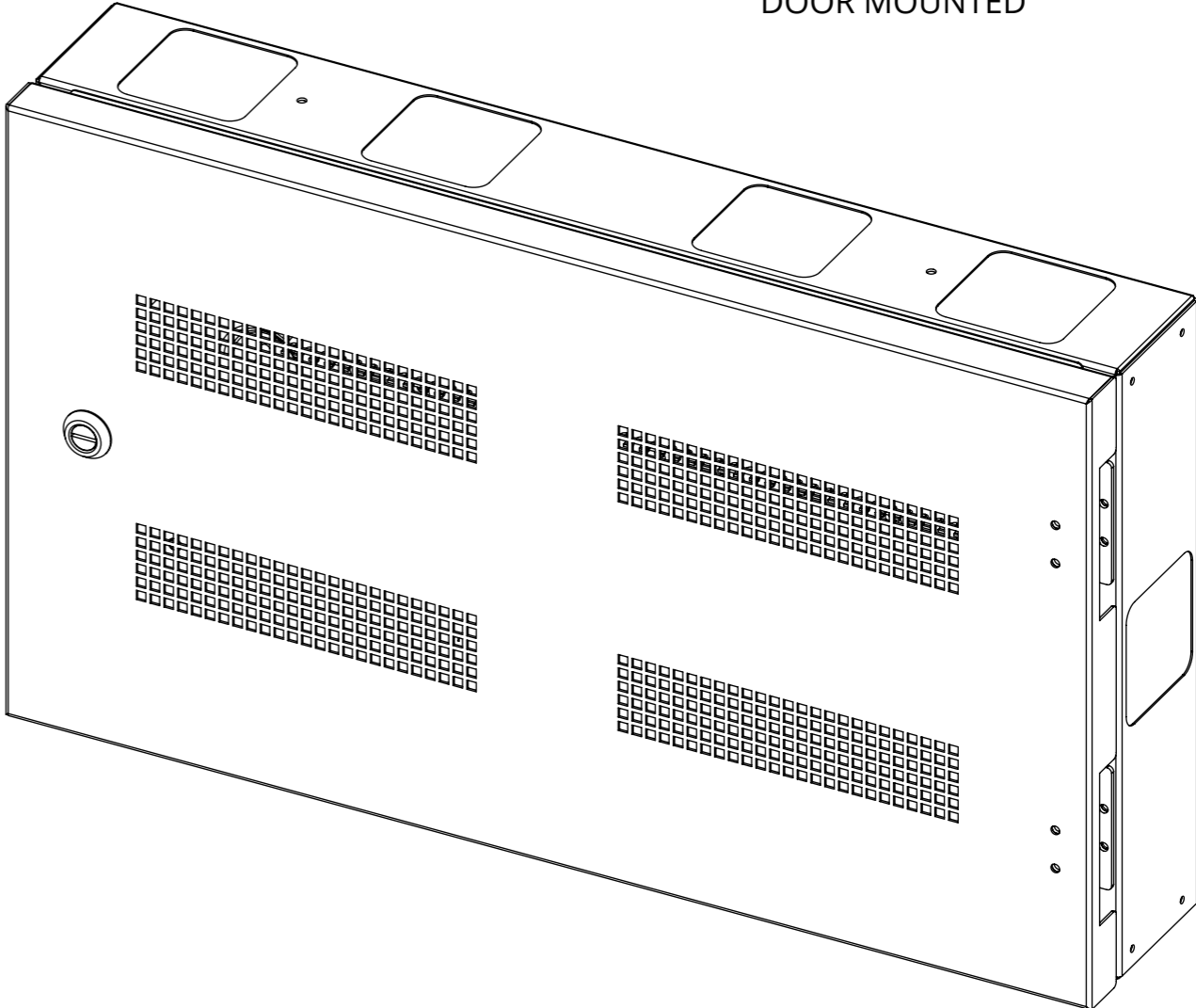
## LOXONE - 2 RAIL EXPANSION



future automation

### PANEL BOX LAYOUT

FRONT COVER AND DOOR MOUNTED



FRONT COVER AND DOOR REMOVED

# LXN 2RE

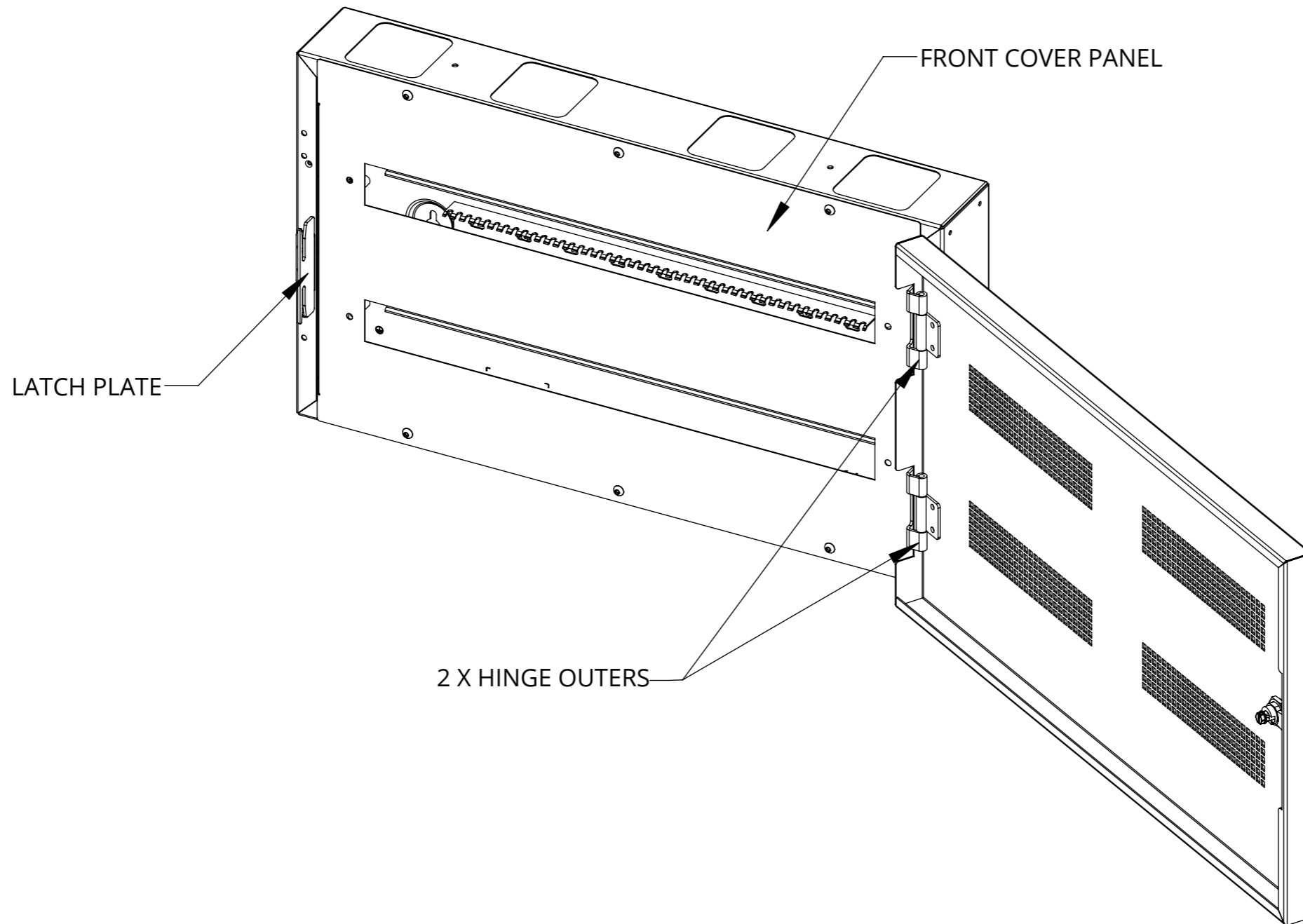
## LOXONE - 2 RAIL EXPANSION



### REVERSIBLE DOOR OVERVIEW

Door shown opening towards the right hand side.

In order to switch to left hand side opening, simply remove front cover panel and swap latch plate and hinge outers over.



# LXN 2RE

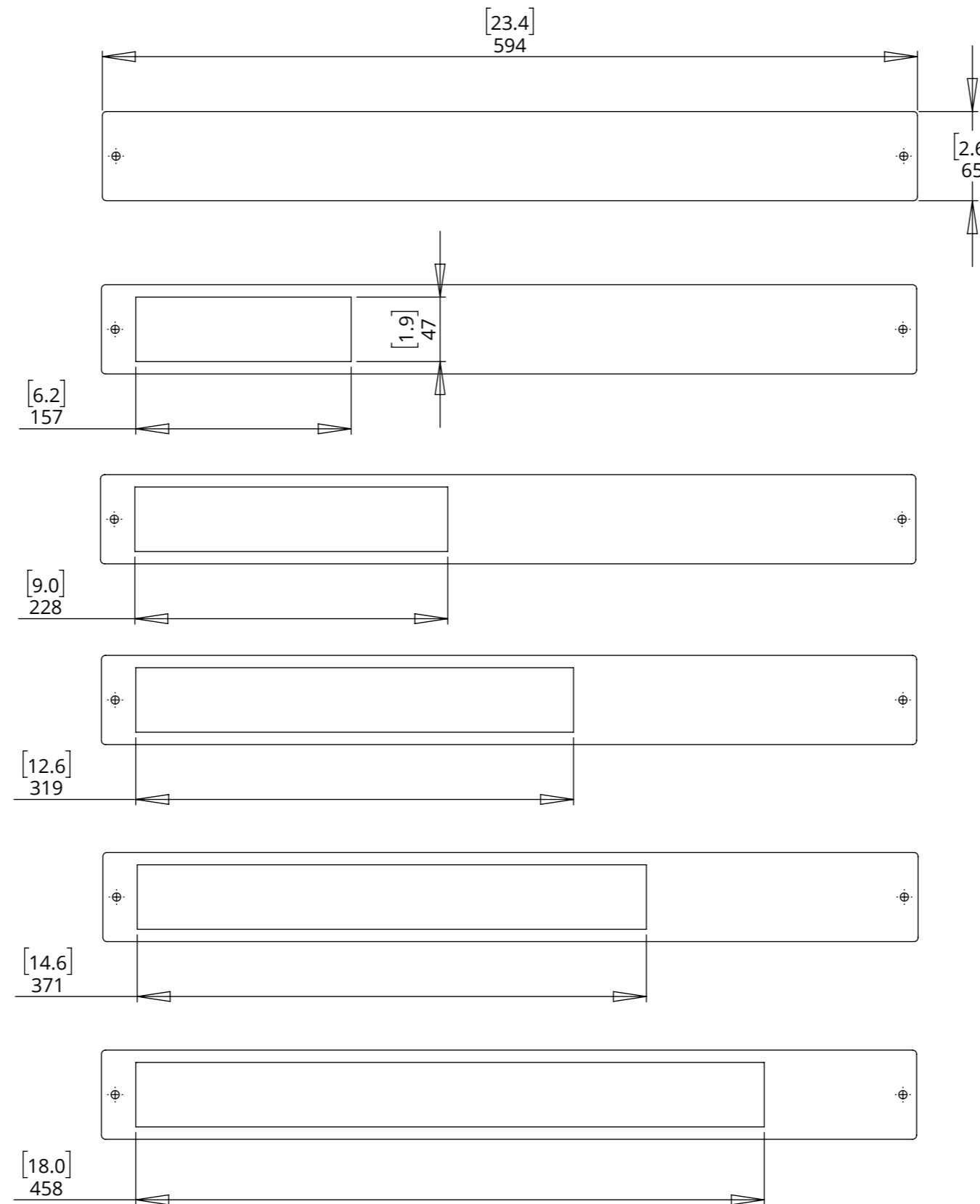
## LOXONE - 2 RAIL EXPANSION



### BLANKING PANELS

Different size blanking panels available as shown.

Allows for neat finishing with different set ups of breakers, modules and terminal blocks.



# LXN 2RE

## LOXONE - 2 RAIL EXPANSION



### EXAMPLE INSTALLATION

Example below shows LXN 2RE fitted above LXN 5 for module expansion and/or panel termination.

LXN 2RE can be mounted below main LXN enclosure and door can be reversed to suit.

