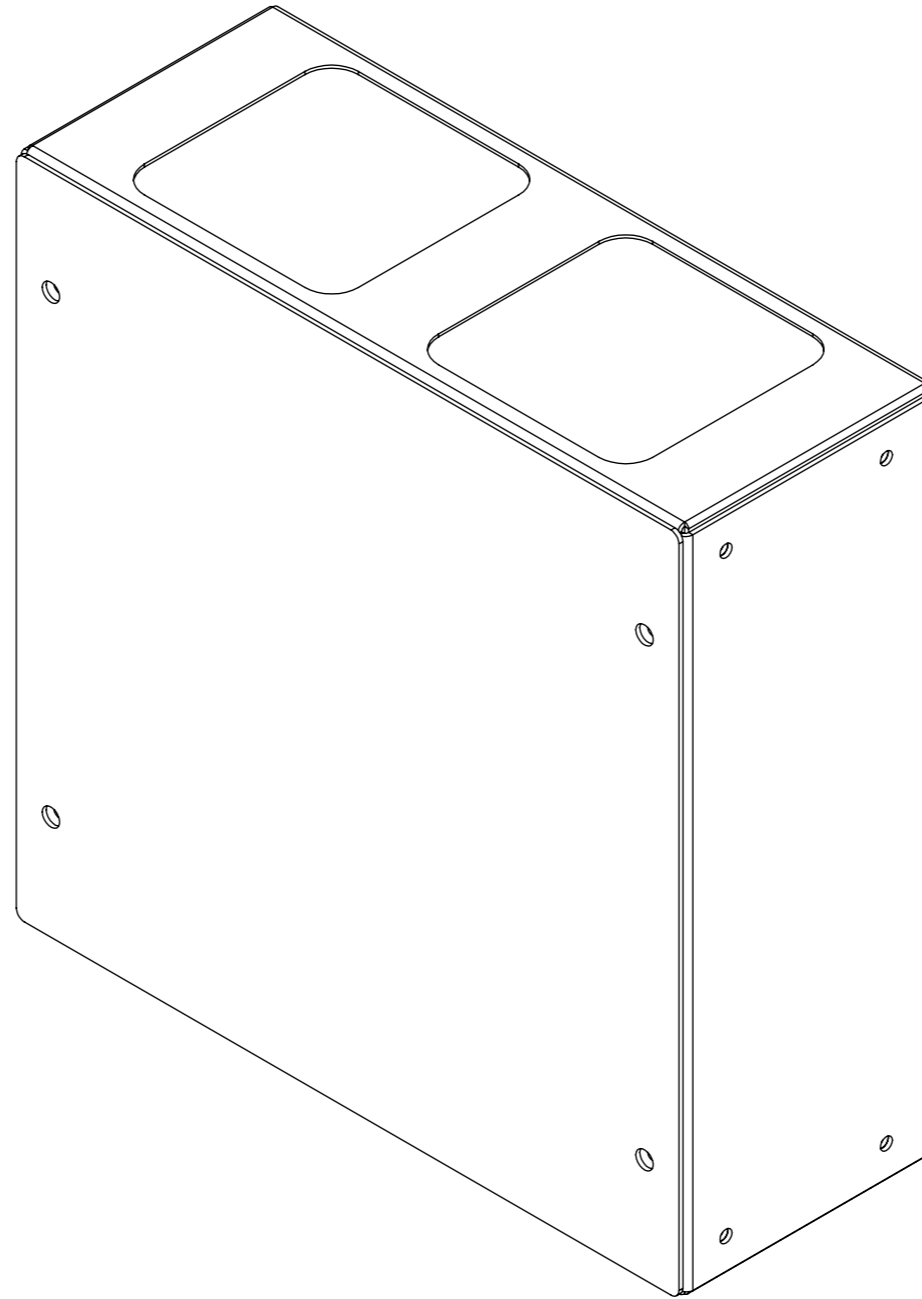


# LXN PB

## LOXONE - POWER BOX



future automation



# LXN PB

## LOXONE - POWER BOX



future automation

SPECIFICATION	MEASUREMENTS
Product Dimensions	250mm (9.8") x 250mm (9.8") x 100mm (3.9")
Number of DIN Rails	1
Finish (Custom Available)	Lid - Black Textured Paint, Box - Zintec Coated Steel
Depth From Wall	100mm (3.9")
Wall Mount Type	8mm (3.1") Keyhole Slots
Shipping Dimensions	300mm (11.8") x 300mm (11.8") x 150mm (5.9")
Shipping Weight	3.5Kg (7.7lbs)

# LXN PB

## LOXONE - POWER BOX

### ENCLOSURE DIMENSIONS

