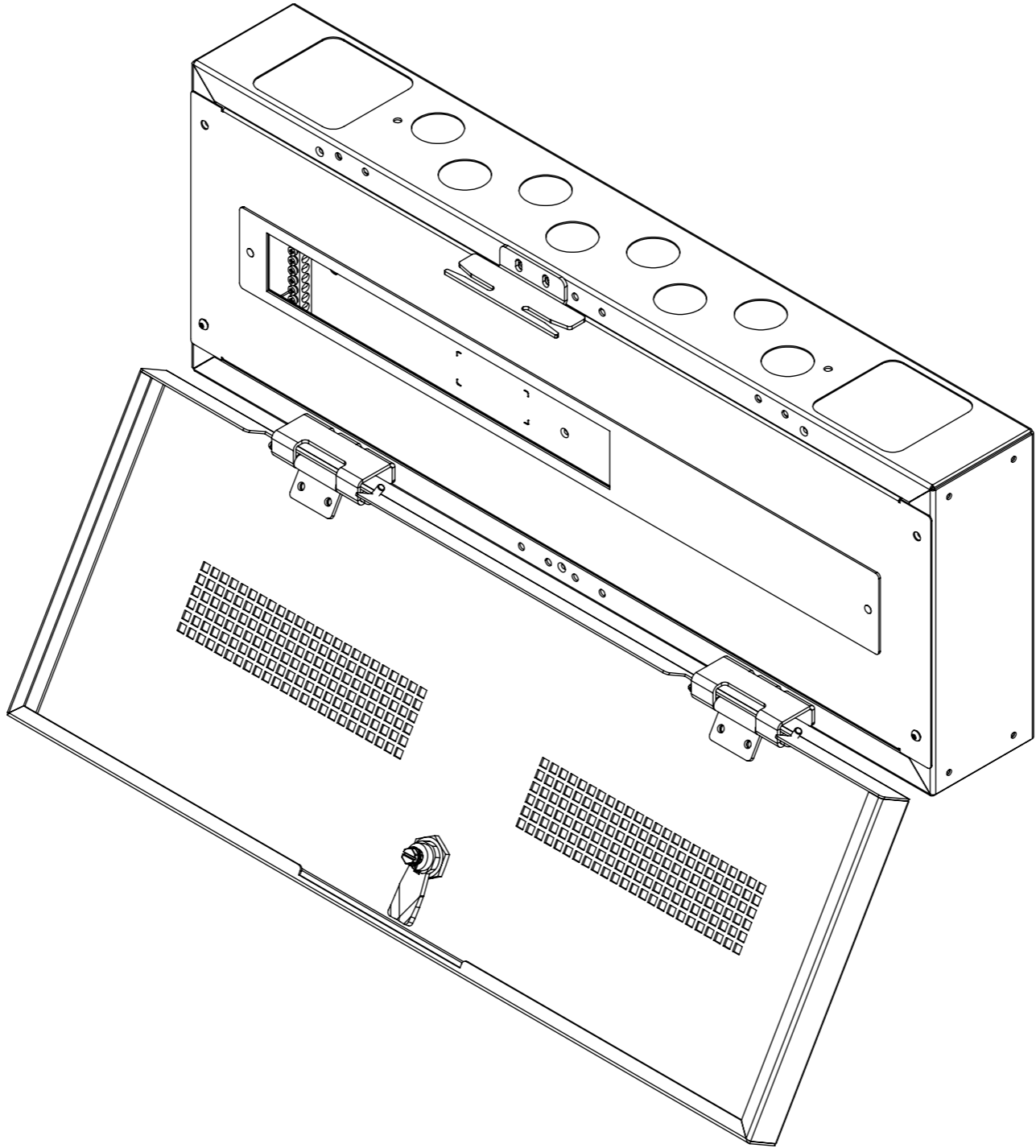


# LXN RE

## LOXONE - RAIL EXPANSION



future automation



# LXN RE

## LOXONE - RAIL EXPANSION

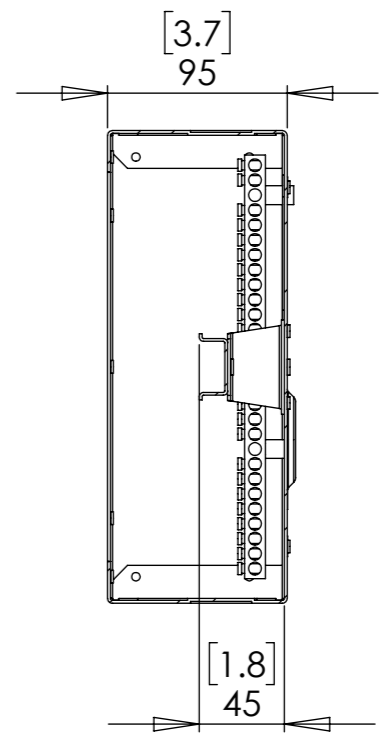
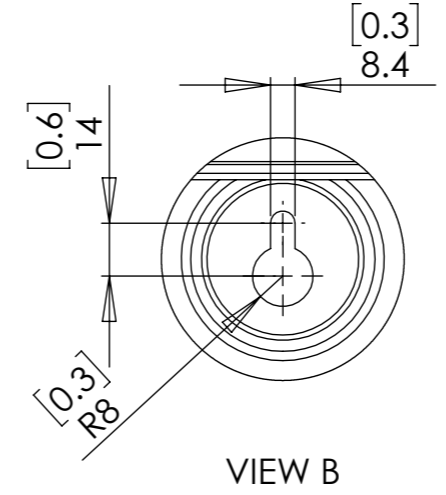
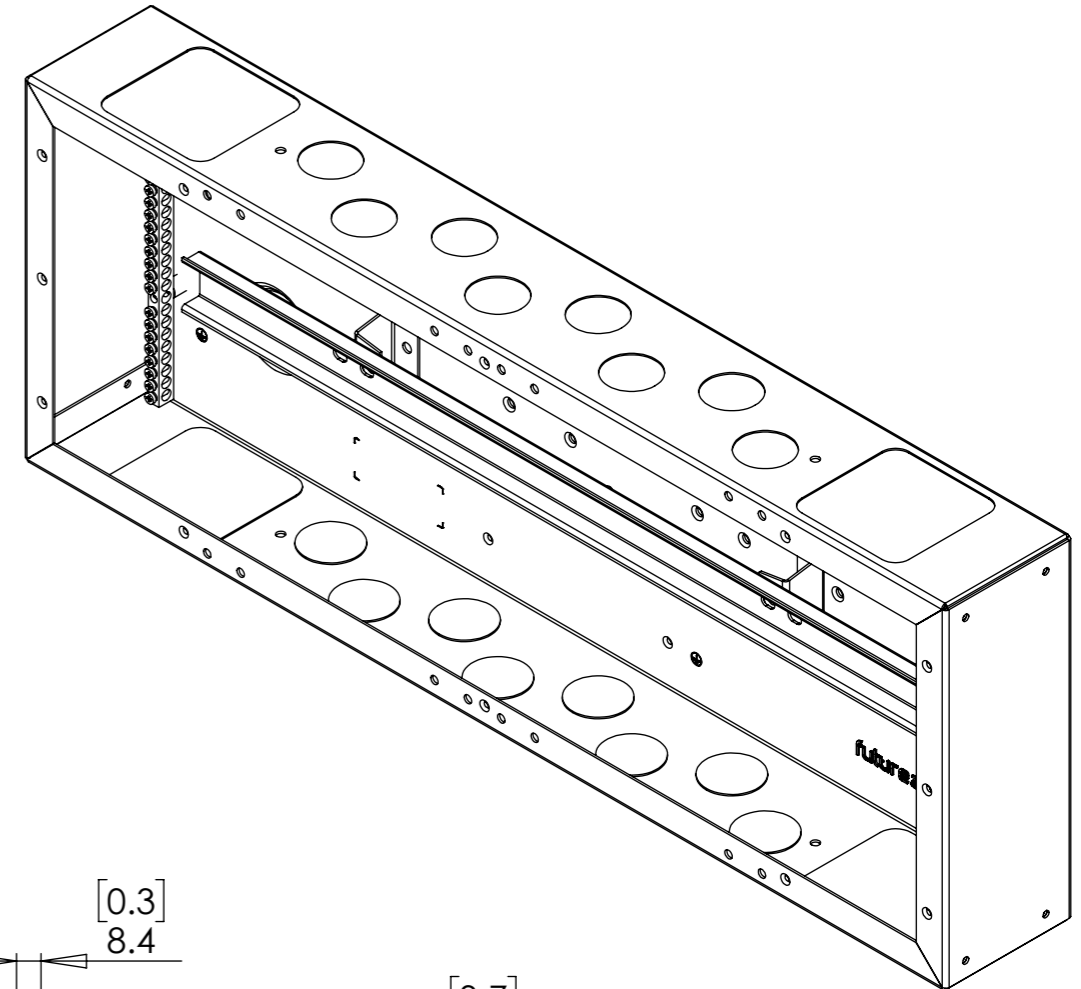
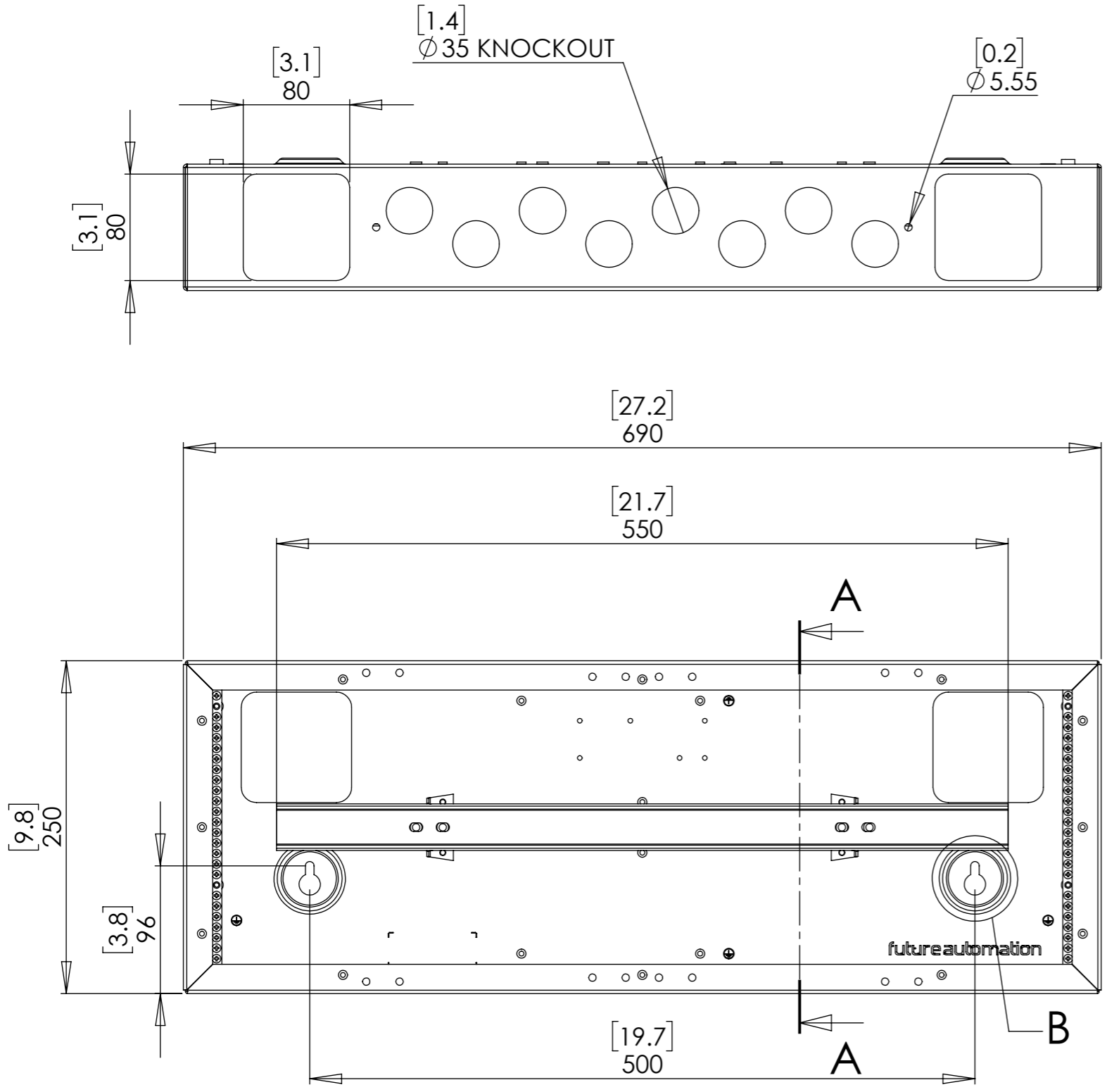


future automation

SPECIFICATION	MEASUREMENTS
Product Dimensions	250mm (9.8") x 690mm (27.2") x 141.5mm (5.6")
Number of DIN Rails	1
Finish (Custom Available)	Lid - Black Textured Paint, Box - Zintec Coated Steel
Depth From Wall	141.5mm (5.6")
Wall Mount Type	80mm (3.1") Keyhole Slots
Shipping Dimensions	380mm (15.0") x 840mm (33.0") x 210 (8.3")
Shipping Weight	8Kg (18lbs)

# LXN RE LOXONE - RAIL EXPANSION

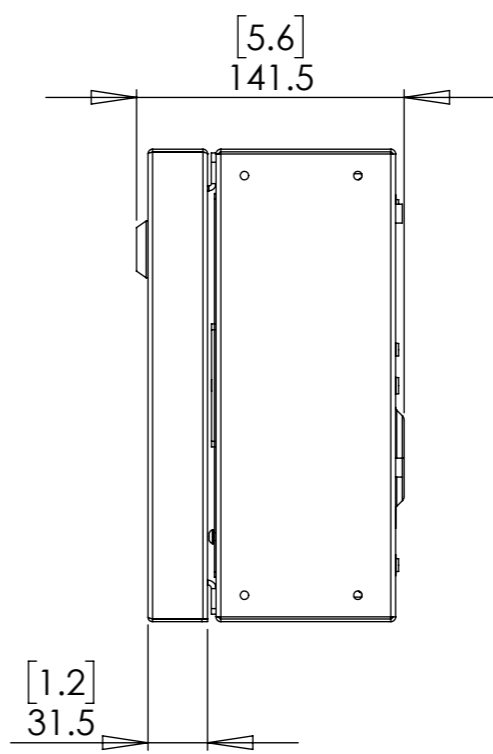
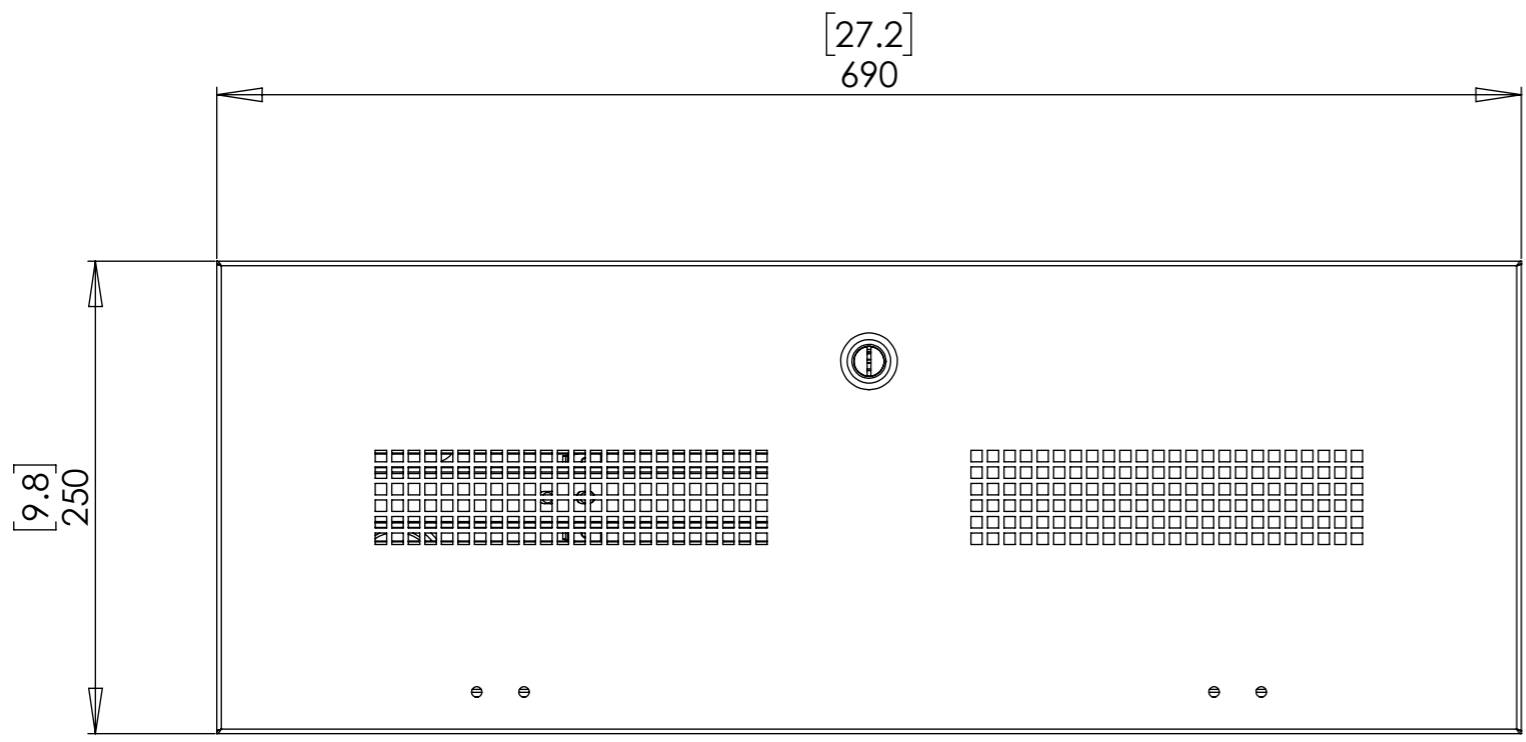
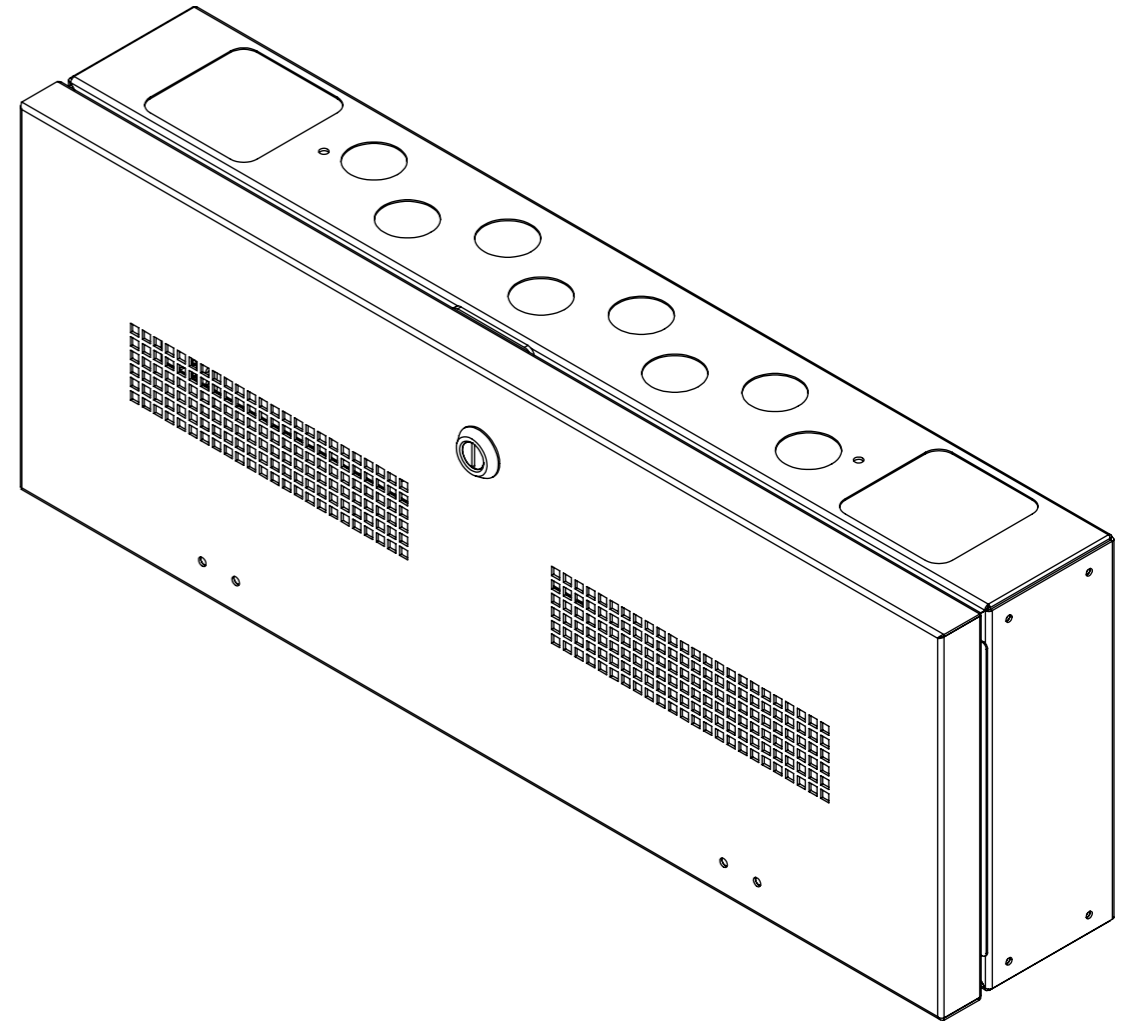
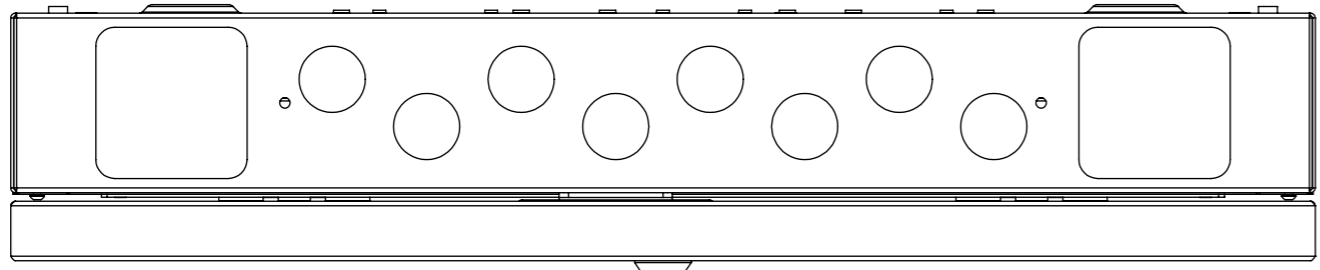
## ENCLOSURE DIMENSIONS



# LXN RE

## LOXONE - RAIL EXPANSION

### OVERALL DIMENSIONS



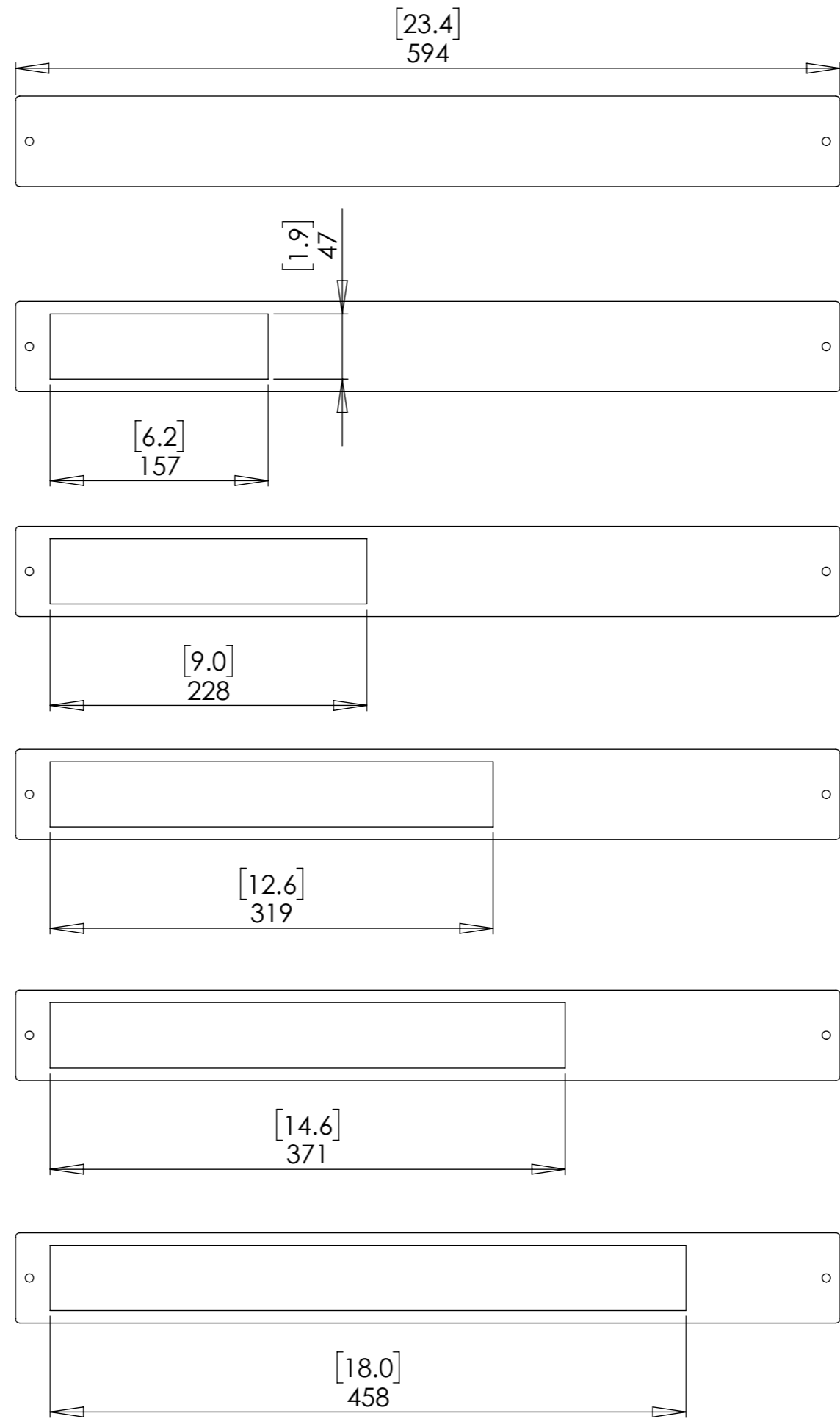
# LXN RE LOXONE - RAIL EXPANSION



## BLANKING PANELS

Different size blanking panels available as shown.

Allows for neat finishing with different set ups of breakers, modules and terminal blocks.



# LXN RE LOXONE - RAIL EXPANSION

## EXAMPLE INSTALLATION

Example below shows LXN-RE fitted above LXN 5 for module expansion and/or panel termination.

LXN-RE can be mounted below main LXN enclosure and door can be reversed to suit. Simply swap Hinge Outers and Latch Bracket to opposing side.

