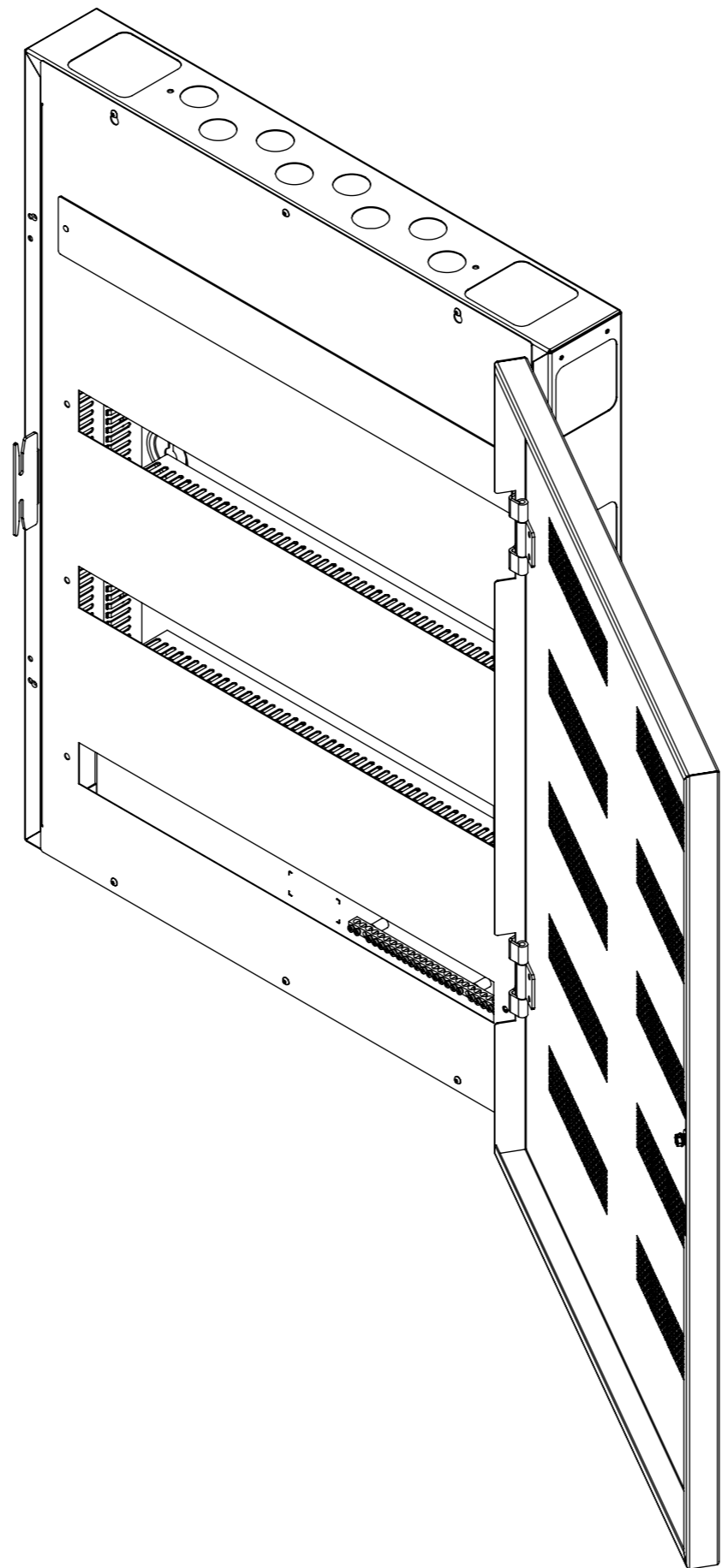


LXN4

LOXONE CONTROL PANEL - 4 RAIL



future automation



LXN4

LOXONE CONTROL PANEL - 4 RAIL



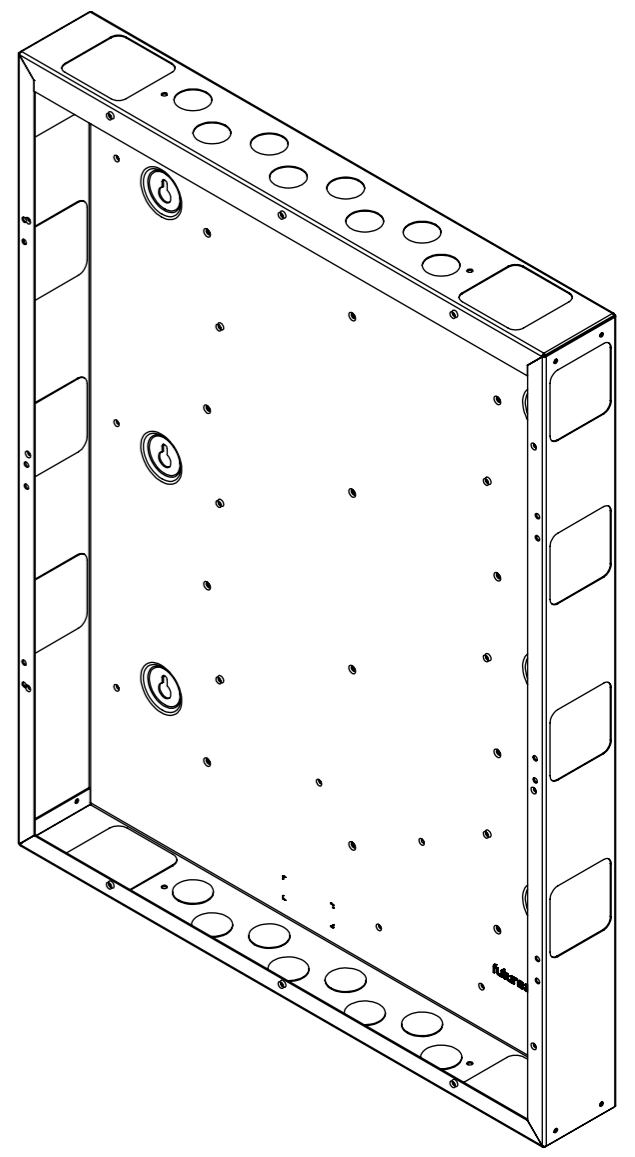
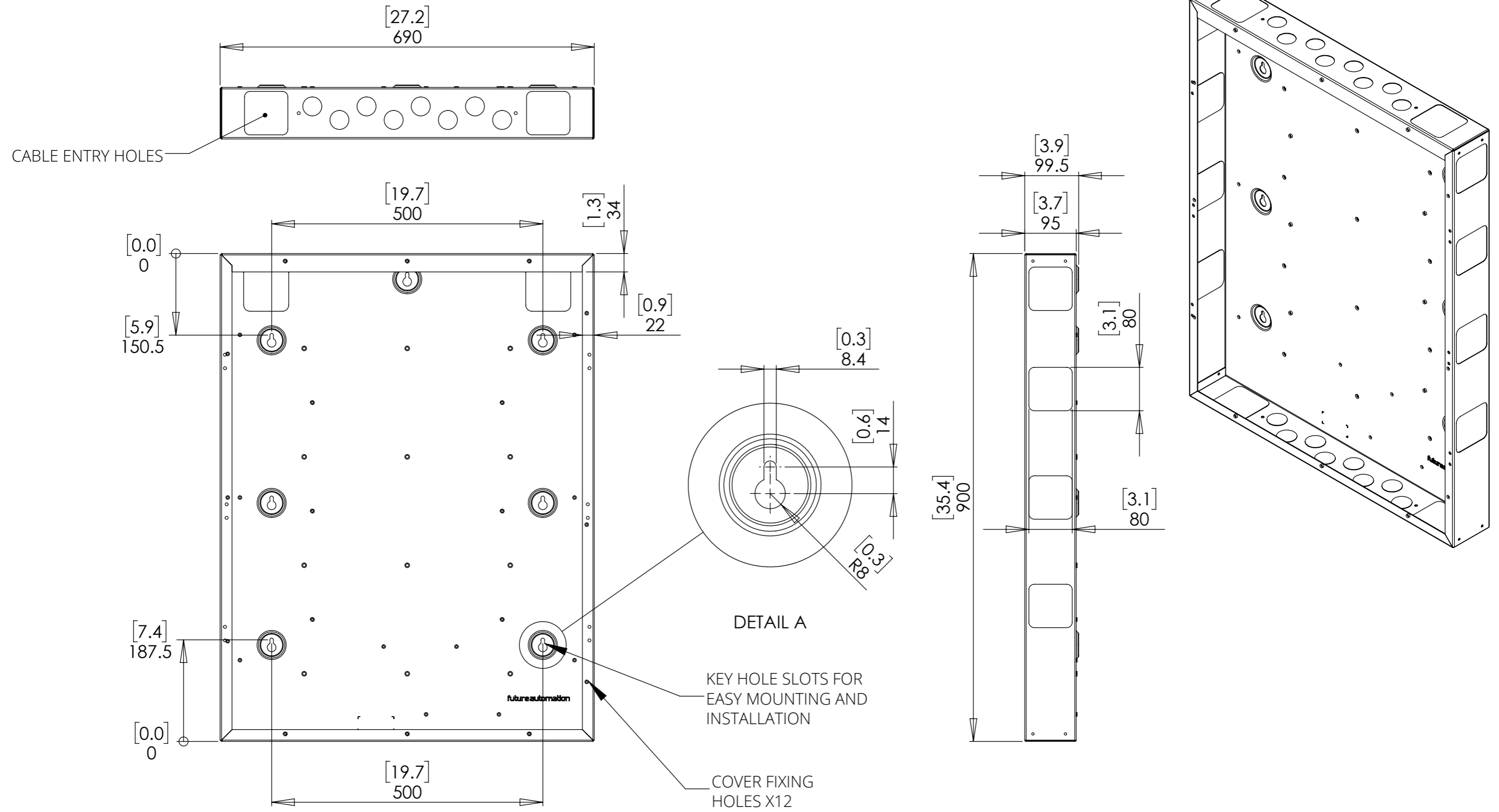
future automation

SPECIFICATION	MEASUREMENTS
Product Dimensions	900mm (35.4") x 690mm (27.2") x 141.5mm (5.6")
Number of DIN Rails	4
Finish (Custom Available)	Lid - Black Textured Paint, Box - Zintec Coated Steel
Depth From Wall	141.5mm (5.6")
Wall Mount Type	80mm (3.1") Keyhole Slots
Shipping Dimensions	1010mm (39.8") x 840mm (33.0") x 240 (9.5")
Shipping Weight	24Kg (53lbs)

LXN4 LOXONE CONTROL PANEL - 4 RAIL

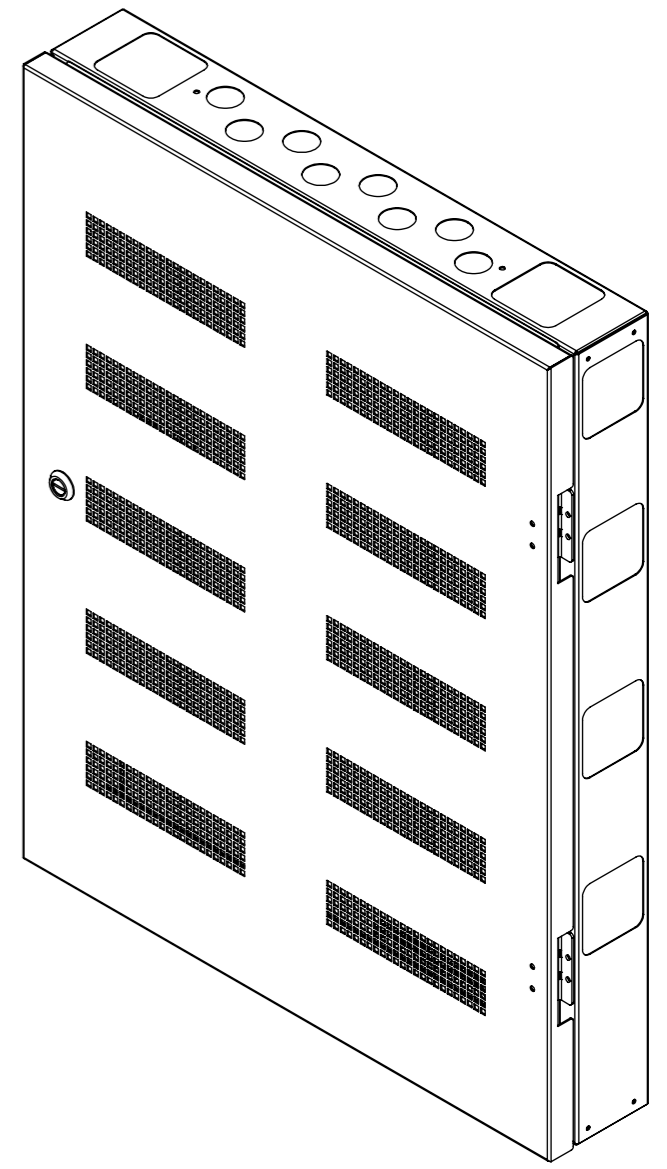
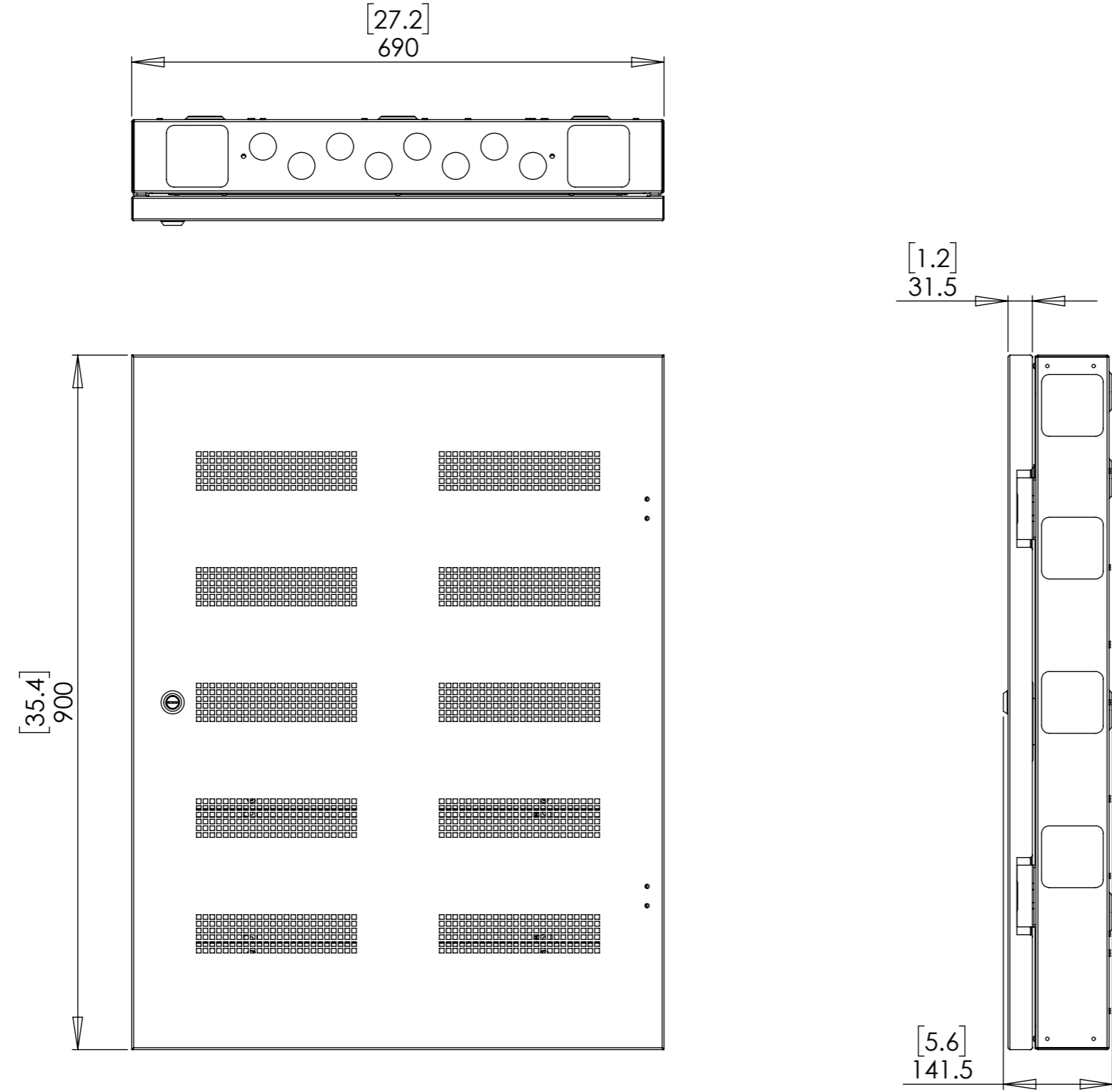


ENCLOSURE DIMENSIONS



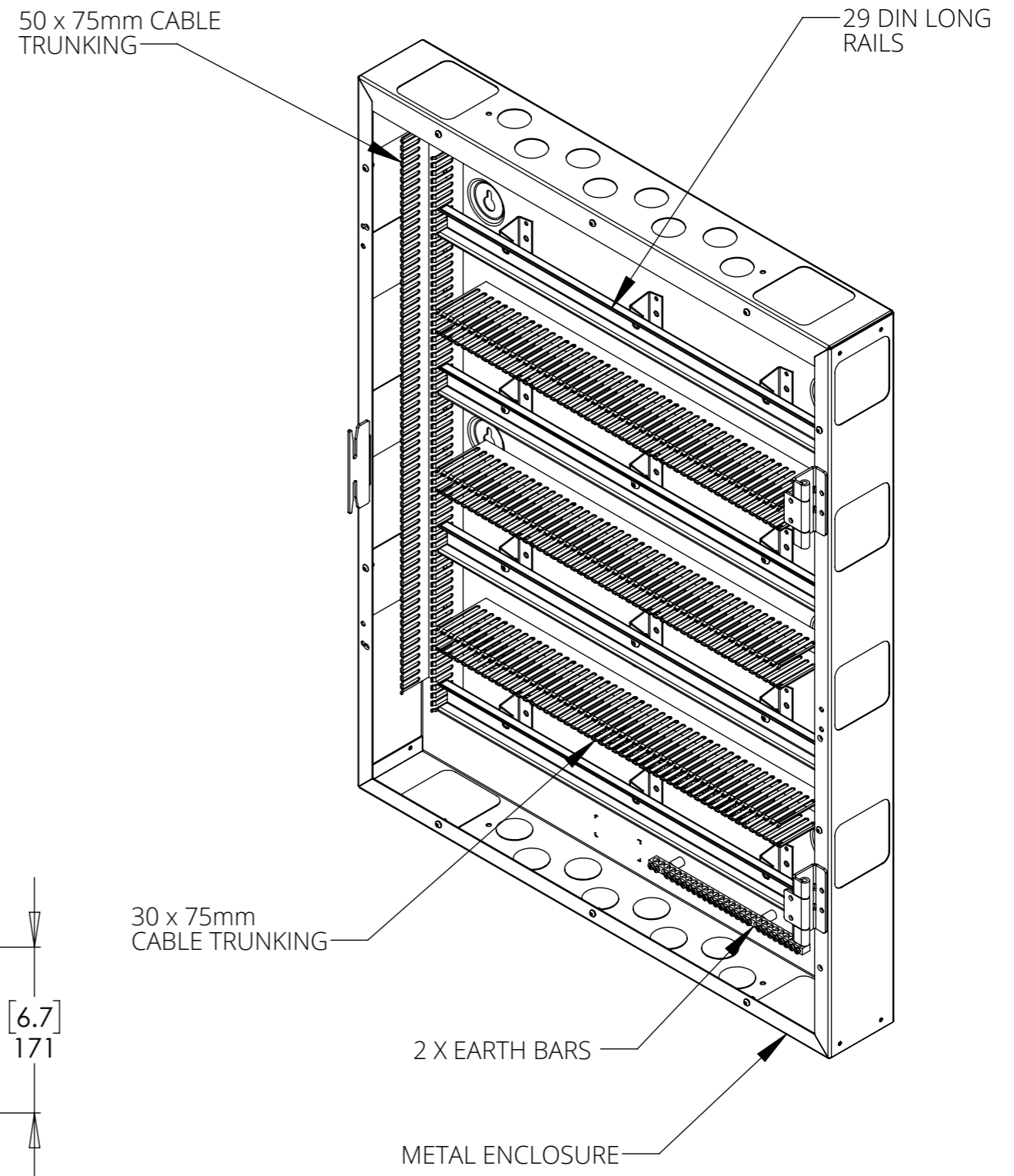
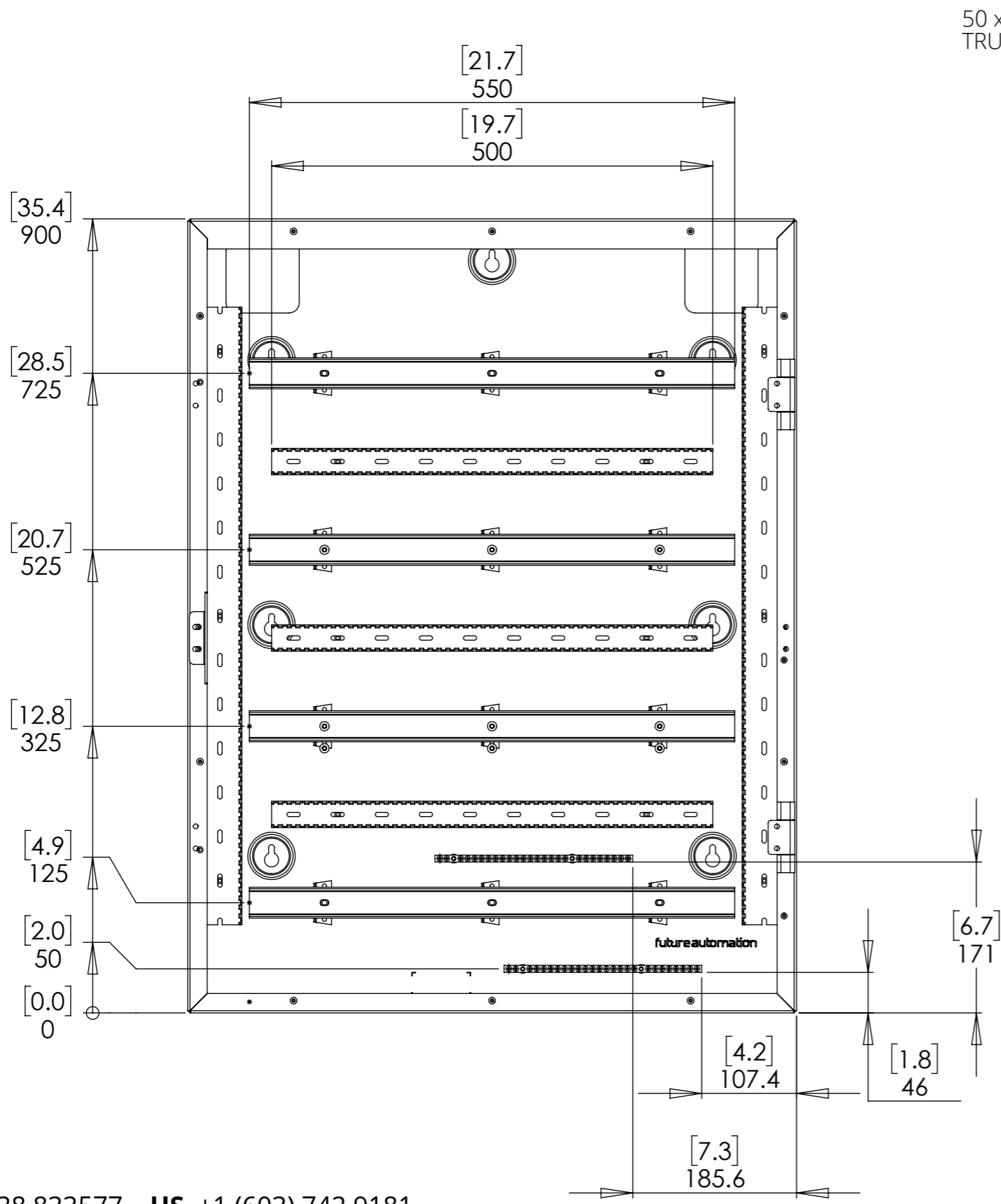
LXN4 LOXONE CONTROL PANEL - 4 RAIL

OVERALL DIMENSIONS



LXN4 LOXONE CONTROL PANEL - 4 RAIL

ENCLOSURE LAYOUT

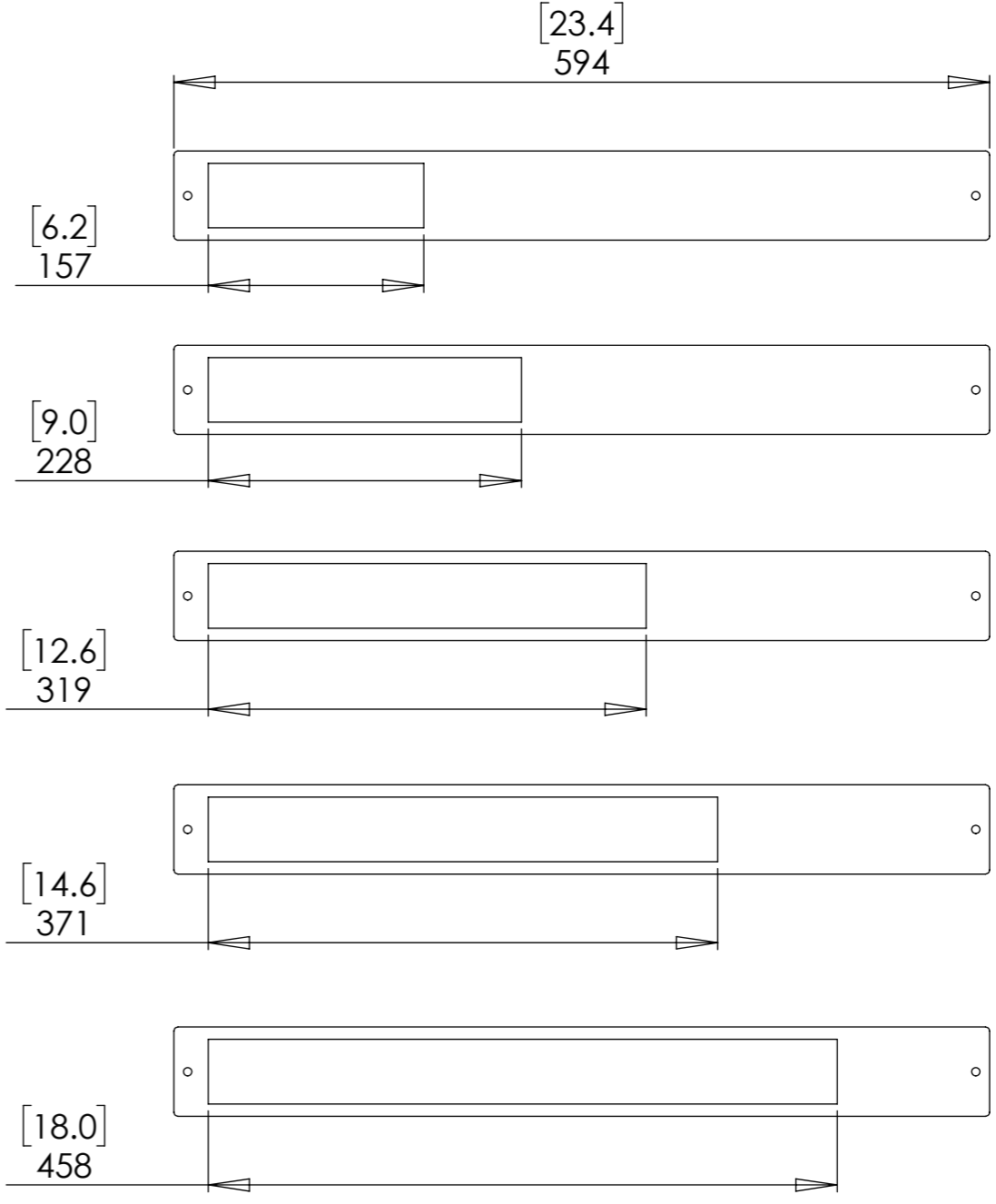
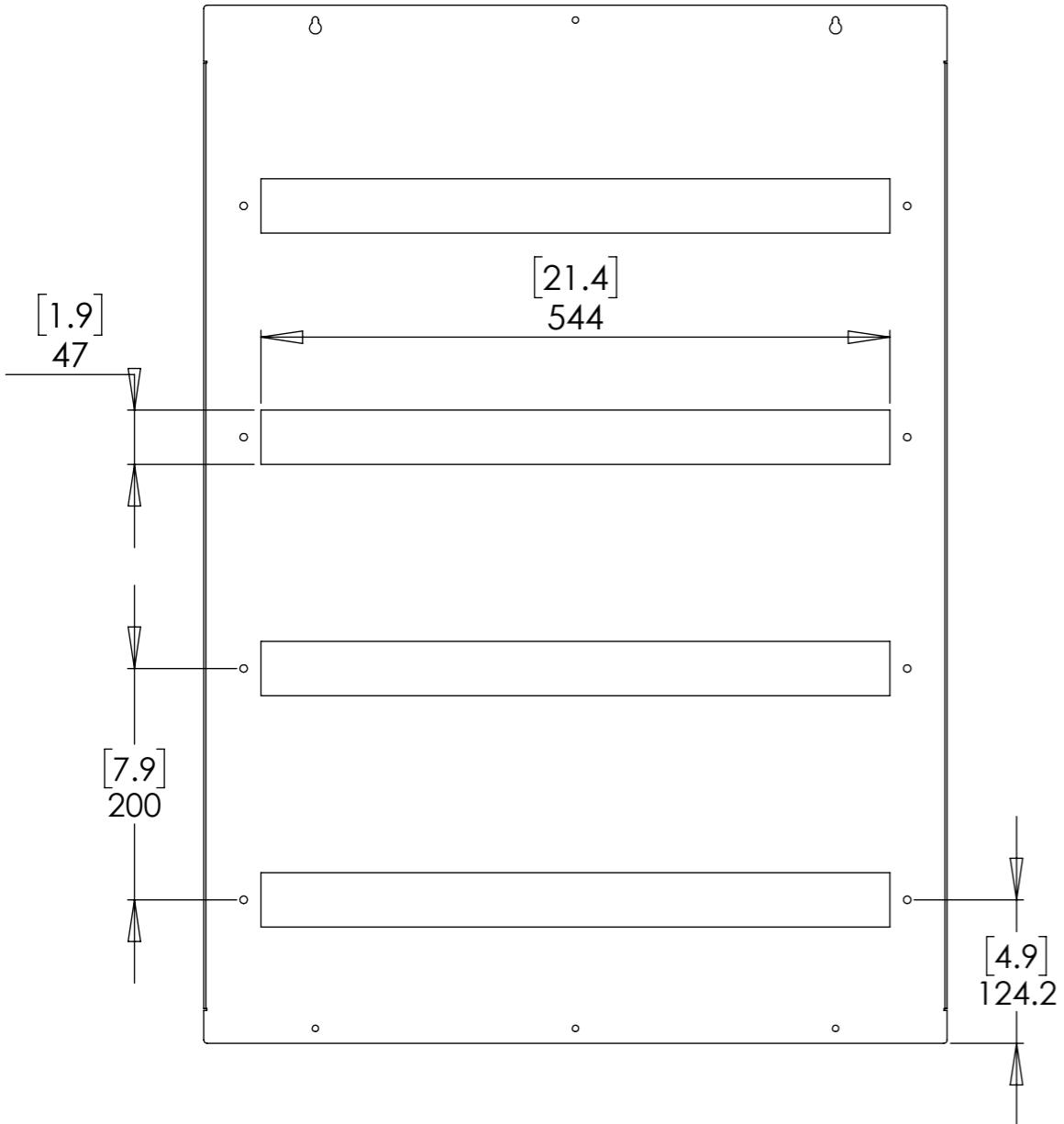


LXN4 LOXONE CONTROL PANEL - 4 RAIL

FRONT COVER AND PANEL COVERS

Front cover and panel cover options to suit different setups

COVER PANEL CONFIGURATIONS SLOT SIZES 157, 228, 319, 371 & 458mm. ALLOWS FOR NEAT FINISHING WITH DIFFERENT SET UPS OF BREAKER AND MODULES



LXN4

LOXONE CONTROL PANEL - 4 RAIL



REVERSIBLE DOOR OVERVIEW

Door shown opening towards the right hand side

In order to switch to left hand side opening, simply remove front cover panel and swap latch brackets and hinge outers over

