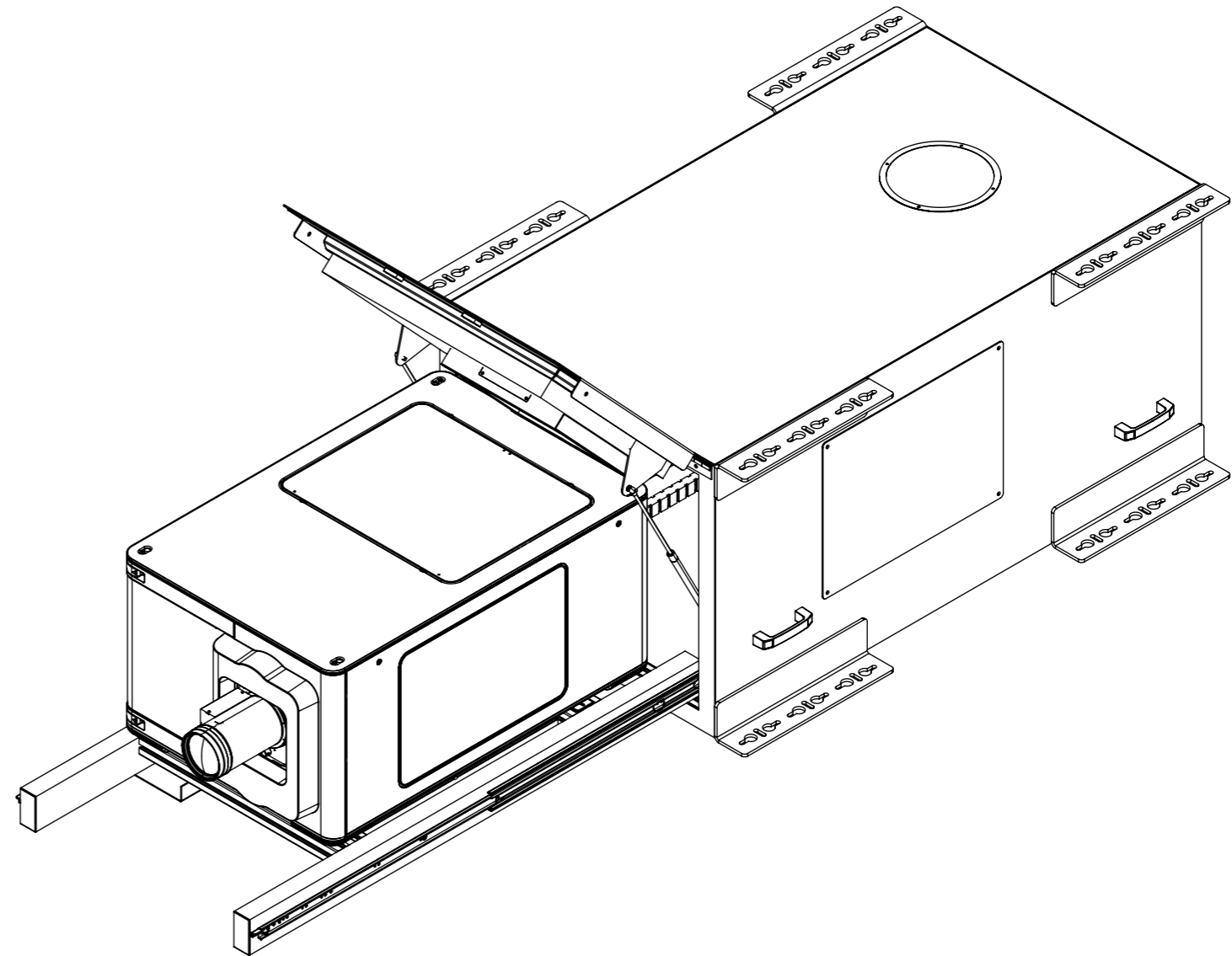
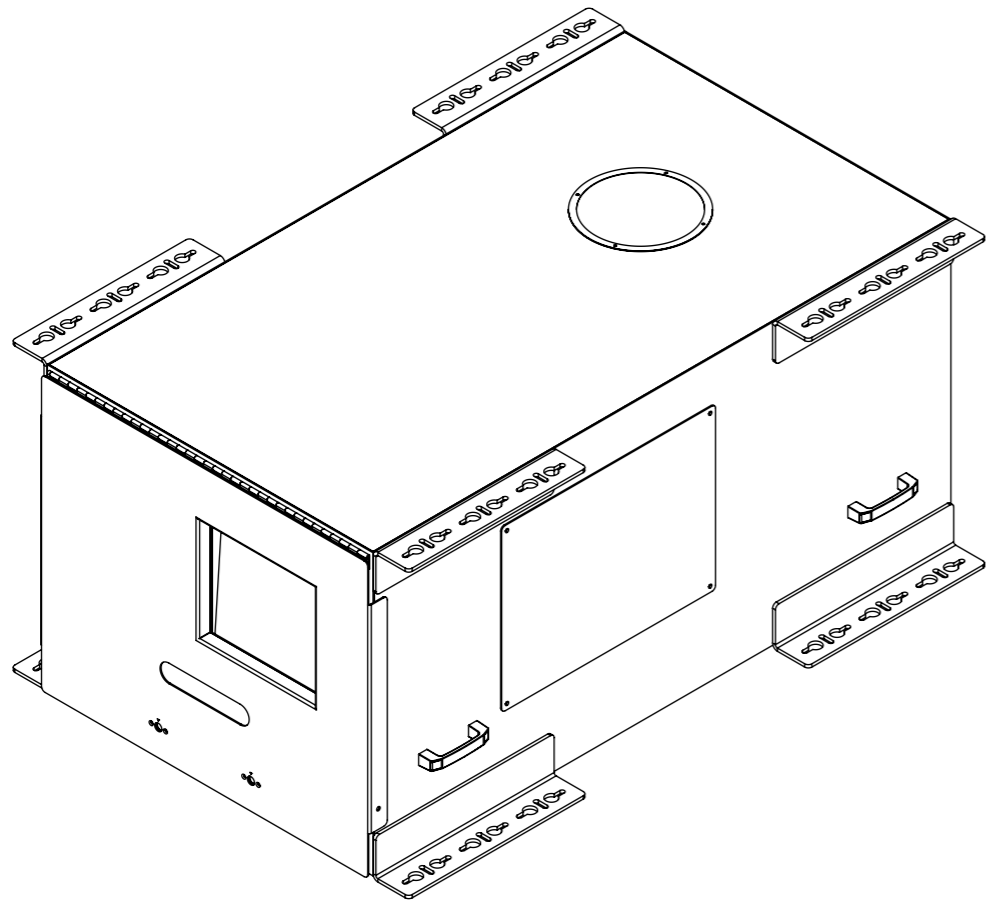


NRC-ST-FREYA+

NOISE REDUCTION CHAMBER WITH SLIDE TRAY



NRC-ST-FREYA+

NOISE REDUCTION CHAMBER WITH SLIDE TRAY



SPECIFICATION	MEASUREMENTS					
Product Dimensions	1115mm (43 7/8") W x 801mm (31 9/16") H x 1681mm (66 3/16") D					
Sound Absorption Material	Fire resistant acoustic foam: Pyrosorb-S 50mm (1 15/16")					
Glass Angle	9° between Panes, 4.5° from Vertical					
Glass Thickness	1 x 4mm (3/16") Thick Pane 1 x 6mm (1/4") Thick Pane					
Glass Specification	Schott CONTURAN® Magic, Float Glass (Extra Clear) blue & green					
Glass Luminous Reflectance (ρ vA)	ca. 0.9%					
Glass Regular Spectral Reflectance (ρ (λ))	glass substrate, colour of antireflection coating	Wavelength in nm				
		475	510	550	660	730
	Float glass (extra clear), blue	4%	1.7%	1%	0.8%	4%
Float glass (extra clear), green	4%	0.9%	1.7%	0.9%	4%	
Glass Luminous Transmittance (τ vA)	4mm (3/16") Pane: 99% 6mm (1/4") Pane: 98.5% Combined: 97.5%					
Product Weight	~250Kg (550lbs)					
Packaging Dimensions	TBC					
Shipping Weight	TBC					
Package Contents	NRC-ST-FREYA+					
Marine Suitable	Yes					

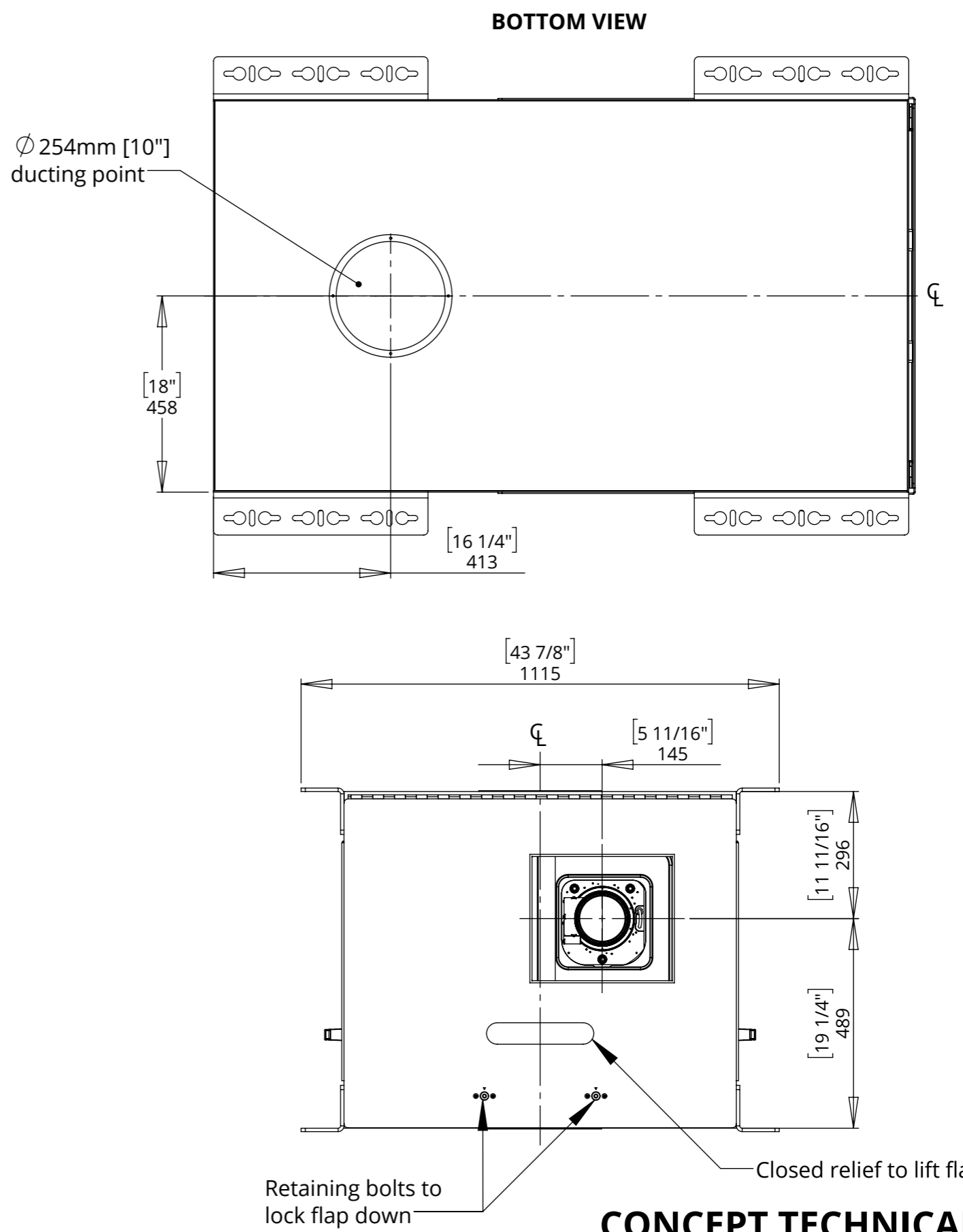
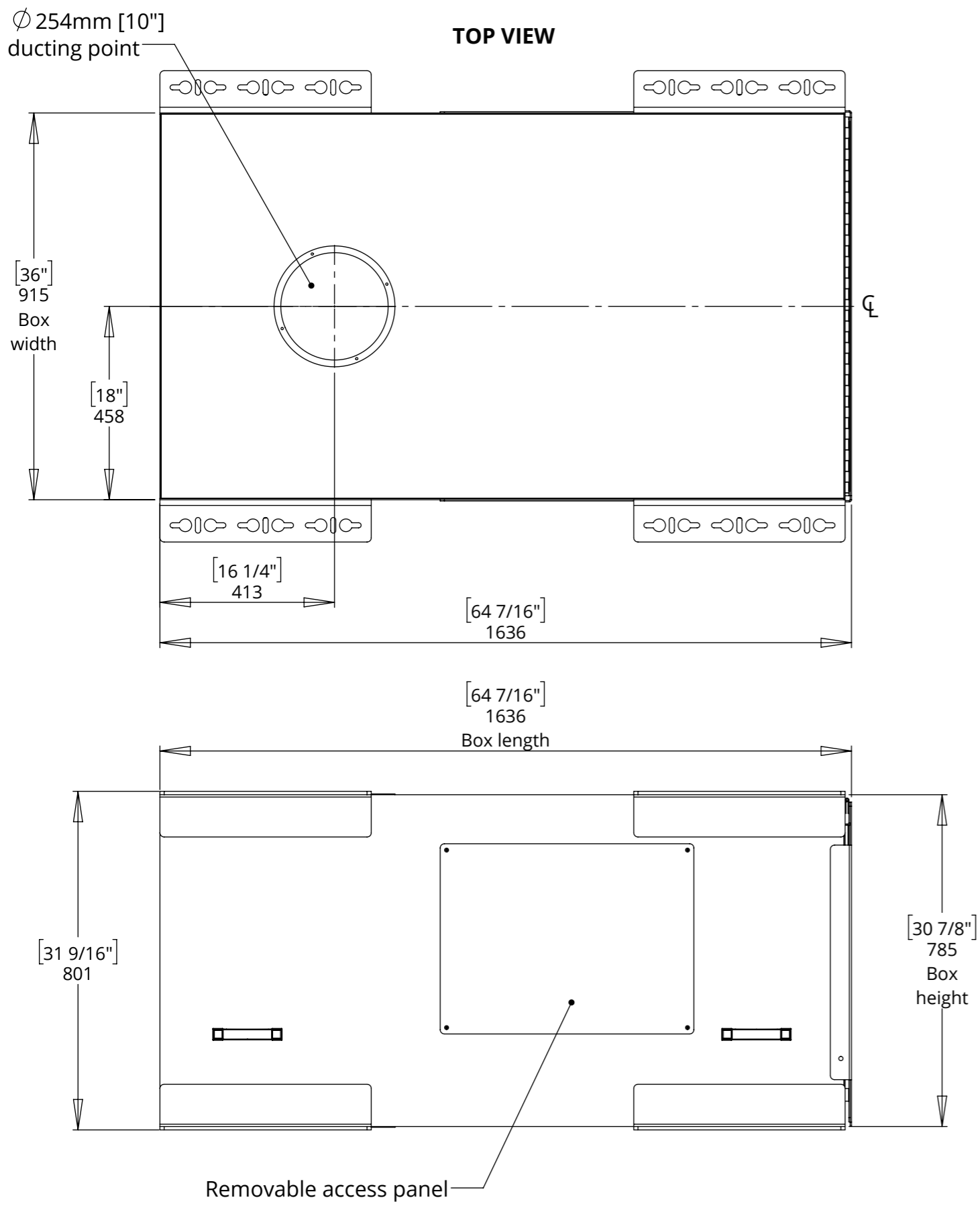
ACOUSTIC FOAM PYROSORB-S 50mm (1 15/16") FLAMMABILITY PROPERTIES	
METHOD	RESULT
BS 476 Part 5	Non-Ignition
BS 476 Part 6	I≤12, I1≤6
BS 476 Part 7	Class "1"
BS 476 P6 & P7 Building Regulations	Class "O"
BS EN ISO 4589-3	No ignition, tested at 240°C, 300°C, 360°C and 380°C
UL94	V-0, 94-5V
BS6853:1987 App. B.5.3	A0(max)<5
NES 713	<3.0

ACOUSTIC FOAM: PYROSORB-S 50mm (1 15/16")	
Frequency (Hz)	Absorption Coefficient (α)
500	0.57
1000	0.8
2000	0.68
4000	0.77
10000	0.93

NRC-ST-FREYA+

NOISE REDUCTION CHAMBER WITH SLIDE TRAY

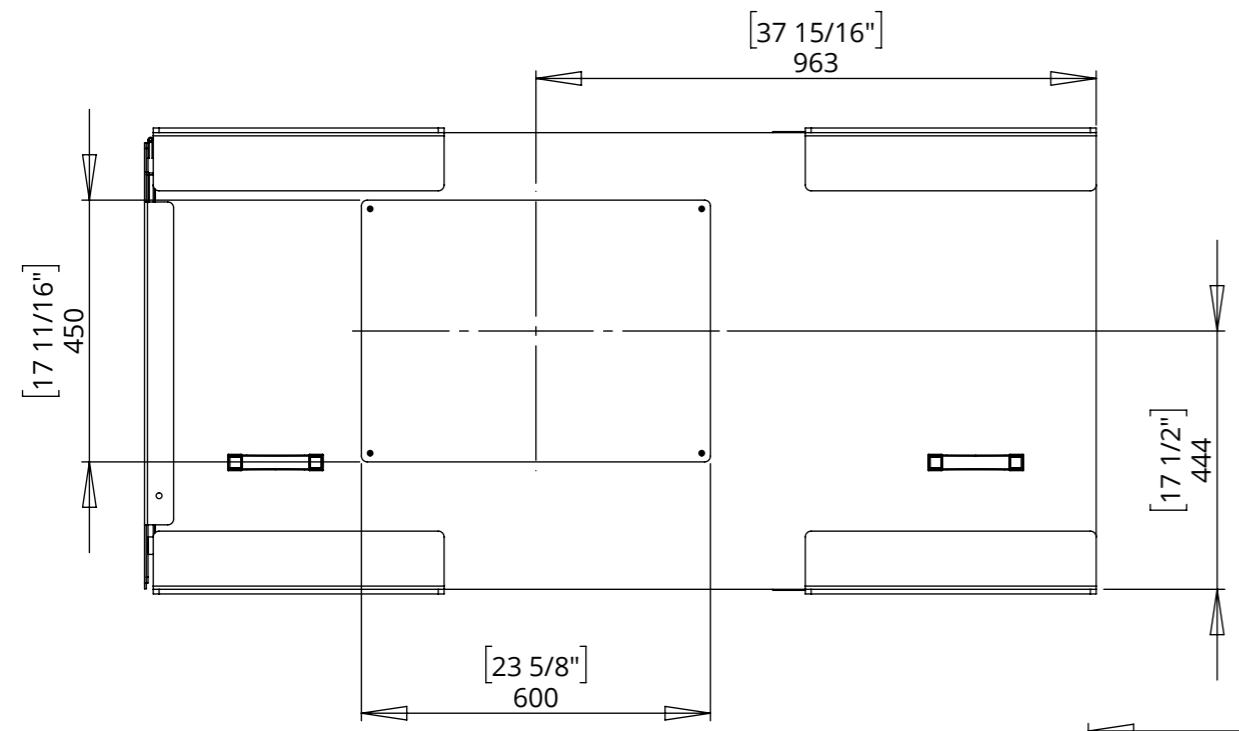
NRC-ST-FREYA+ is estimated to weigh approx. 250Kg (550lbs)



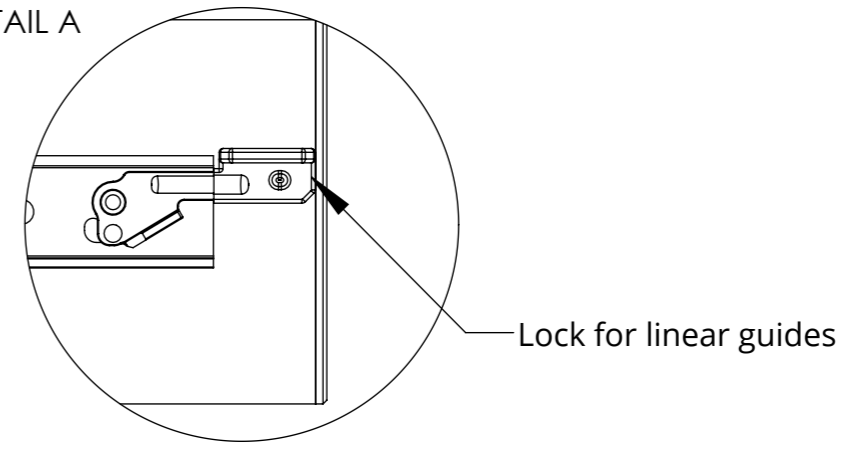
NRC-ST-FREYA+

NOISE REDUCTION CHAMBER WITH SLIDE TRAY

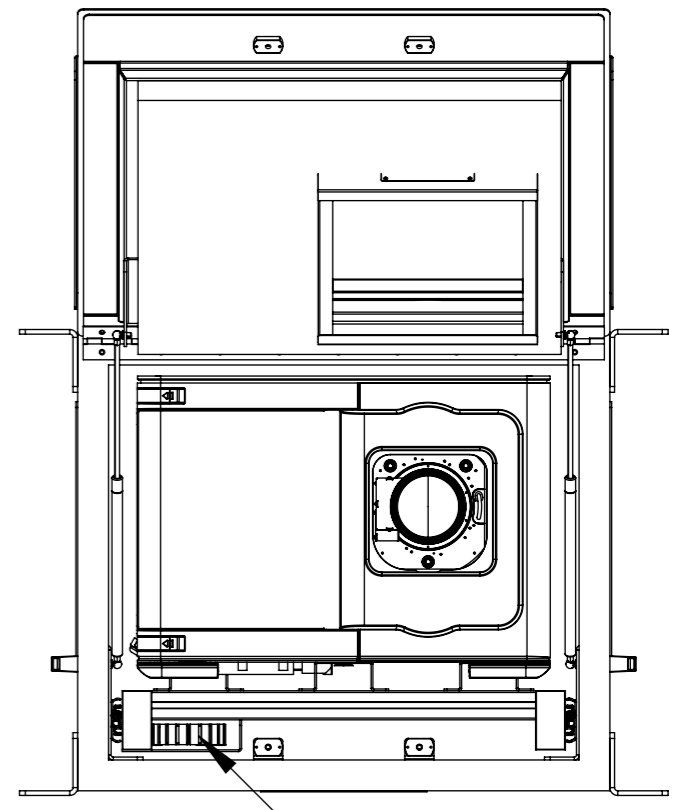
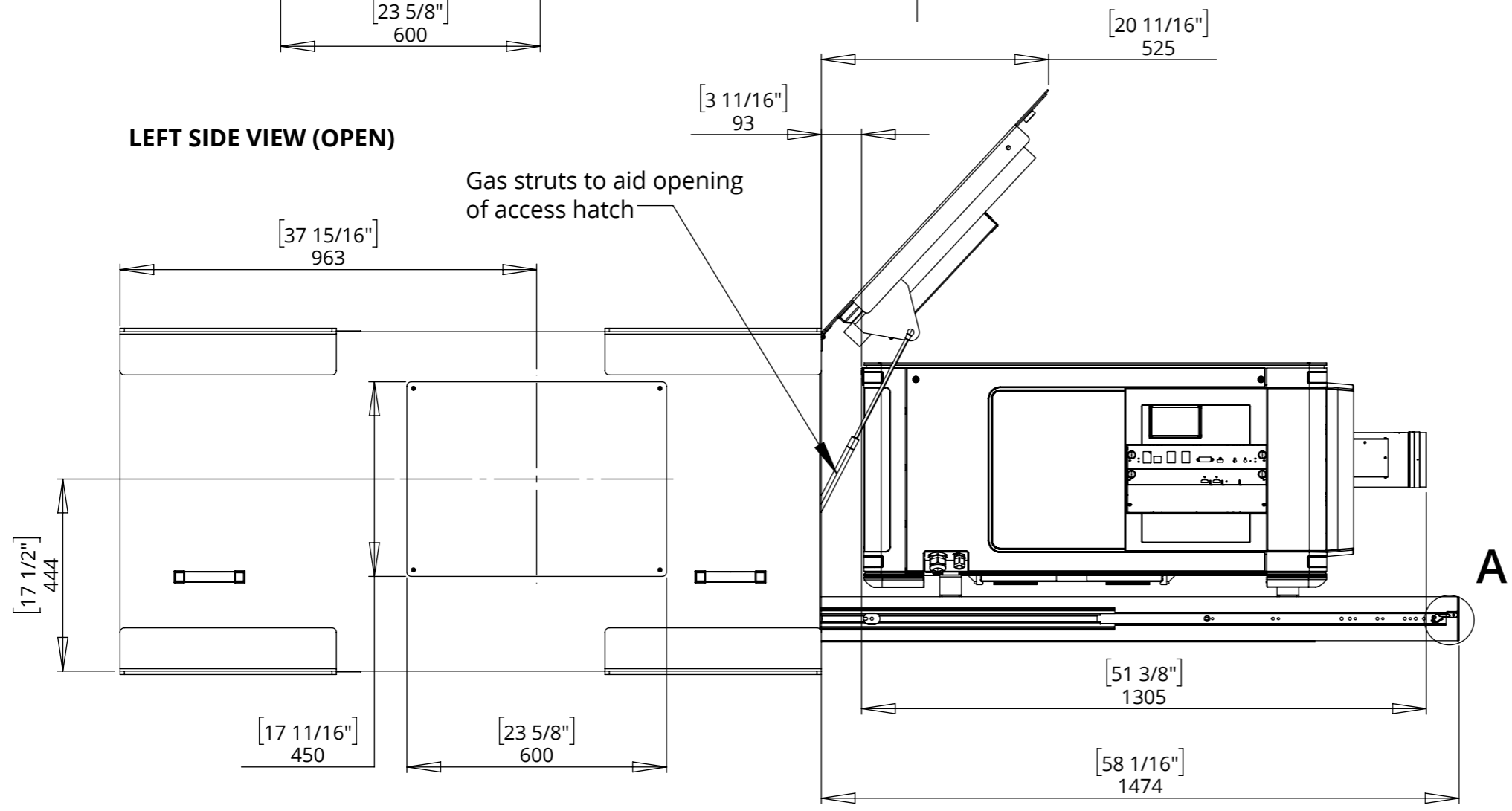
RIGHT SIDE VIEW (CLOSED)



DETAIL A



LEFT SIDE VIEW (OPEN)



Cable management chain

NRC-ST-FREYA+

NOISE REDUCTION CHAMBER WITH SLIDE TRAY

