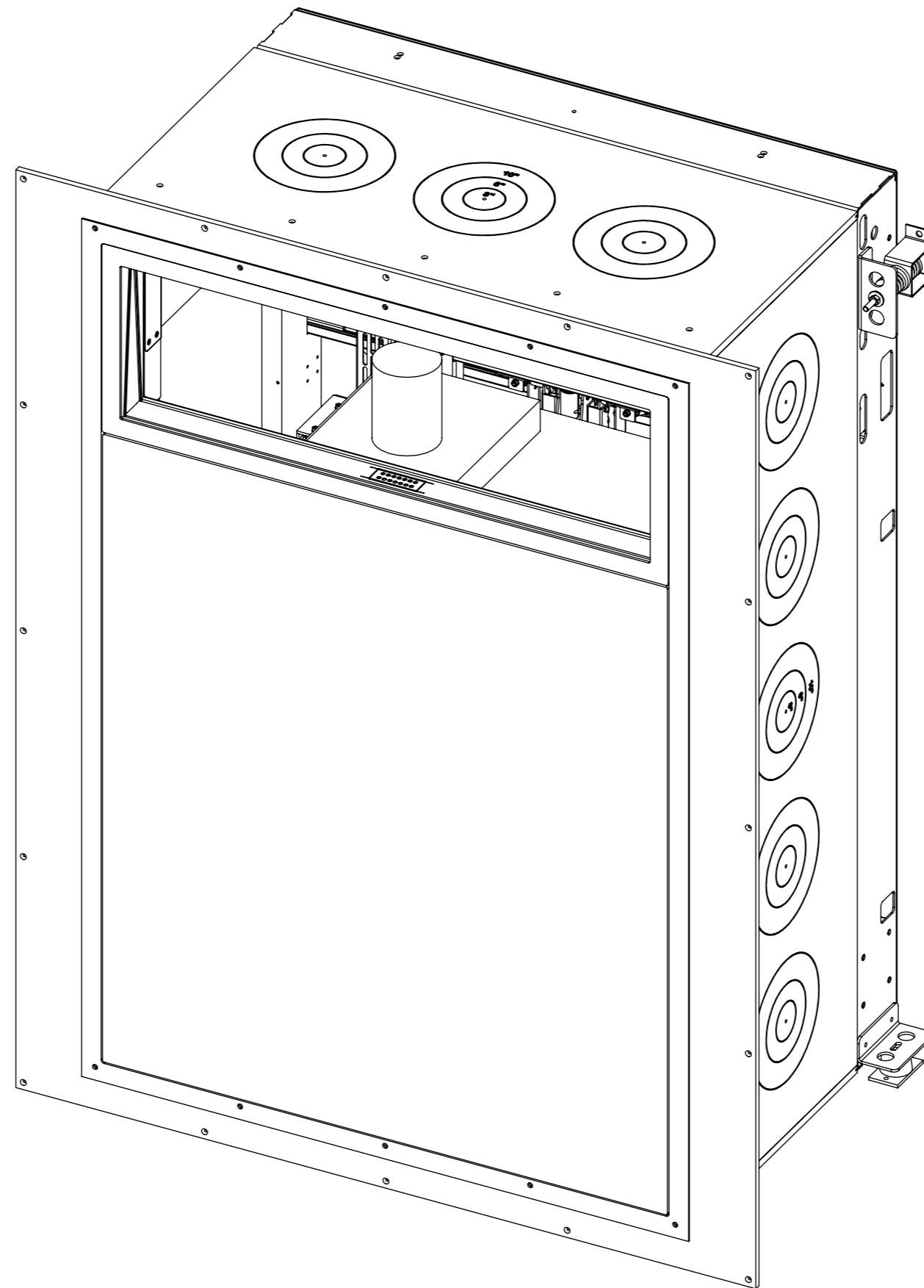


PCV-F-FREYA

VERTICAL PROJECTOR MOUNT FRONT ACCESS



future automation



PCV-F-FREYA

VERTICAL PROJECTOR MOUNT FRONT ACCESS



SPECIFICATION	MEASUREMENTS					
Product Dimensions	1927mm (75 7/8") H max. x 1506mm (59 5/16") W x 830mm (32 11/16") D min.					
Maximum Weight Capacity	120Kg (265lb)					
Minimum supported Throw Ratio	1.6					
Glass Angle	9° between Panes, 4.5° from Vertical					
Glass Thickness	1 x 4mm (3/16") Thick Pane 1 x 6mm (1/4") Thick Pane					
Glass Specification	Schott CONTURAN® Magic, Float Glass (Extra Clear) blue & green					
Glass Luminous Reflectance (ρ vA)	ca. 0.9%					
Glass Regular Spectral Reflectance (ρ (λ))	glass substrate, colour of antireflection coating	Wavelength in nm				
		475	510	550	660	730
	Float glass (extra clear), blue	4%	1.7%	1%	0.8%	4%
	Float glass (extra clear), green	4%	0.9%	1.7%	0.9%	4%
Glass Luminous Transmittance (τ vA)	4mm (3/16") Pane: 99% 6mm (1/4") Pane: 98.5% Combined: 97.5%					
Product Weight	275Kg (606lb)					
Packaging Dimensions	TBC					
Shipping Weight	TBC					
Product Options / Features	Specific mounts / adapters, Custom RAL paint finishes					
Package Contents	Mechanism, Bolt Pack					
Marine Suitable	No					

PCV-F-FREYA



VERTICAL PROJECTOR MOUNT FRONT ACCESS

DESIGN HIGHLIGHTS

Can support a minimum throw ratio of 1.6.

Integrated Dual Pane Port Glass with different thicknesses of glass.

Adjustable mirror with angular adjustment between 35° and 55° and also fine forward and backward adjustment.

Vibration Isolating mounts to limit vibrations on projected image.

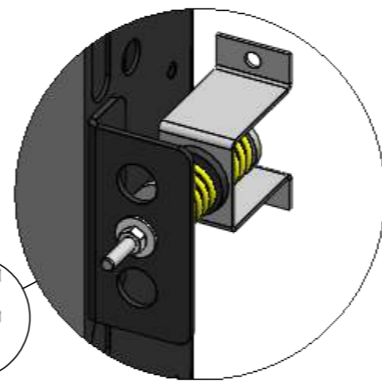
Push to release access panel for a simple clean look

Pull & Swivel Projector Service Mount system for simpler install with vertical adjustment.

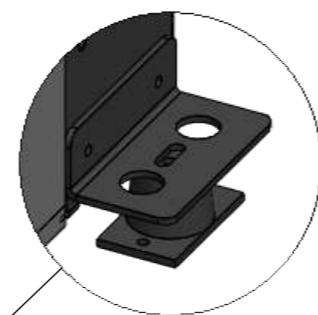
Future Automation Barco Freya Carriage

Guides for cutting holes for ventilation on all four sides.

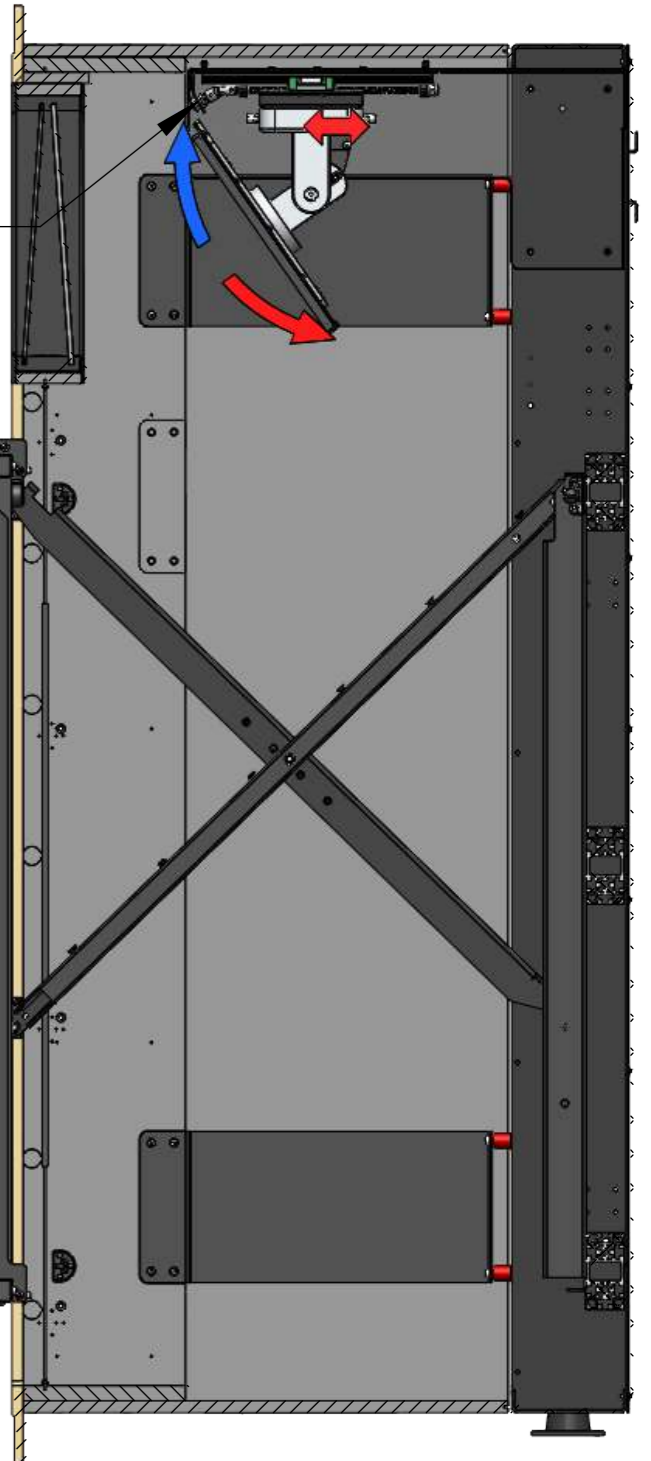
Mirror position and angle easily and accurately set with screwdriver adjustment on installation.



Vibration Isolation Mounts



Pull & Swivel Projector Service Mount



Dual Pane Port Glass

Push to Release access panel

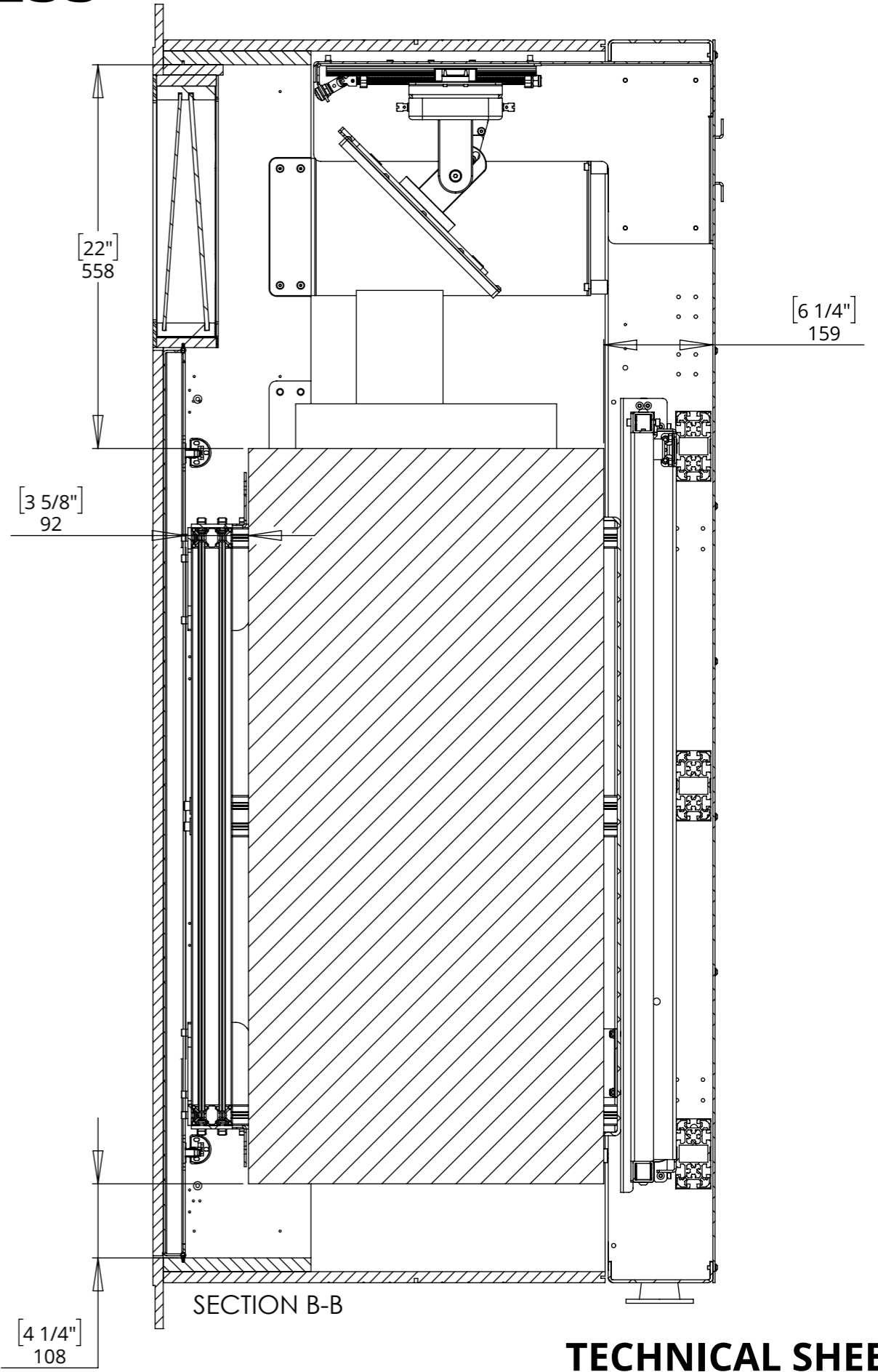
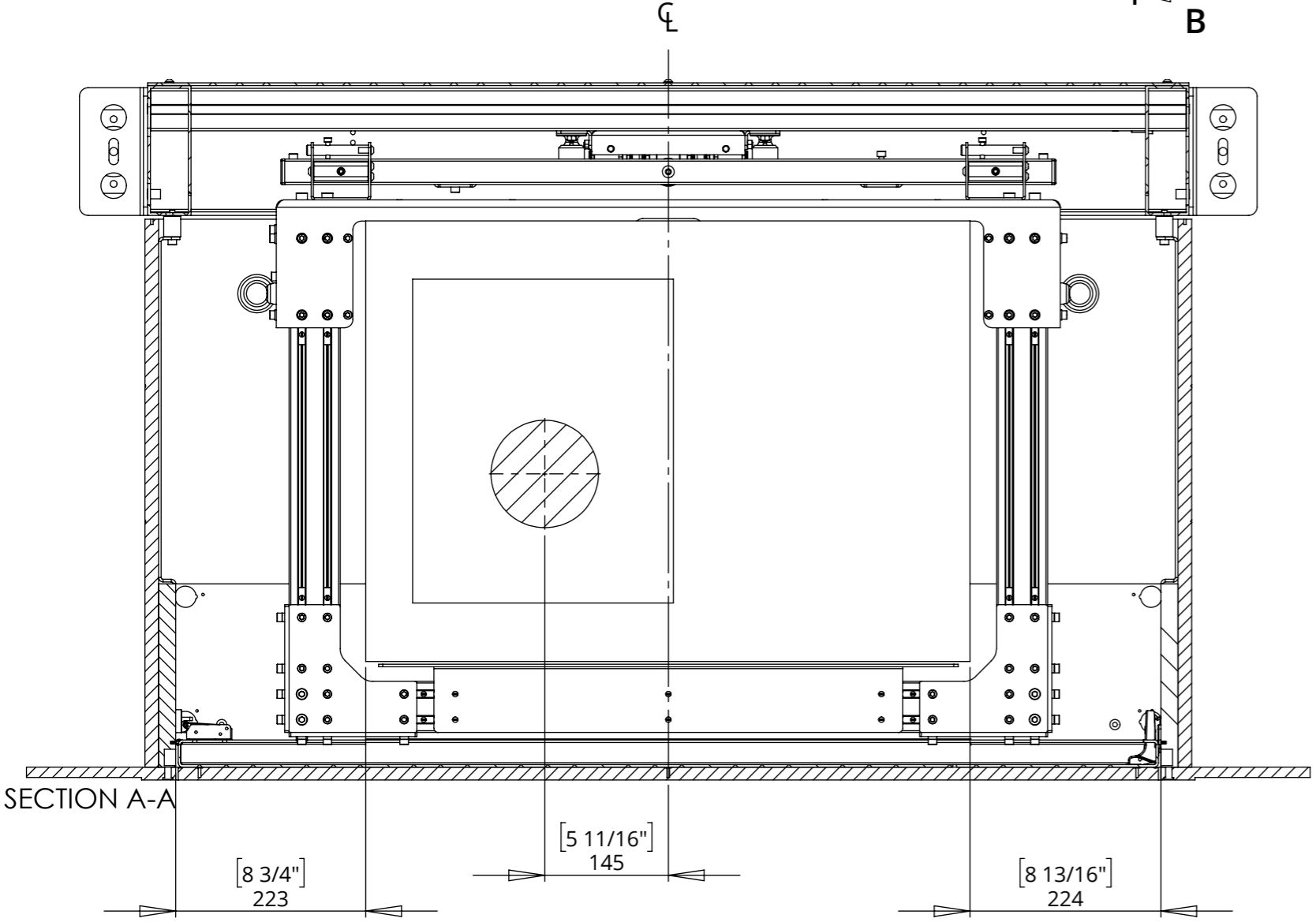
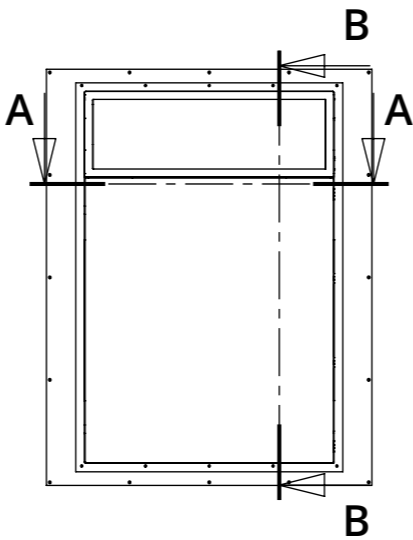
PCV-F-FREYA

VERTICAL PROJECTOR MOUNT FRONT ACCESS

PROJECTOR SUITABILITY

Recommended Maximum Projector Size accounts for only the Projectors External Dimensions.

Should you want to use the maximum available space, thought must be taken with regard to where AV connections are located on the projector.



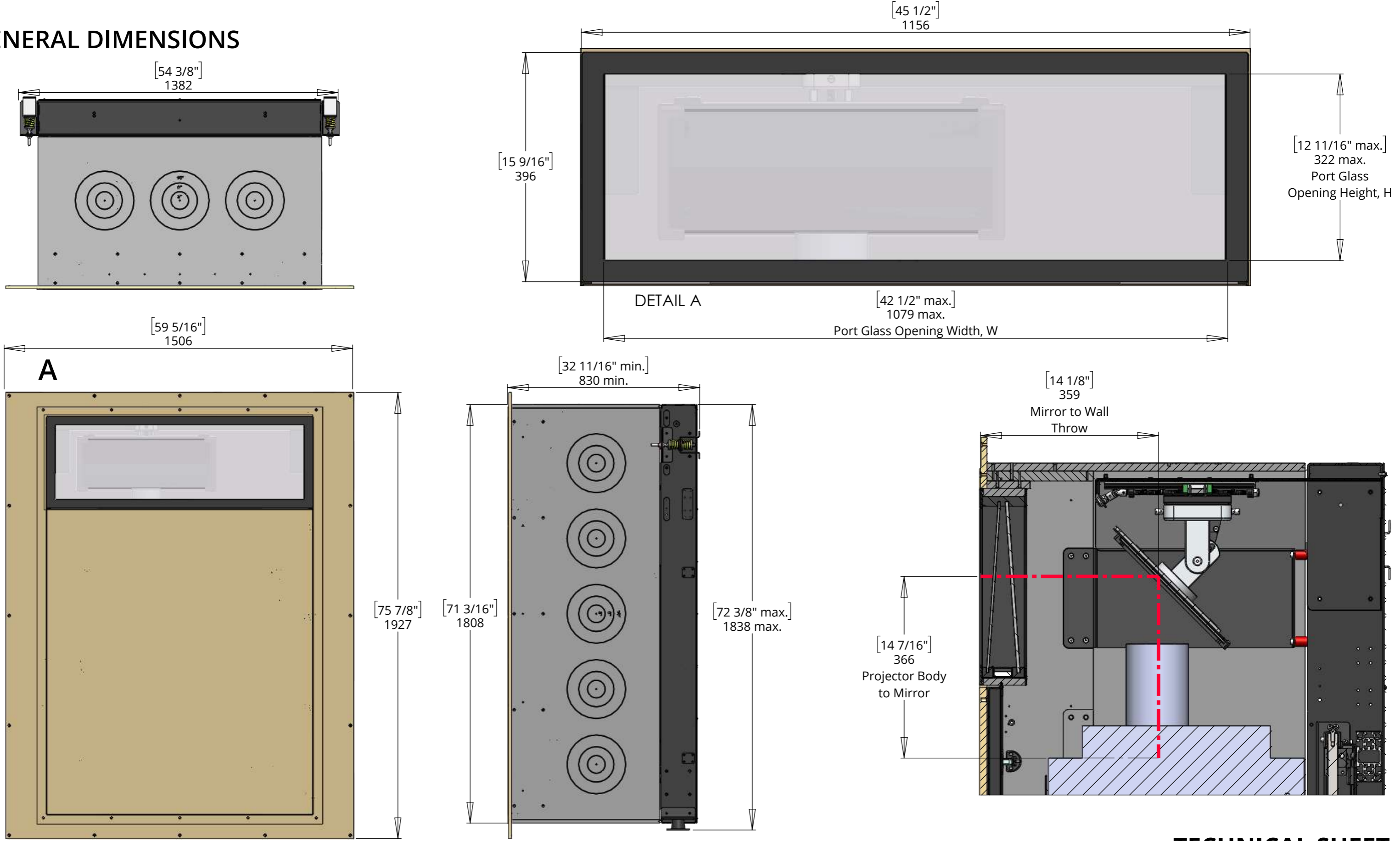
PCV-F-FREYA



future automation

VERTICAL PROJECTOR MOUNT FRONT ACCESS

GENERAL DIMENSIONS



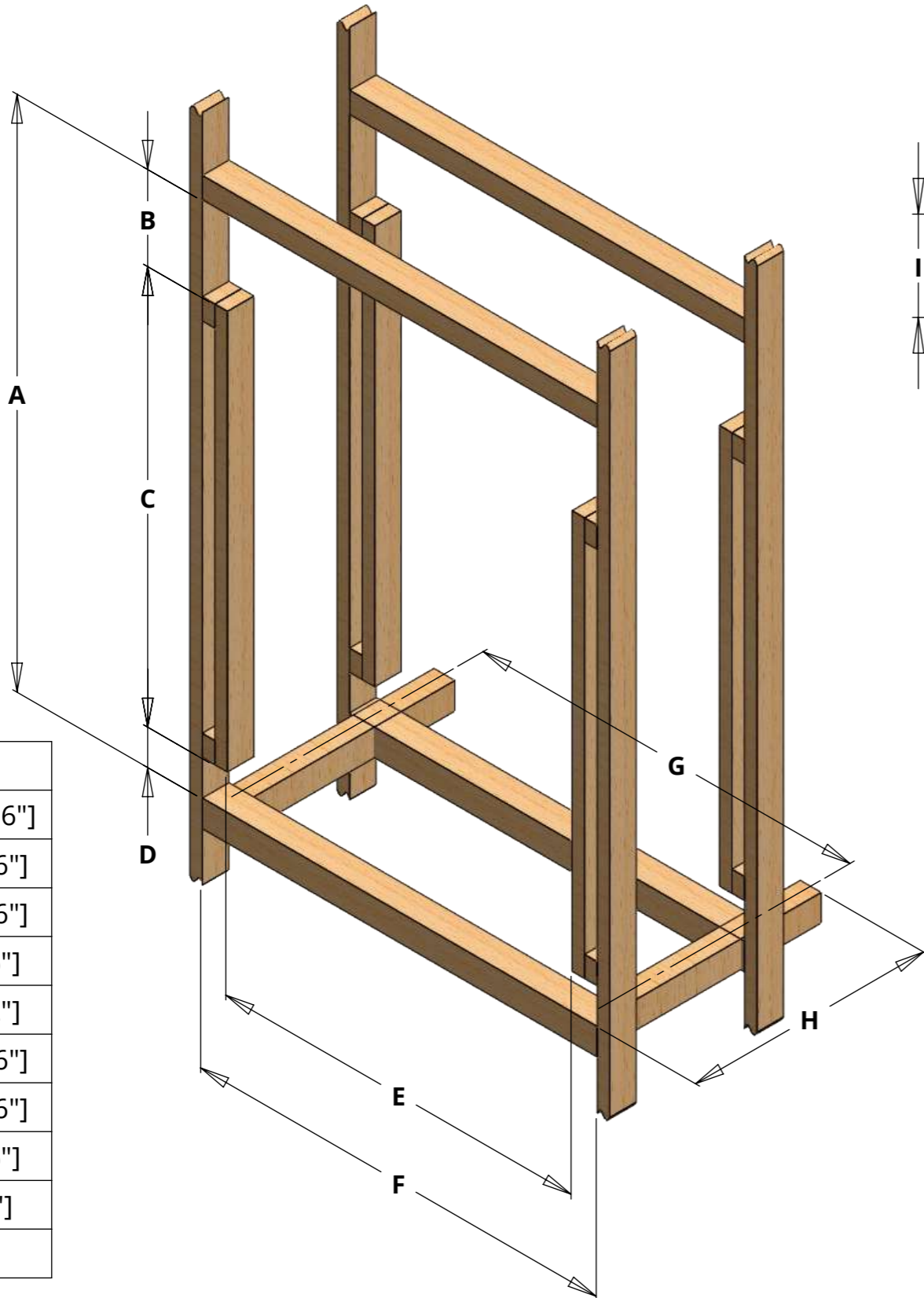
PCV-F-FREYA

VERTICAL PROJECTOR MOUNT FRONT ACCESS

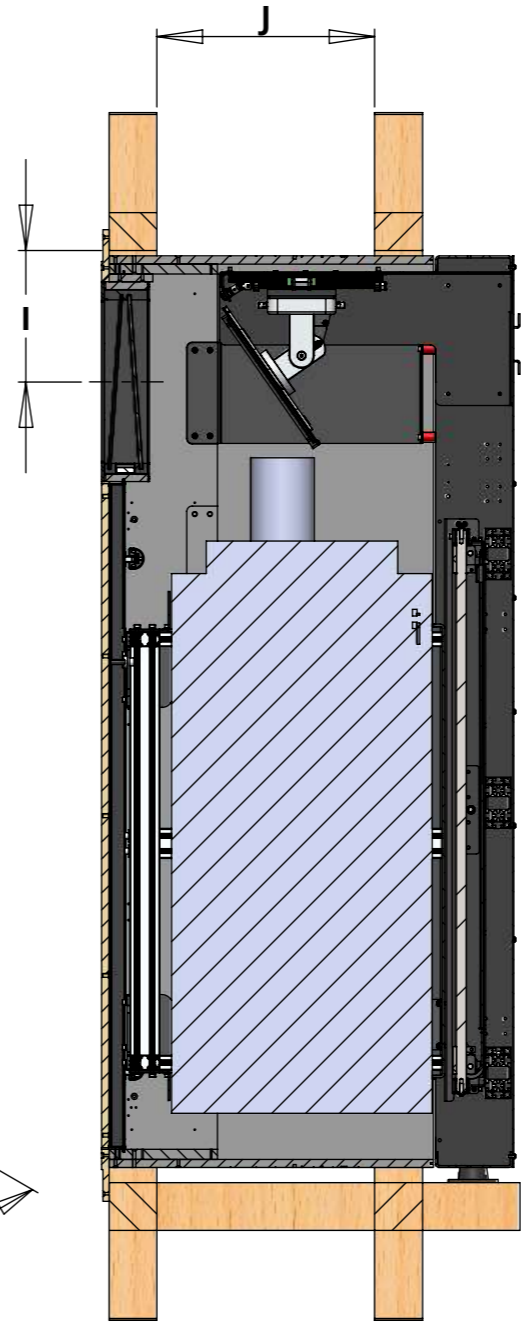


future automation

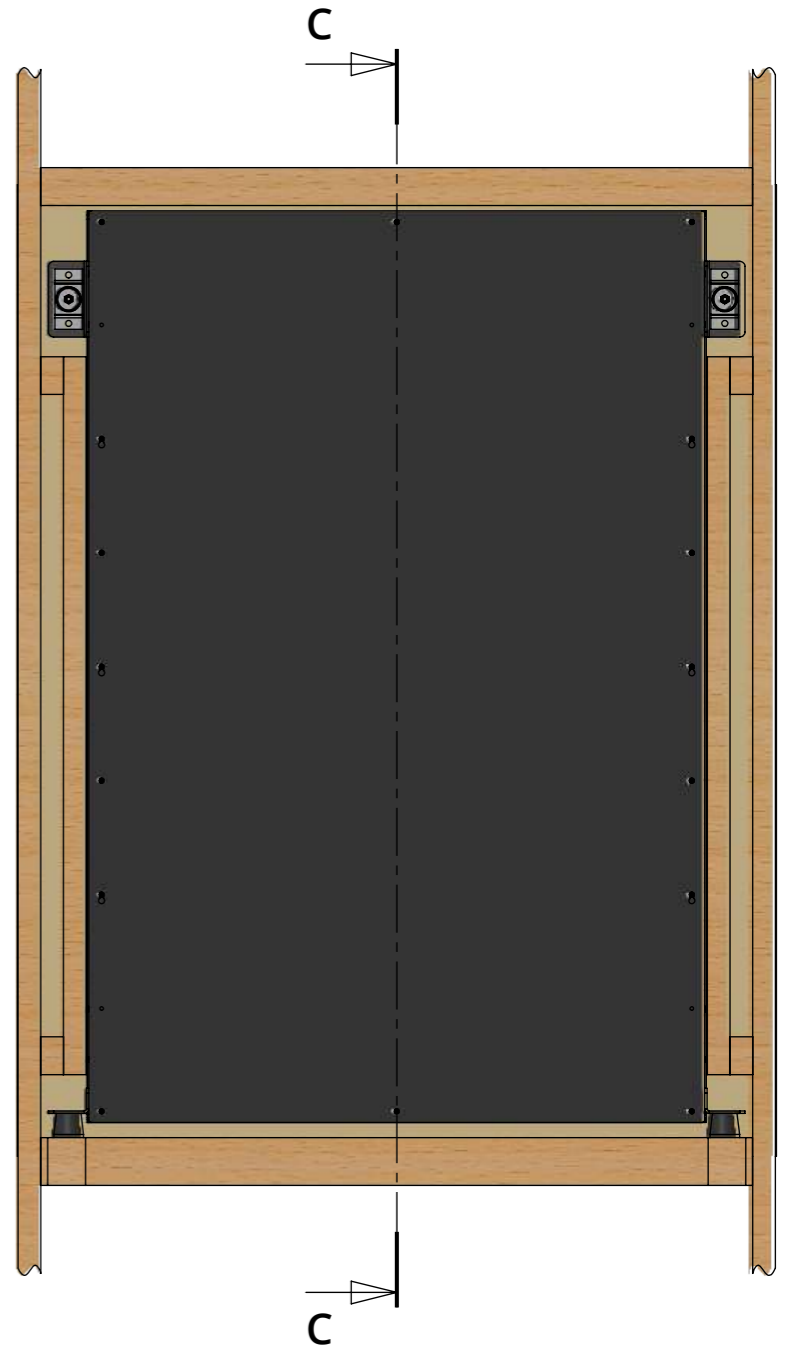
FRAMING DETAILS



A	1849mm [72 13/16"]
B	300mm [11 13/16"]
C	1424mm [56 1/16"]
D	125mm [4 15/16"]
E	1232mm [48 1/2"]
F	1442mm [55 9/16"]
G	1310mm [51 9/16"]
H	815mm [32 1/16"]
I	261mm [10 1/4"]
J	432mm [17"]



SECTION C-C



TECHNICAL SHEET

ISSUE 002
SHEET 6

PCV-F-FREYA

VERTICAL PROJECTOR MOUNT FRONT ACCESS



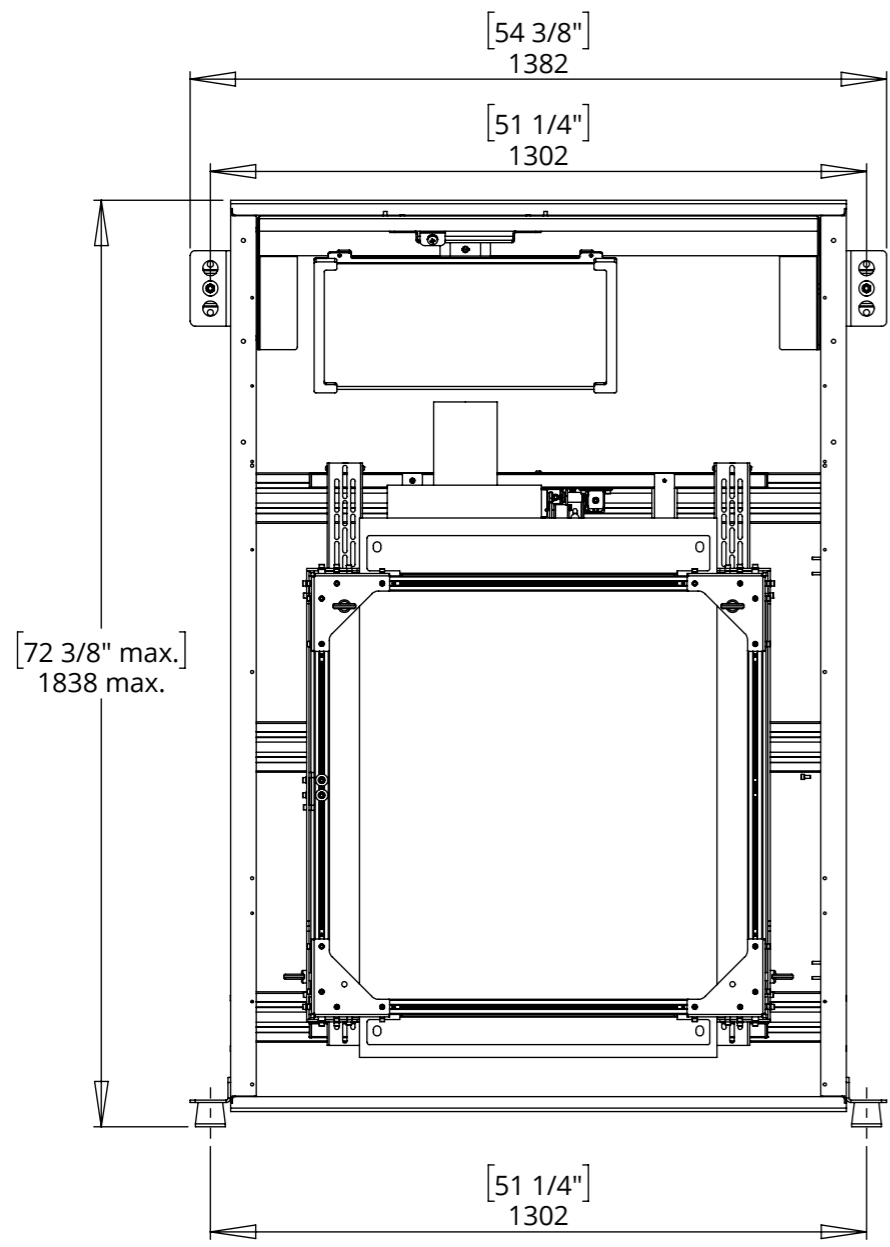
future automation

MOUNTING DETAILS

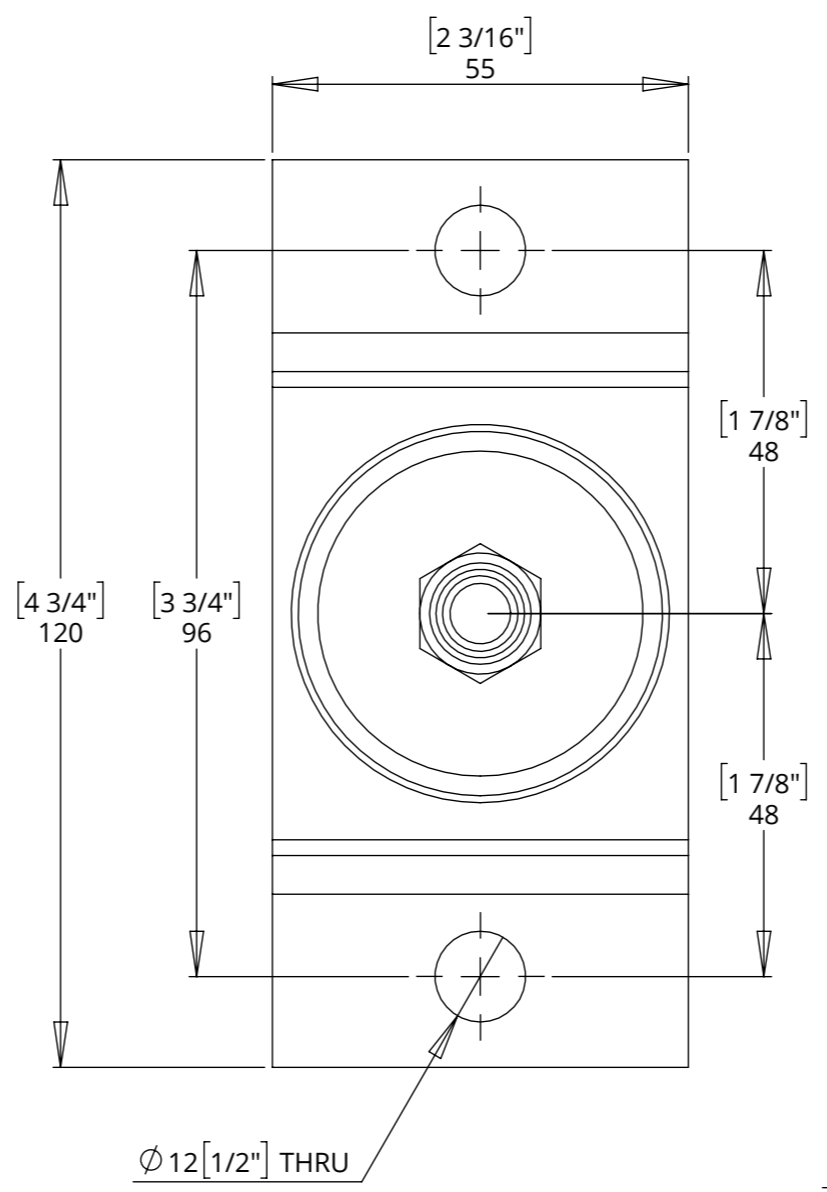
There are 4 mounting points on the PCV-F-FRYA, 2 top and 2 bottom.

The 2 bottom mounts are loading bearing and need to be fixed to a robust structure with appropriate fixings.

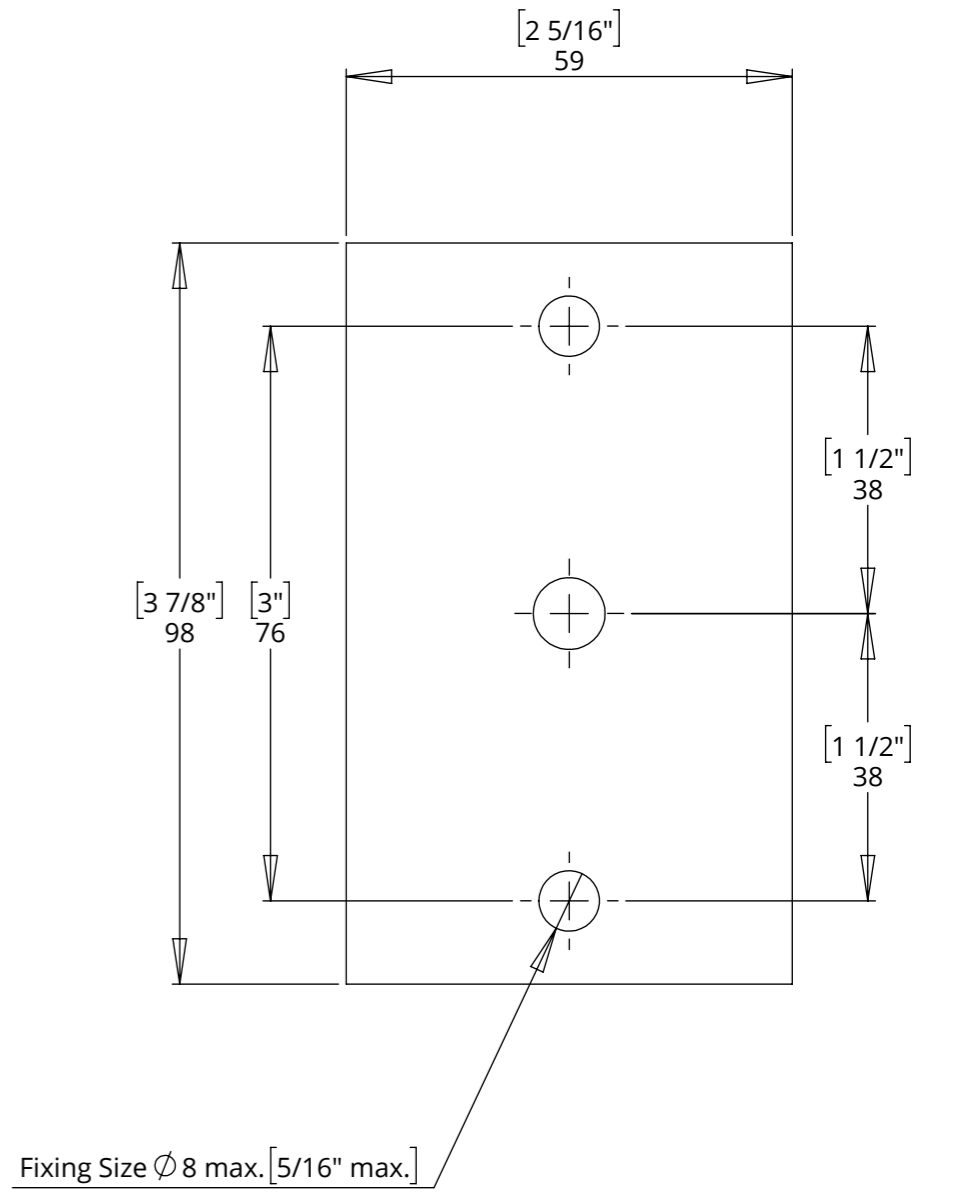
The 2 top mounts can be mounted either to the rear of the cavity or to the front stud wall.



TOP MOUNTS



BOTTOM MOUNTS



PCV-F-FREYA

VERTICAL PROJECTOR MOUNT FRONT ACCESS

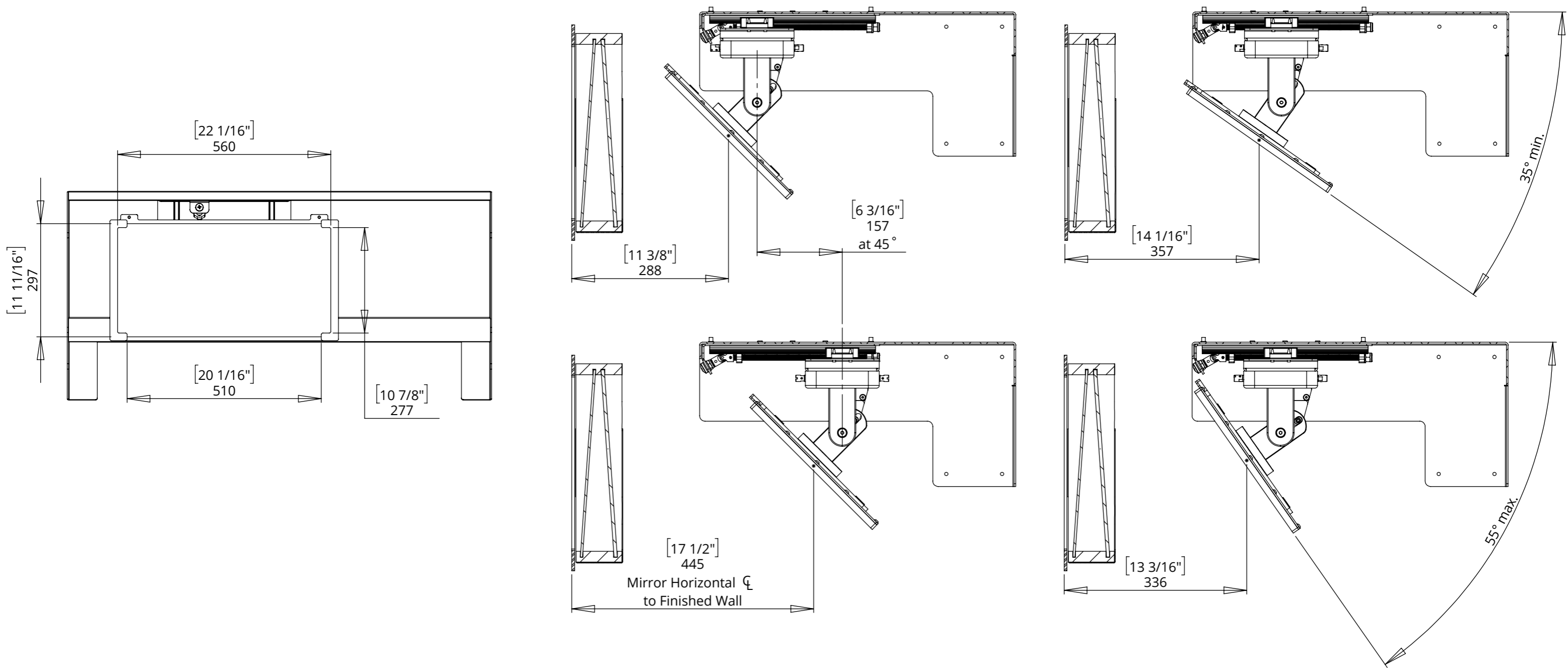


future automation

MIRROR DETAILS

PCV-F-1 comes with a Front Surface Mirror that has multiple axis of adjustment to allow for the correct projection of an image.

The mirror has forward and backward of up to 157mm [6 3/16"] and the mirror can also be set at an angle of 45° ± 10°.



PCV-F-FREYA

VERTICAL PROJECTOR MOUNT FRONT ACCESS



future automation

ACCESS DETAILS

Glass assembly can be removed for more access for example to install a projector lens.

The access panel can be removed for greater access.

The panel can be mounted on either side of the opening.

