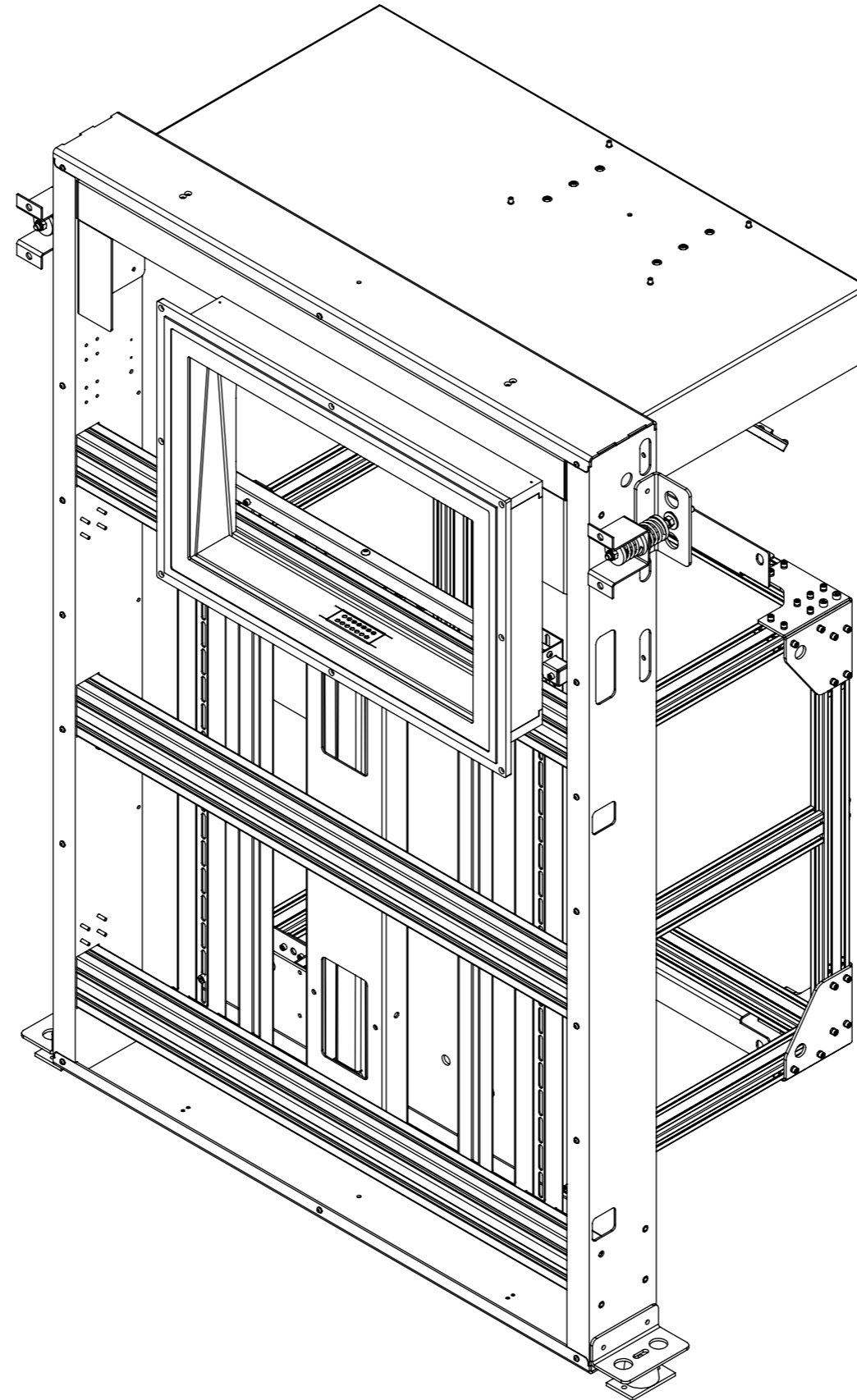


PCV-R-FREYA

VERTICAL PROJECTOR MOUNT REAR ACCESS



future automation



PCV-R-FREYA

VERTICAL PROJECTOR MOUNT REAR ACCESS



SPECIFICATION	MEASUREMENTS					
Product Dimensions	1838mm (72 3/8") H max. x 1382mm (54 7/16") W x 788mm (31") D min.					
Maximum Weight Capacity	120Kg (265lb)					
Minimum Supported Throw Ratio	1.6					
Glass Angle	9° between Panes, 4.5° from Vertical					
Glass Thickness	1 x 4mm (3/16") Thick Pane 1 x 6mm (1/4") Thick Pane					
Glass Specification	Schott CONTURAN® Magic, Float Glass (Extra Clear) blue & green					
Glass Luminous Reflectance (ρ vA)	ca. 0.9%					
Glass Regular Spectral Reflectance (ρ (λ))	glass substrate, colour of antireflection coating	Wavelength in nm				
		475	510	550	660	730
	Float glass (extra clear), blue	4%	1.7%	1%	0.8%	4%
	Float glass (extra clear), green	4%	0.9%	1.7%	0.9%	4%
Glass Luminous Transmittance (τ vA)	4mm (3/16") Pane: 99% 6mm (1/4") Pane: 98.5% Combined: 97.5%					
Product Weight	150Kg (88lb) excl. PG-P-650x400					
Packaging Dimensions	TBC					
Shipping Weight	TBC					
Product Options / Features	Specific mounts / adapters, Custom RAL paint finishes					
Package Contents	Mechanism, Bolt Pack					
Marine Suitable	No					

PCV-R-FREYA

VERTICAL PROJECTOR MOUNT REAR ACCESS

DESIGN HIGHLIGHTS

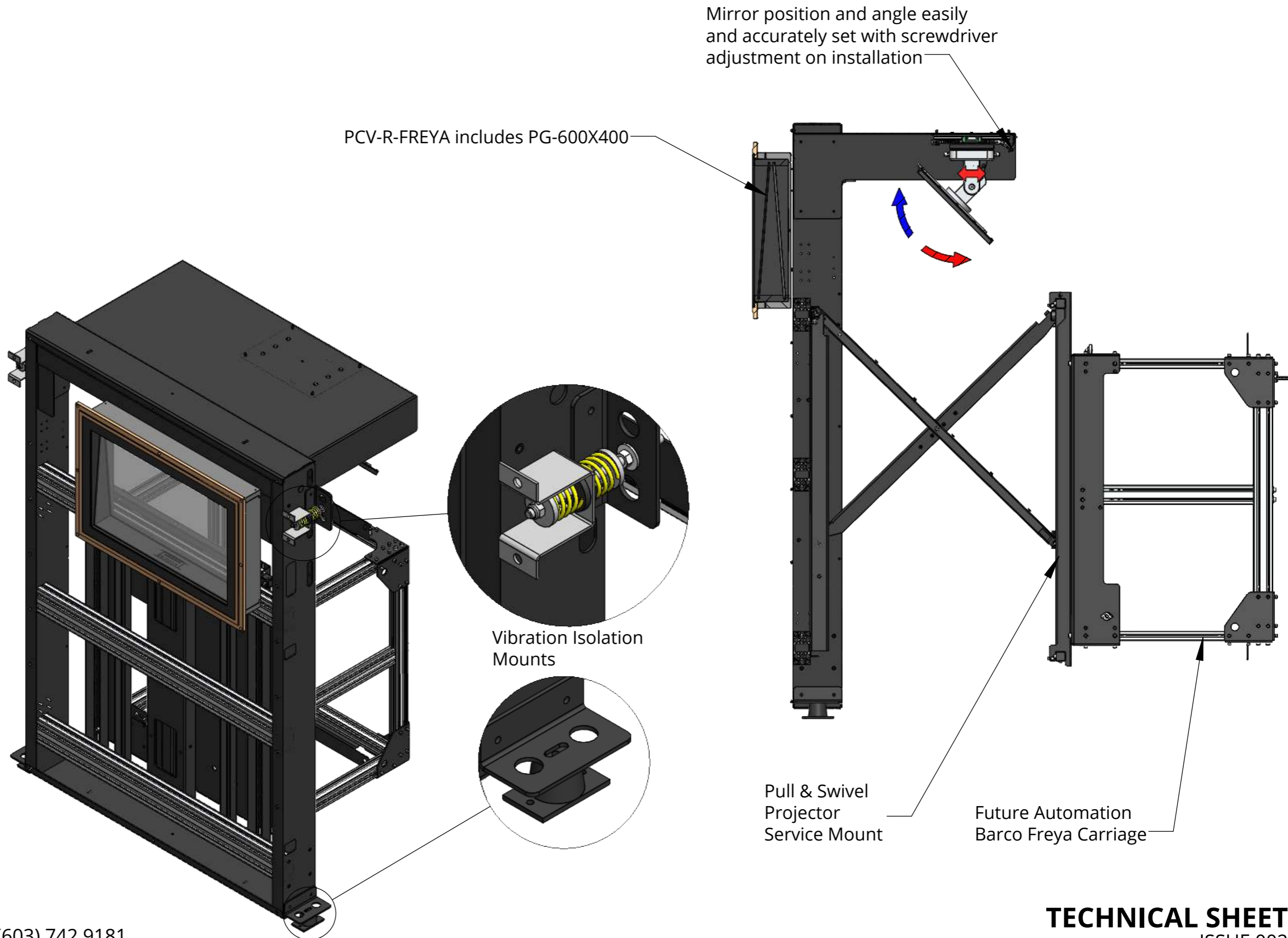
Can support a minimum throw ratio of 1.6.

Dual Pane Port Glass with different thicknesses of glass.

Adjustable mirror with angular adjustment between 35° and 55° and also fine forward and backward adjustment.

Vibration Isolating mounts to limit vibrations on projected image.

Pull & Swivel Projector Service Mount system for simpler install with vertical adjustment.



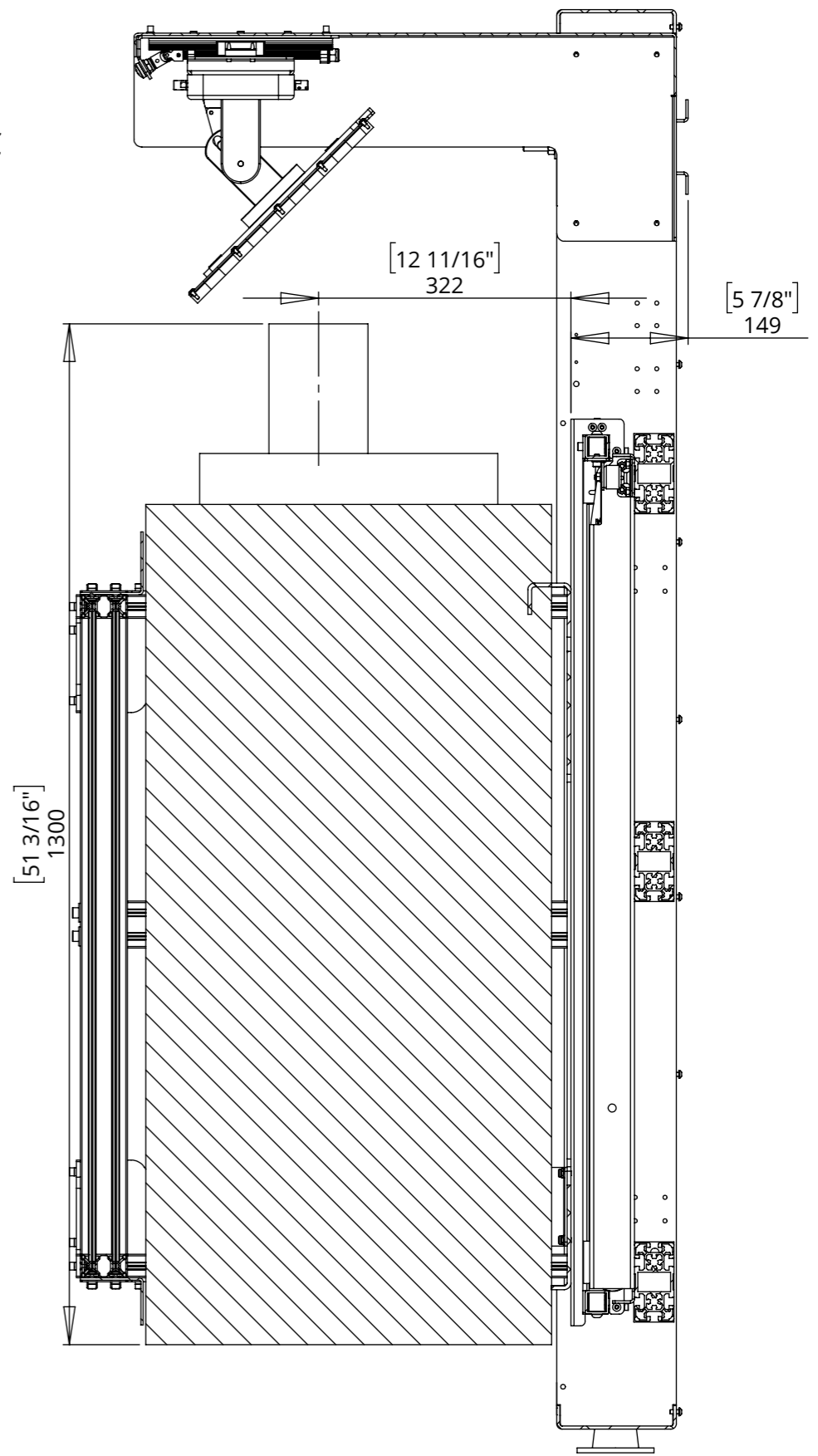
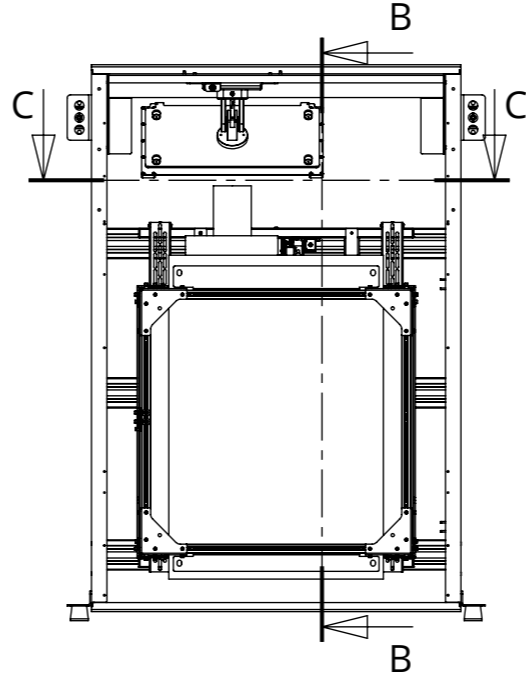
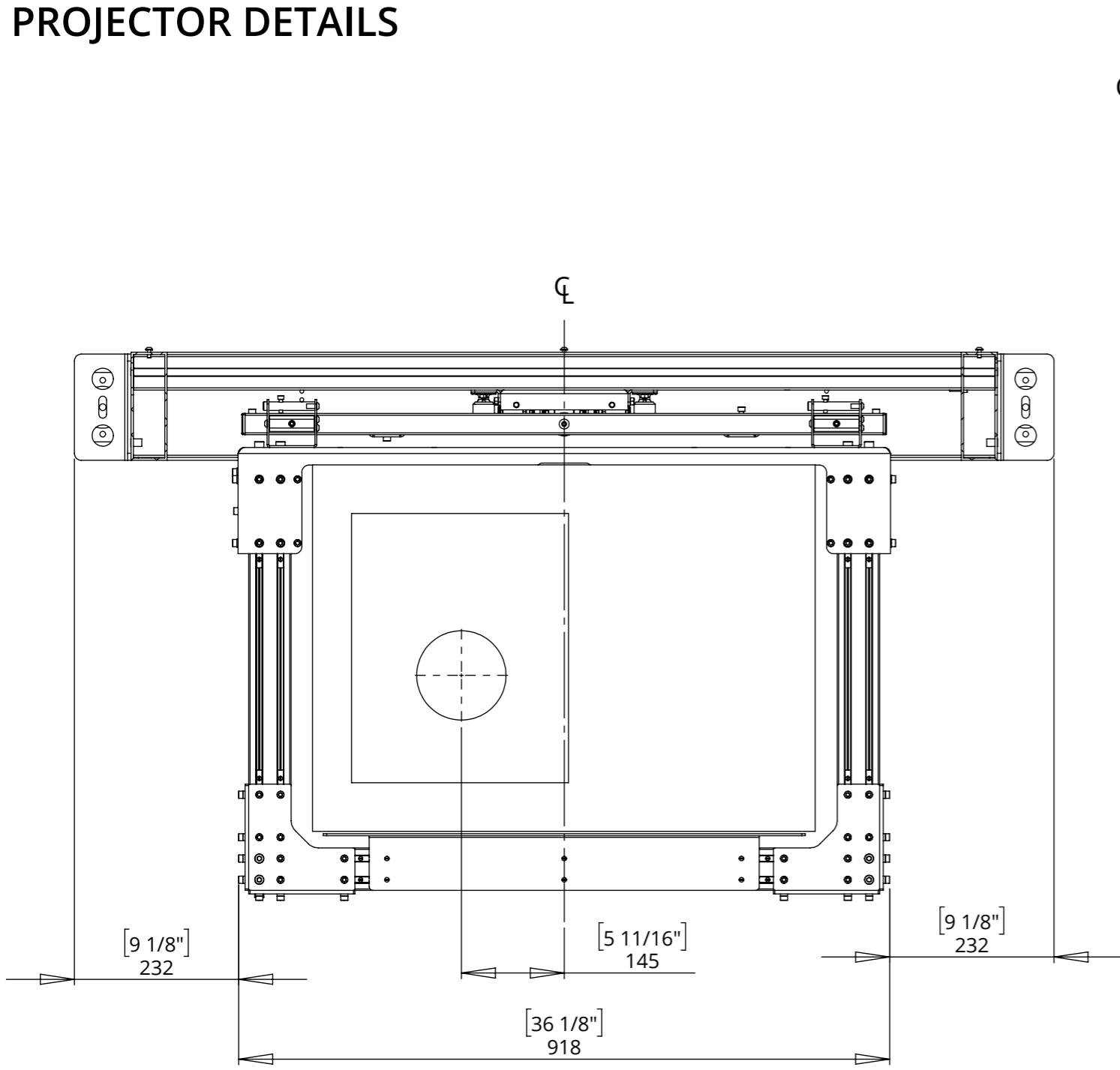
PCV-R-FREYA

VERTICAL PROJECTOR MOUNT REAR ACCESS



future automation

PROJECTOR DETAILS



Sufficient space on all sides for airflow and access to controls and AV inputs.

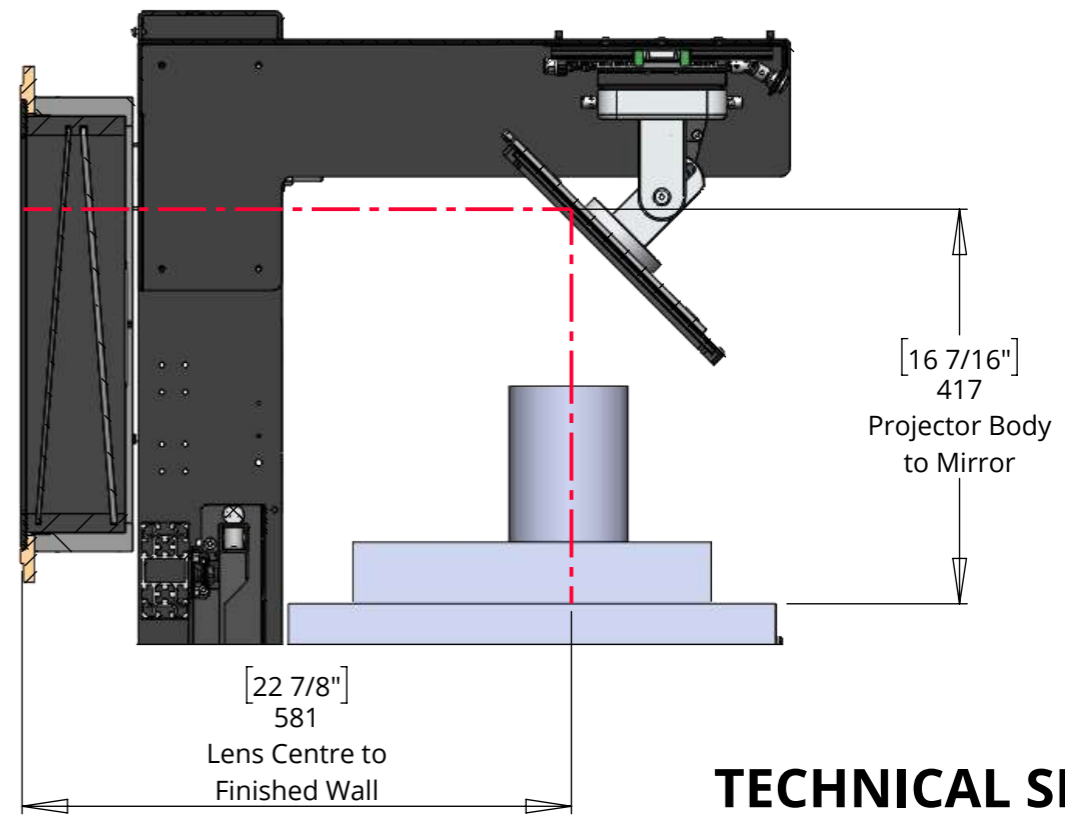
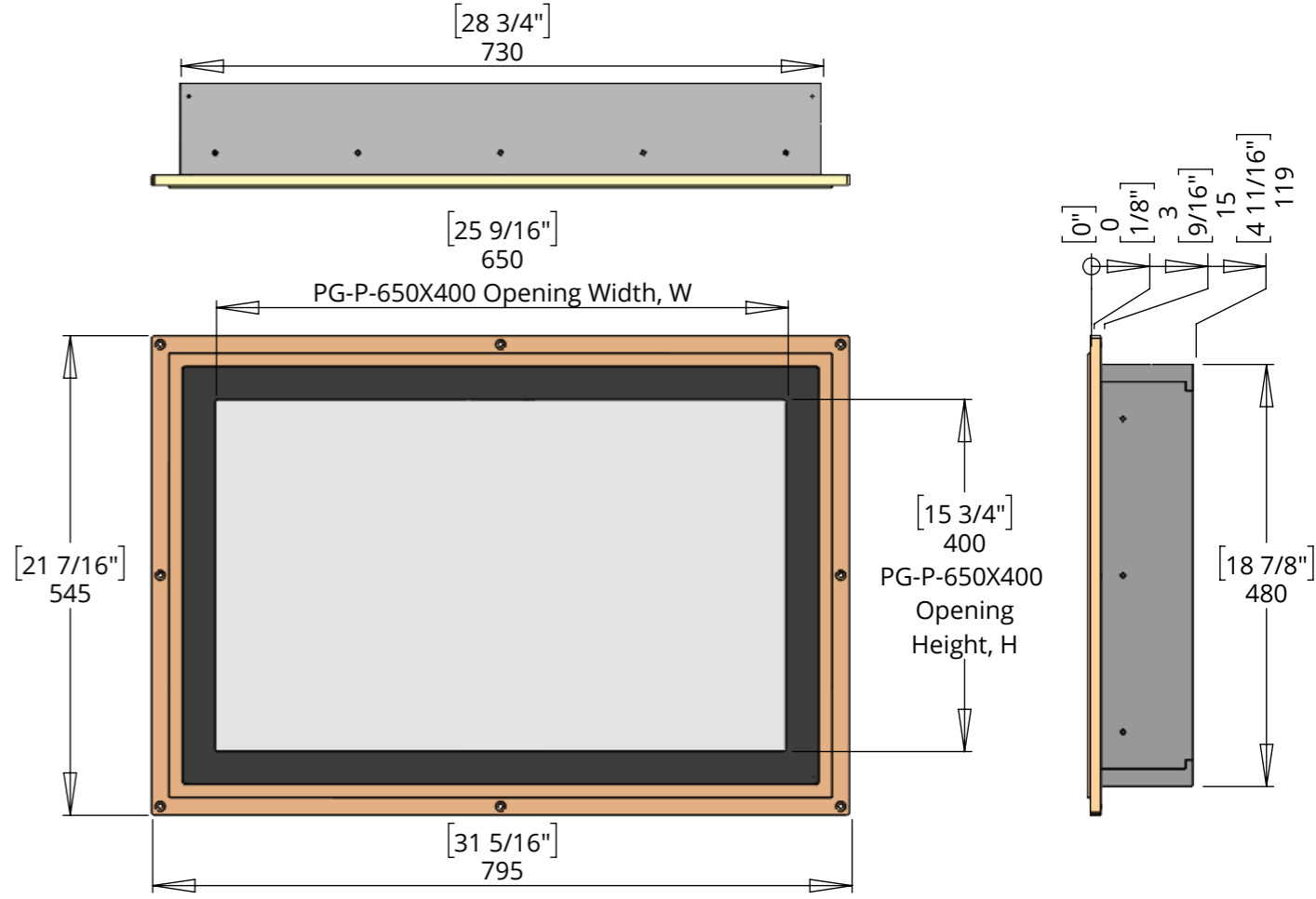
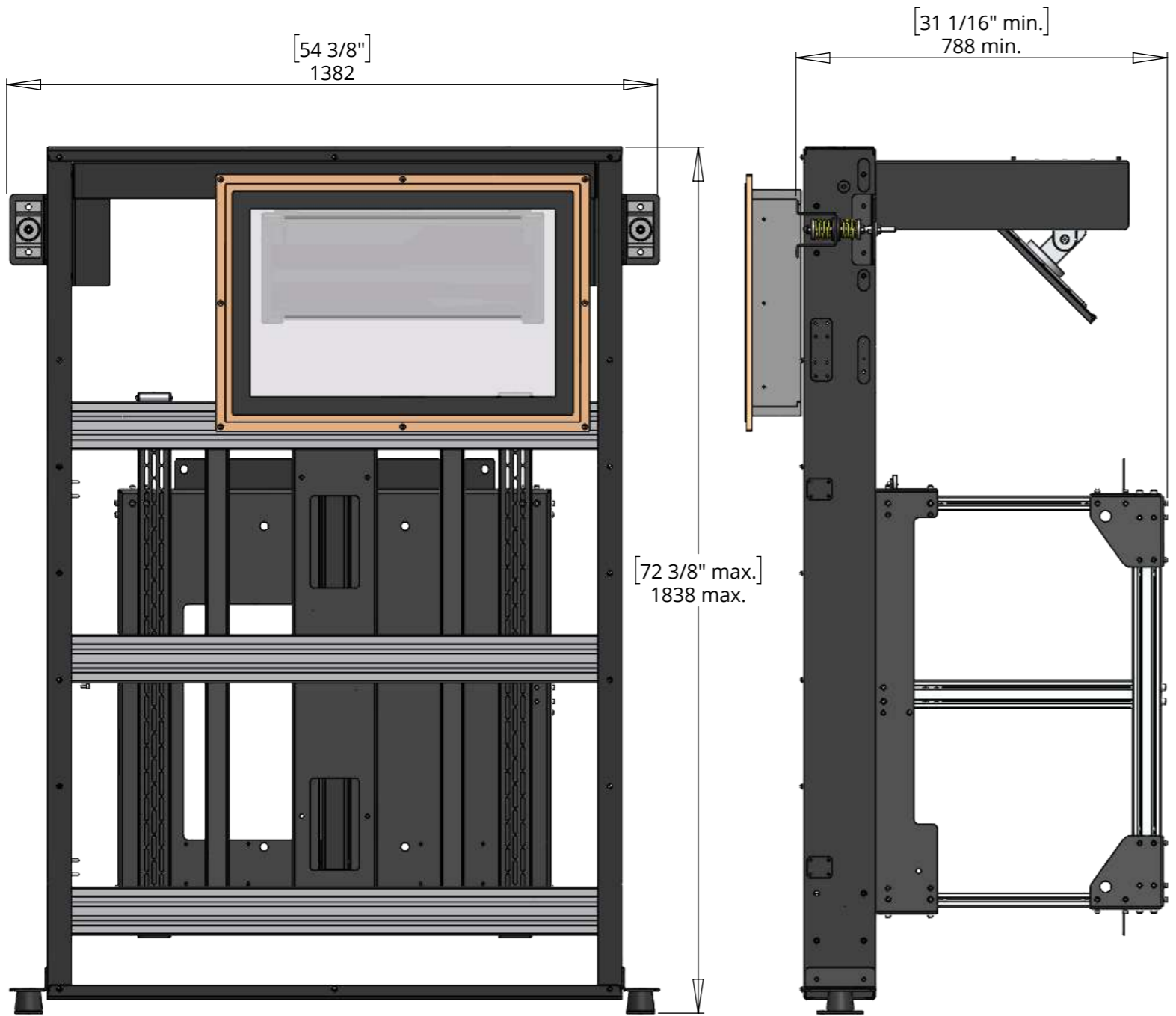
PCV-R-FREYA

VERTICAL PROJECTOR MOUNT REAR ACCESS



future automation

GENERAL DIMENSIONS



PCV-R-FREYA

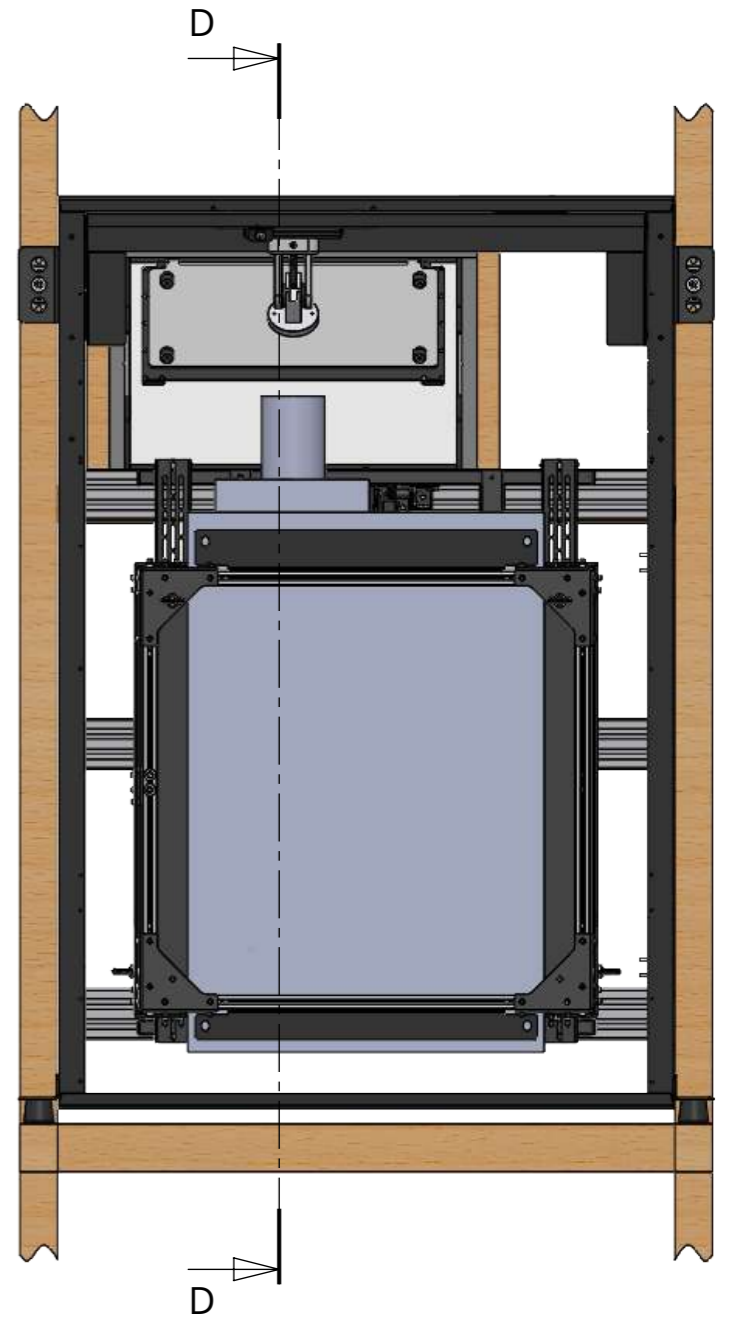
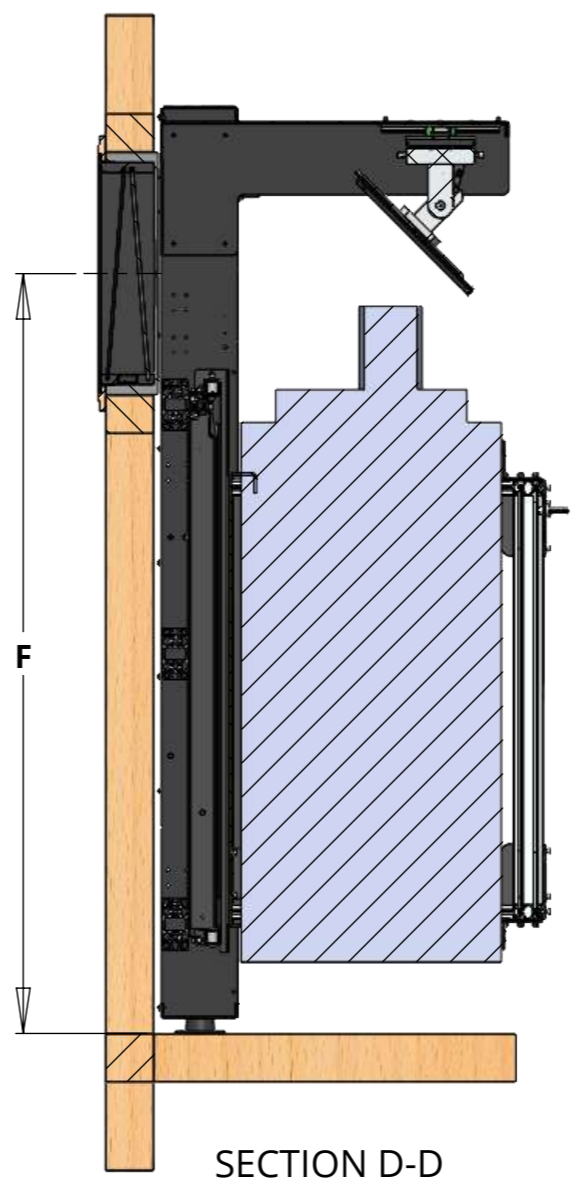
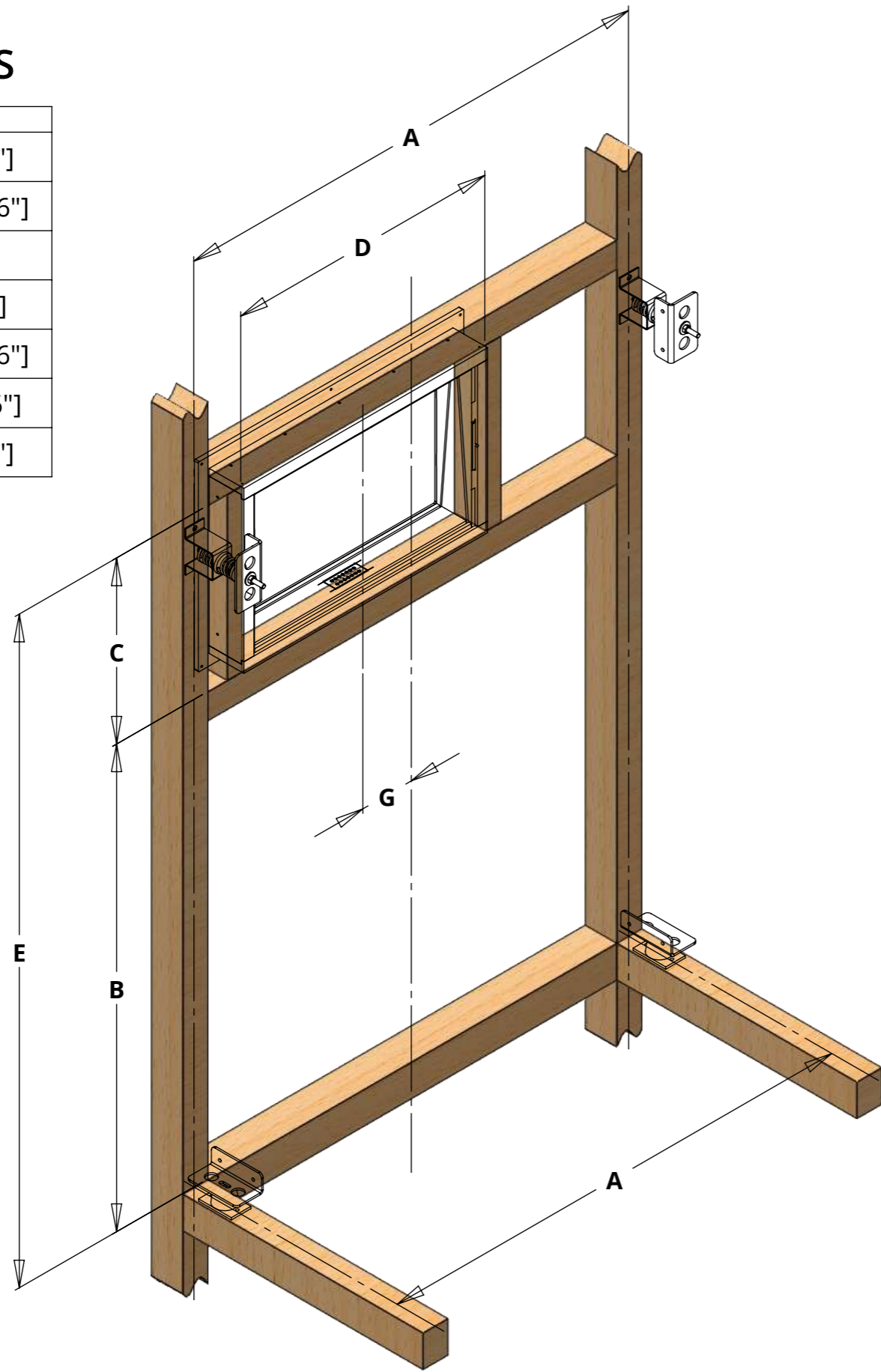


future automation

VERTICAL PROJECTOR MOUNT REAR ACCESS

FRAMING DETAILS

A	1302mm [51 1/4"]
B	1266mm [49 13/16"]
C	483mm [19"]
D	731mm [28 3/4"]
E	1749mm [68 13/16"]
F	1507mm [59 5/16"]
G	145mm [5 11/16"]



PCV-R-FREYA

VERTICAL PROJECTOR MOUNT REAR ACCESS



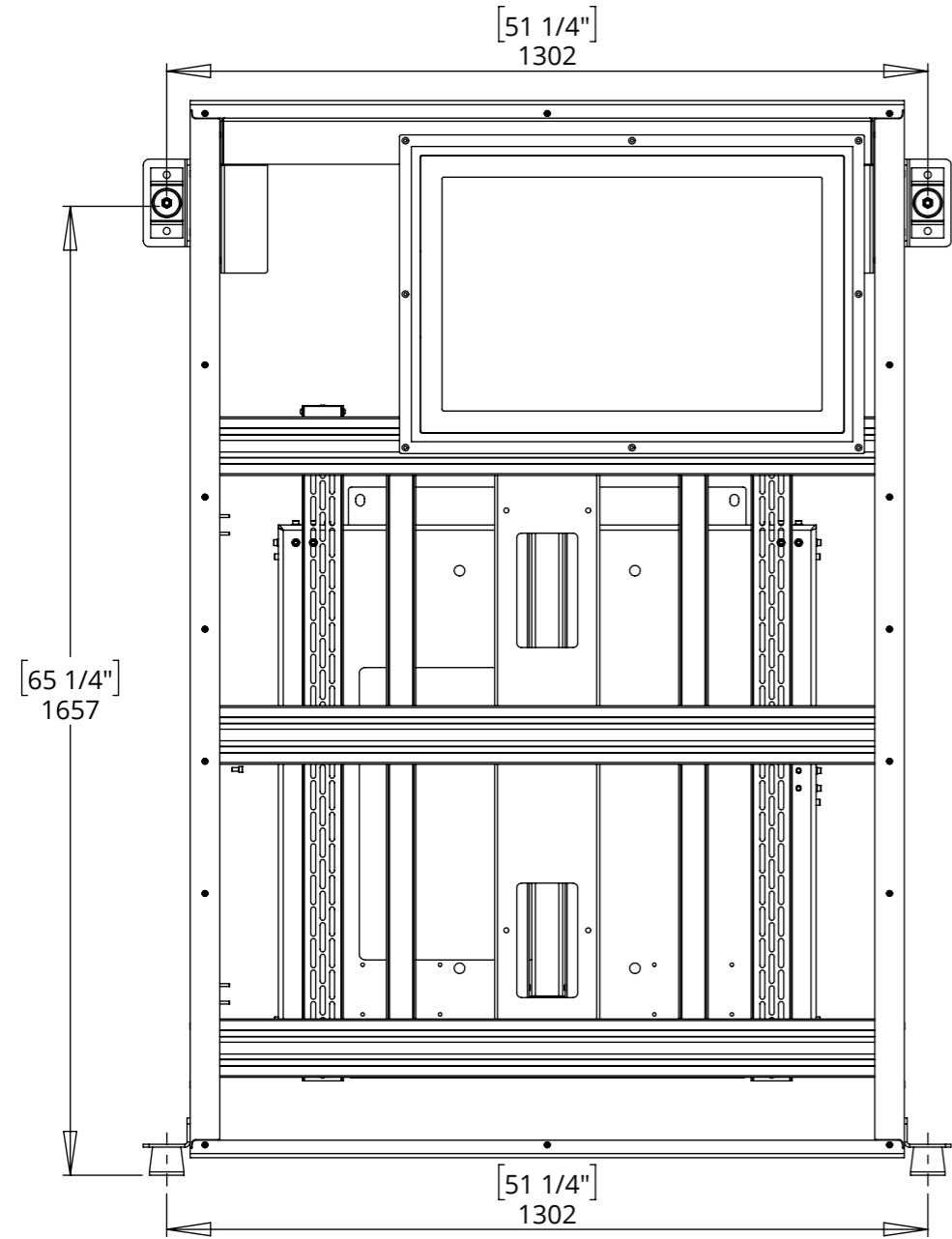
future automation

MOUNTING DETAILS

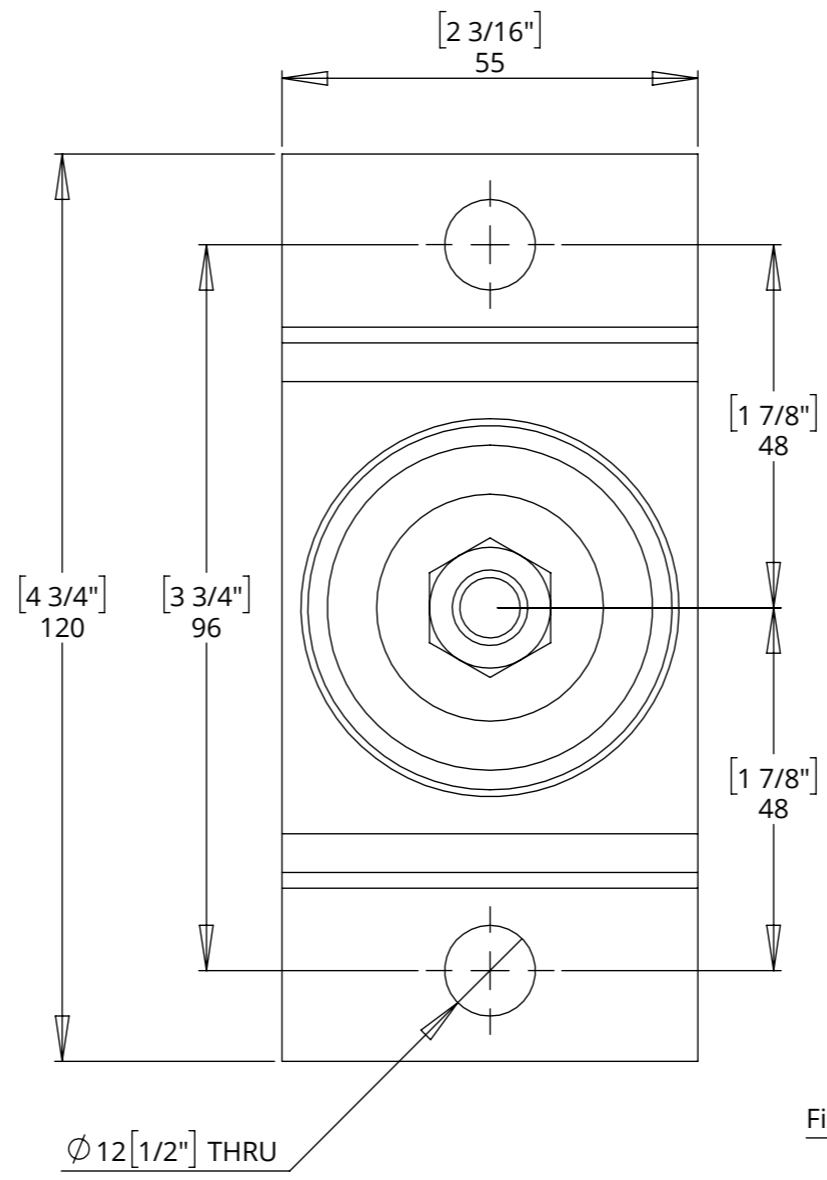
There are 4 mounting points on the PCV-R-FREYA, 2 top and 2 bottom.

The 2 bottom mounts are loading bearing and need to be fixed to a robust structure with appropriate fixings.

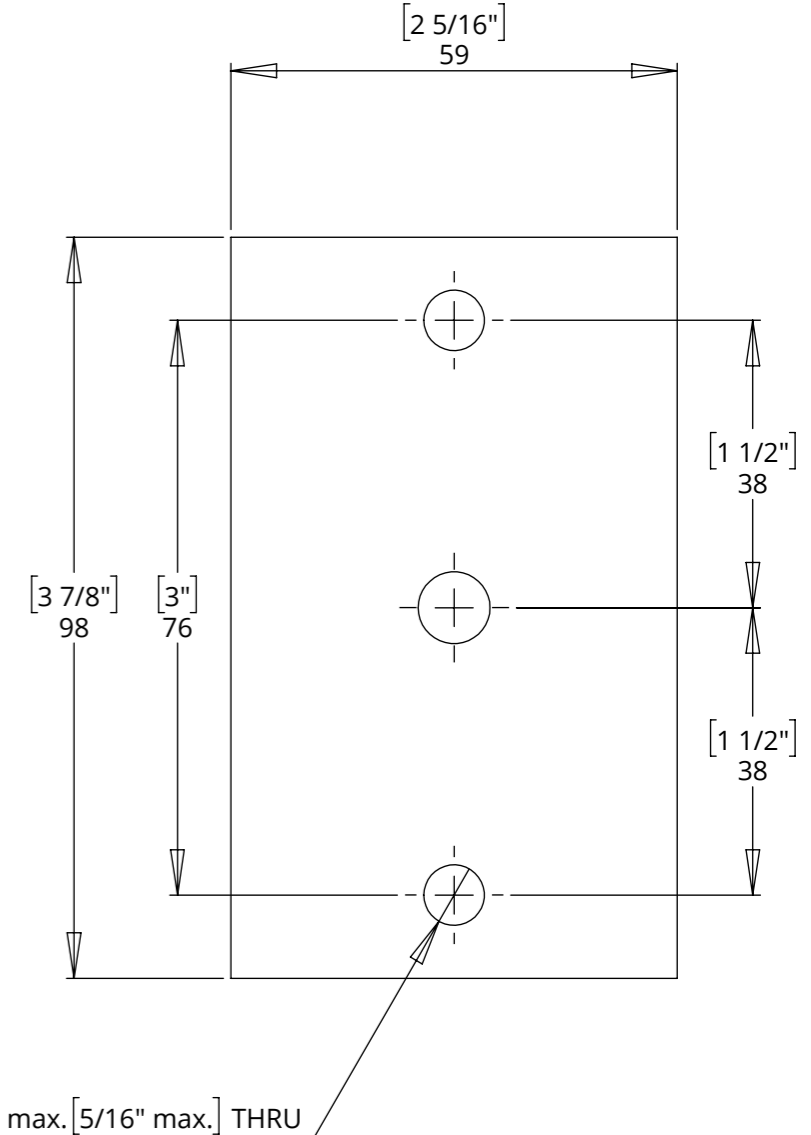
The 2 top mounts can be mounted either to the rear of the cavity or to the front stud wall.



TOP MOUNTS



BOTTOM MOUNTS



PCV-R-FREYA

VERTICAL PROJECTOR MOUNT REAR ACCESS



future automation

MIRROR DETAILS

PCV-R-FREYA comes with a Front Surface Mirror that was multiple axis of adjust to allow for the correct of an image.

The mirror has forward and backward of up to 110mm [4 5/16"] and the mirror can also be set at an angle of $45^\circ \pm 10$.

