



DESIGN HIGHLIGHTS

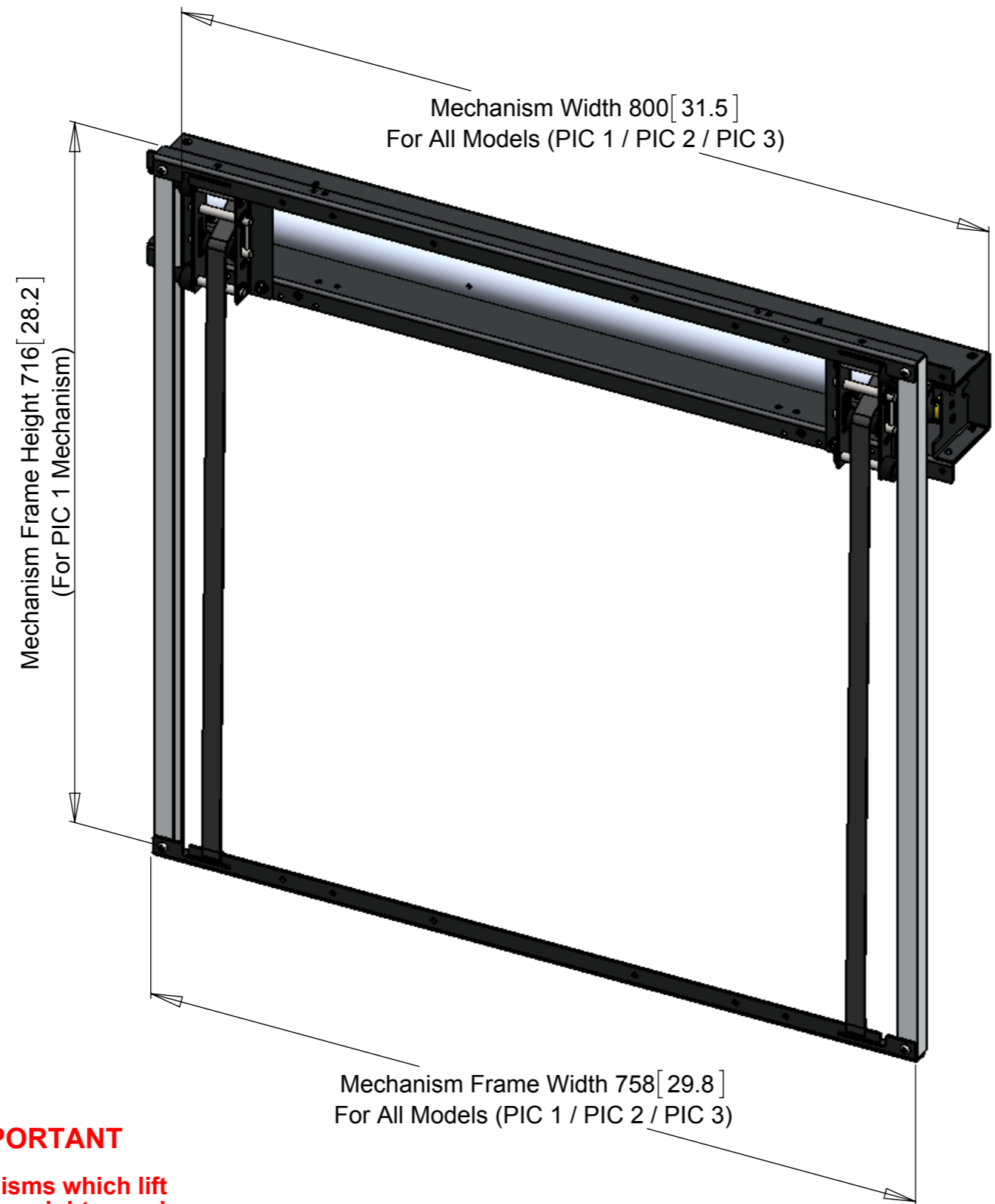
- Quiet smooth motion
- Stylish look and finish

OPTIONS

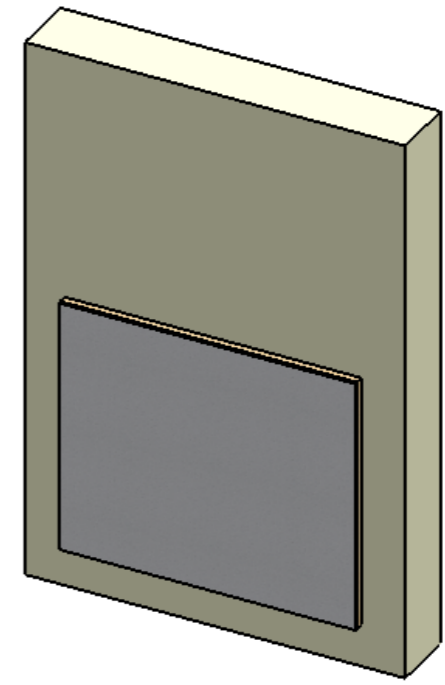
- PIC 1 size available (for maximum travel of 560 [22.2])
- PIC 2 size available (for maximum travel of 710 [28.0])
- PIC 3 size available (for maximum travel of 860 [33.9])

NOTE

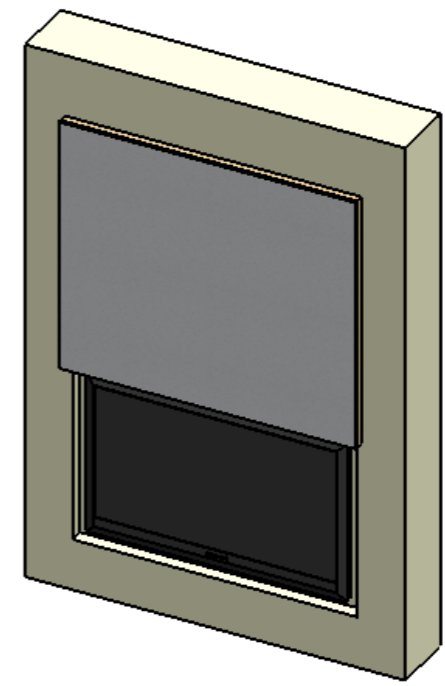
- All dimensions are measured in mm [in]



DOWN POSITION



UP POSITION



FUNCTION

This mechanism will move a panel vertically to reveal a screen behind.

SUITABILITY

This technical sheet uses the smallest version (PIC 1) of the mechanism as an example.

SPECIFYING

The mechanism requires the screen to be recessed into the wall.

Maximum panel weight is 10kg [22.0lb].

CONTROL

Supplied with basic infrared remote. Can be learnt by many learning remotes.

Also has switch control and RS232 so can be operated by relays, switches, Crestron / AMX or Lutron systems.

WARNING

It is the responsibility of the installer to warn all potential end users of the dangers of interfering with mechanisms during operation

IMPORTANT

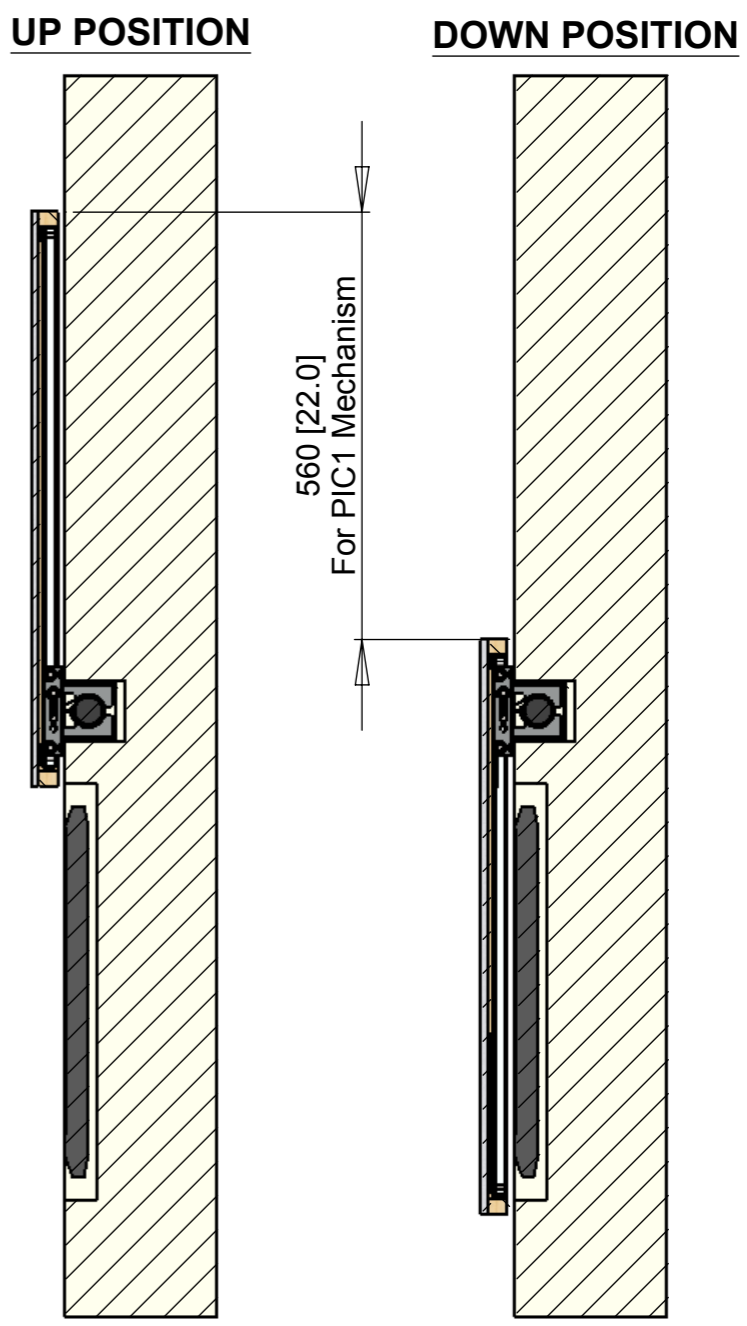
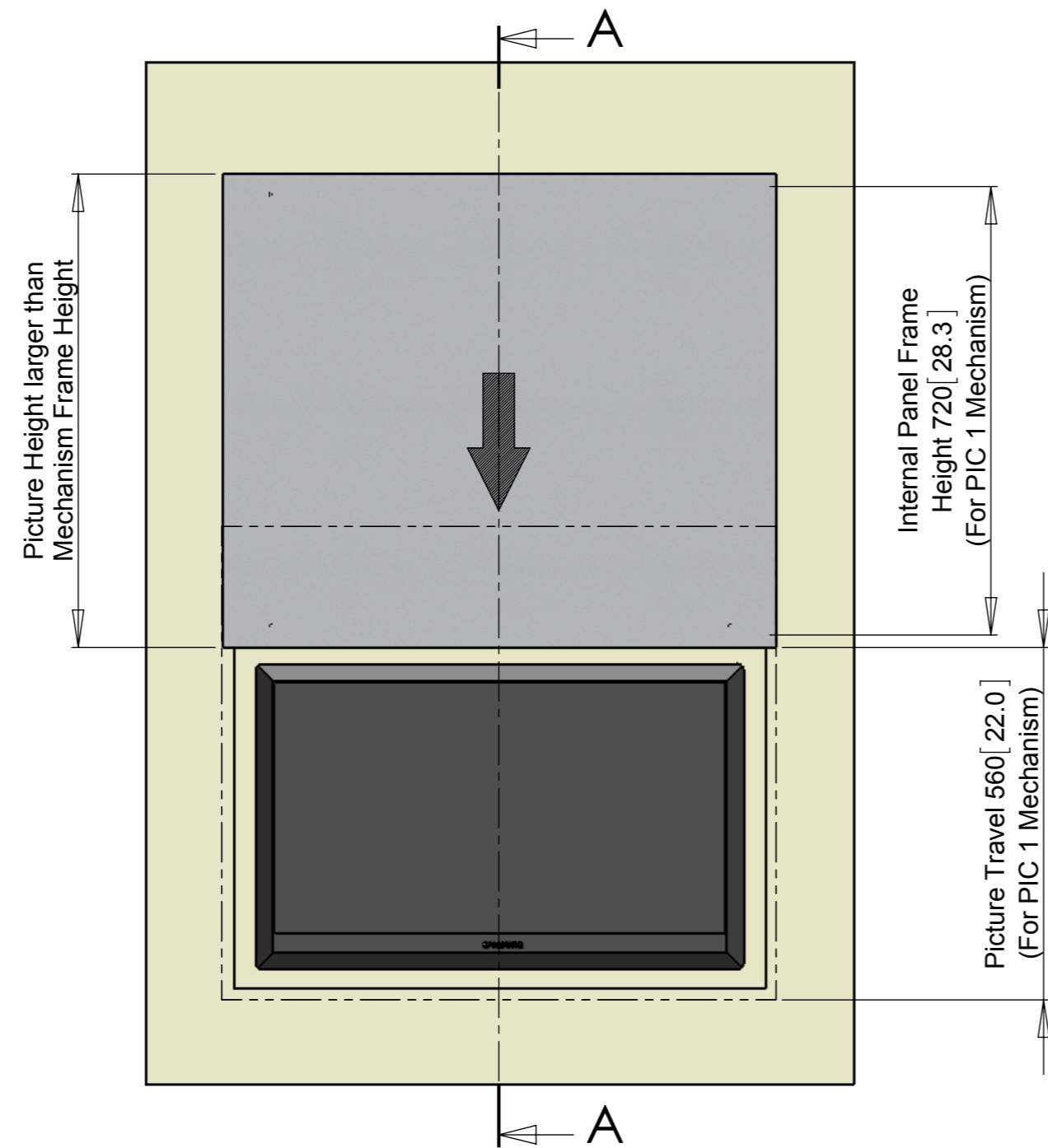
Mechanisms which lift or move weights need to be checked on a yearly basis for any damage which may result in an accident



Mechanism Selection

PROCEDURE:

1. Decide the required 'Picture Travel'. Ensuring the screen recess height is accounted for and shall be covered by the picture.
2. Select mechanism based on 'Picture Travel' and 'Mechanism Frame Height' using Mechanism Selection/Sizing Table.
3. Ensure Picture is larger than the 'Mechanism Frame'.



MECHANISM SELECTION / SIZING TABLE		
MECHANISM	PICTURE TRAVEL	INTERNAL PANEL FRAME HEIGHT
PIC 1	560 [22.2]	720 [28.3]
PIC 2	710 [28.0]	870 [34.3]
PIC 3	860 [33.9]	1020 [40.2]
PIC CUSTOM	CUSTOM HEIGHT - 160 [6.3]	CUSTOM HEIGHT

NOTE
Mechanism frame is designed to fit within sizes shown in the table. Mechanism frame will typically be 3 - 4mm [0.1 - 0.2"] smaller than internal panel frame height.

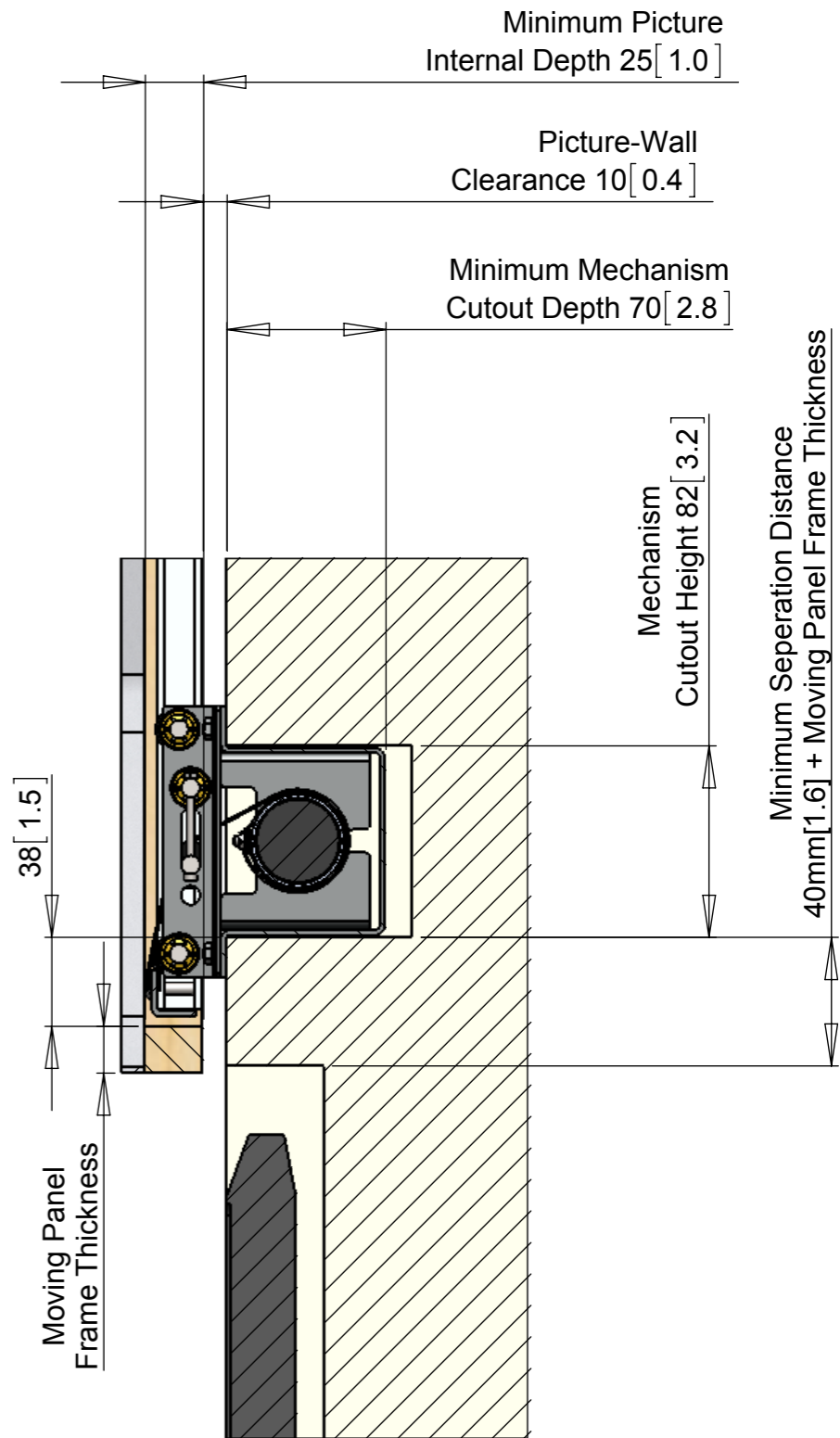
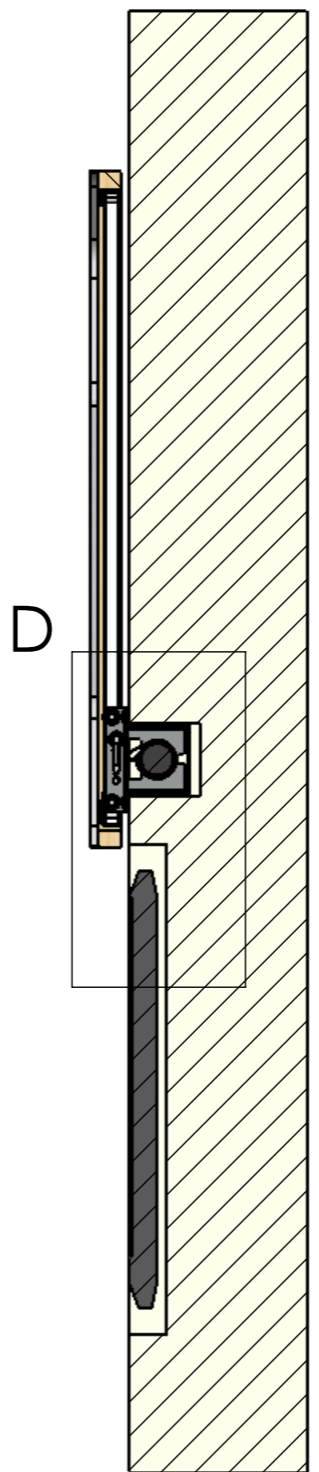
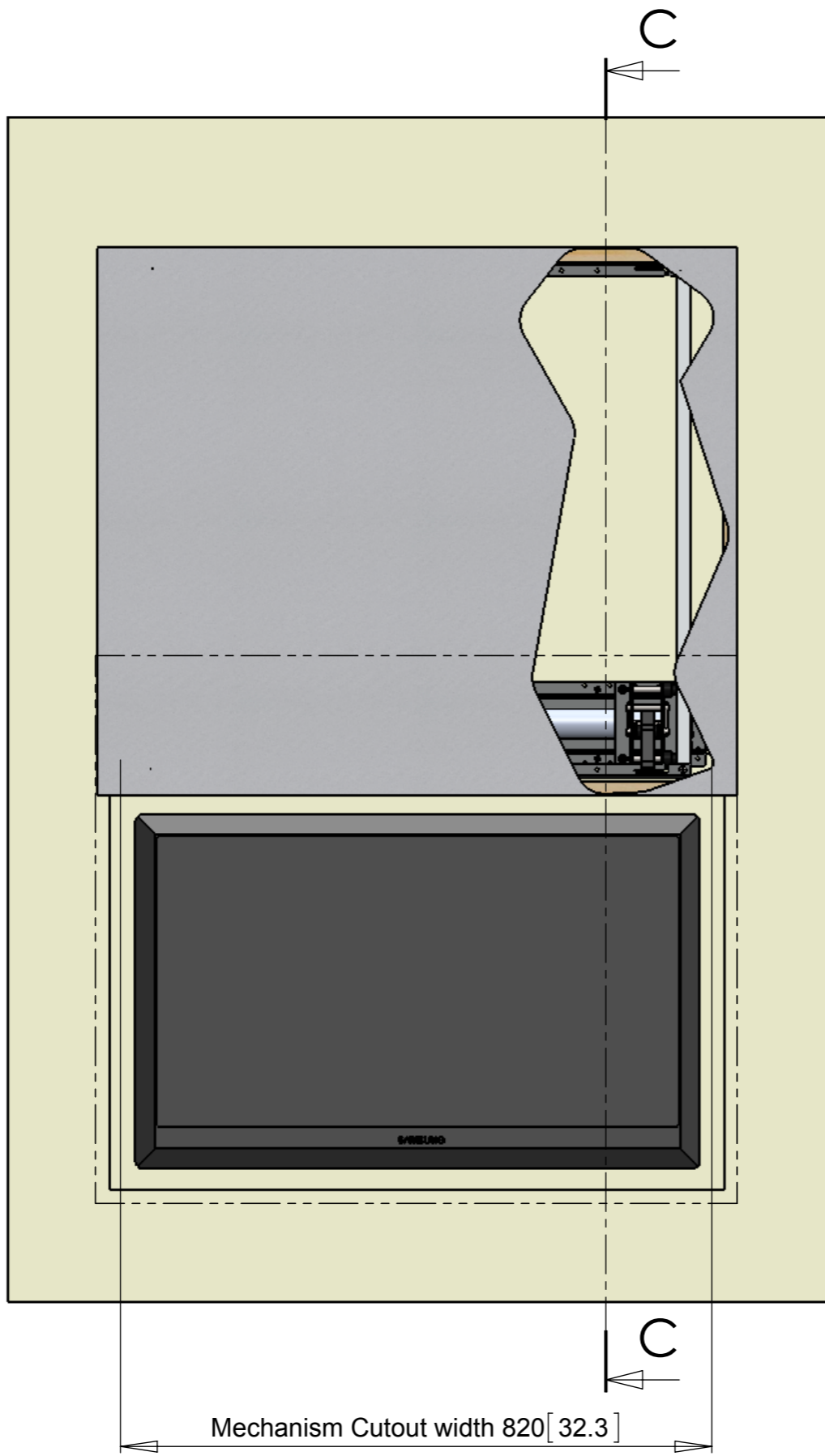


Mounting Details

NOTE:
The screen should be mounted in a recess with suitable clearance around it for ventilation and mounting.
The depicted representative setup has the screen mounted on a Future Automation VESA300 (V3) product.

CONTROL & SIGNAL:
A control box (measuring 220mm X 150mm X 55mm) shall need to be located in an easily accessible location.
A four-core mains power cable shall need to be routed from the control box to the mechanism.
A 1500mm long infrared lead shall be connected to the control box.

PICTURE PANEL:
The maximum moving panel weight that the mechanism can lift is 10kg [22.0lb].
Custom designs can be made to lift more; all custom designs have extra costs and longer lead times.



DETAIL D