



### DESIGN HIGHLIGHTS

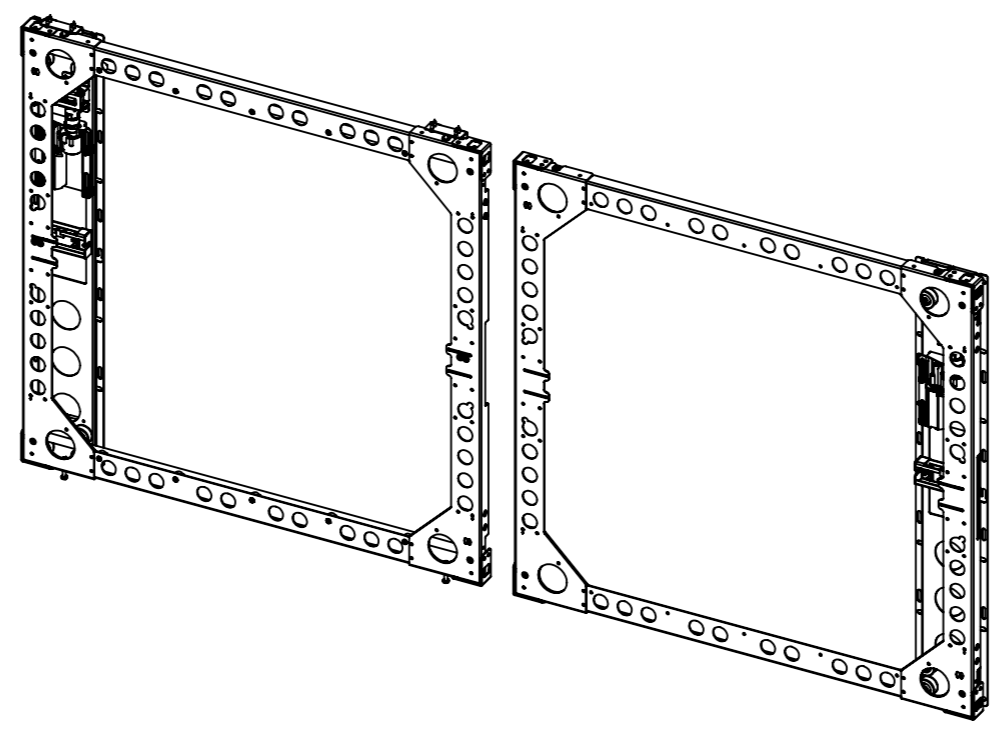
- Quiet, smooth action with a 'ramped' start and finish motion profile
- Surface mounted design for simplified installation
- Vibration isolated components
- Intelligent electronics keep mechanisms synchronised at all times
- Easy adjustment of mechanism end stops
- Sophisticated electronics help prevent 'finger trapping' between the panels

### OPTIONS

- Other size mechanisms (for screens up to 42" and 55") available

### NOTE

- All dimensions are measured in mm [in].



### FUNCTION

This mechanism will open two panels to reveal a screen behind. The mechanism could be used to reveal any recessed item, such as a safe or hi-fi equipment.

### SUITABILITY

This technical sheet is for the smallest version of the mechanism. It is typically suitable for screens up to 65". See recess size for restrictions.

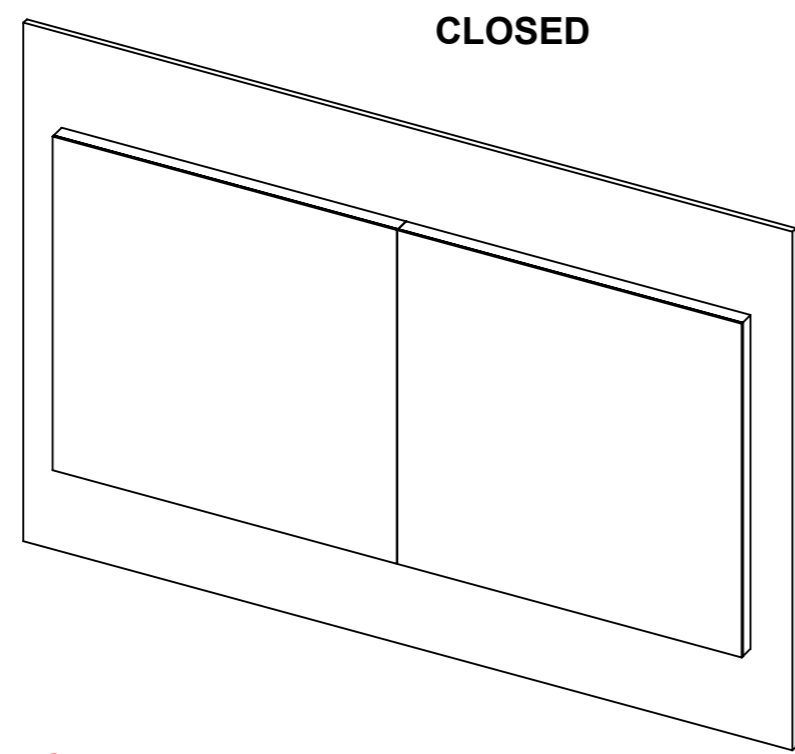
### SPECIFYING

The mechanism requires the screen to be recessed into the wall.  
Maximum panel weight is 15kg [33.0lb].

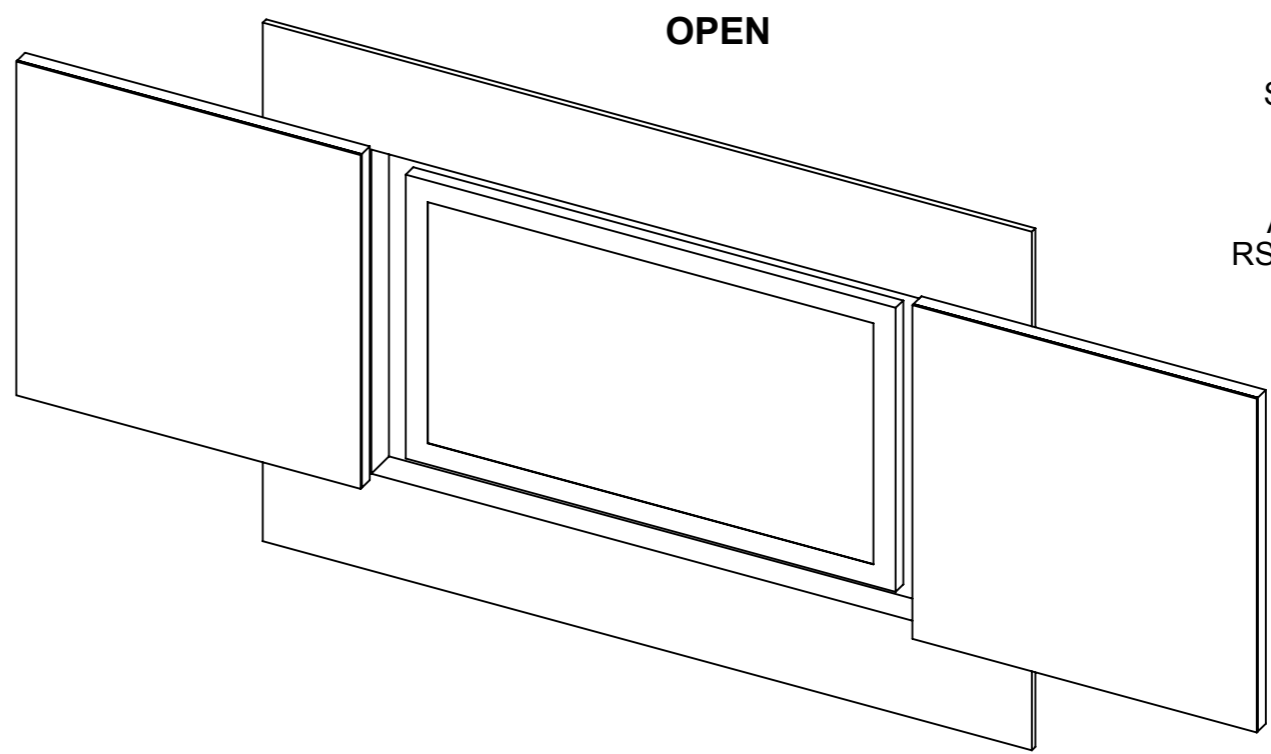
### CONTROL

Supplied with basic infrared remote. Can be learnt by many learning remotes.

Also has switch control and RS232 so can be operated by relays, switches, Crestron / AMX or Lutron systems.



CLOSED



OPEN

### WARNING

It is the responsibility of the installer to warn all potential end users of the dangers of interfering with mechanisms during operation

### IMPORTANT

Mechanisms which lift or move weights need to be checked on a yearly basis for any damage which may result in an accident



## Recess Details

### CABLES:

During installation, cables between the two mechanisms shall be required to run to a suitable storage location; connecting to the control box (200[7.9] x 150[5.9] x 50[2.0]).

A nominal  $\phi 40\text{mm}[1.6]$  cable entry/exit hole is recommended to provide suitable access for cable routing.

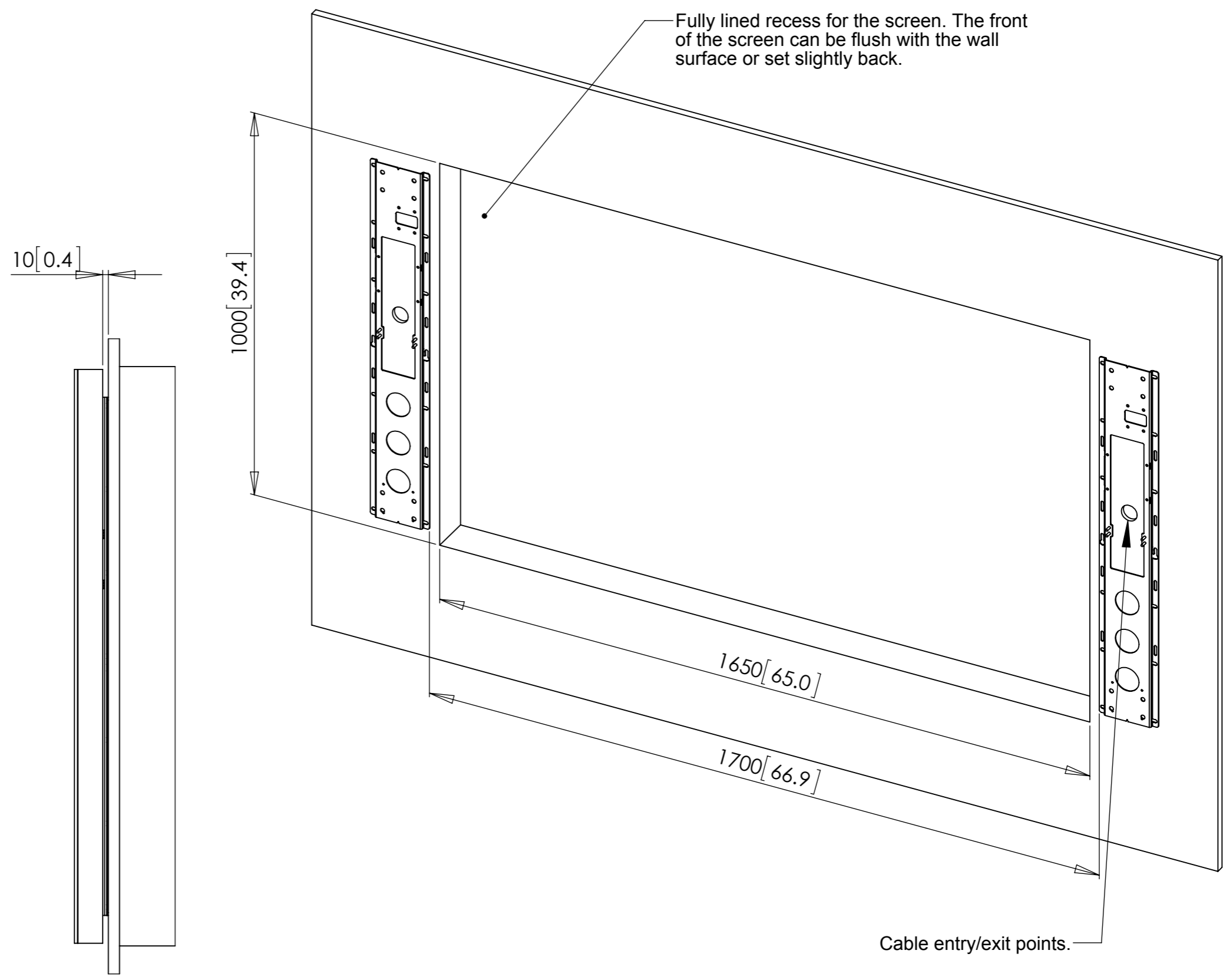
The control box shall need to be connected into a mains (13A) plug socket. An infrared receiver on a 1.5m[59.1] lead is also plugged into the control box.

### PANELS:

The moving panels shall be 10mm[0.4] proud of the wall surface.

### NOTE:

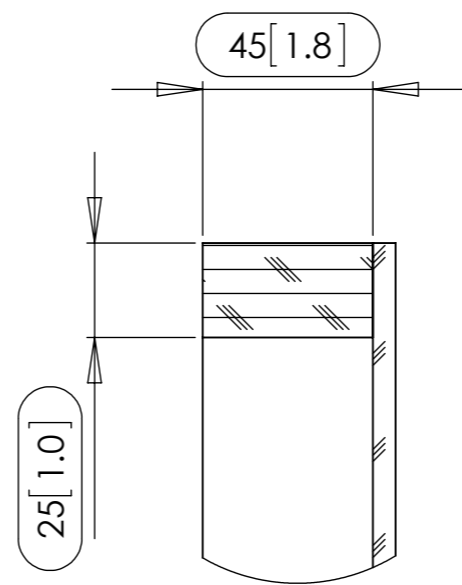
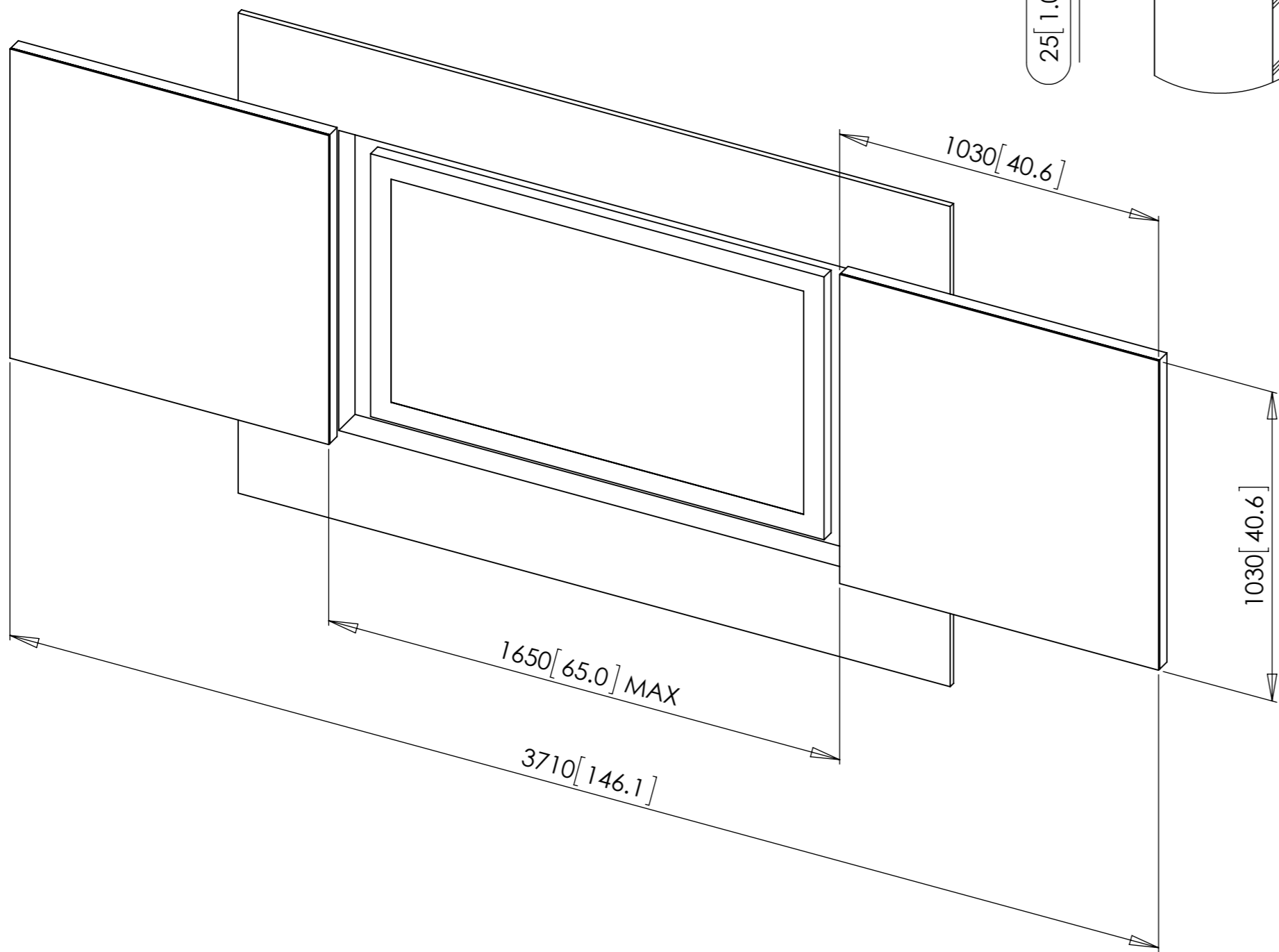
1650mm[65.0] is the widest recess this version of the mechanism can cover. This dimension can be reduced for small recesses but **not** increased.



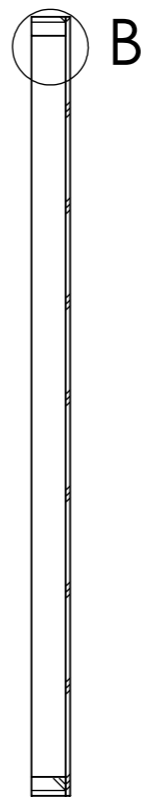
## Panel Details

These are suggested dimensions for the panels.

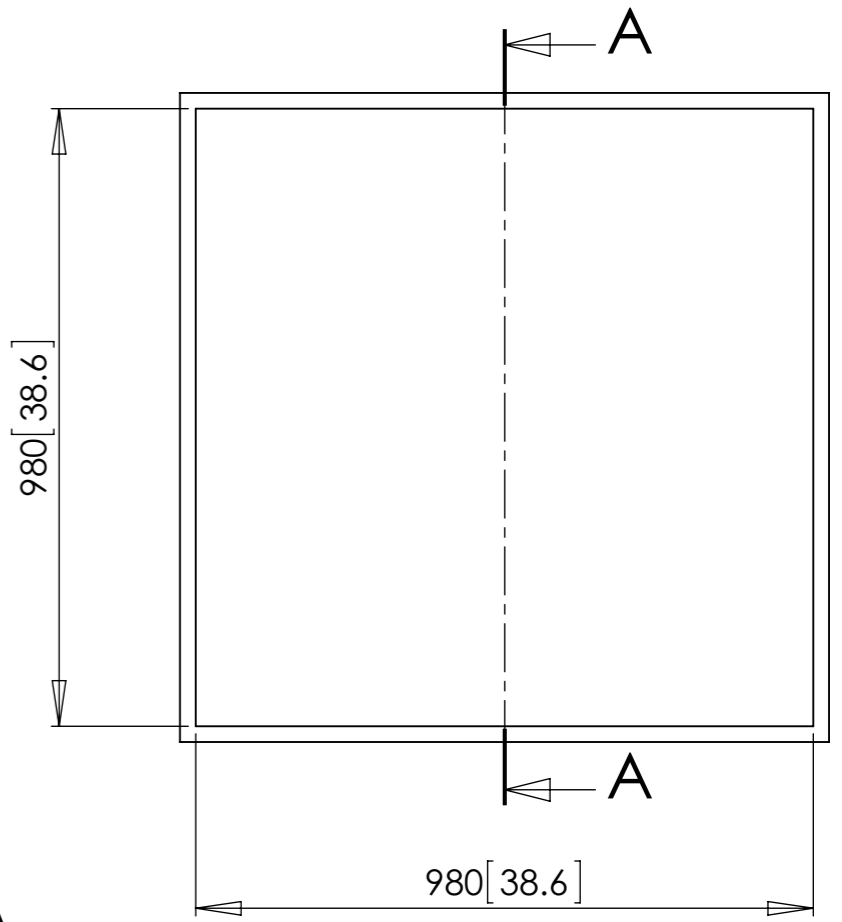
The panels must have an **internal depth of 45mm** to conceal the mechanism; as shown in DETAIL B.



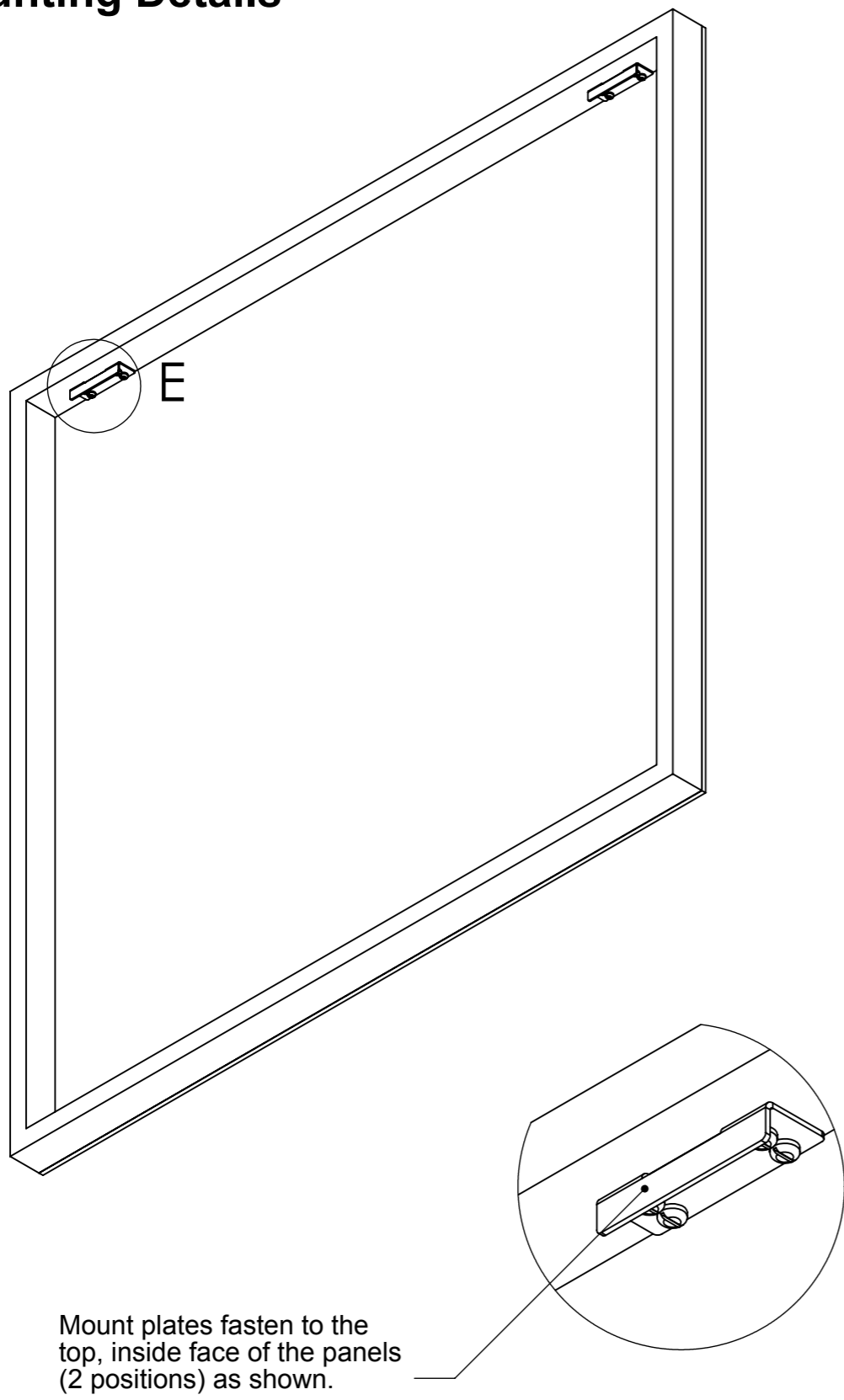
DETAIL B



SECTION A-A

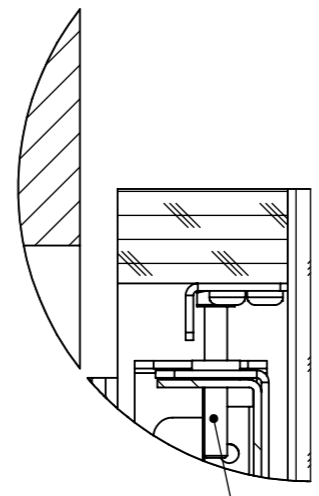
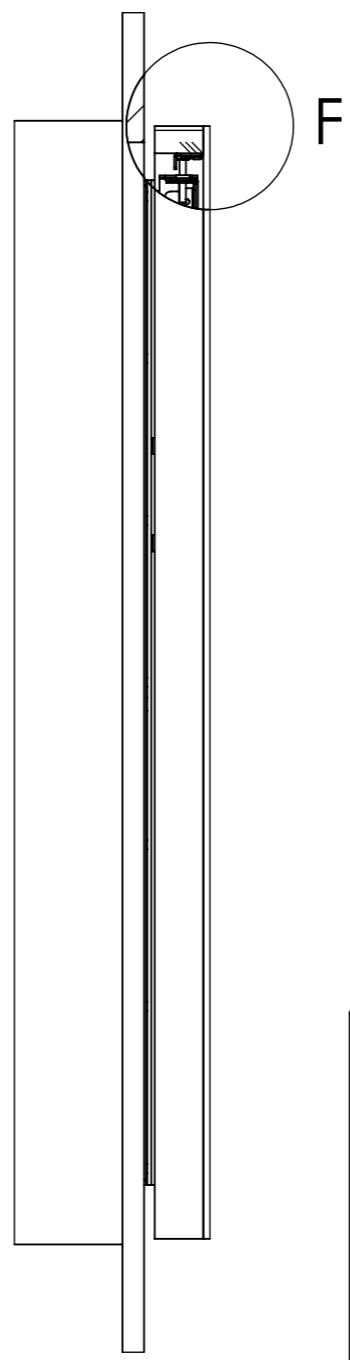


## Panel Mounting Details



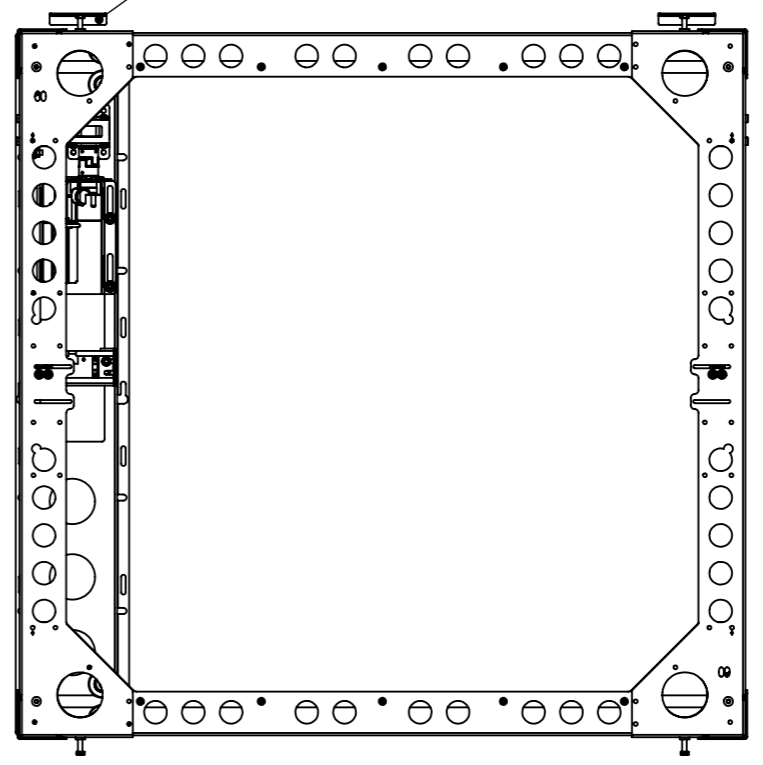
Mount plates fasten to the top, inside face of the panels (2 positions) as shown.

**DETAIL E**



**DETAIL F**

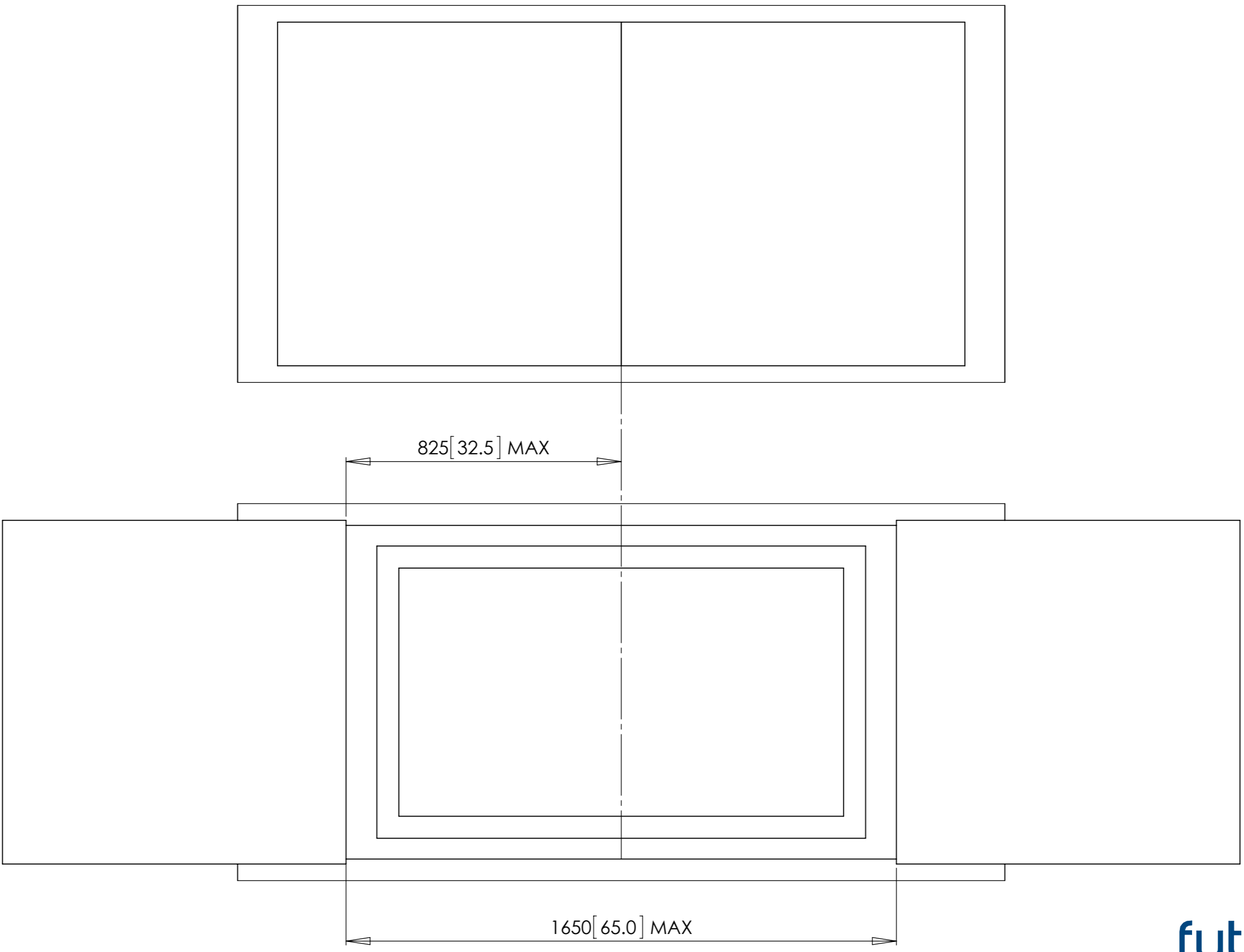
Panel mount plates hook onto two bolts. The height of the bolts can be adjusted to ensure the panels are level.



One side of Picture Split mechanism shown; other side omitted for clarity.

Mechanisms supplied as a pair.

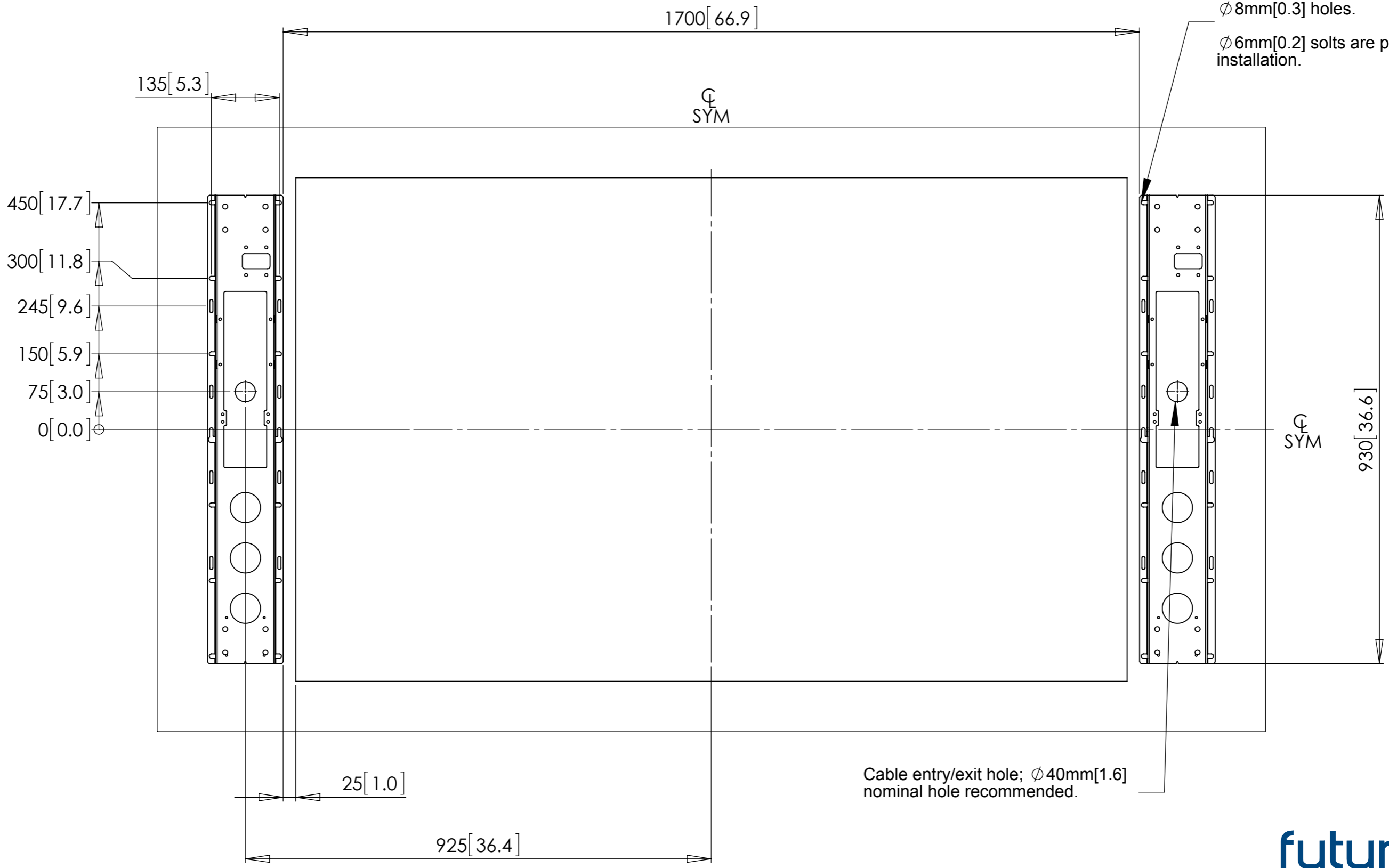
## Panel Travel Details



### Mounting Details

These are suggested dimensions for positioning the mechanisms on the wall. The dimensions are based around the panel sizes stated on **Page 3**.

Mechanisms mount onto the wall surface and fastened into position via  $\varnothing 8\text{mm}[0.3]$  holes.  
 $\varnothing 6\text{mm}[0.2]$  slots are provided to aid installation.



Cable entry/exit hole;  $\varnothing 40\text{mm}[1.6]$  nominal hole recommended.