



DESIGN HIGHLIGHTS

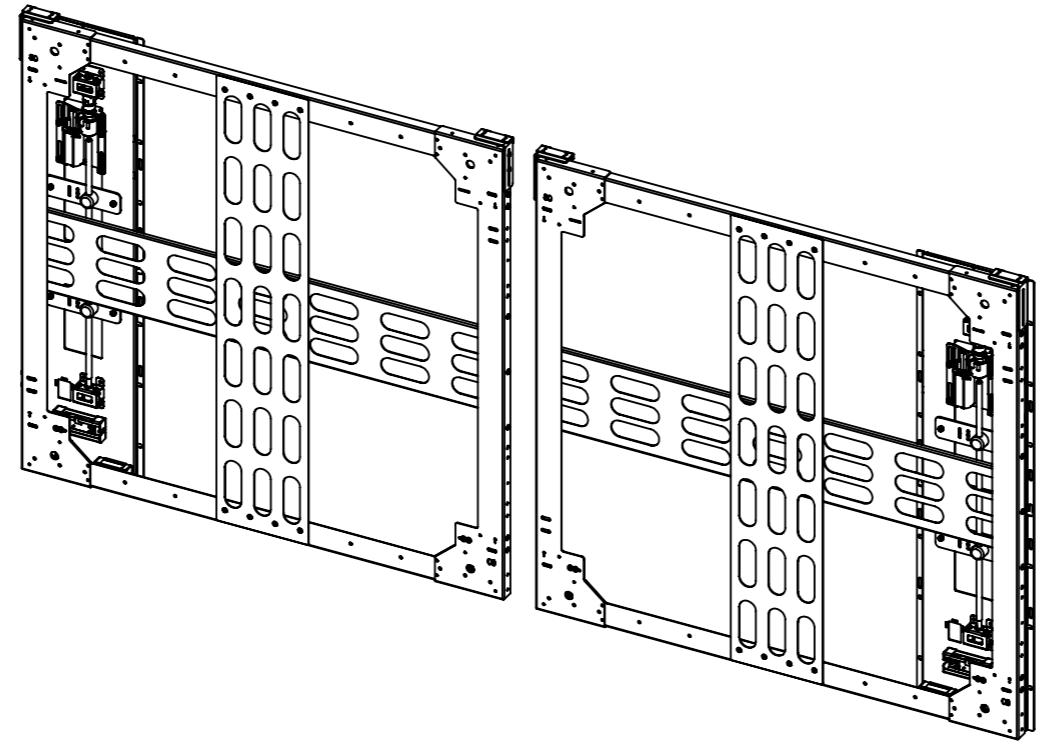
- Quiet, smooth action with a 'ramped' start and finish motion profile
- Surface mounted design for simplified installation
- Vibration isolated components
- Intelligent electronics keep mechanisms synchronised at all times
- Easy adjustment of mechanism end stops
- Sophisticated electronics help prevent 'finger trapping' between the panels

OPTIONS

- Other size mechanisms are available 42" 50" & 60"

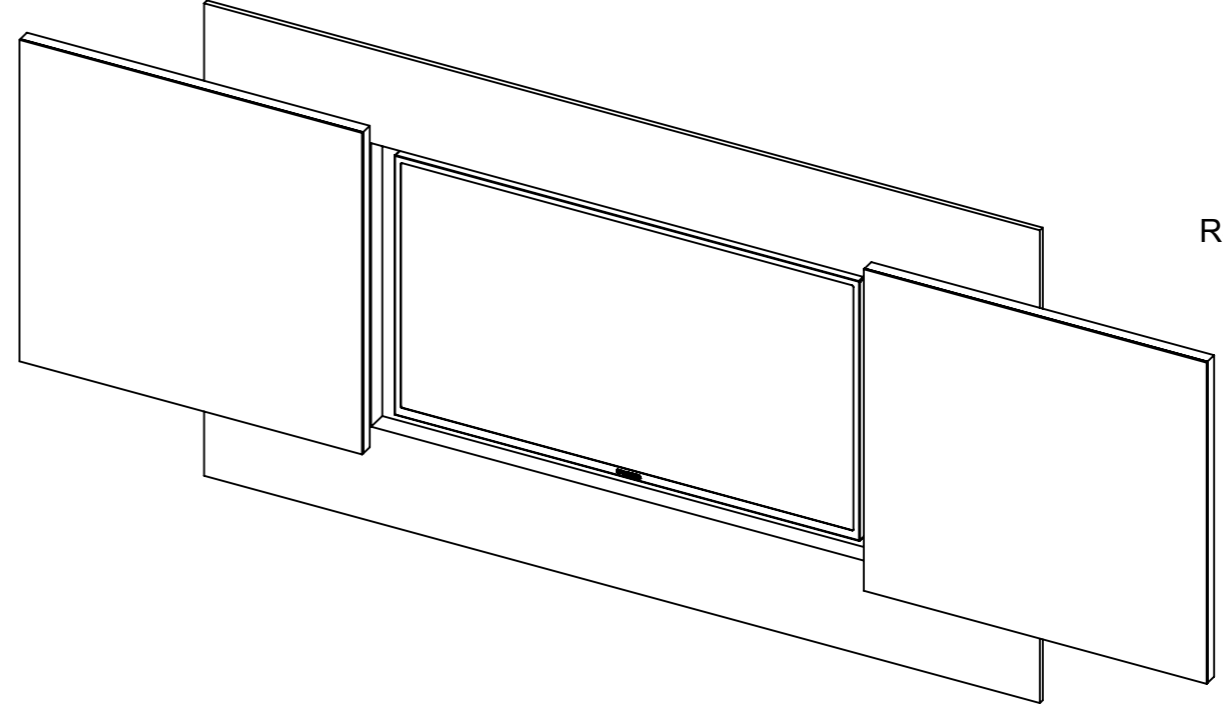
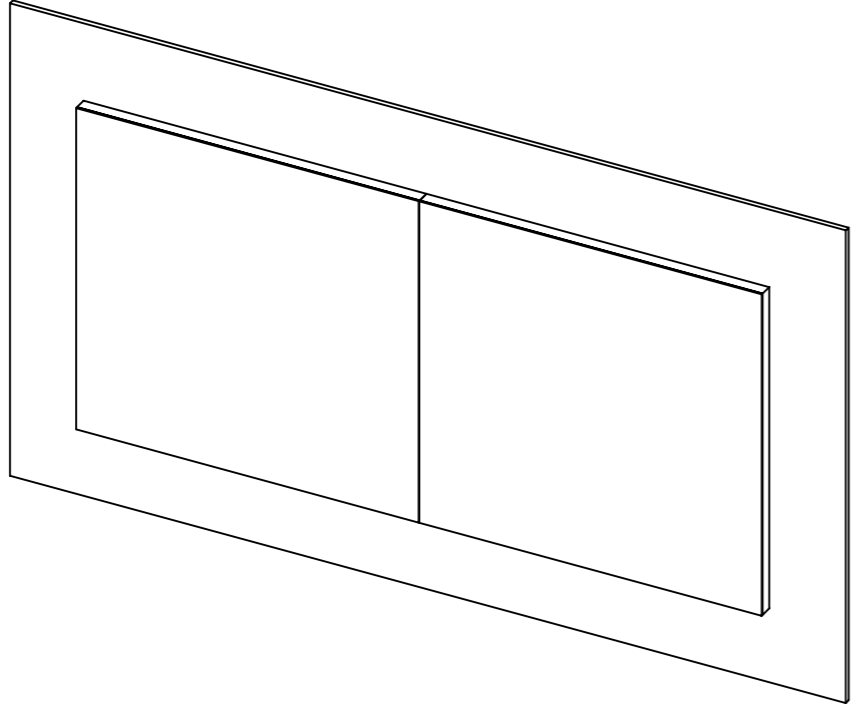
NOTE

- All dimensions are measured in mm [in].



OPEN

CLOSED



FUNCTION

This mechanism will open two panels to reveal a screen behind. The mechanism could be used to reveal any recessed item, such as a safe or hi-fi equipment.

SUITABILITY

This technical sheet is for the smallest version of the mechanism. It is typically suitable for screens up to 75". See recess size for restrictions.

SPECIFYING

The mechanism requires the screen to be recessed into the wall.

Maximum panel weight is 10kg [22.0lb].

CONTROL

Supplied with basic infrared remote. Can be learnt by many learning remotes.

Also has switch control and RS232 so can be operated by relays, switches, Crestron / AMX or Lutron systems.

WARNING

It is the responsibility of the installer to warn all potential end users of the dangers of interfering with mechanisms during operation

IMPORTANT

Mechanisms which lift or move weights need to be checked on a yearly basis for any damage which may result in an accident



Recess Details

CABLES:

During installation, cables between the two mechanisms shall be required to run to a suitable storage location; connecting to the control box (200[7.9] x 150[5.9] x 50[2.0]).

A nominal $\phi 40\text{mm}[1.6]$ cable entry/exit hole is recommended to provide suitable access for cable routing.

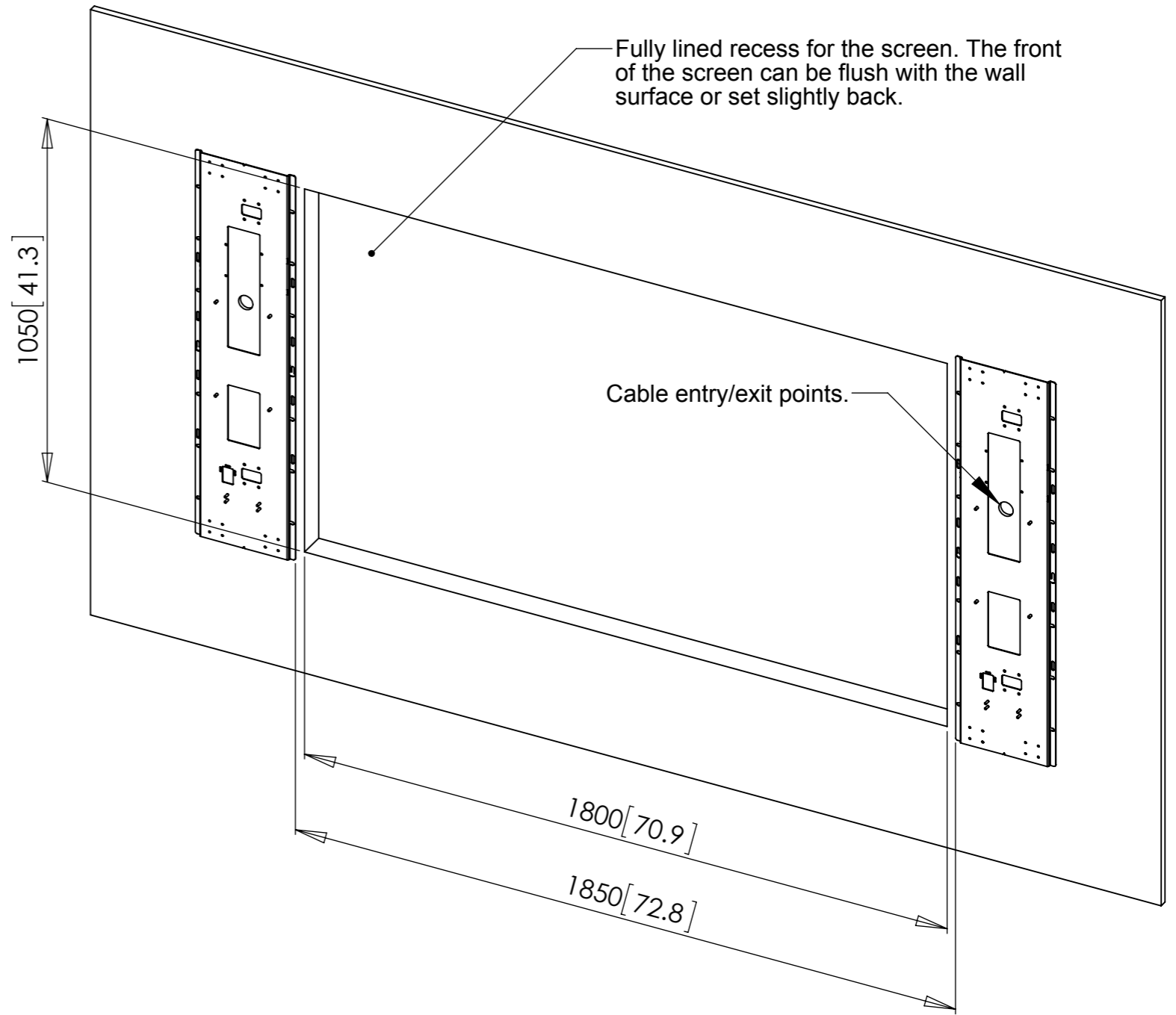
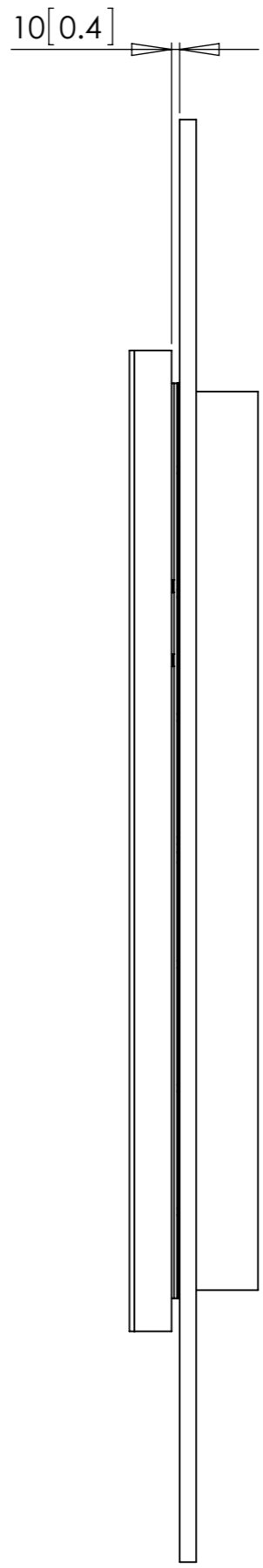
The control box shall need to be connected into a mains (13A) plug socket. An infrared receiver on a 1.5m[59.1] lead is also plugged into the control box.

PANELS:

The moving panels shall be 10mm[0.4] proud of the wall surface.

NOTE:

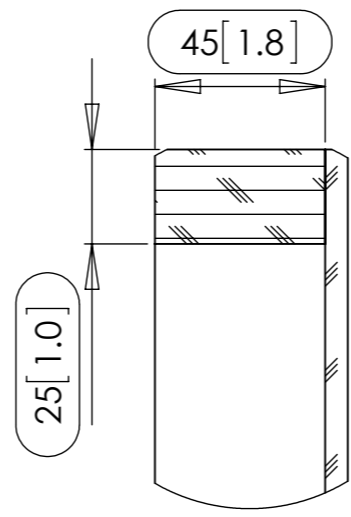
1800mm[74.8] is the widest recess this version of the mechanism can cover. This dimension can be reduced for small recesses but **not** increased.



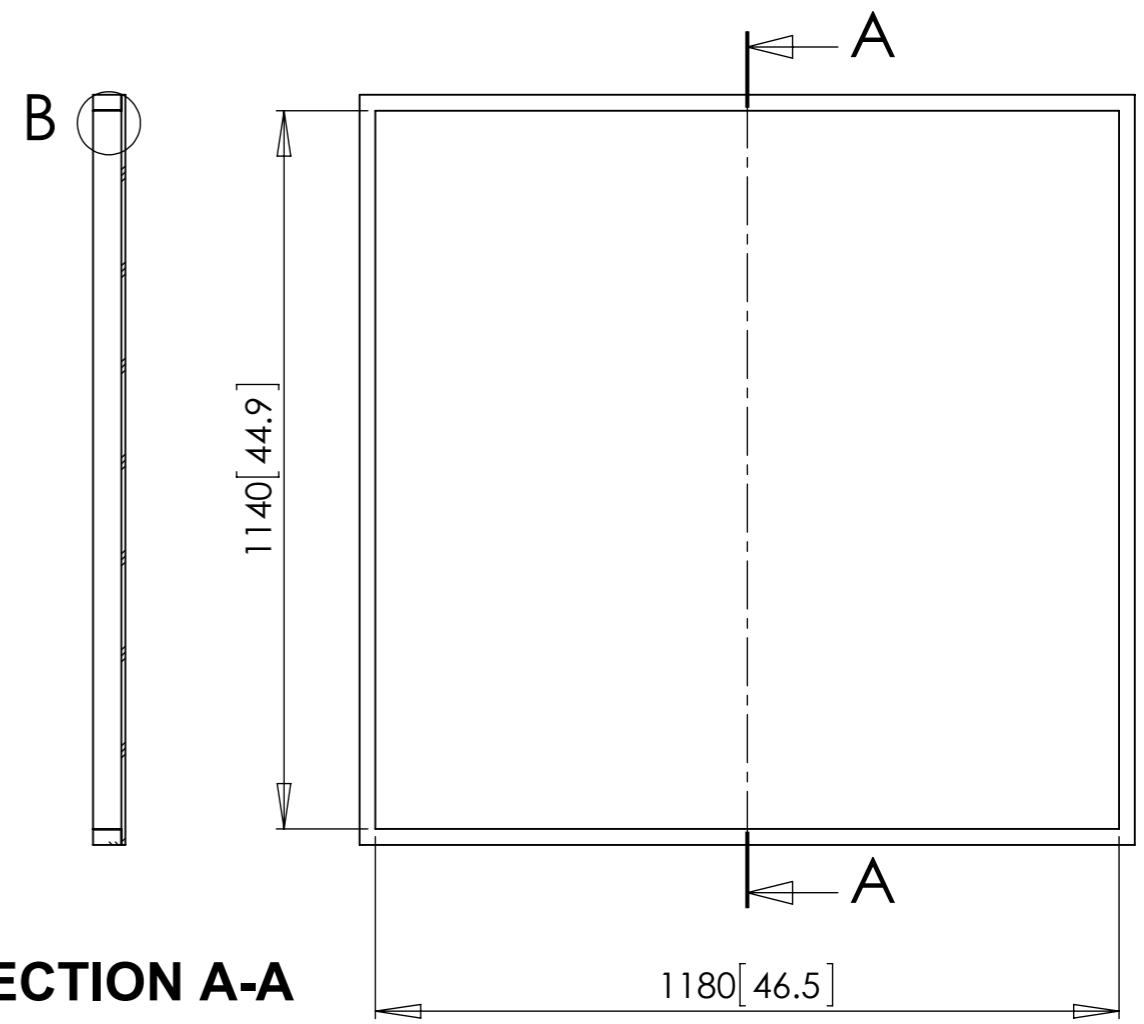
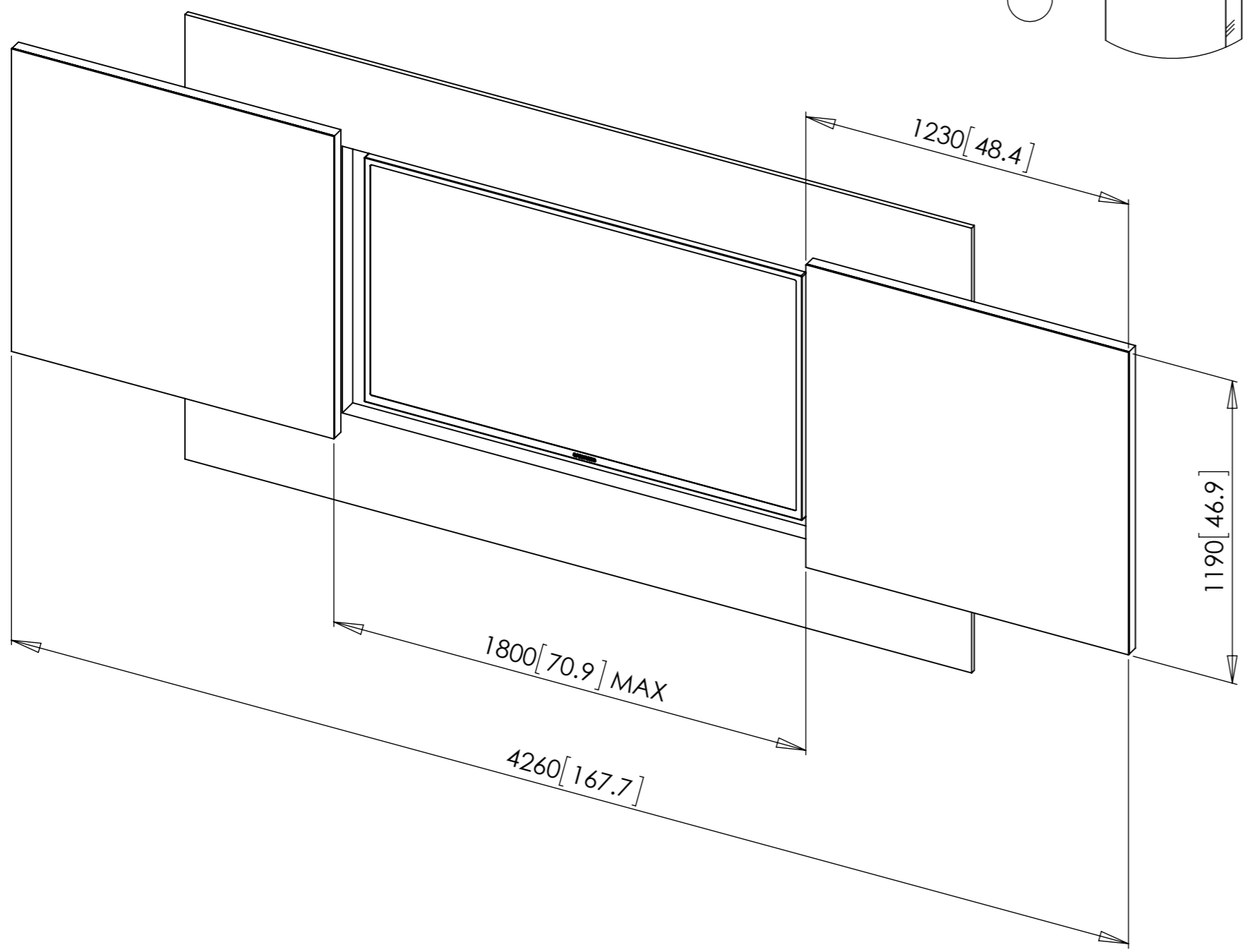
Panel Details

These are suggested dimensions for the panels.

The panels must have an **internal depth of 45mm** to conceal the mechanism; as shown in DETAIL B.

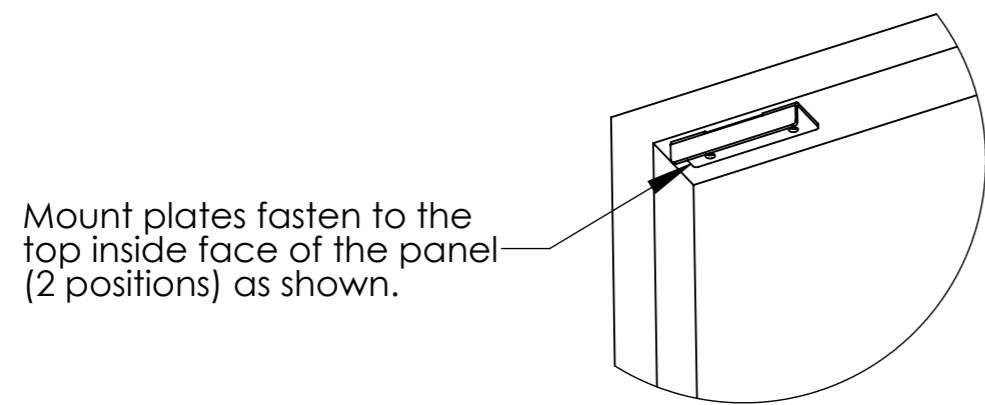
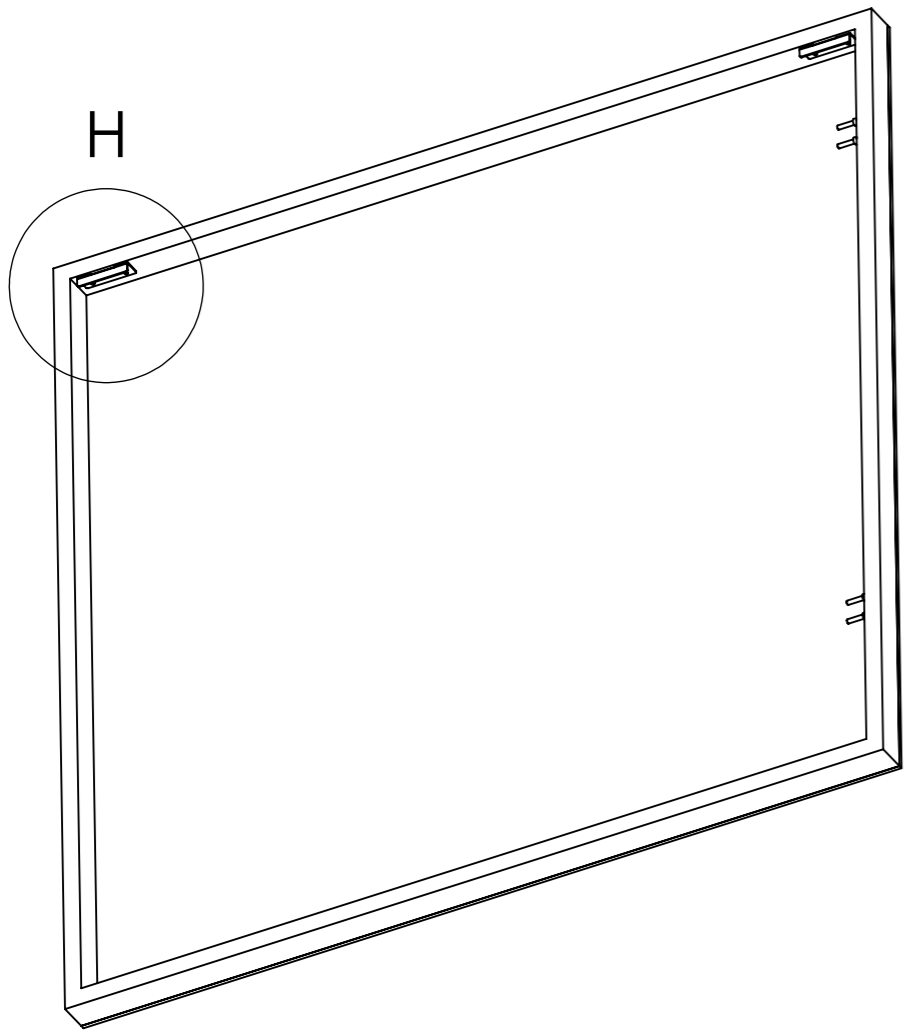


DETAIL B



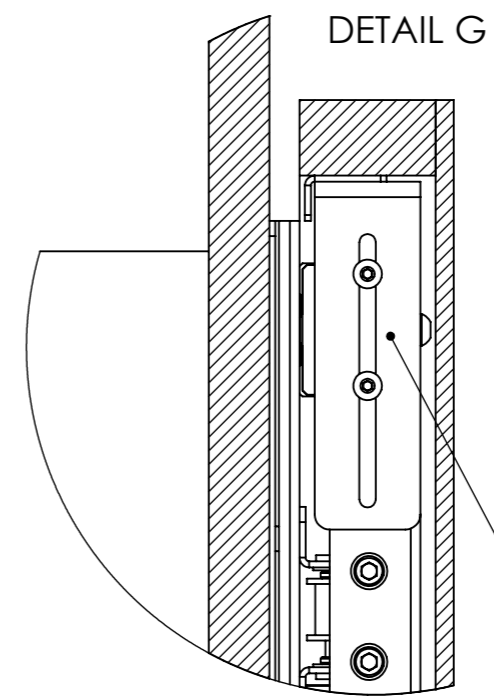
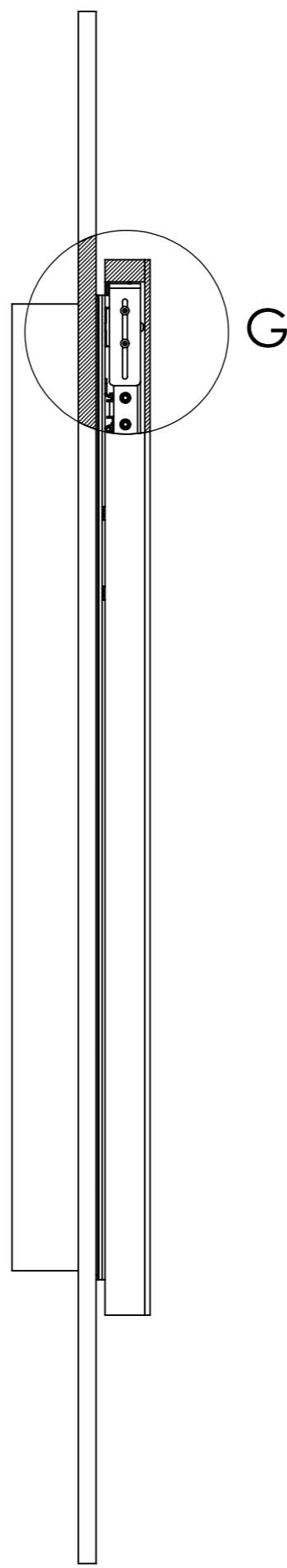
SECTION A-A

Panel Mounting Details



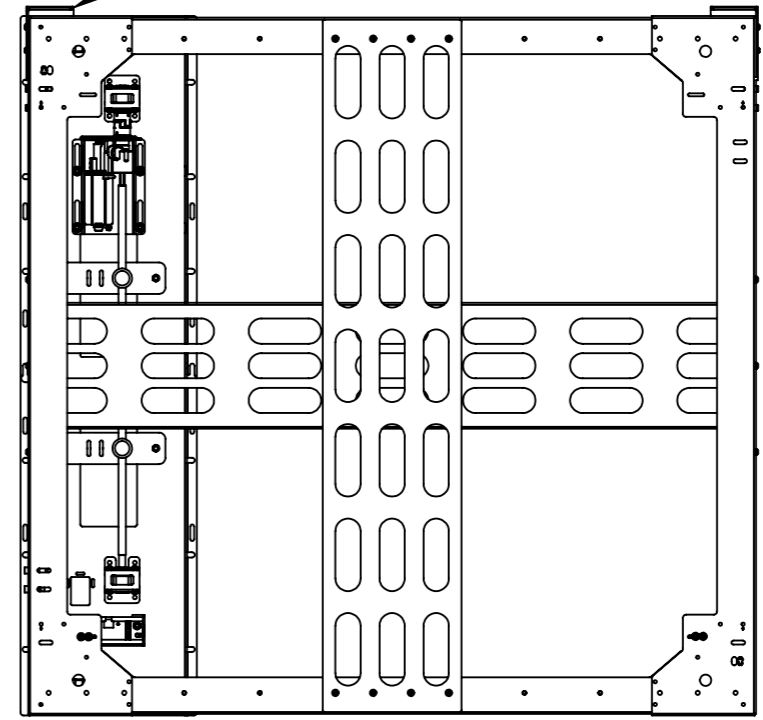
Mount plates fasten to the top inside face of the panel (2 positions) as shown.

DETAIL H



DETAIL G

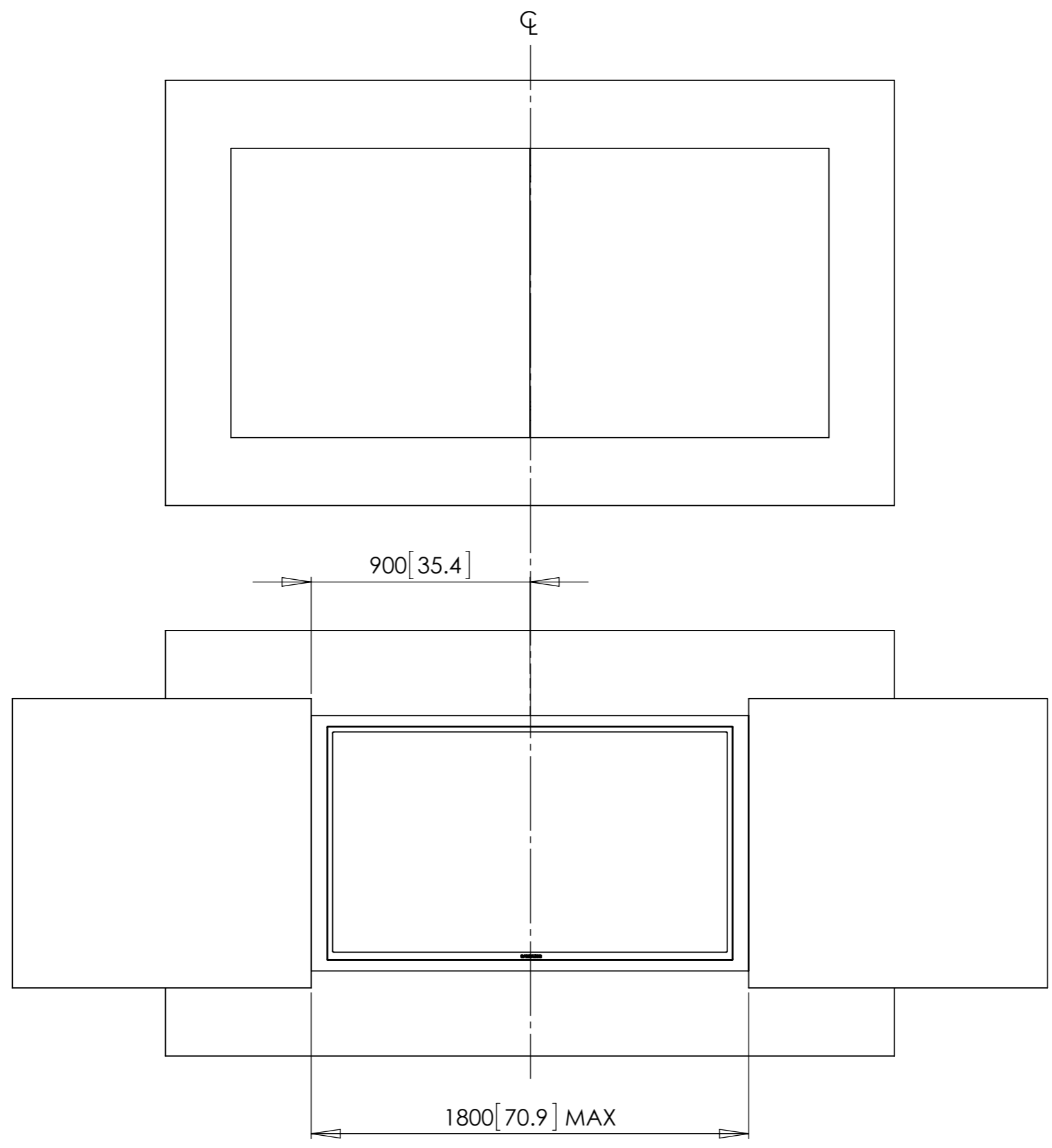
Panel mount plates bolt to the sides of the frame. The height can be adjusted to ensure the panels are level.



One side of Picture Split mechanism shown; other side omitted for clarity.

Mechanisms supplied as a pair.

Panel Travel Details



Mounting Details

These are suggested dimensions for positioning the mechanisms on the wall. The dimensions are based around the panel sizes stated on **Page 3**.

