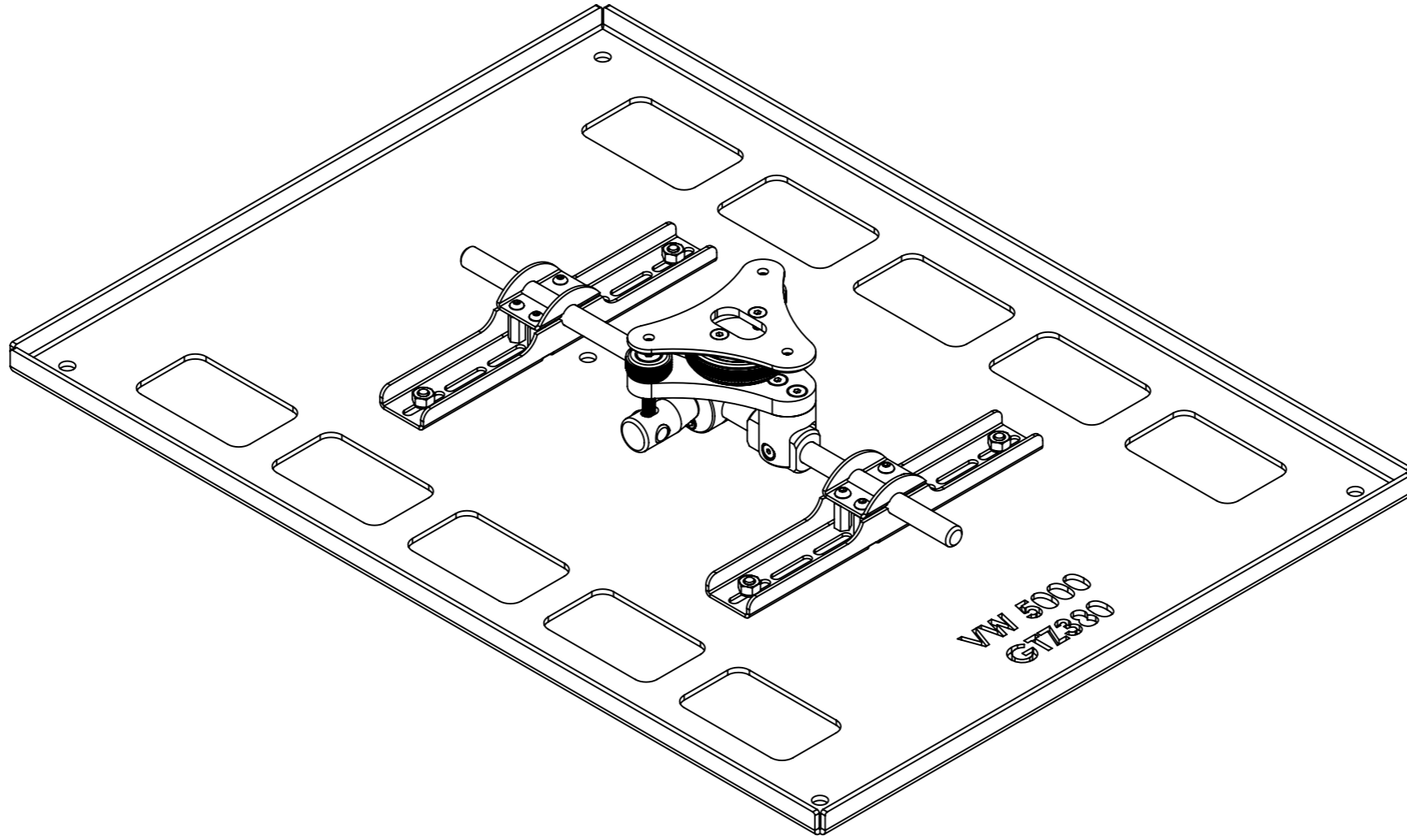


# PM-GTZ380

## PROJECTOR MOUNT SYSTEM FOR SONY GTZ380



future automation



# PM-GTZ380

## PROJECTOR MOUNT SYSTEM FOR SONY GTZ380



future automation

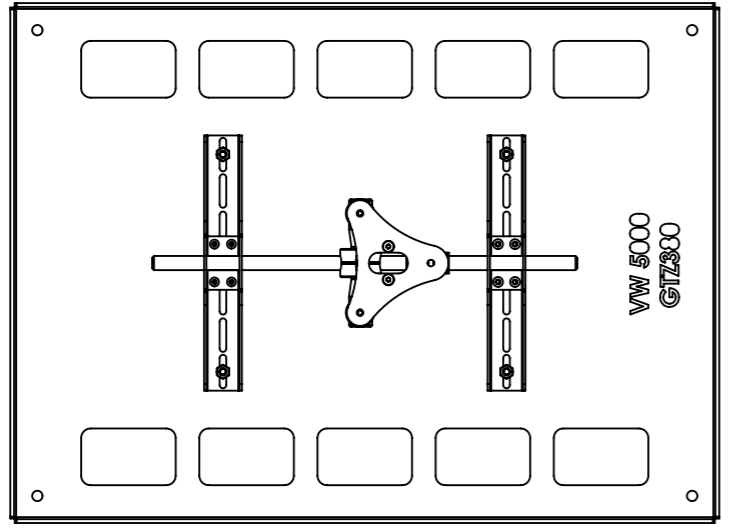
SPECIFICATION	MEASUREMENTS
Product Dimensions (W x L x H)	550mm (21 5/8") x 750mm (29 1/2") x 101mm (3 15/16")
Maximum Weight Capacity	55Kg (121lbs)
Depth From Ceiling	101mm (3 15/16")
Product Weight	6.5Kg (14.33lbs)
Packaging Dimensions	810mm (31 7/8") x 620mm (24 7/16") x 120mm (4 3/4")
Shipping Weight	10kg (22lbs)
Product Options / Features	Telescopic Pole add on, Fixed length pole add on, Custom RAL paint finishes, Marine suitable version
Package Contents	Mechanism
Marine Suitable	No

# PM-GTZ380

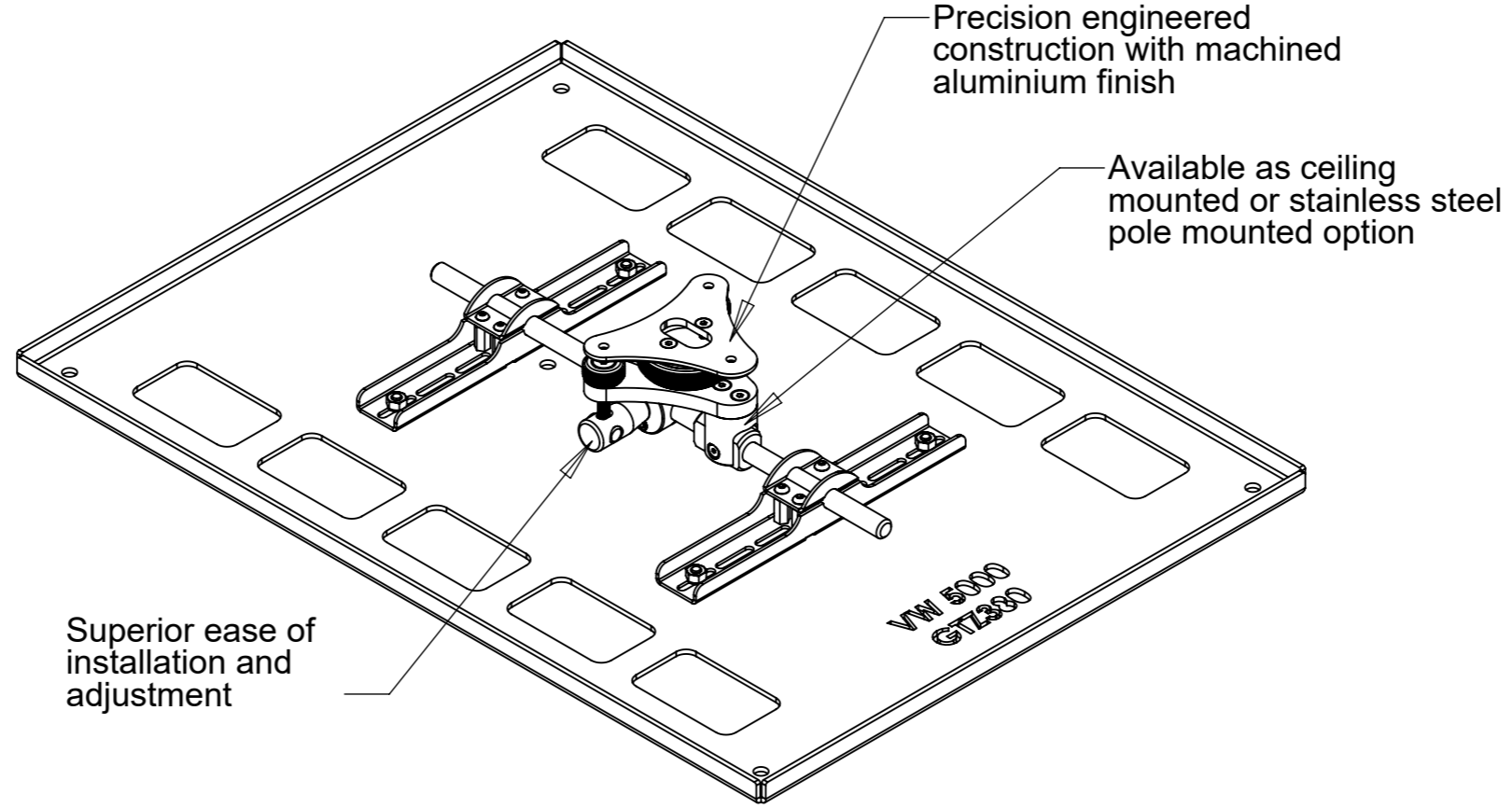
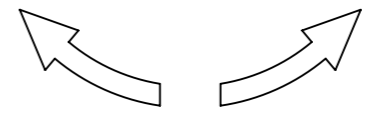
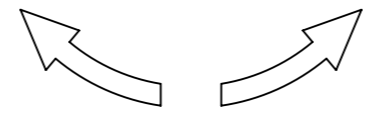
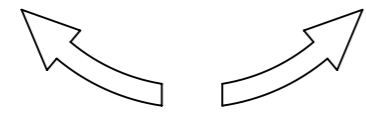
## PROJECTOR MOUNT SYSTEM FOR SONY GTZ380



future automation



Movement Directions



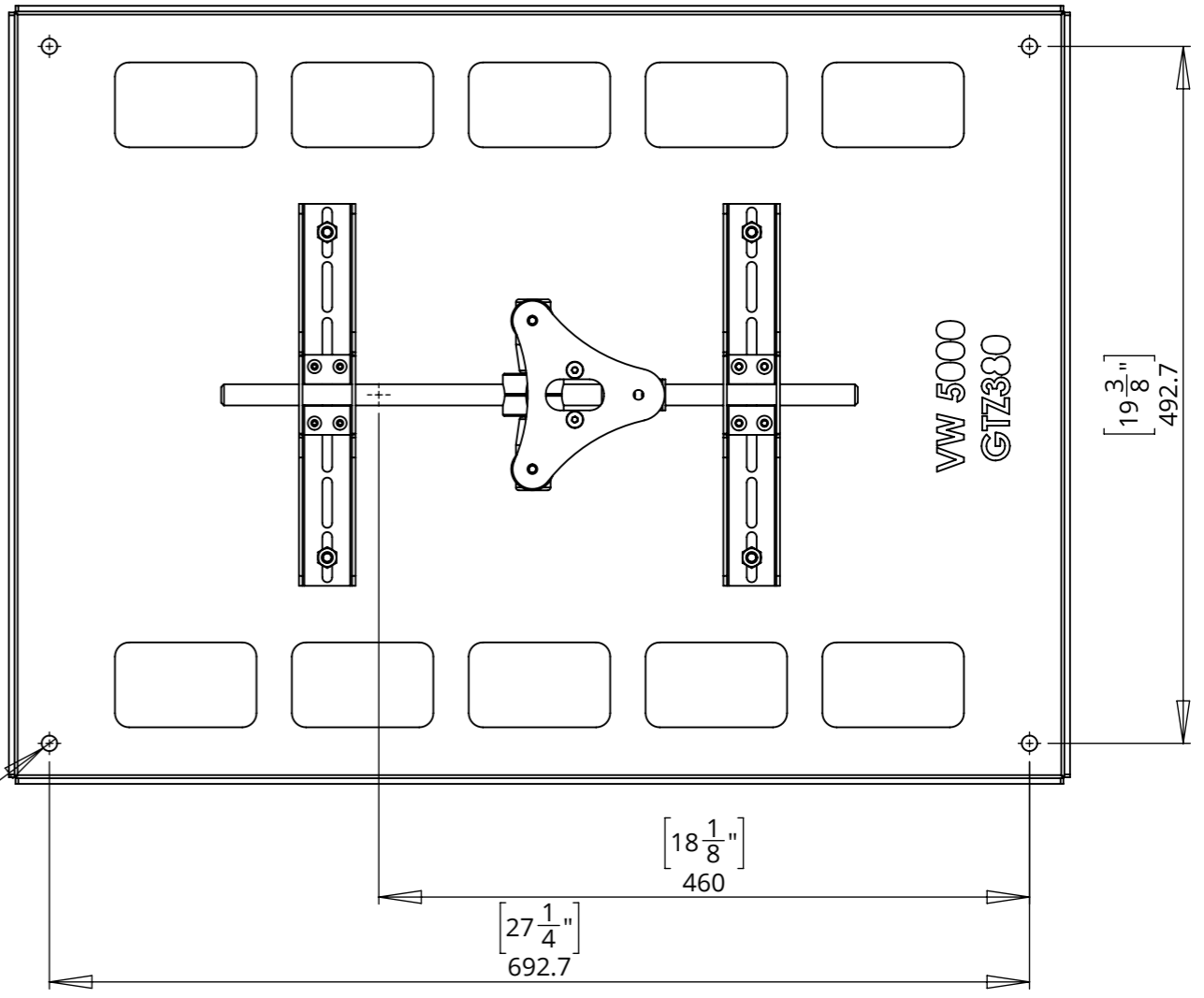
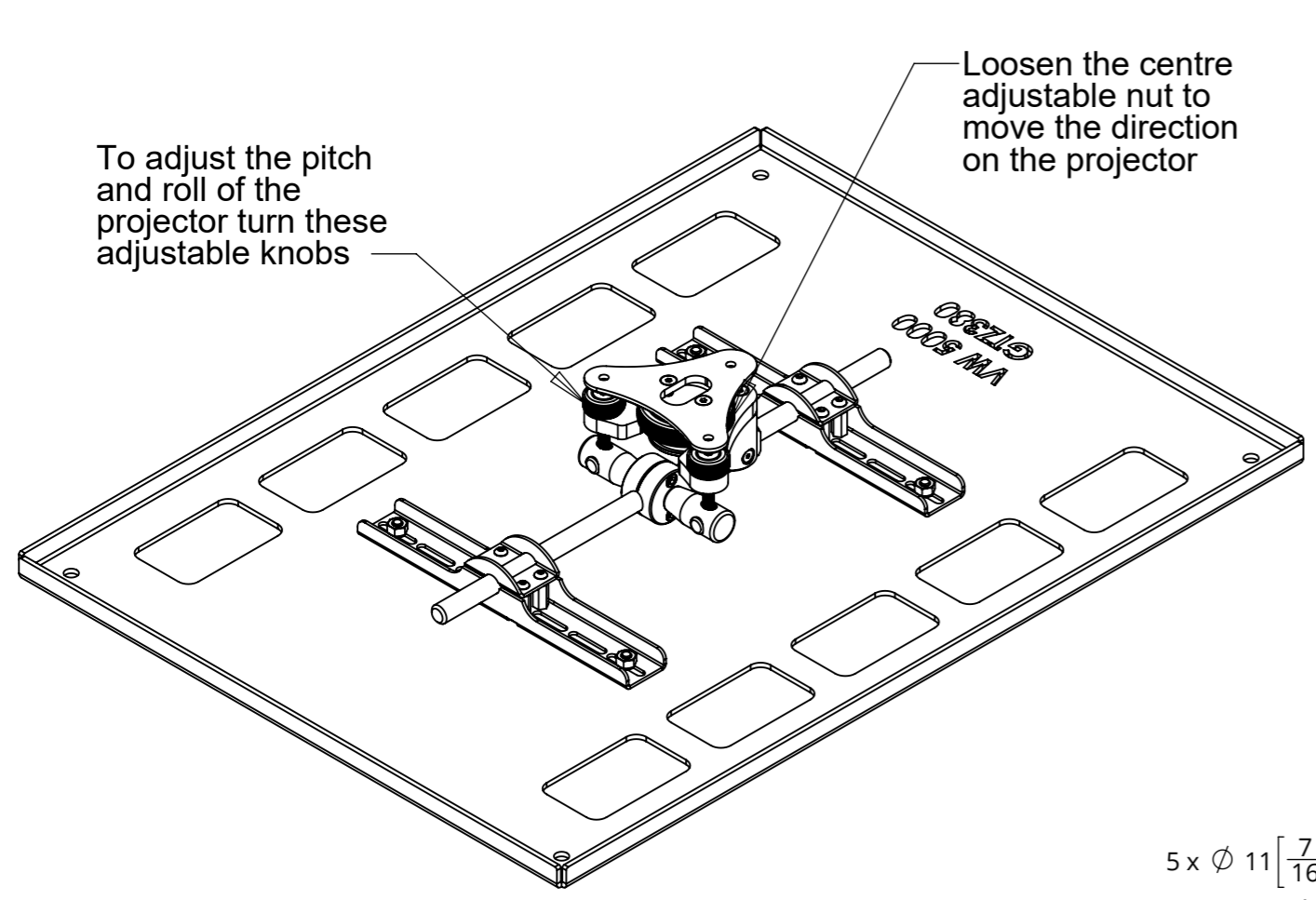
# PM-GTZ380

## PROJECTOR MOUNT SYSTEM FOR SONY GTZ380



future automation

### General Dimensions



5 x  $\varnothing$  11  $\left[ \frac{7}{16} \right]$   
Mount Holes

