



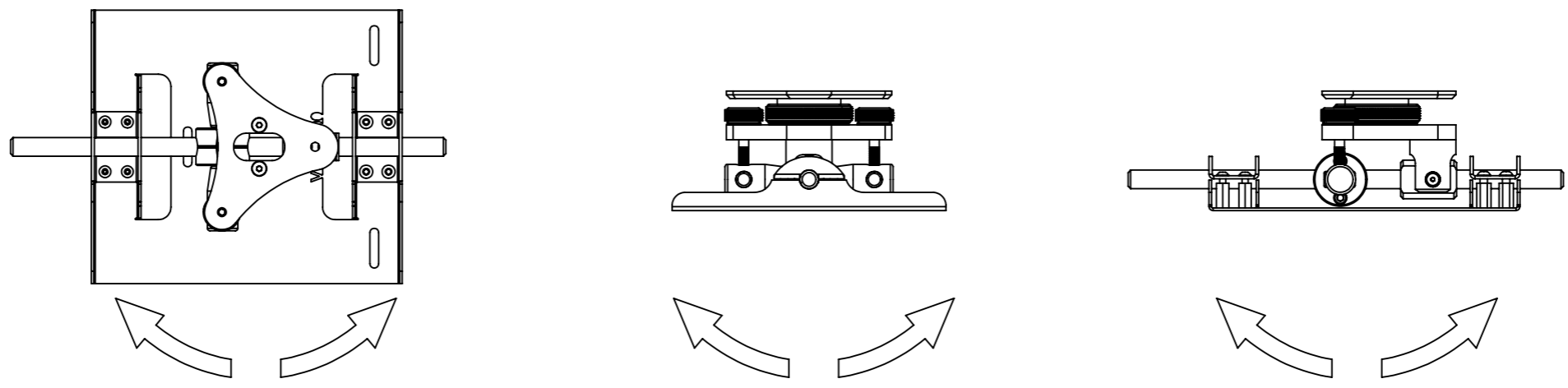
DESIGN HIGHLIGHTS

- Beautiful machined aluminium finish
- Complete lead-screw adjustment of all pitches of angle
- Range of fixed and telescopic poles available
- Hook on hook off installation

OPTIONS

- Marine suitable option
- IP Rated option for outdoor use
- Telescopic Pole add on
- Fixed length pole add on
- 1 1/2" NPT pole coupling

Movement Directions



FUNCTION

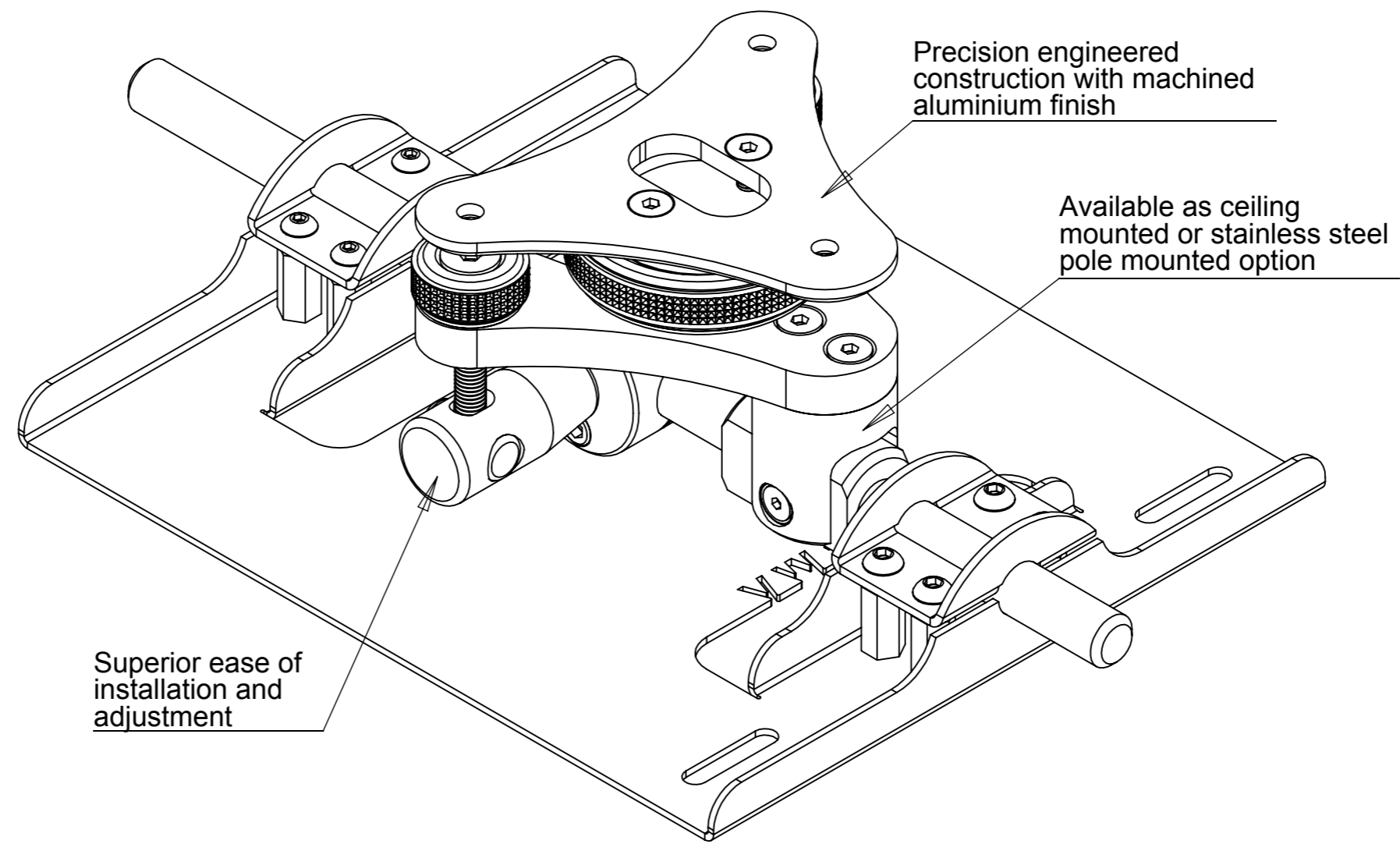
A manual projector mount, enabling adjustment of projector pitch, roll and yaw.
Supreme ease of installation.

SUITABILITY

Designed for installation with most Sony projectors.
Part of an extensive range of custom mount solutions.
Available as ceiling or pole mounted.

SPECIFYING

Check suitability of ceiling before mounting any projector.



WARNING

It is the responsibility of the installer to warn all potential end users of the dangers of interfering with mechanisms during operation

IMPORTANT

Mechanisms which lift or move weights need to be checked on a yearly basis for any damage which may result in an accident

General Dimensions

