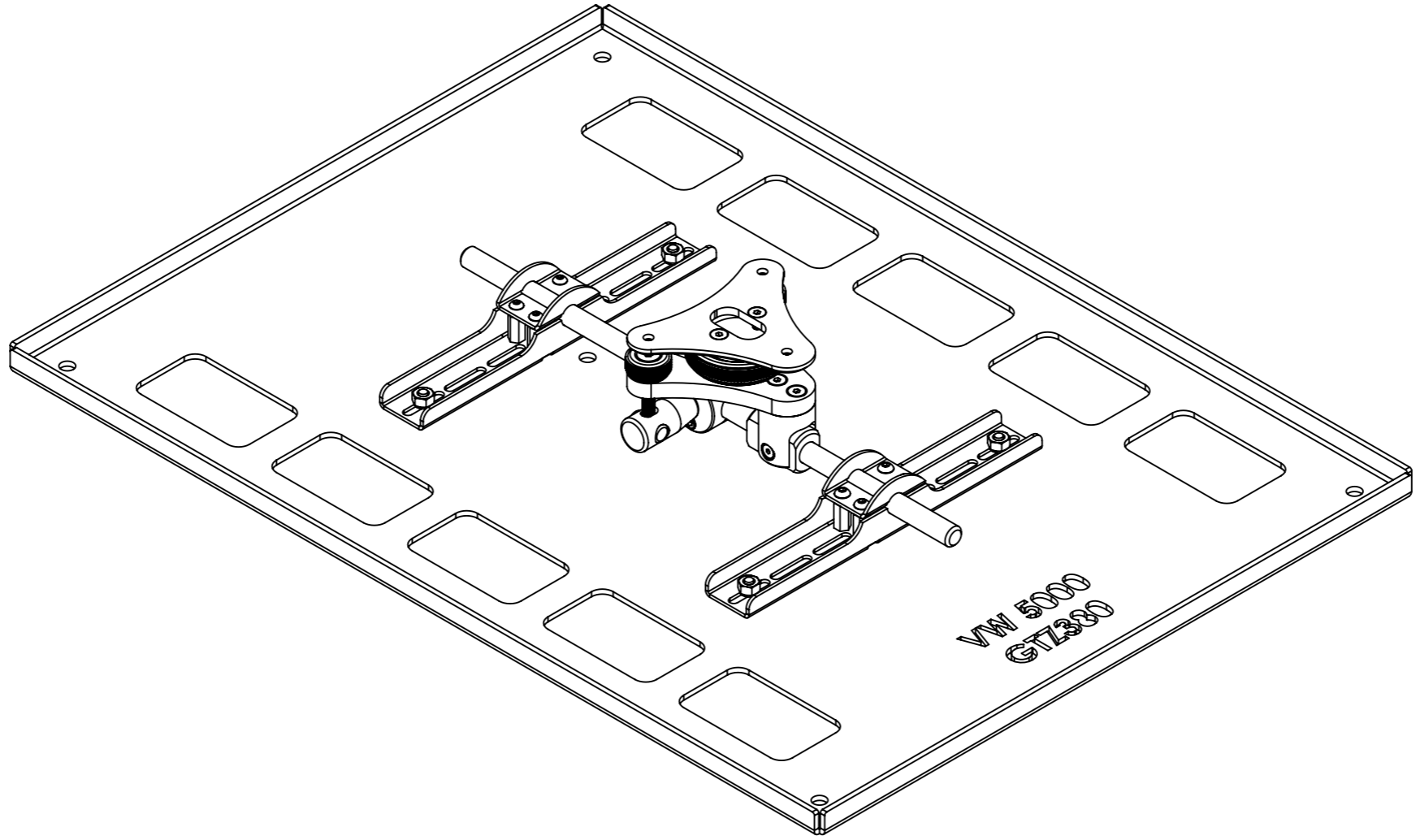


# PM-VW5000

## PROJECTOR MOUNT SYSTEM FOR SONY VW5000



future automation



# PM-VW5000

## PROJECTOR MOUNT SYSTEM FOR SONY VW5000



future automation

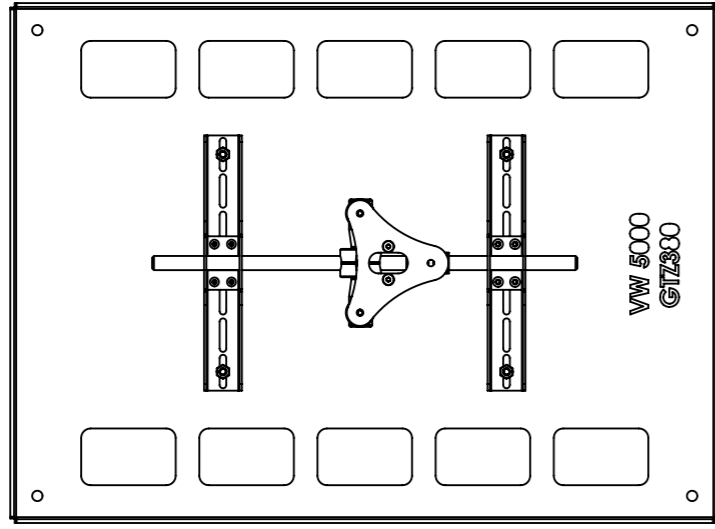
SPECIFICATION	MEASUREMENTS
Product Dimensions (W x L x H)	550mm (21 5/8") x 750mm (29 1/2") x 101mm (3 15/16")
Maximum Weight Capacity	45Kg (99lbs)
Depth From Ceiling	101mm (3 15/16")
Product Weight	6.5Kg (14.33lbs)
Packaging Dimensions	810mm (31 7/8") x 620mm (24 7/16") x 120mm (4 3/4")
Shipping Weight	10kg (22lbs)
Product Options / Features	Telescopic Pole add on, Fixed length pole add on, Custom RAL paint finishes, Marine suitable version
Package Contents	Mechanism
Marine Suitable	No

# PM-VW5000

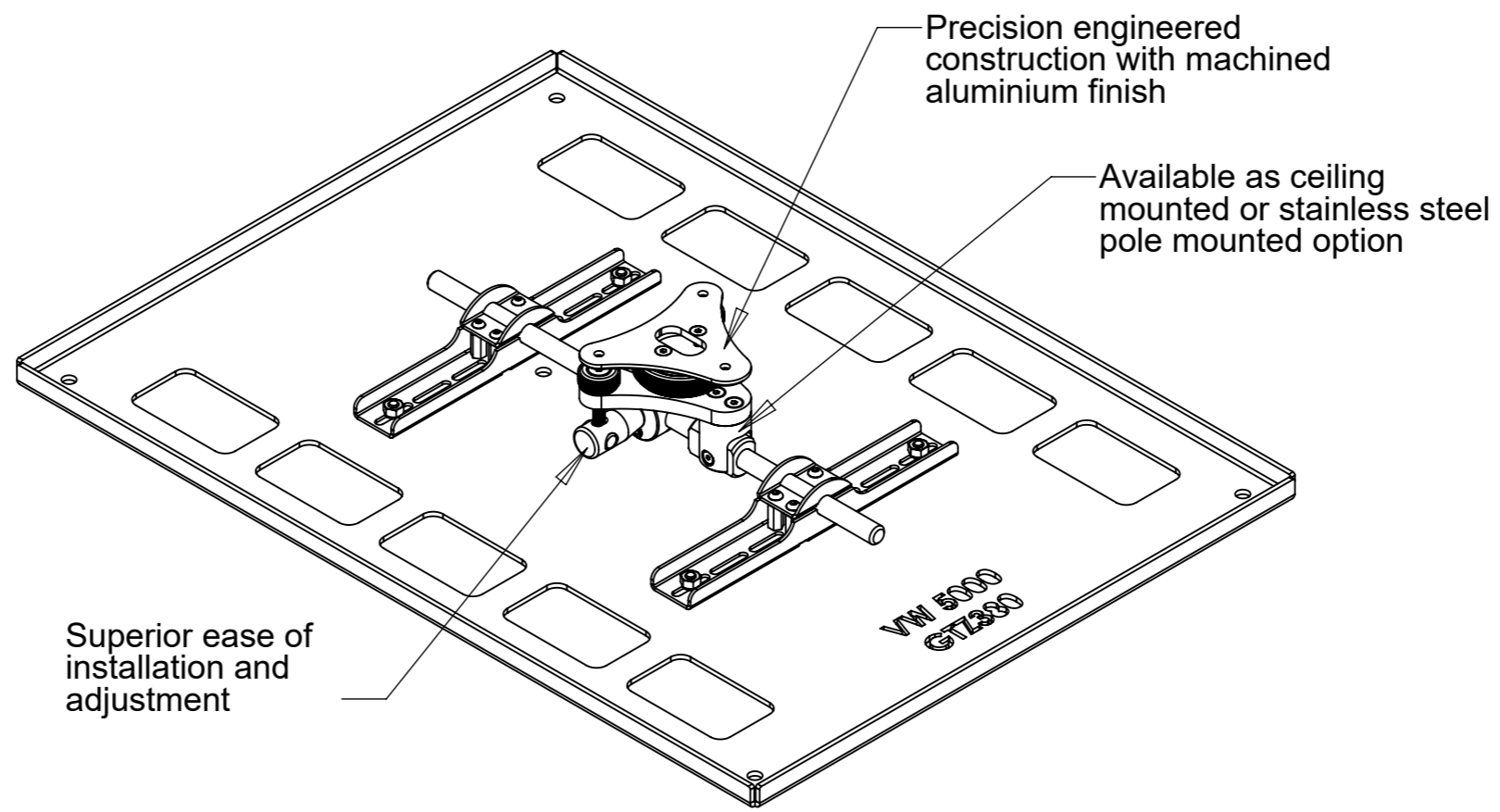
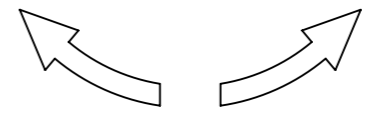
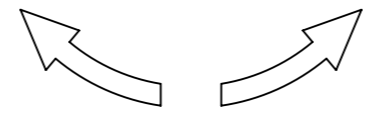
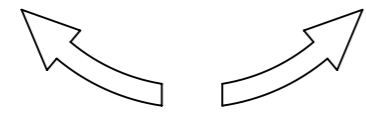
## PROJECTOR MOUNT SYSTEM FOR SONY VW5000



future automation



Movement Directions



# PM-VW5000

## PROJECTOR MOUNT SYSTEM FOR SONY VW5000



future automation

### General Dimensions

