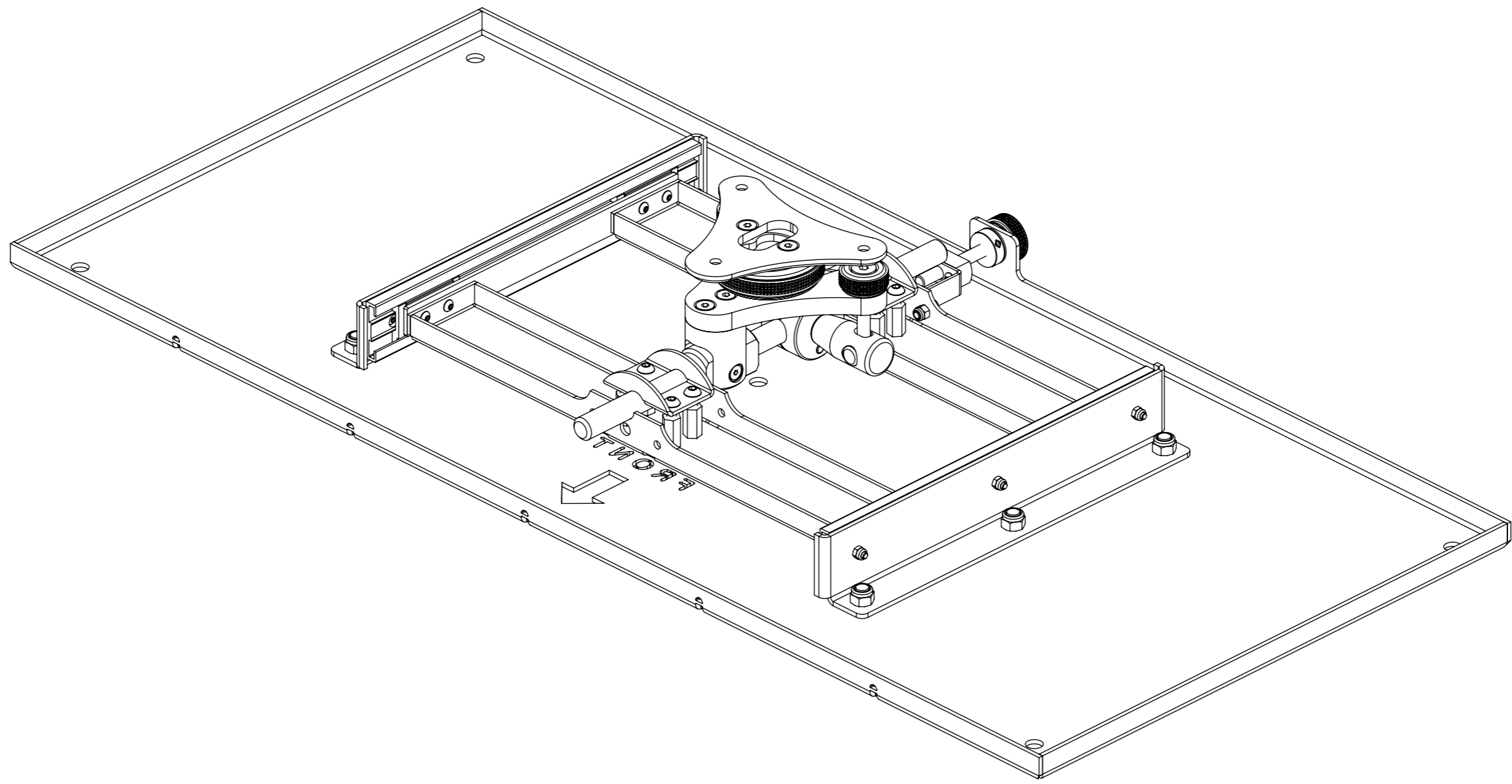


PM-VZ1000

PROJECTOR MOUNT FOR SONY VZ1000



future automation



PM-VZ1000

PROJECTOR MOUNT FOR SONY VZ1000



future automation

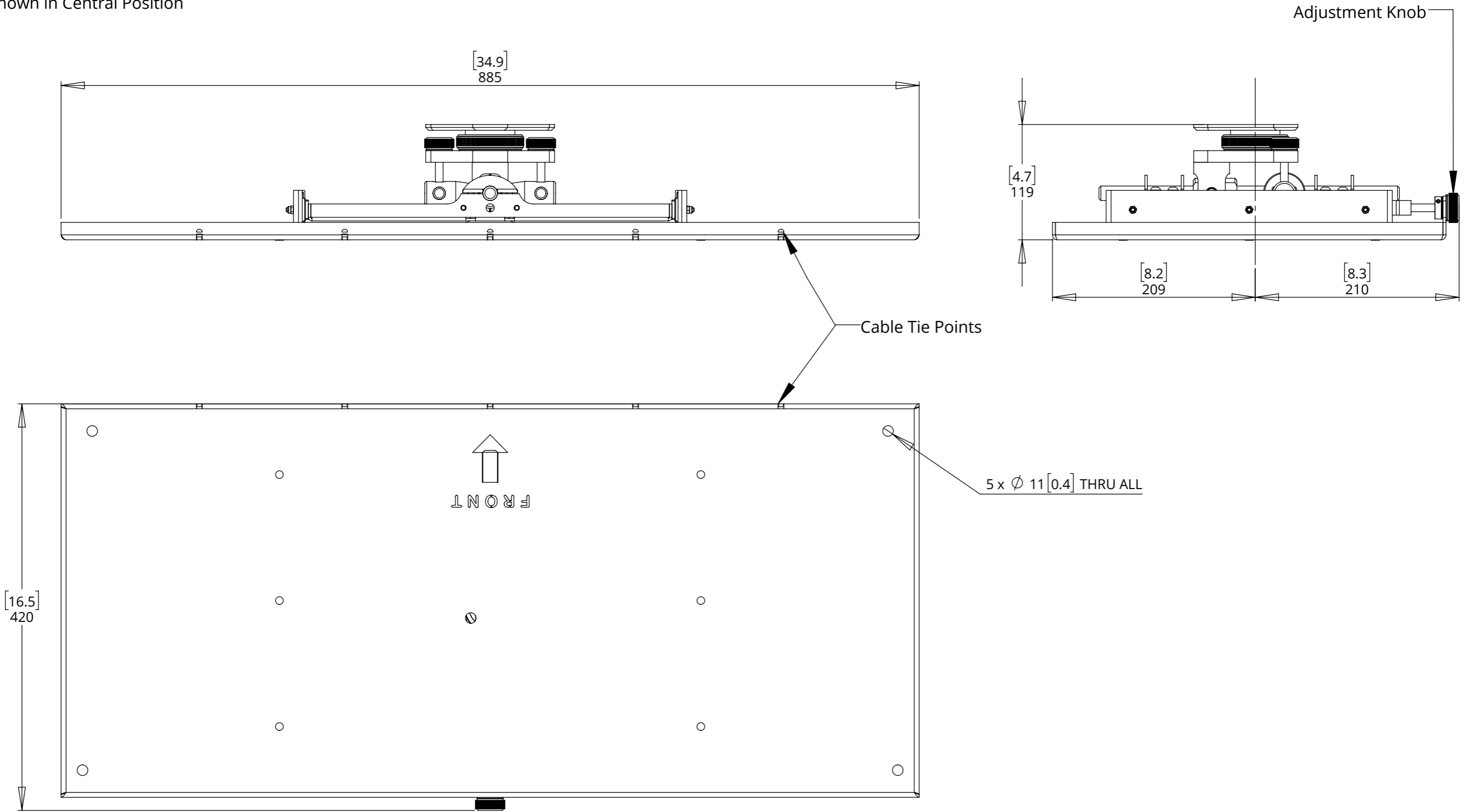
SPECIFICATION	MEASUREMENTS
Product Dimensions	119mm (4.7") x 885mm (34.9") x 420mm (16.5")
Depth From Ceiling	119mm (4.7")
Adjustments	Pitch, Roll, Yaw, and Back and Forth
Maximum Back and Forth Adjustment	25mm (1") forwards and backwards from centre
Packaging Dimensions	TBC
Shipping Weight	TBC
Product Options / Features	Custom RAL paint finishes
Package Contents	Mount
Marine Suitable	Yes (Indoor)

PM-VZ1000

PROJECTOR MOUNT FOR SONY VZ1000

GENERAL DIMENSIONS

Mount shown in Central Position

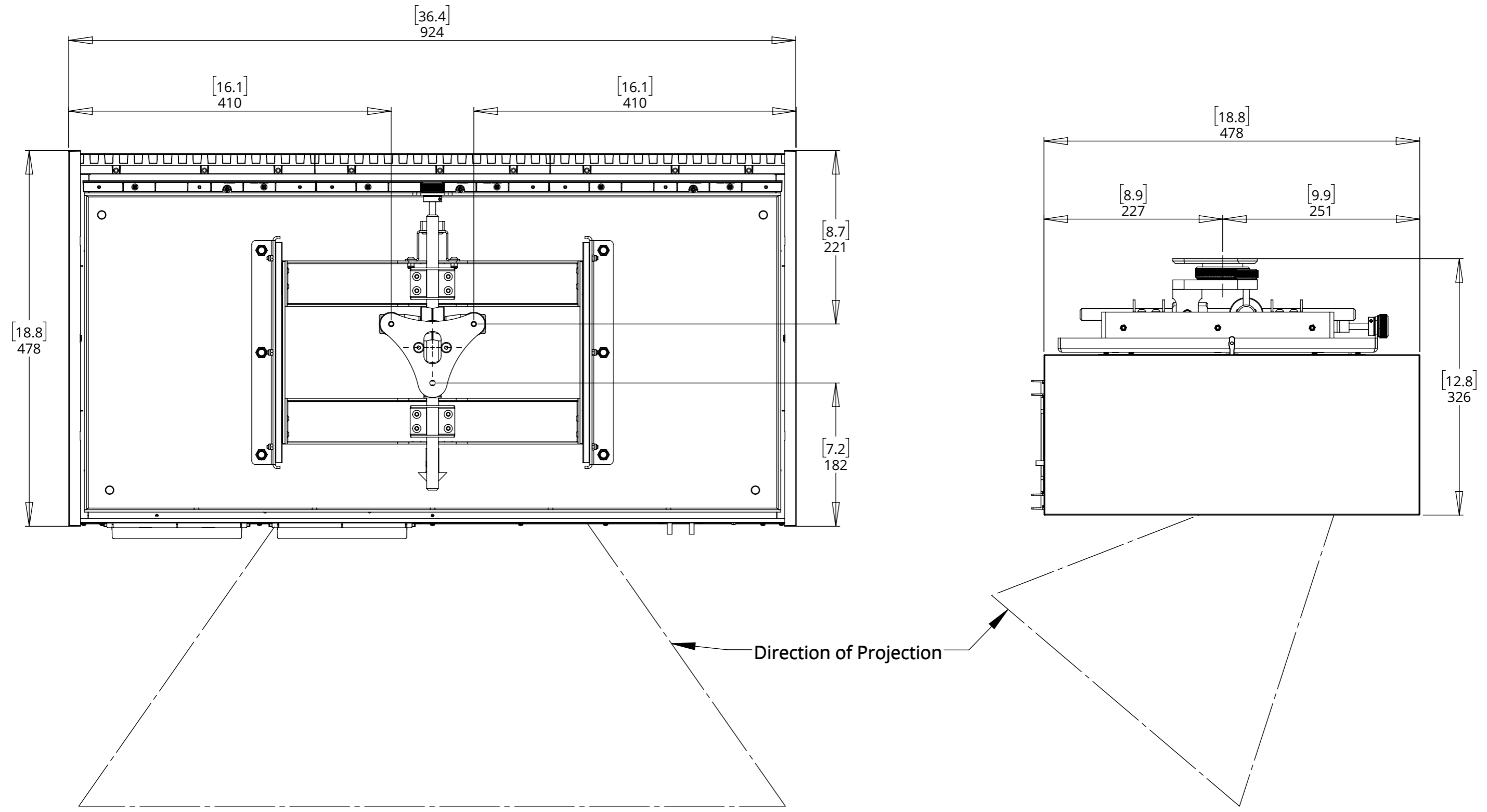


PM-VZ1000

PROJECTOR MOUNT FOR SONY VZ1000

GENERAL DIMENSIONS WITH PROJECTOR

Mount shown in Central Position



PM-VZ1000

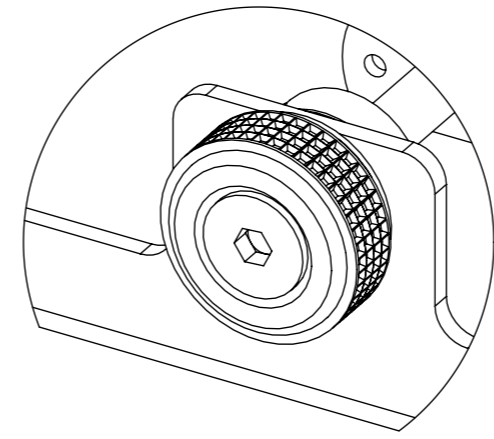
PROJECTOR MOUNT FOR SONY VZ1000



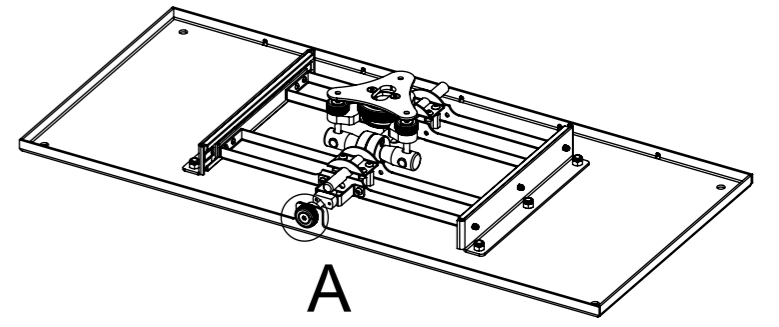
future automation

ADJUSTMENT

Using the knob on the back of the mount plate slight adjustments can be made to the position of the projector up to 25mm [1"] forwards and backwards from the centre position.

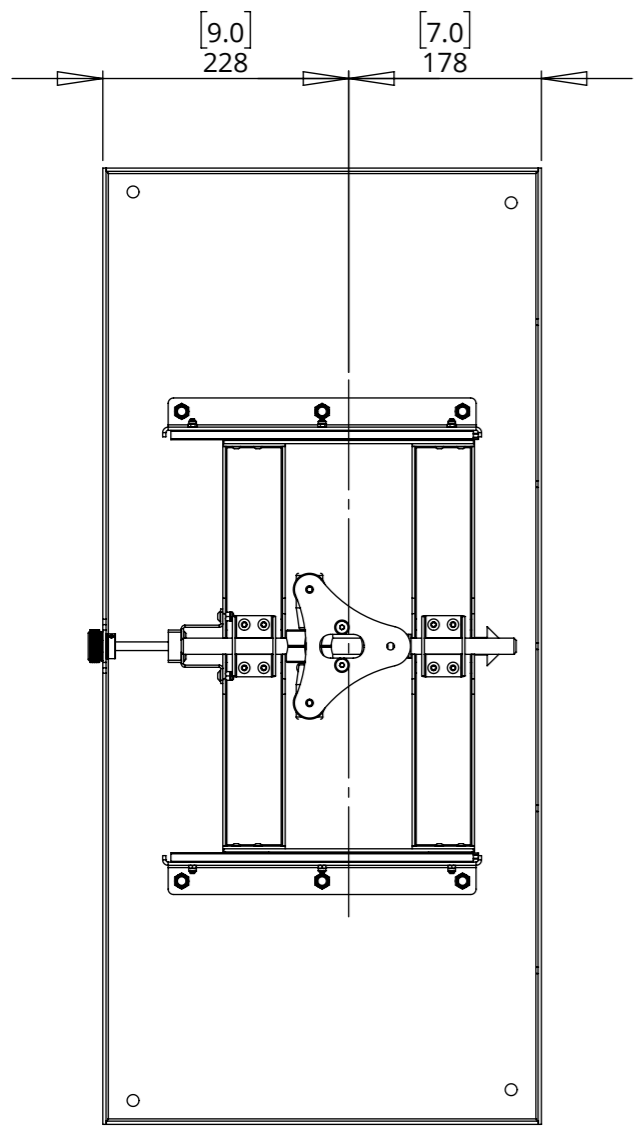


DETAIL A

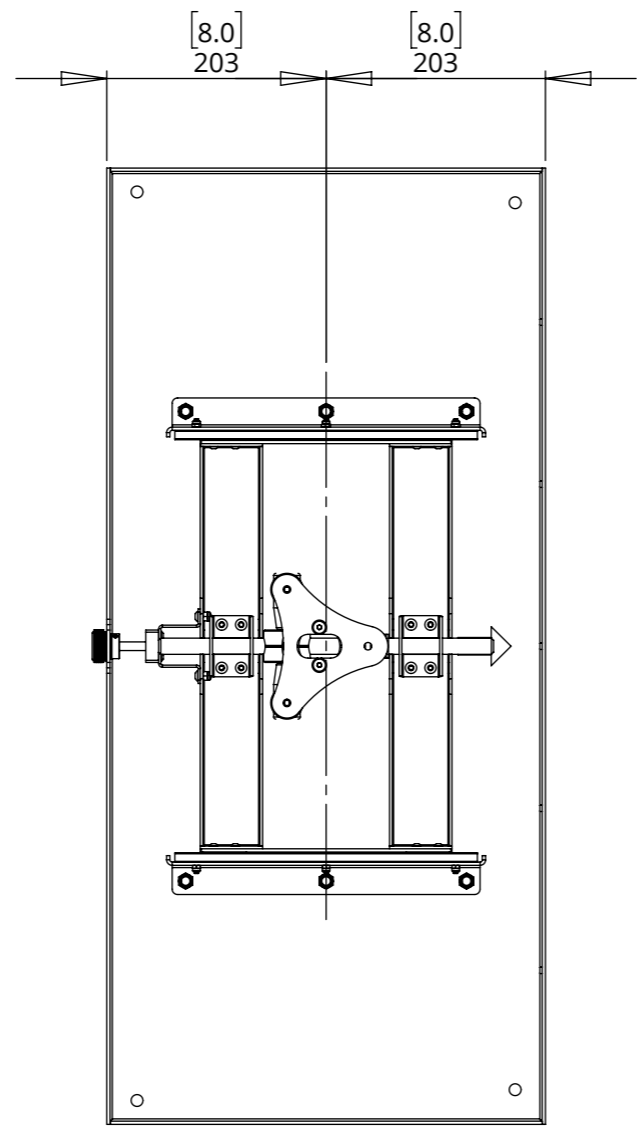


A

BACK



CENTRAL



FORWARD

