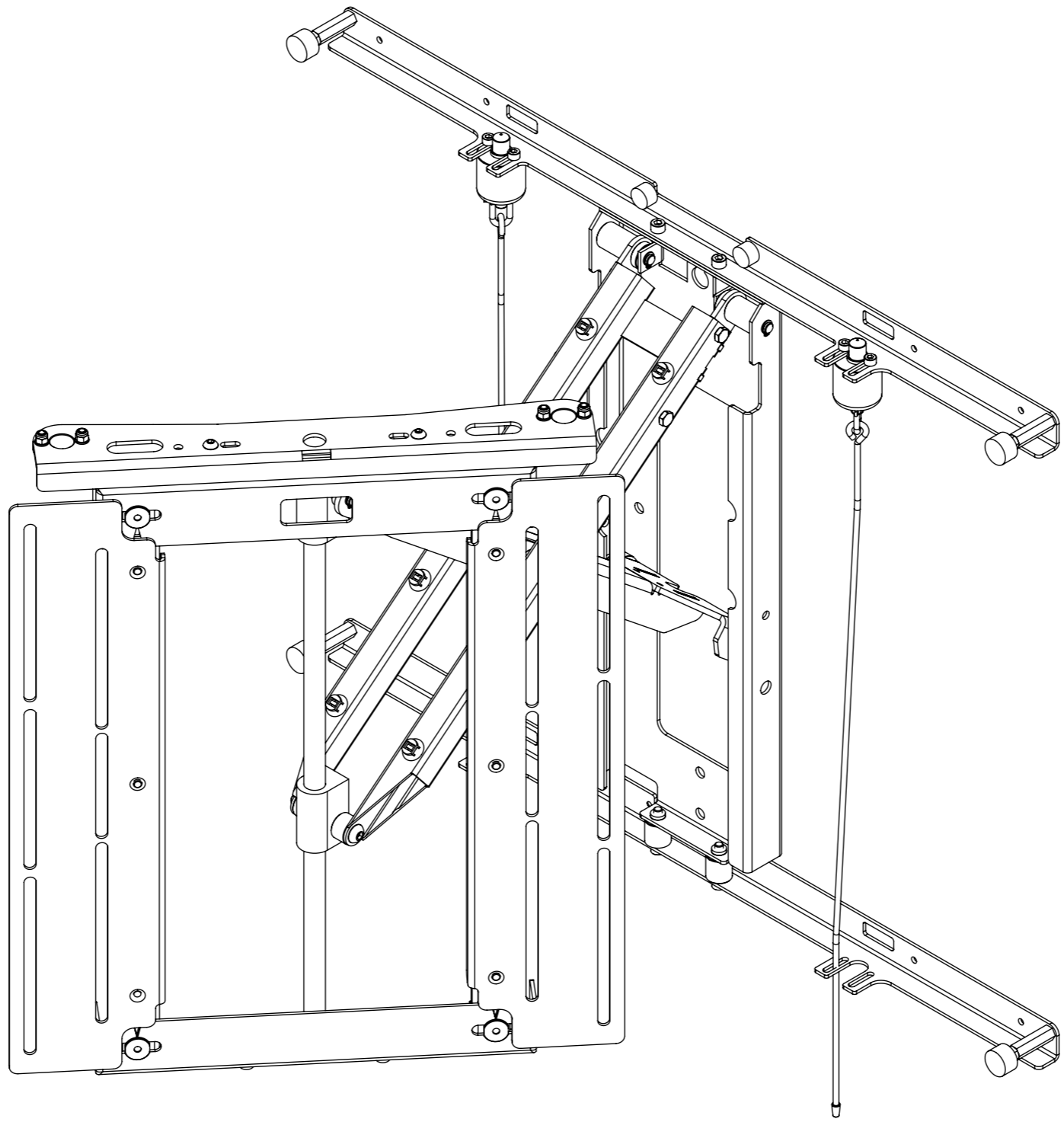


# PS40-M

## MARINE INDOOR PULL & SWIVEL MANUAL SERVICE BRACKET



# PS40-M



future automation

## MARINE INDOOR PULL & SWIVEL MANUAL SERVICE BRACKET

SPECIFICATION	MEASUREMENTS
Product Dimensions	557mm (21 15/16") x 700mm (27 9/16") x 56mm (2 3/16")
Screen Sizes	40" - 75"
Maximum Weight Capacity	60Kg (132lb)
Maximum Extension From Wall	400mm (15 3/4")
Minimum Depth From Wall	56mm (2 3/16")
Product Weight	11.5Kg (25.4 lb)
Packaging Dimensions	TBC
Shipping Weight	TBC
Maximum Rotation	45° - Bi-directional with 43" screen - 38° with 55" - 32° with 65" - 27° with 75"
Movement Type	Manual
Mounting Patterns Supported	VESA 400, 300, 200, 100 W x 400, 300, 200, 100 H
Product Options / Features	Specific B&O and Loewe mounts / adapters, Custom RAL paint finishes, Marine suitable version
Package Contents	Mechanism
Marine Suitable	Yes (Indoor)

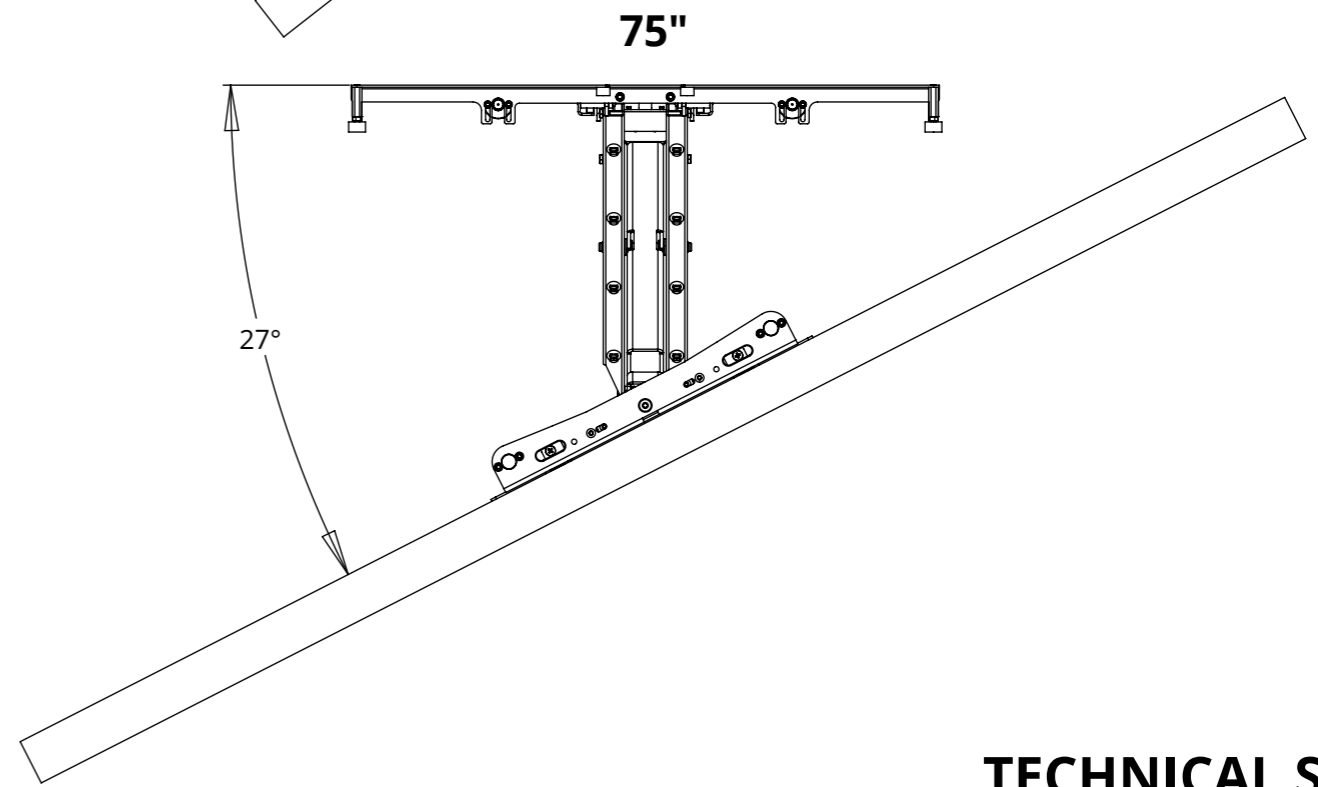
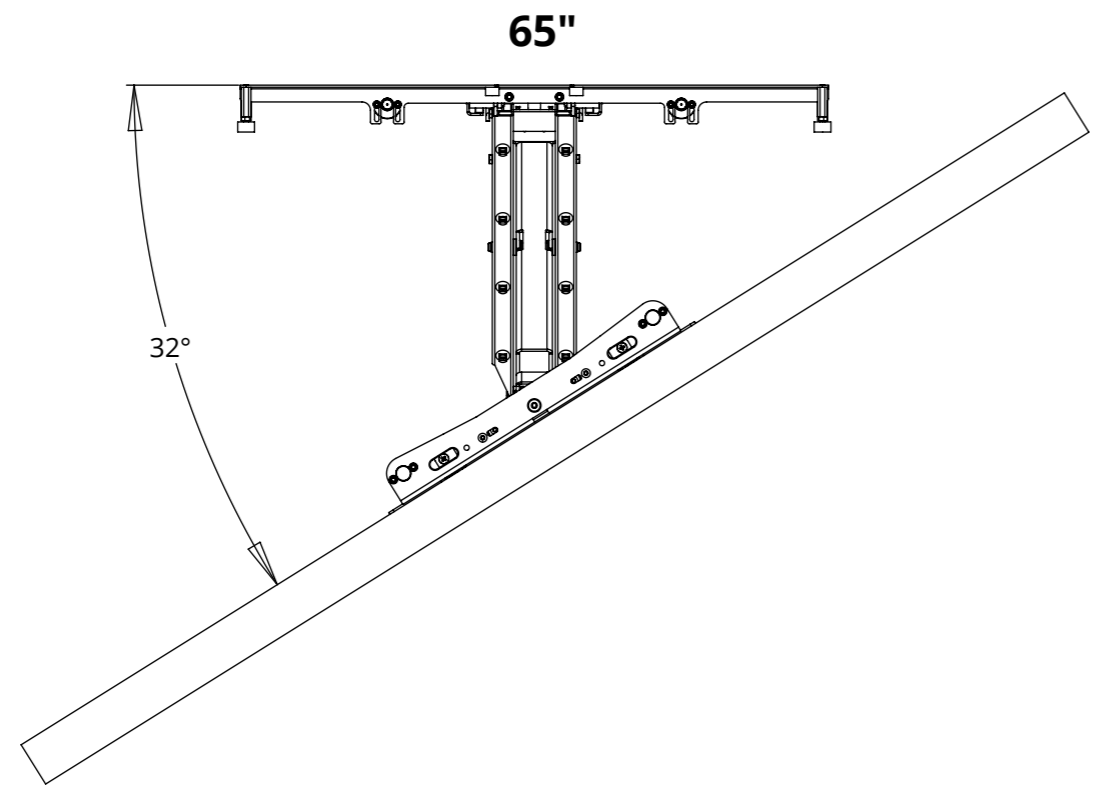
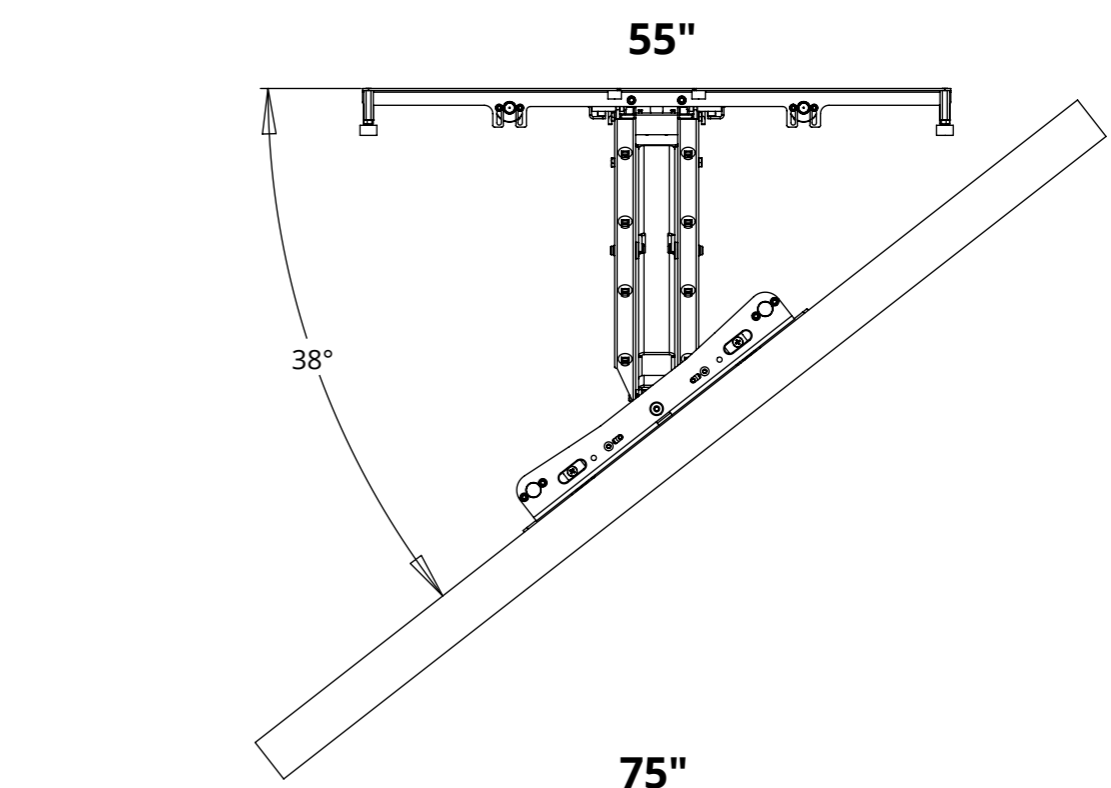
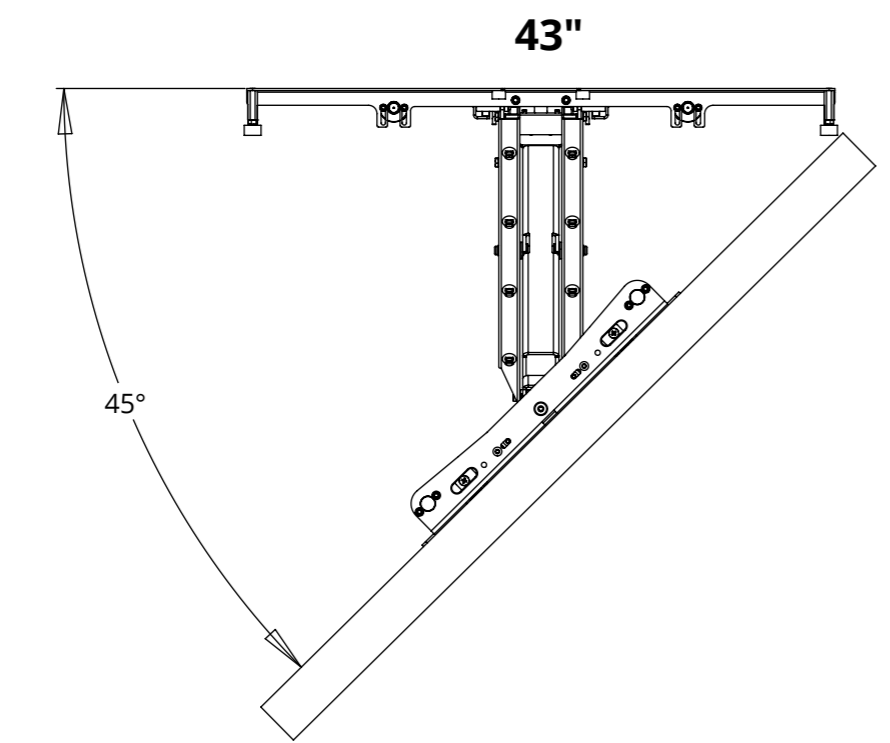
# PS40-M

## MARINE INDOOR PULL & SWIVEL MANUAL SERVICE BRACKET

### SCREEN ANGLES

The views below show the approximate maximum swivel angles achievable for varying screen sizes.

**NOTE:** The maximum swivel angle achievable is 50° regardless of screen size



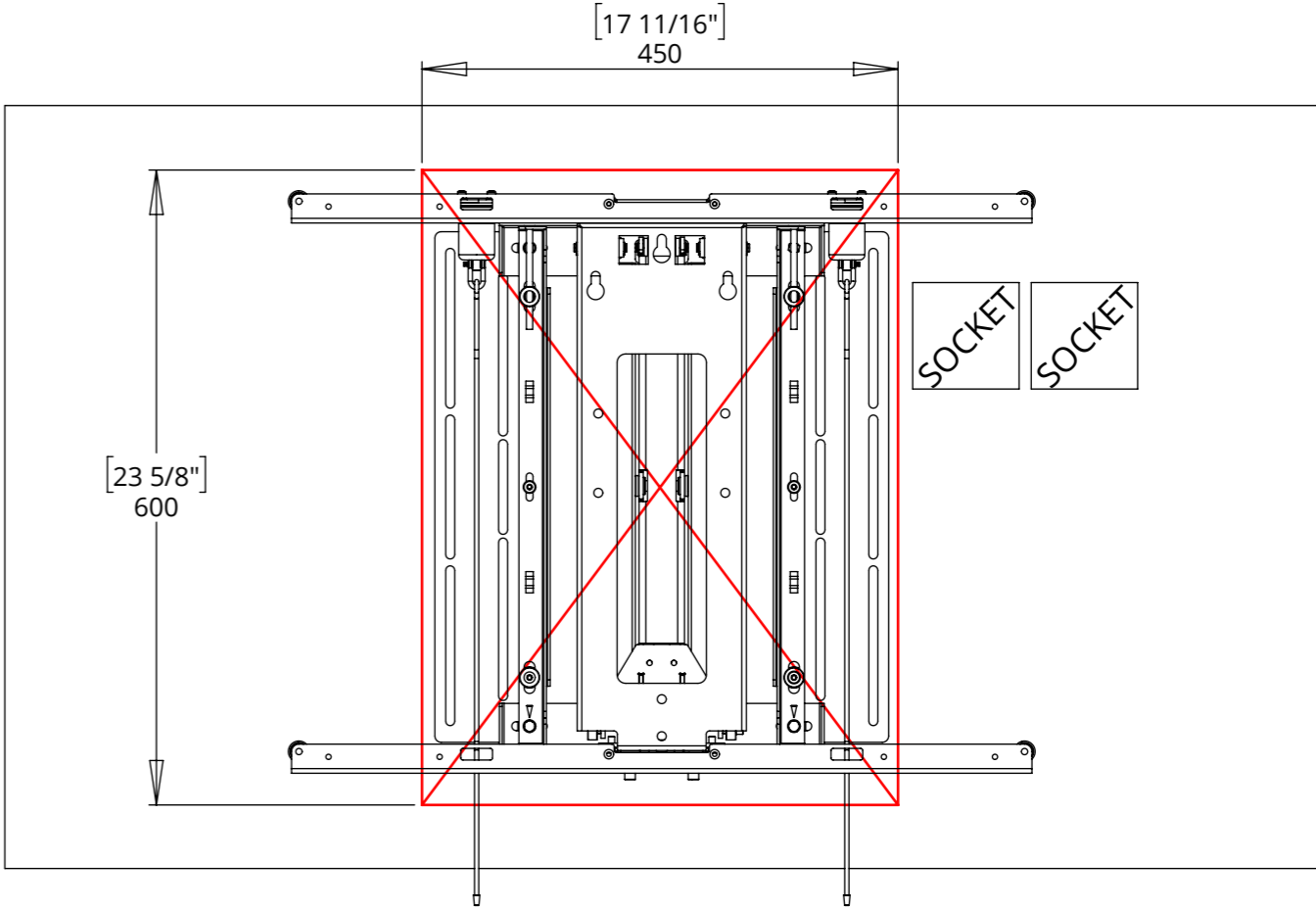
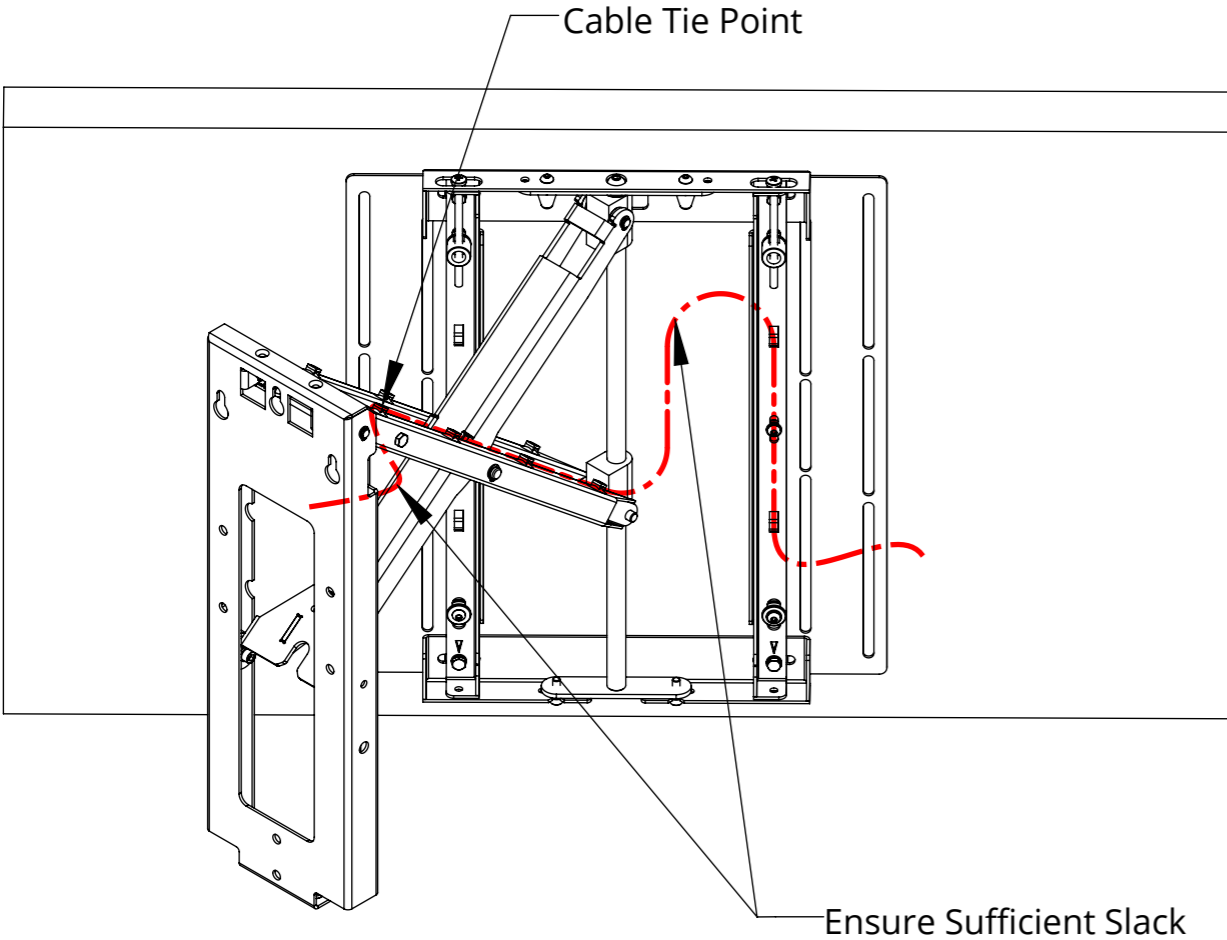
# PS40-M

## MARINE INDOOR PULL & SWIVEL MANUAL SERVICE BRACKET

### CABLE ROUTING AND SOCKET LOCATION

Route the screen cables as shown below ensuring sufficient slack at moving points and secure in place using the integrated cable tie points. Marine locking system hidden for clarity.

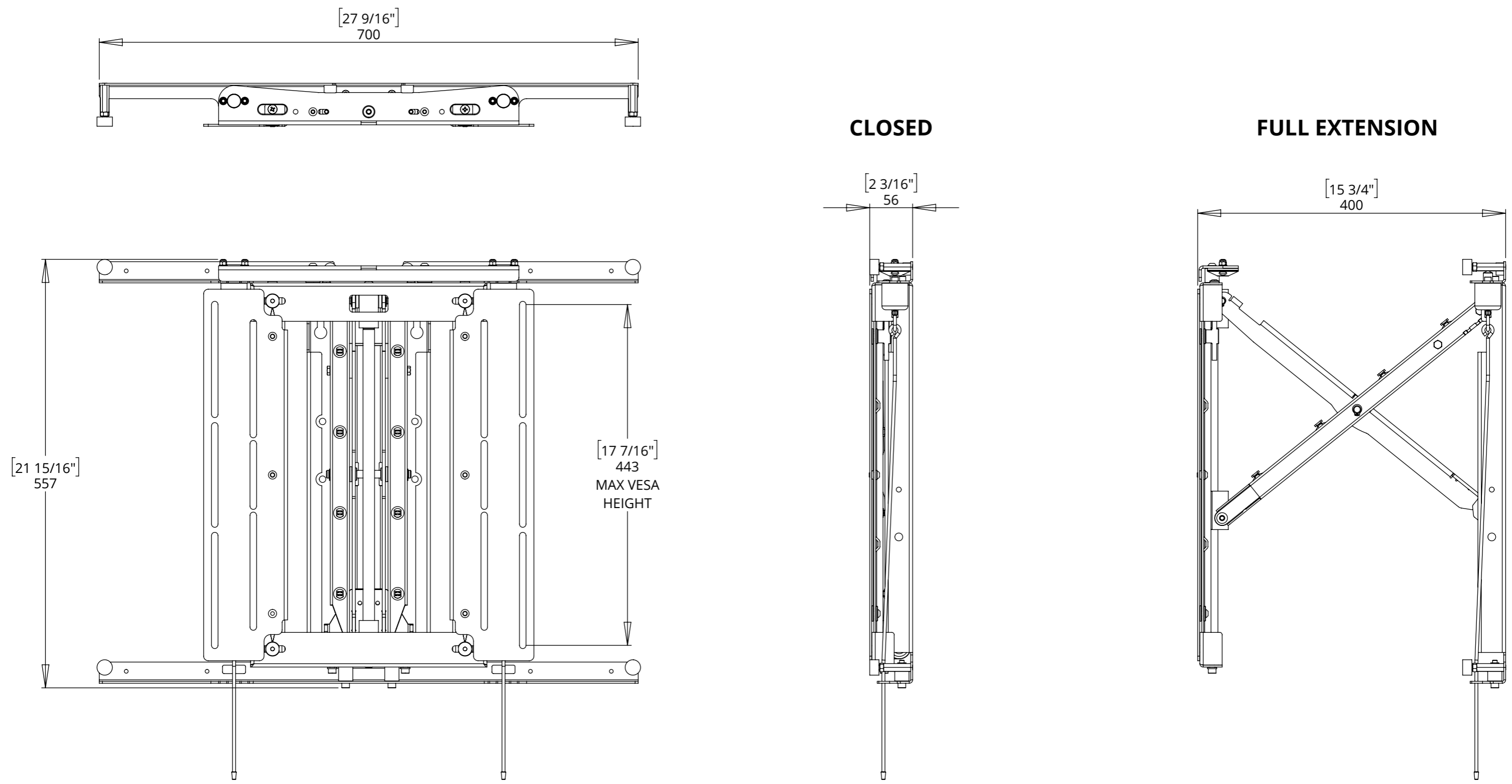
Wall sockets should be ideally placed as shown outside of the bracket footprint to maximise space for cable routing



# PS40-M

## MARINE INDOOR PULL & SWIVEL MANUAL SERVICE BRACKET

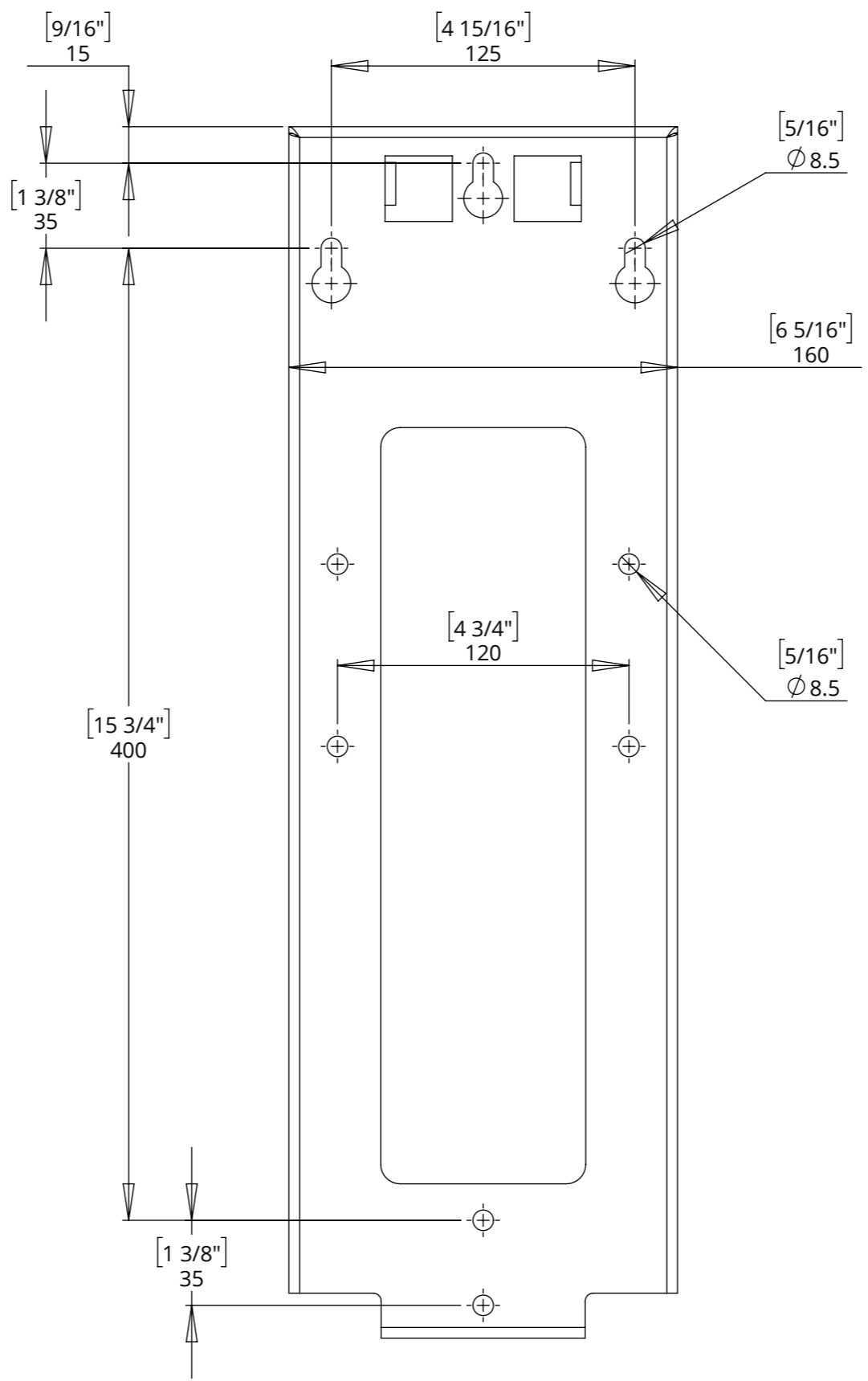
### GENERAL DIMENSIONS



## MARINE INDOOR PULL & SWIVEL MANUAL SERVICE BRACKET

### MOUNTING DIMENSIONS

Make sure the wall that the bracket is being mounted to is secure and strong enough to support the bracket and screen.



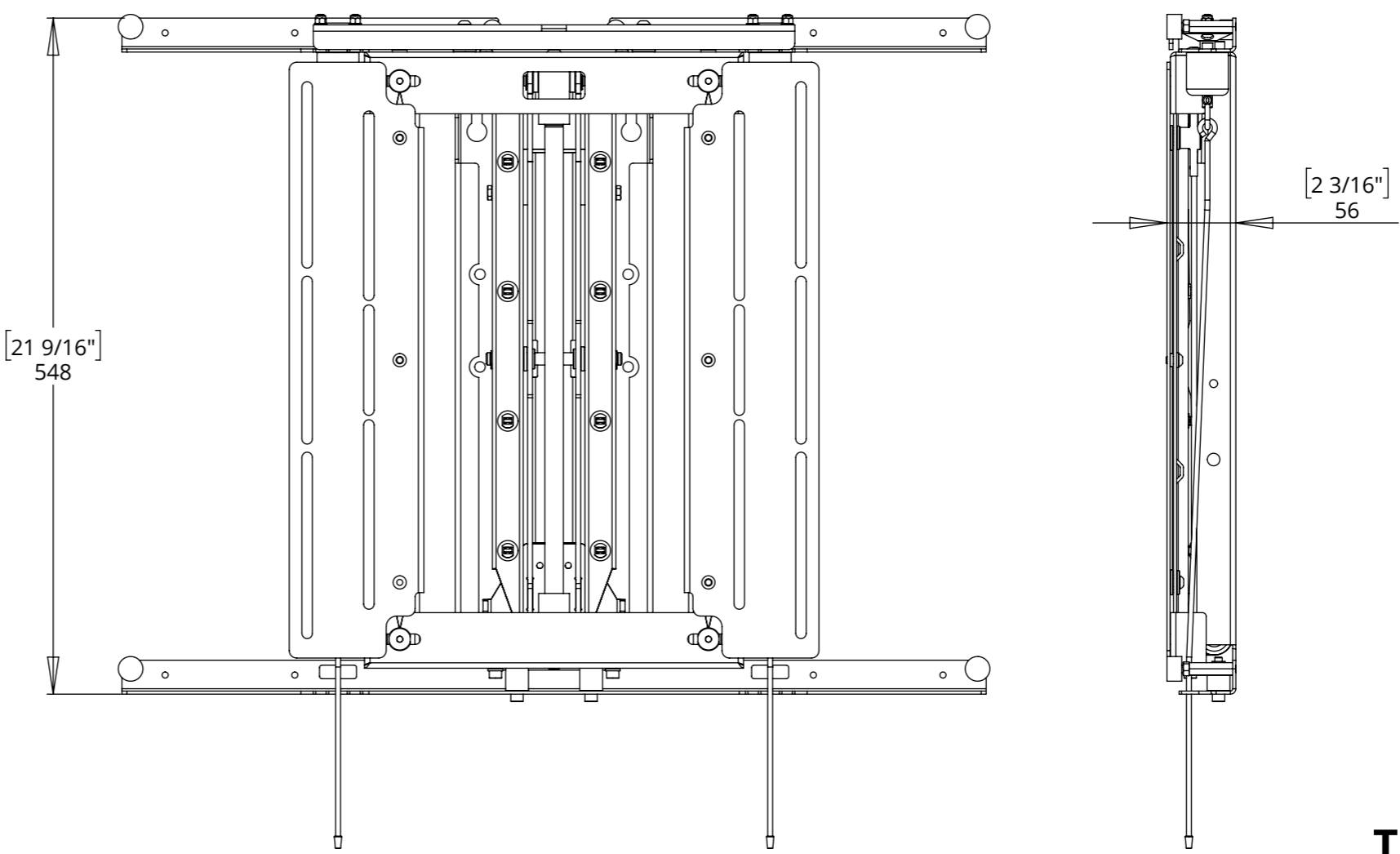
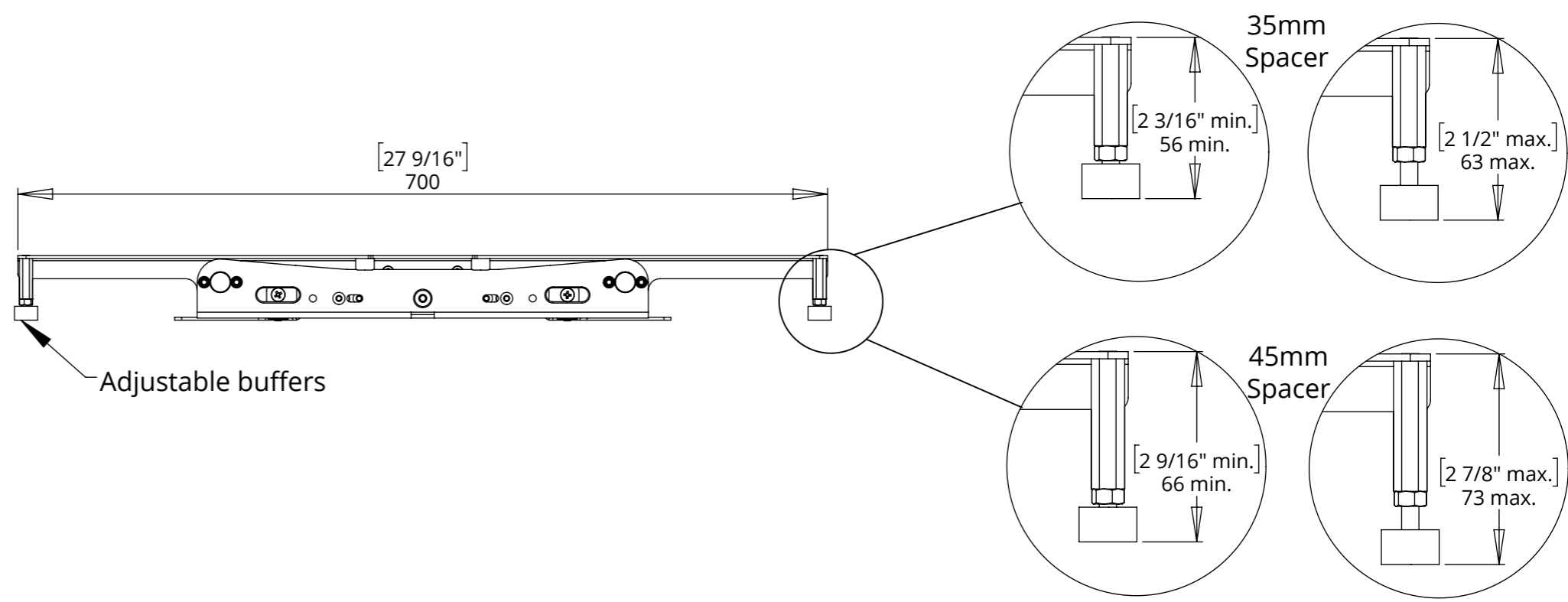
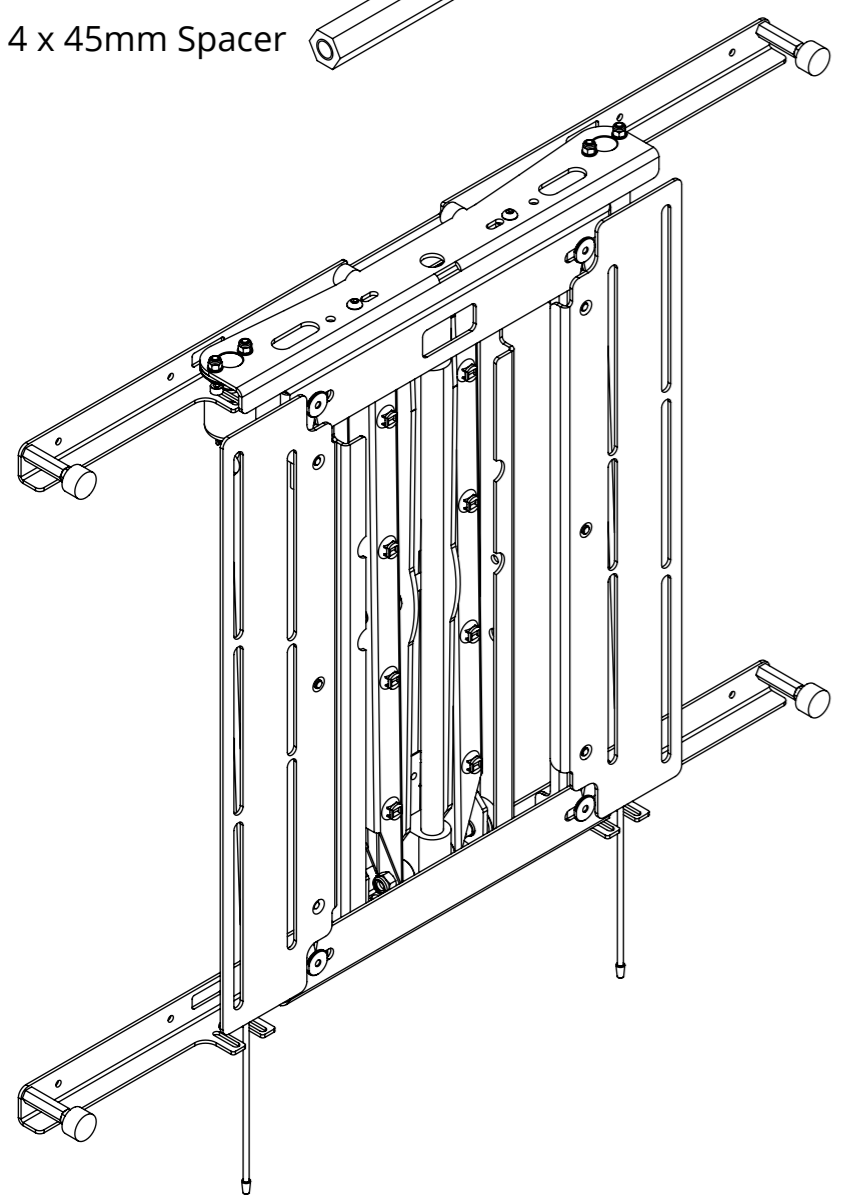
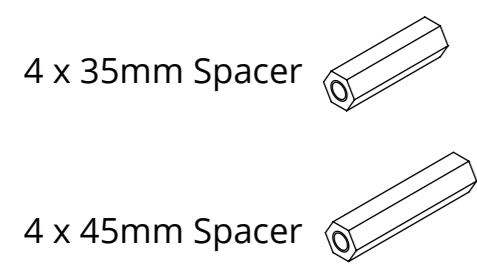
# PS40-M

## MARINE INDOOR PULL & SWIVEL MANUAL SERVICE BRACKET

### MARINE LOCK

Intended to enable easy servicing by pulling on two cords to release the spring loaded catches at the top of the bracket. The cords would be attached at the bottom back edge of the screen before pushing the bracket back into place.

4 x Adjustable buffers provide stability for the screen corners. These are mounted on provided Hex Spacers (2 Lengths Provided)



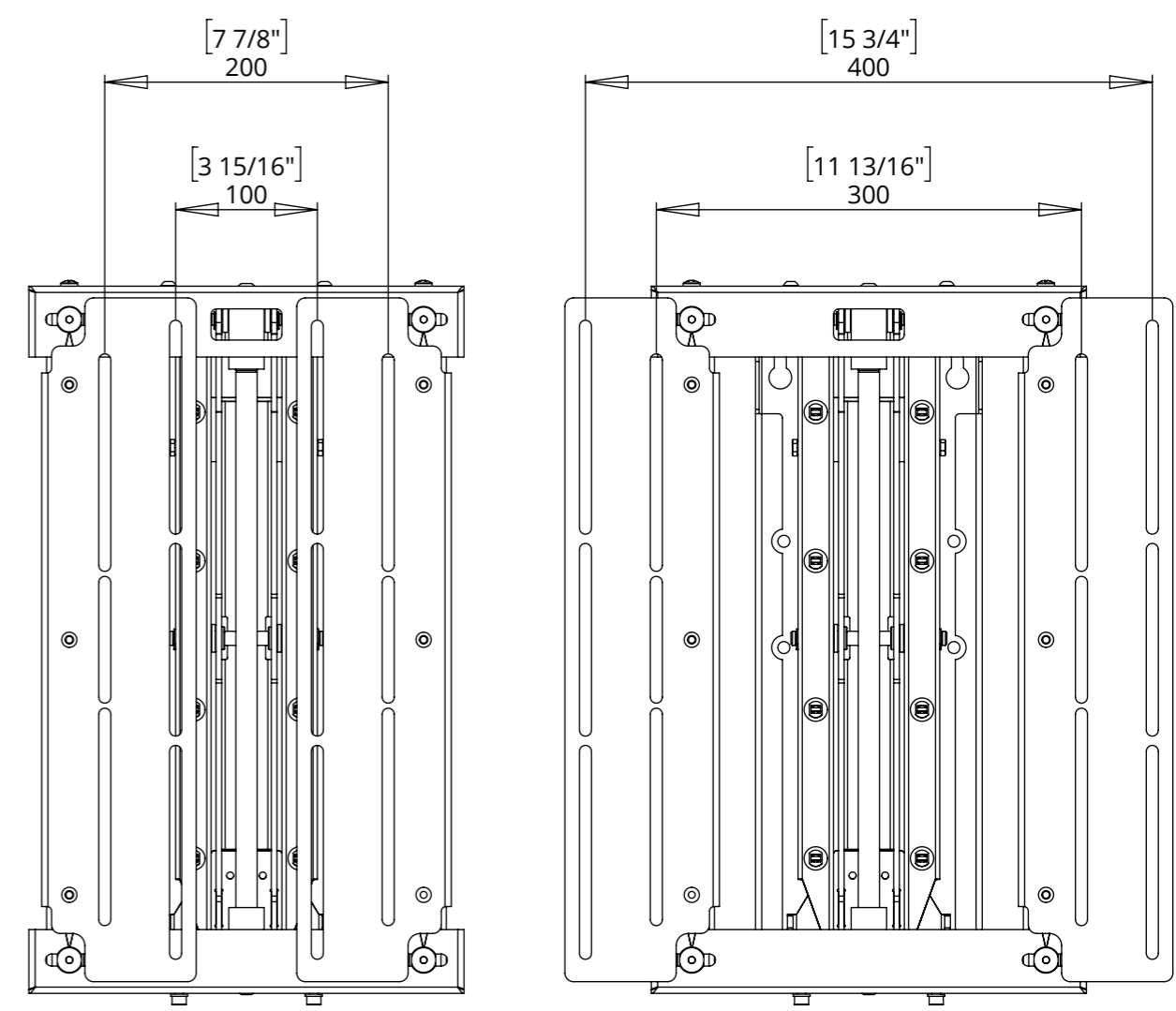
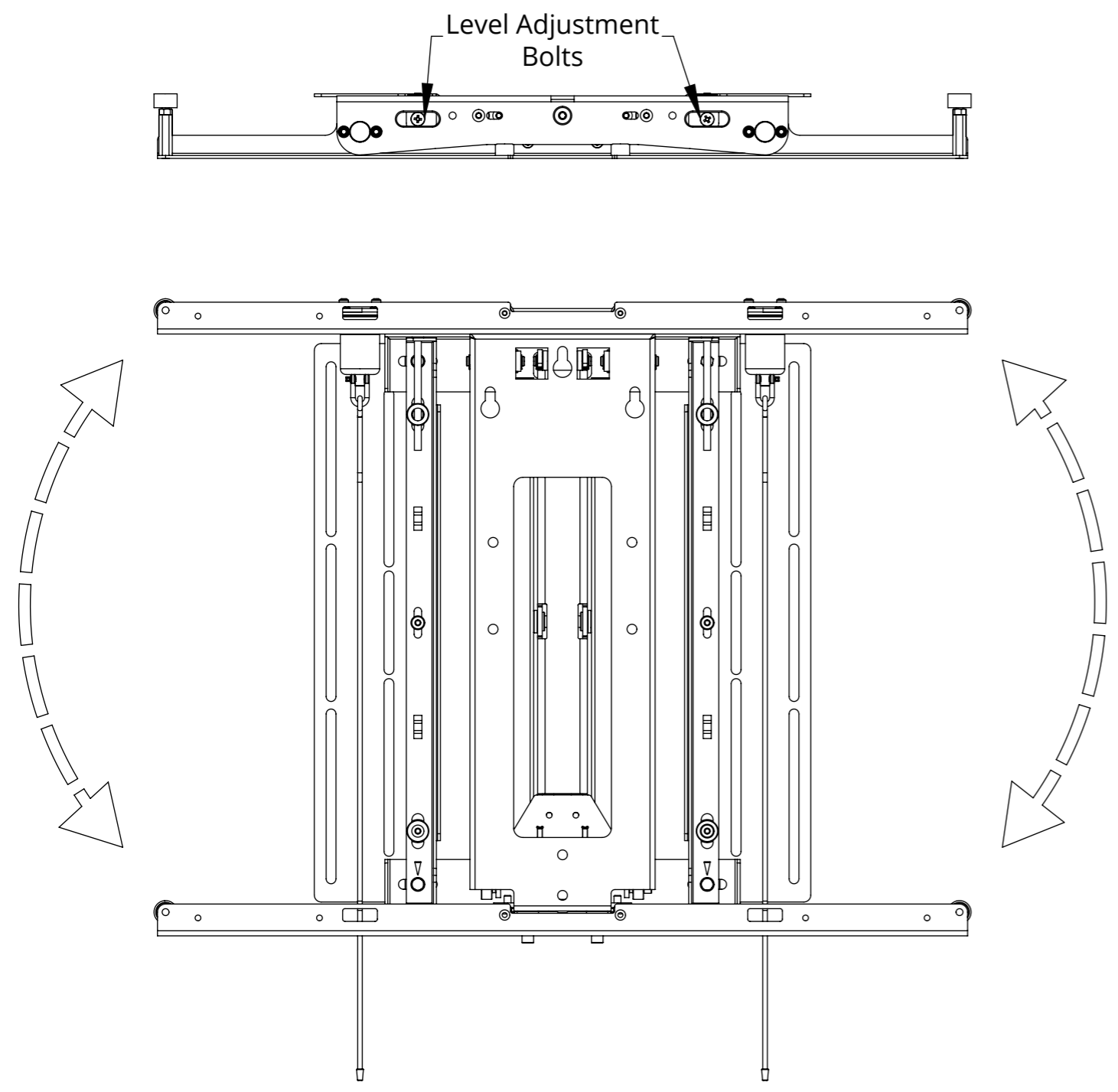
# PS40-M

## MARINE INDOOR PULL & SWIVEL MANUAL SERVICE BRACKET

### SCREEN ADJUSTMENT

The angle of the screen can be fine tuned to horizontal by adjusting the 2 POZI bolts on top of the screen frame

The PS brackets uprights can be reversed to offer VESA 100, 200, 300 & 400 Width





# PS40-M

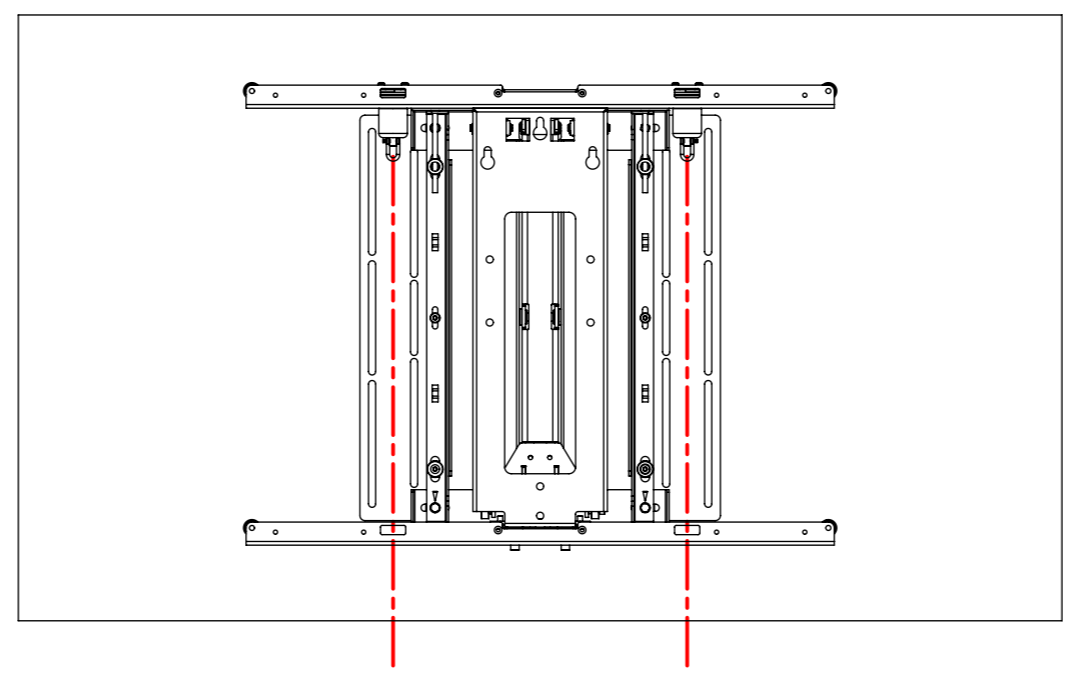
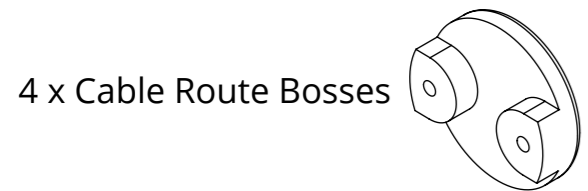
## MARINE INDOOR PULL & SWIVEL MANUAL SERVICE BRACKET

### MARINE CATCH CABLE ROUTING

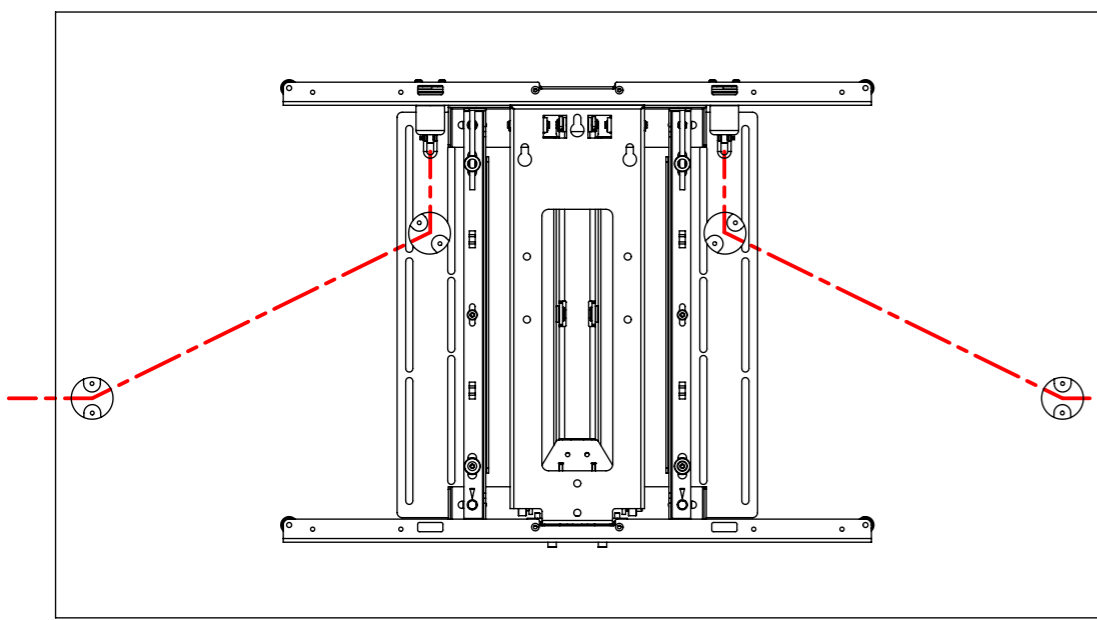
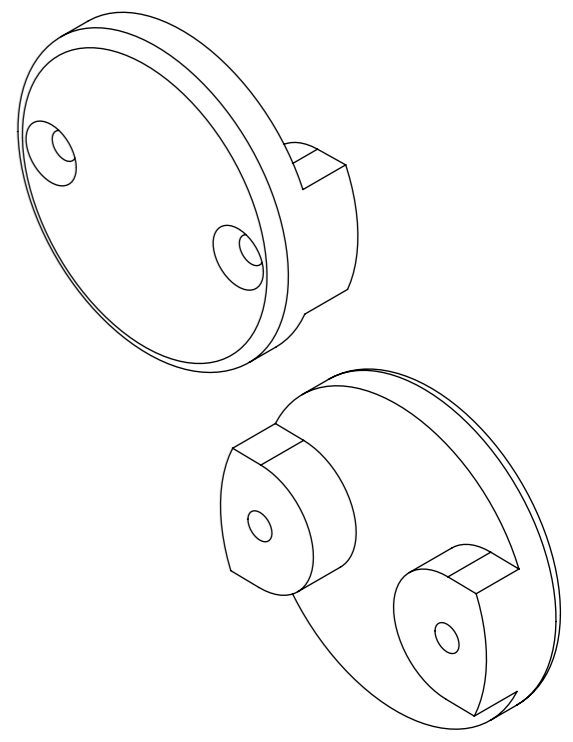
4 x Cable Routing Bosses are provided to route the 2 marine catch cords to the outer edges of the screen

Mount boss to be secured to the wall with countersunk fixings (**NOT PROVIDED**)

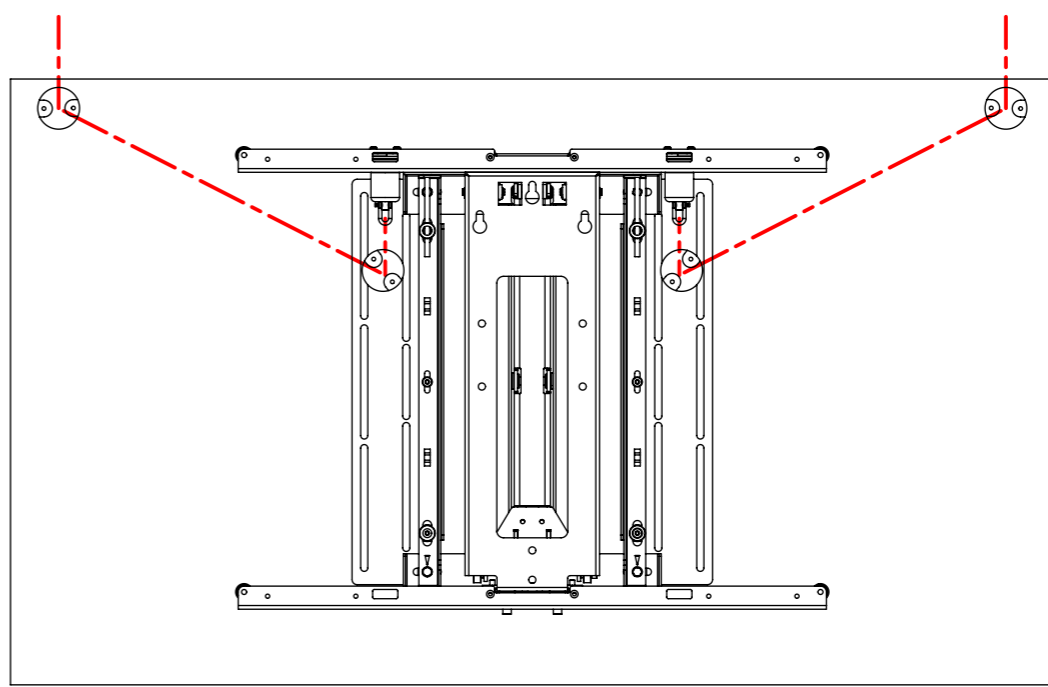
Additional Cable Route Bosses Can be purchased using order code **CRB-PS-M**



No Cable Routing Bosses used  
Cables hang below the screen



Cable Routing Bosses used  
Cables routed to the side of screen



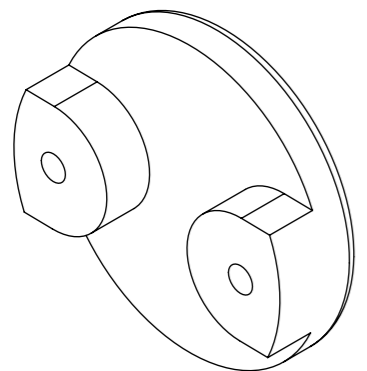
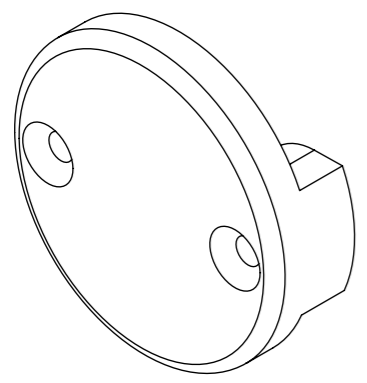
Cable Routing Bosses used  
Cables routed to the top of screen  
This orientation increases pulling power required to release marine catch

# PS40-M

## MARINE INDOOR PULL & SWIVEL MANUAL SERVICE BRACKET

### ADDITIONAL ACCESSORIES

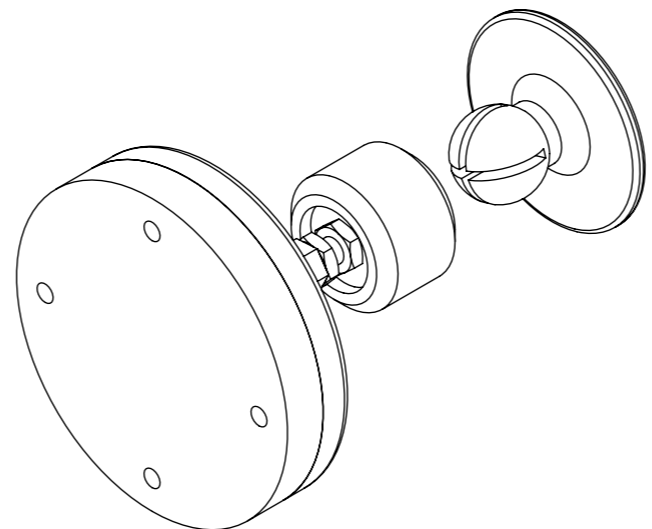
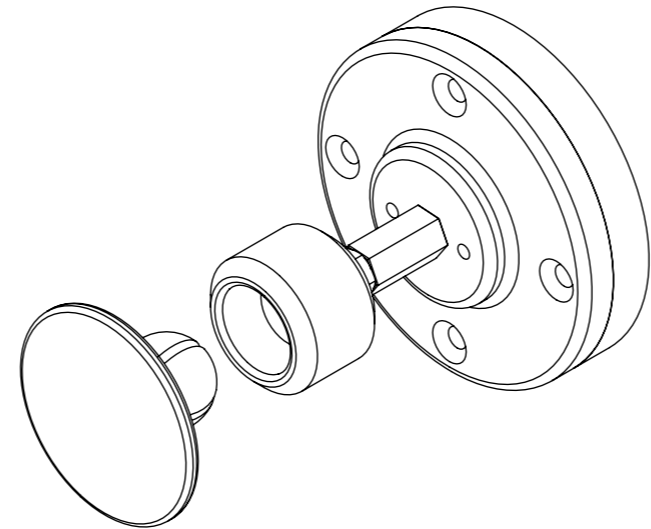
#### CABLE ROUTING BOSS KIT



4 x Cable Routing Bosses are **provided** as standard with the marine PS brackets.

**Additional** sets can be ordered with code **CRB-PS-M**

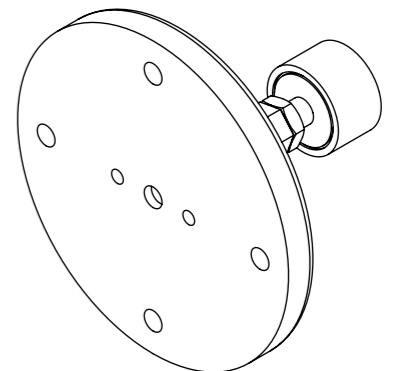
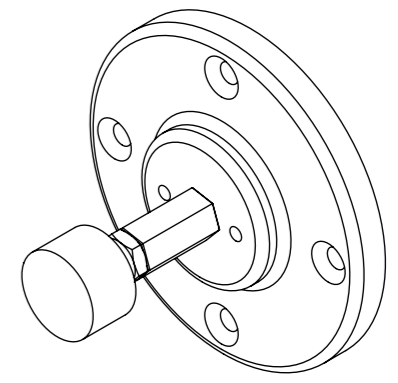
#### BALL & SOCKET KIT



Sets of 4 x Ball and Socket Catches to be used with the marine PS bracket to retain and stabilise the screen edges.

Full Details refer to **BS-PS-M** Technical Sheet

#### RUBBER POST KIT



Sets of 4 x Rubber screen Posts to be used with the marine PS bracket to apply pressure and stabilise the screen edges.

Full Details refer to **RP-PS-M** Technical Sheet