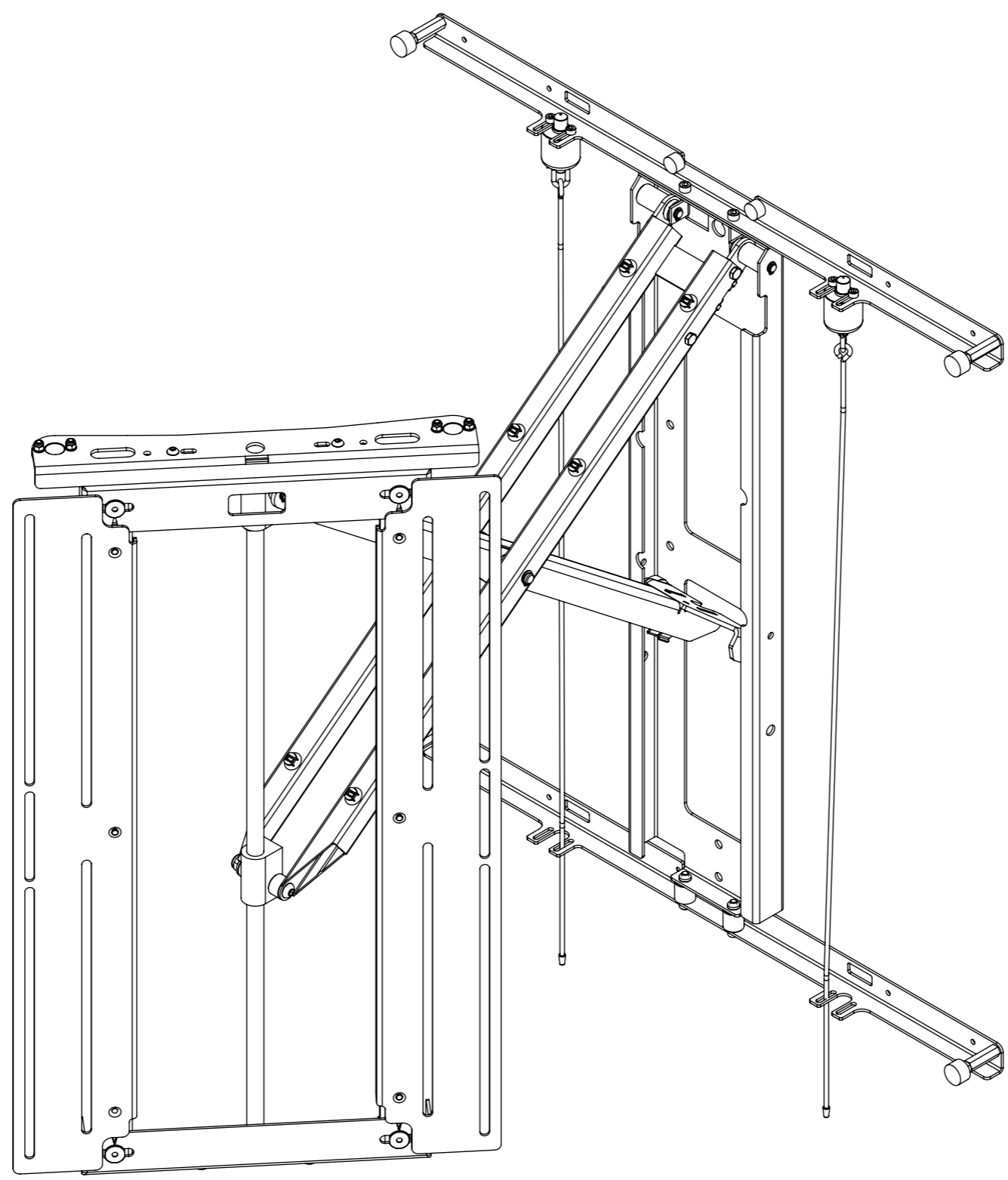


PS65-M

MARINE INDOOR PULL & SWIVEL MANUAL SERVICE BRACKET



PS65-M



MARINE INDOOR PULL & SWIVEL MANUAL SERVICE BRACKET

SPECIFICATION	MEASUREMENTS
Product Dimensions	797mm (31 3/8") x 700mm (27 9/16") x 56mm (2 3/16")
Screen Sizes	65" - 75"
Maximum Weight Capacity	60Kg (132 lb)
Maximum Extension From Wall	595mm (23 7/16")
Minimum Depth From Wall	56mm (2 3/16")
Product Weight	15.2Kg (33.5 lb)
Packaging Dimensions	TBC
Shipping Weight	TBC
Maximum Rotation	50° - Bi-directional with 65" screen - 43° with 75"
Movement Type	Manual
Mounting Patterns Supported	VESA 400, 300, 200, 100 W x 400, 300, 200, 100 H
Product Options / Features	Specific B&O and Loewe mounts / adapters, Custom RAL paint finishes, Marine suitable version
Package Contents	Mechanism
Marine Suitable	Yes (Indoor)

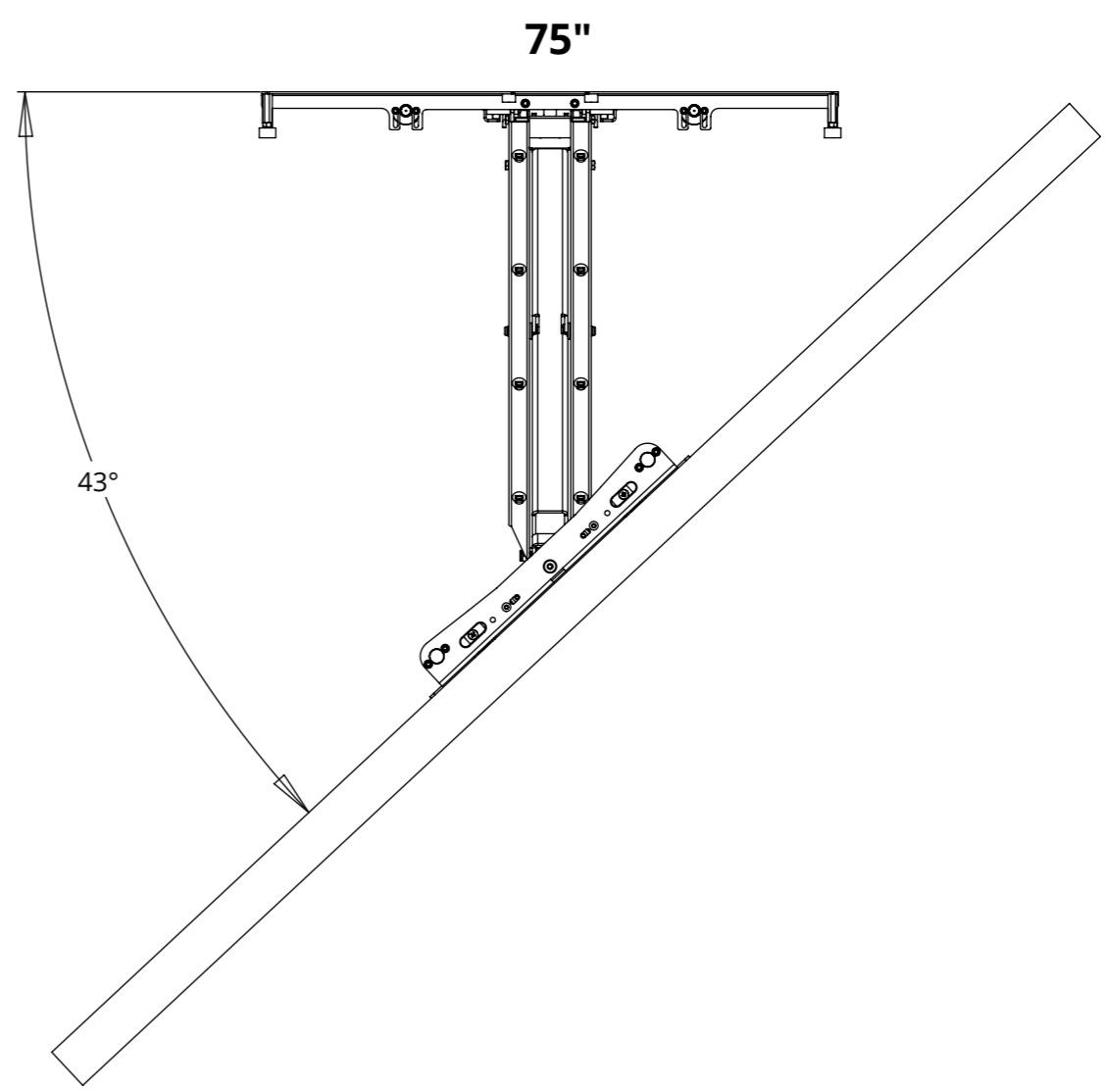
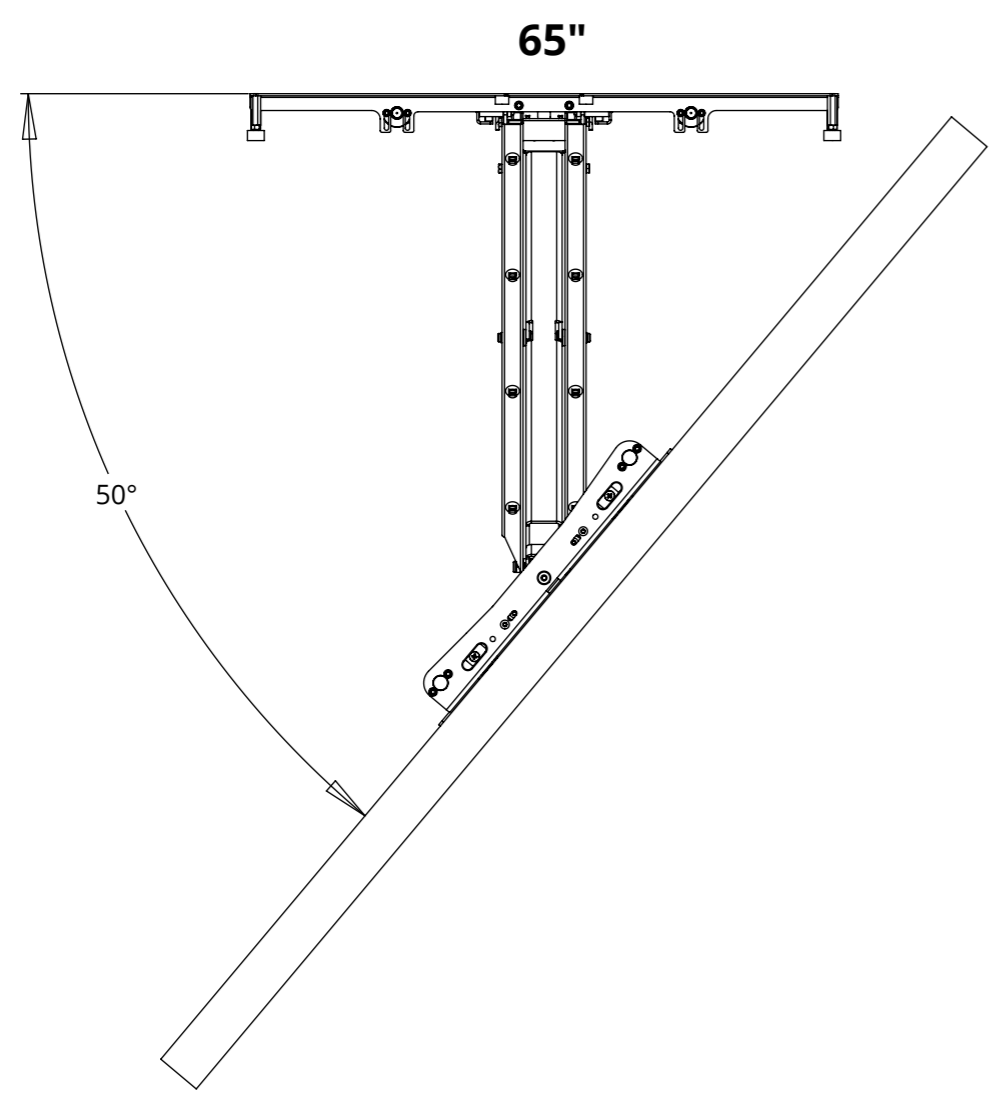
PS65-M

MARINE INDOOR PULL & SWIVEL MANUAL SERVICE BRACKET

SCREEN ANGLES

The views below show the approximate maximum swivel angles achievable for varying screen sizes.

NOTE: The maximum swivel angle achievable is 50° regardless of screen size



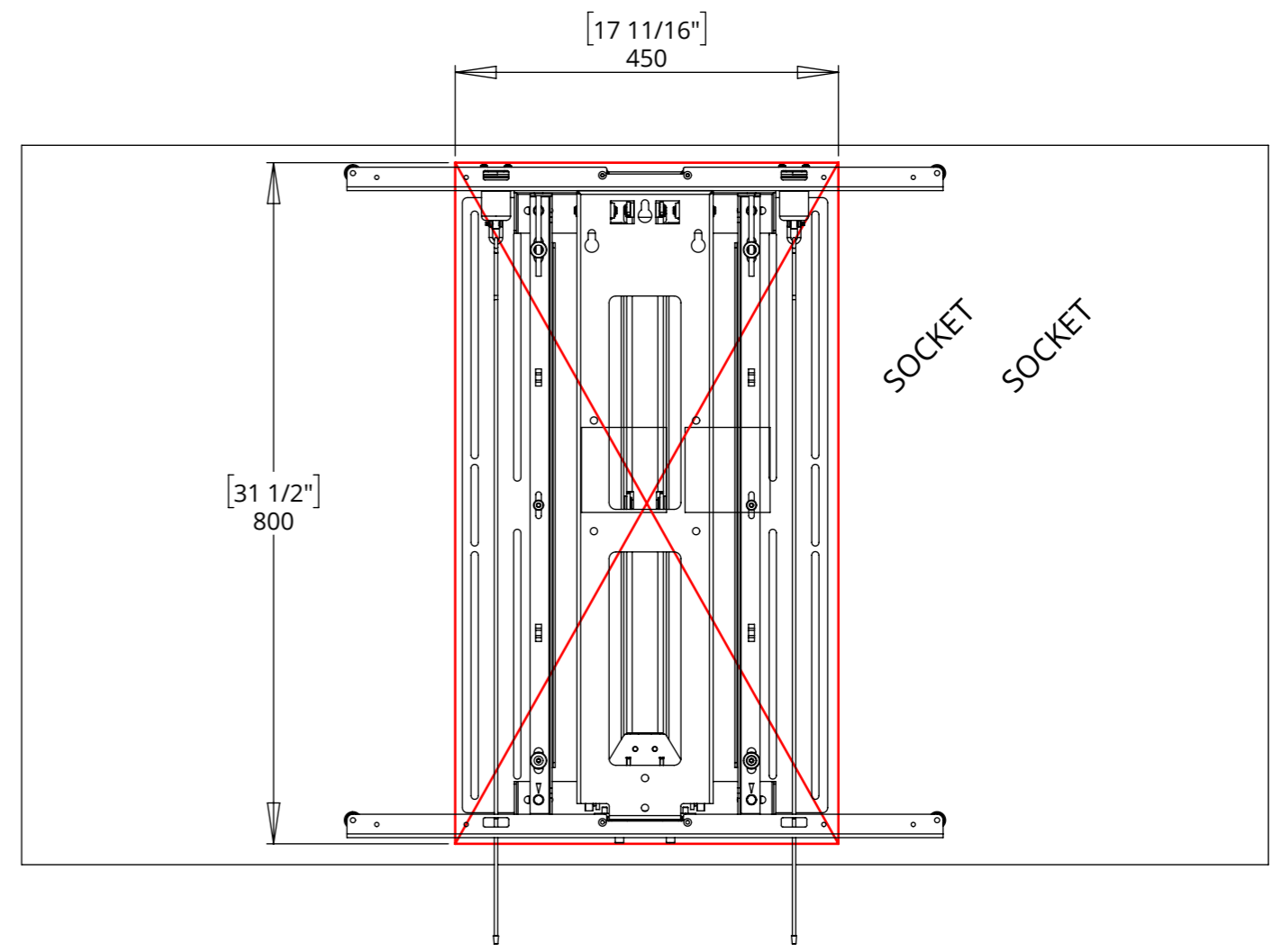
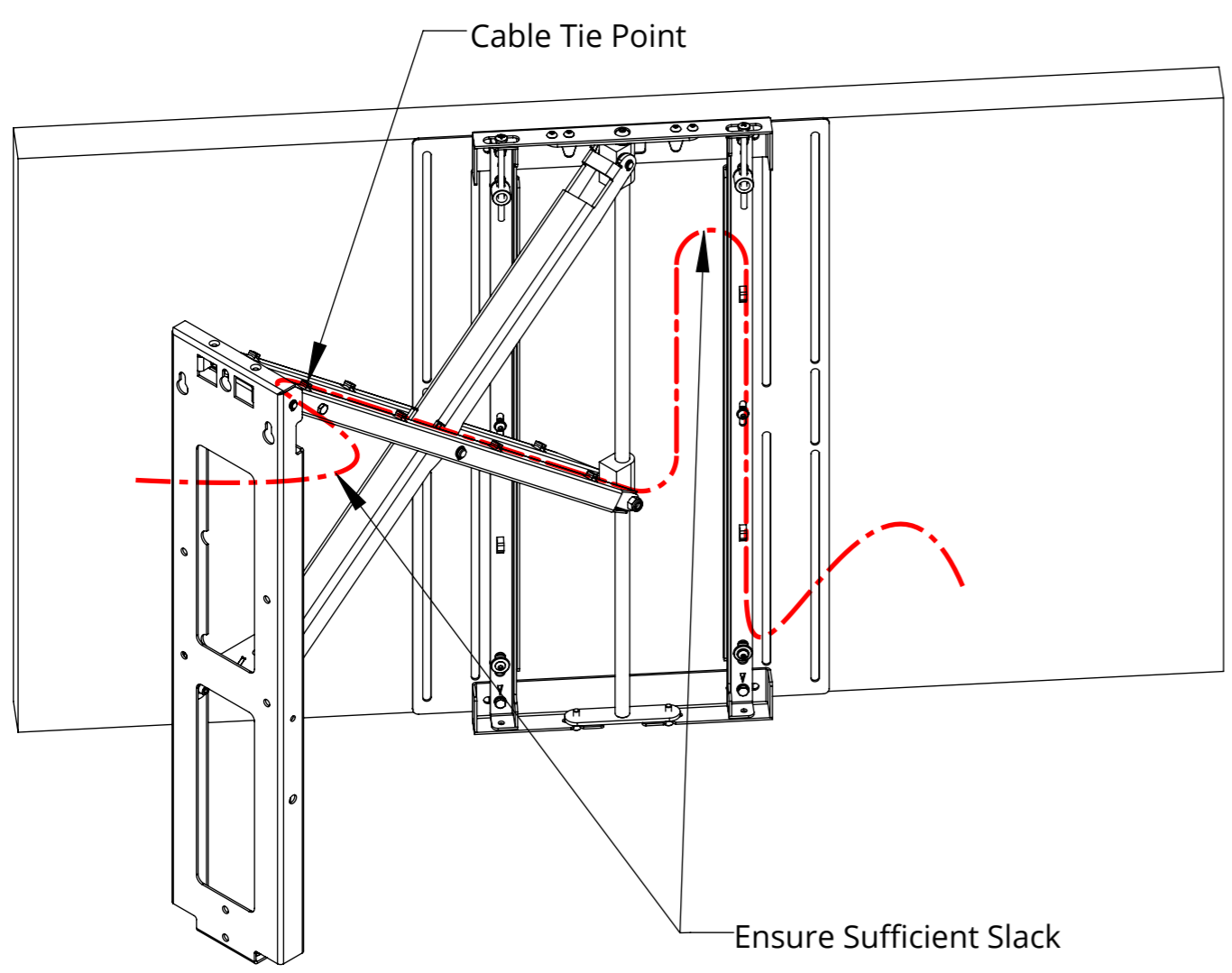
PS65-M

MARINE INDOOR PULL & SWIVEL MANUAL SERVICE BRACKET

CABLE ROUTING AND SOCKET LOCATION

Route the screen cables as shown below ensuring sufficient slack at moving points and secure in place using the integrated cable tie points. Marine locking system hidden for clarity.

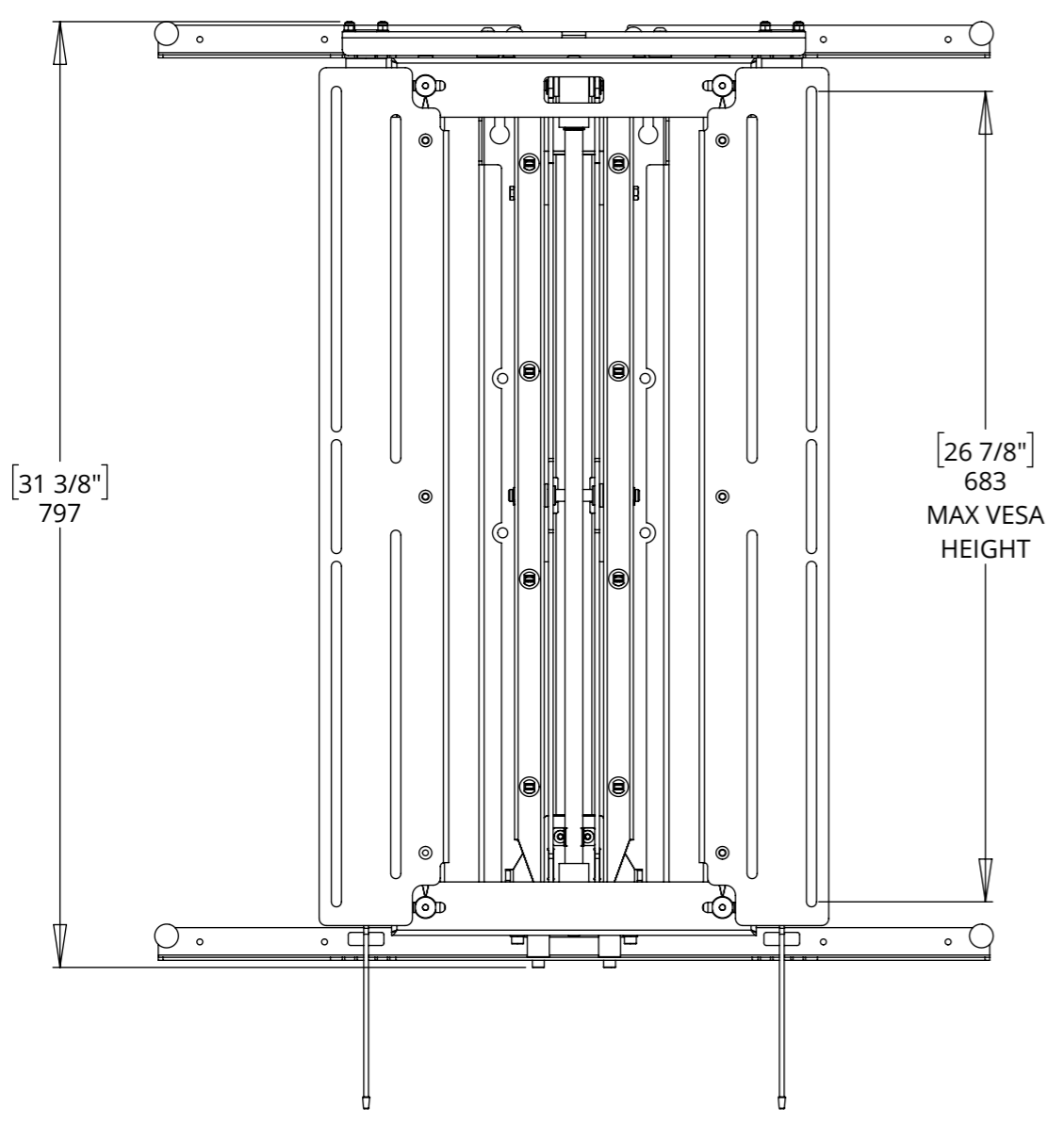
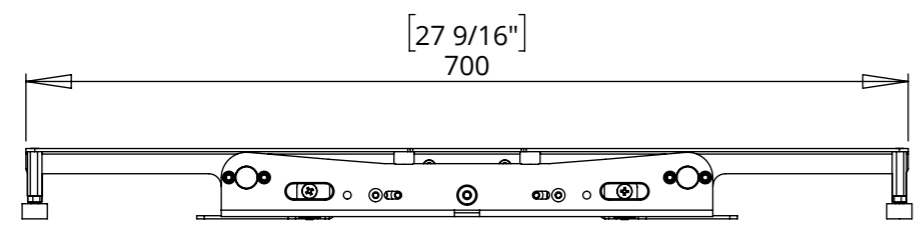
Wall sockets should be ideally placed as shown outside of the bracket footprint to maximise space for cable routing



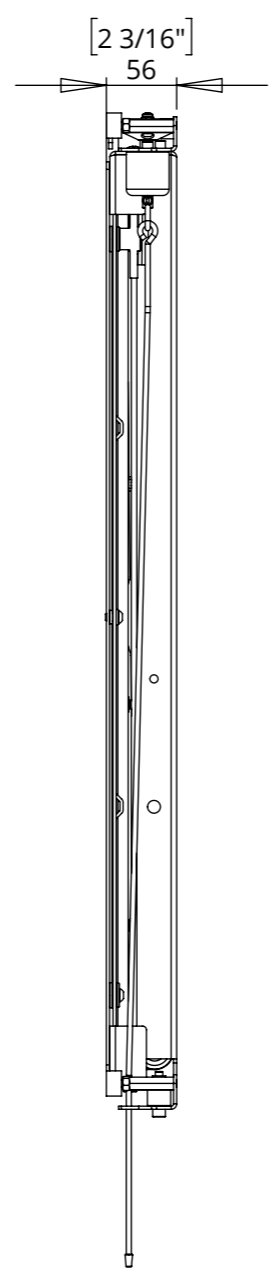
PS65-M

MARINE INDOOR PULL & SWIVEL MANUAL SERVICE BRACKET

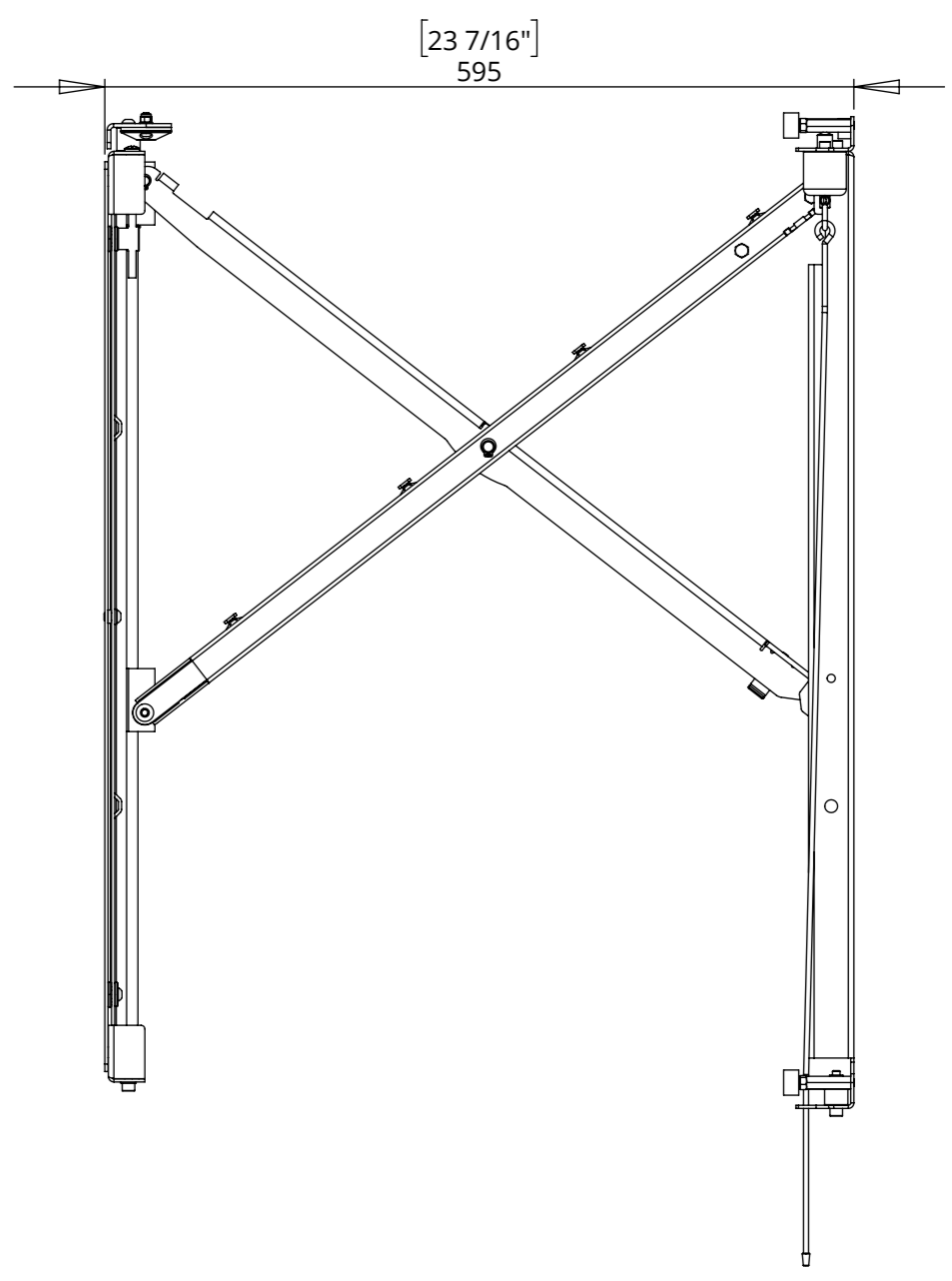
GENERAL DIMENSIONS



CLOSED



FULL EXTENSION

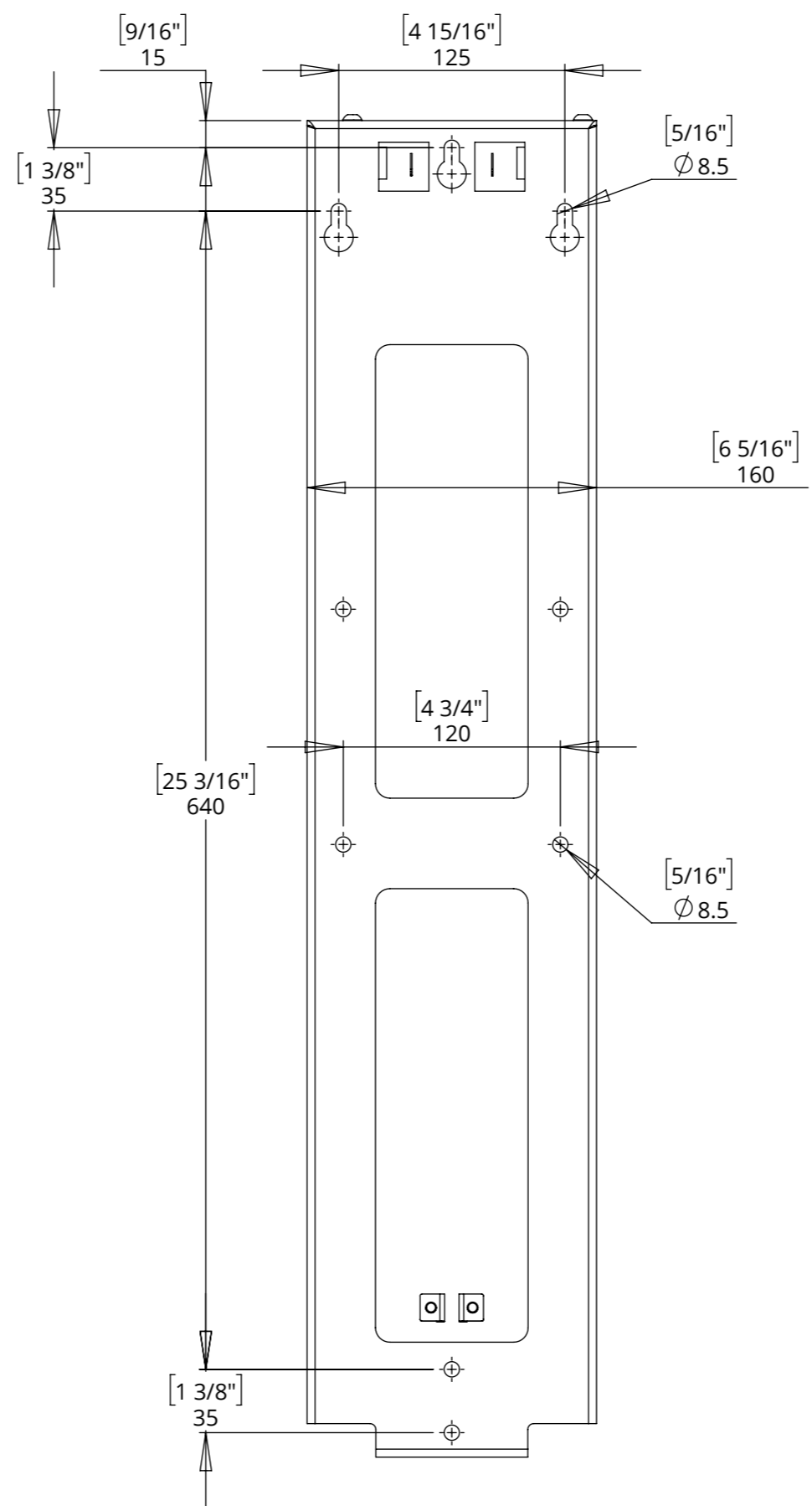


PS65-M

MARINE INDOOR PULL & SWIVEL MANUAL SERVICE BRACKET

MOUNTING DIMENSIONS

Make sure the wall that the bracket is being mounted to is secure and strong enough to support the bracket and screen.



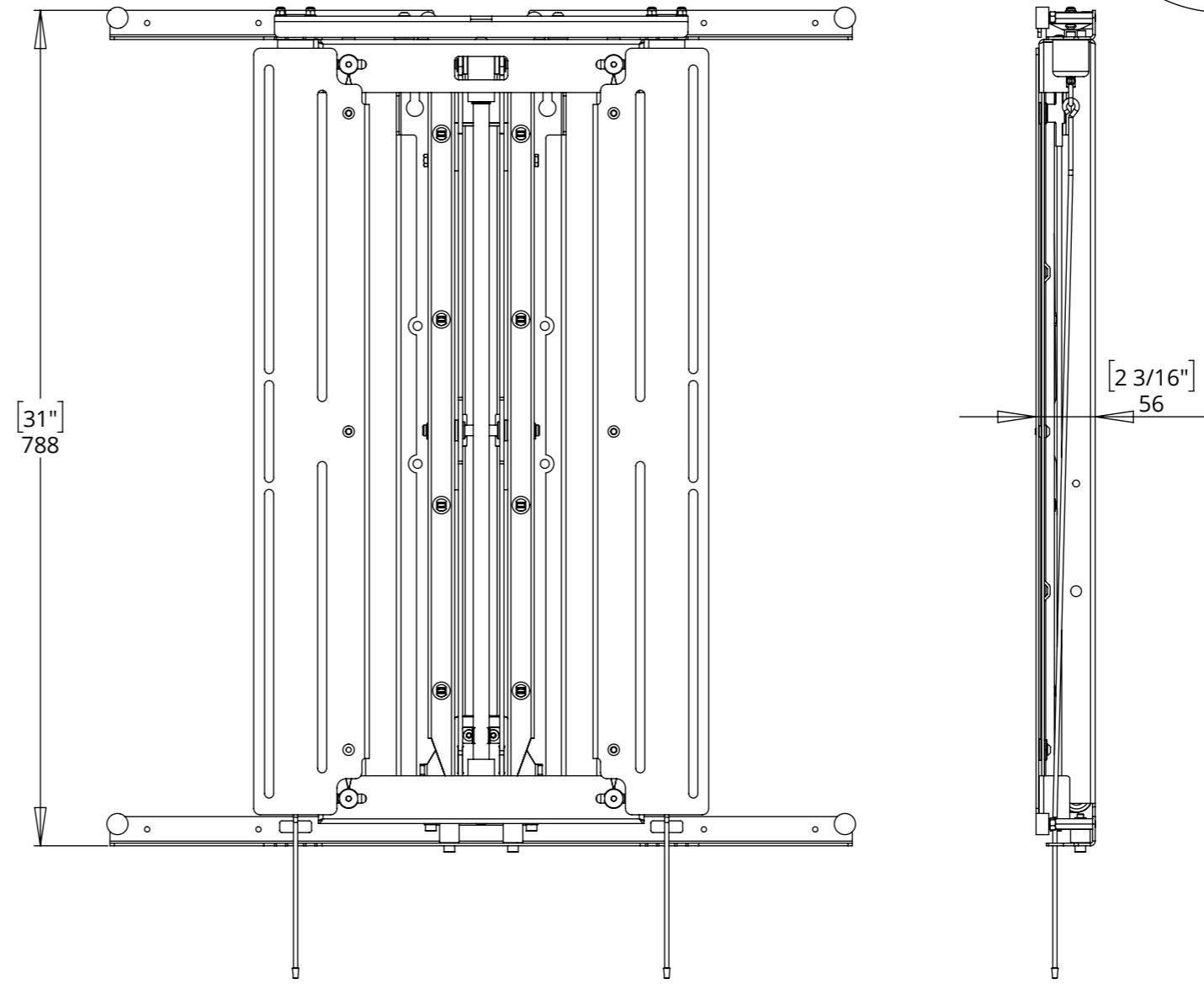
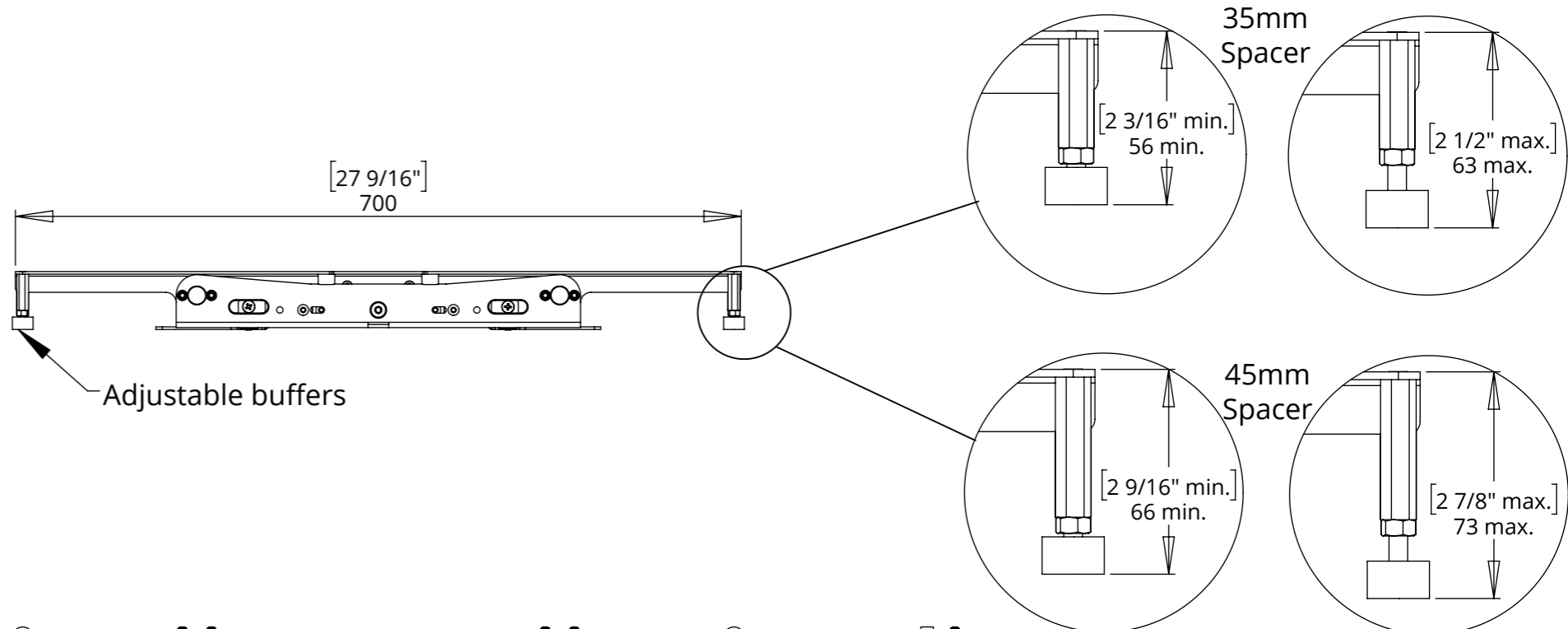
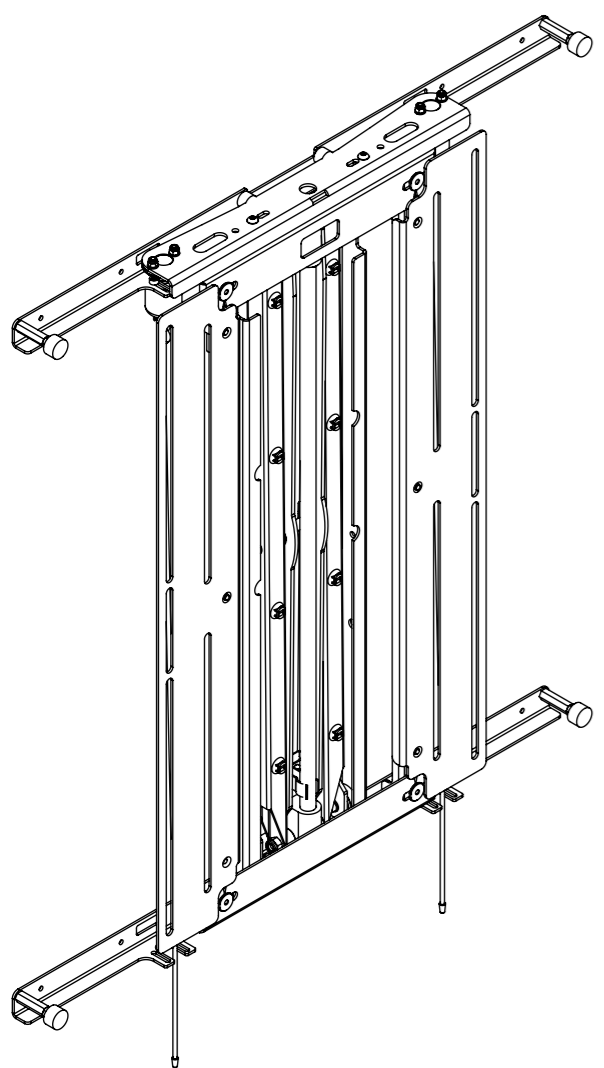
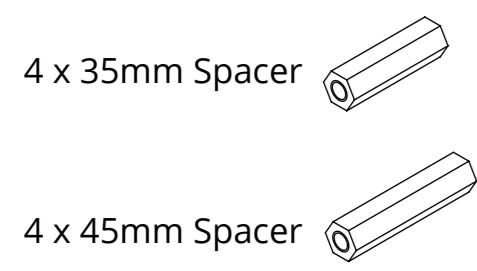
PS65-M

MARINE INDOOR PULL & SWIVEL MANUAL SERVICE BRACKET

MARINE LOCK

Intended to enable easy servicing by pulling on two cords to release the spring loaded catches at the top of the bracket. The cords would be attached at the bottom back edge of the screen before pushing the bracket back into place.

4 x Adjustable buffers provide stability for the screen corners. These are mounted on provided Hex Spacers (2 Lengths Provided)

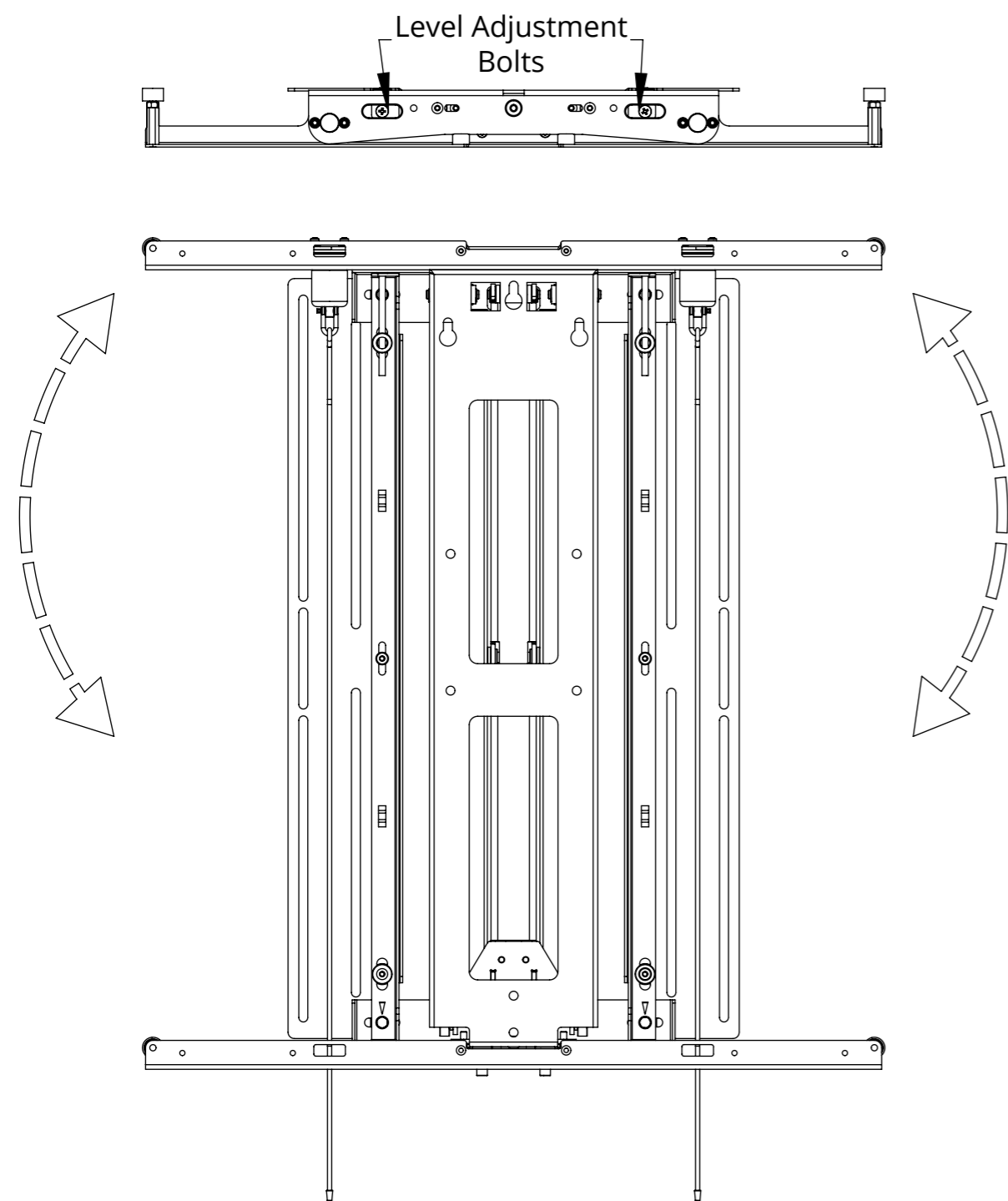


PS65-M

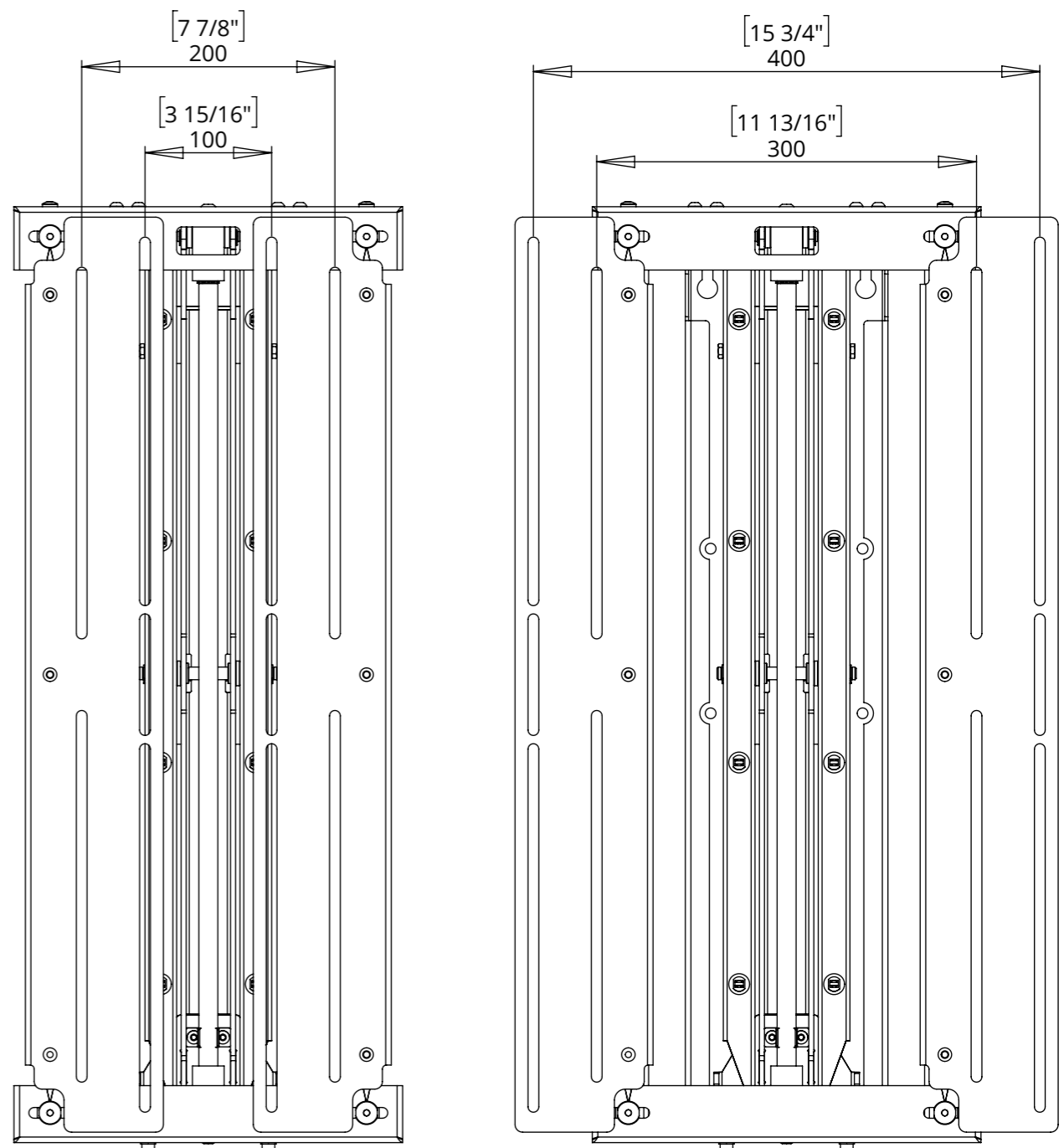
MARINE INDOOR PULL & SWIVEL MANUAL SERVICE BRACKET

SCREEN ADJUSTMENT

The angle of the screen can be fine tuned to horizontal by adjusting the 2 POZI bolts on top of the screen frame



The PS brackets uprights can be reversed to offer VESA 100, 200, 300 & 400 Width



PS65-M

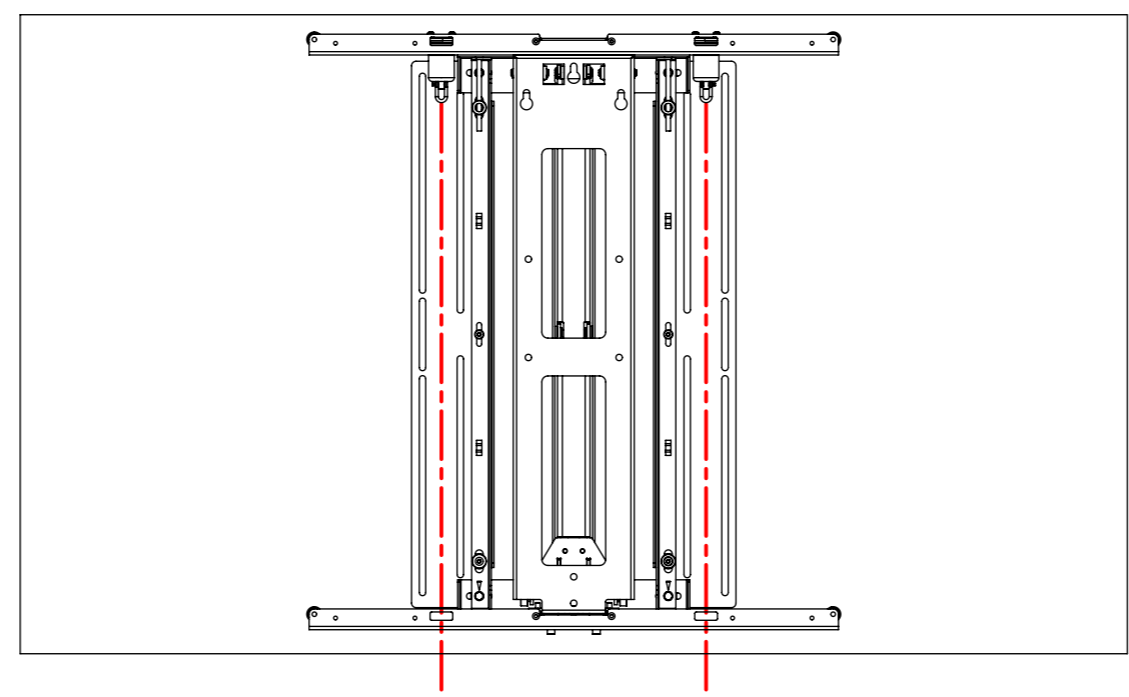
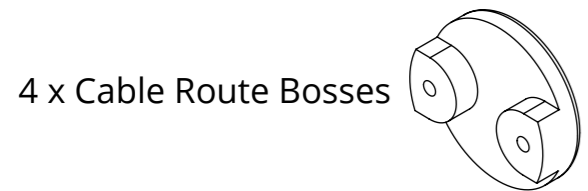
MARINE INDOOR PULL & SWIVEL MANUAL SERVICE BRACKET

MARINE CATCH CABLE ROUTING

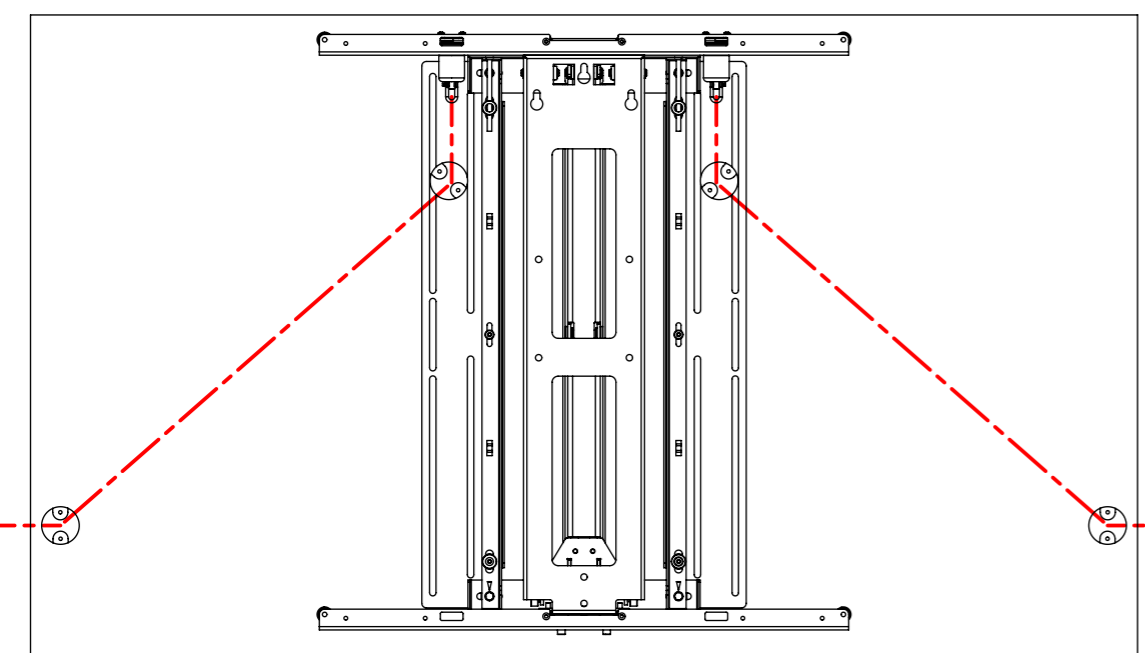
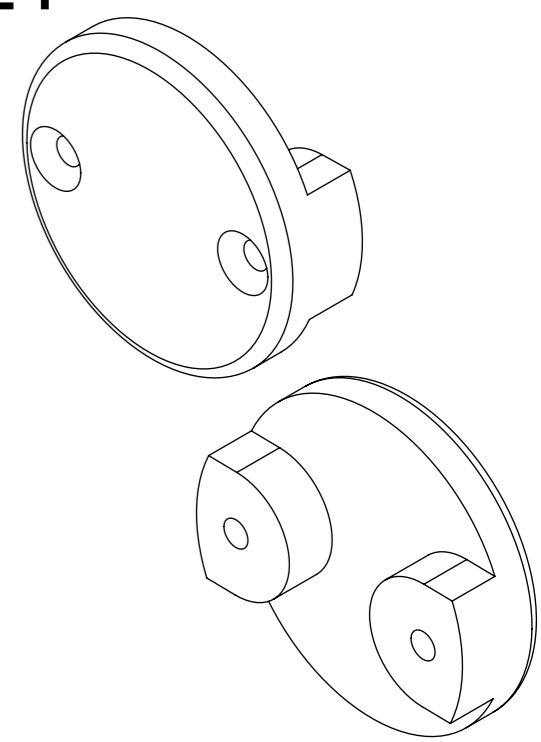
4 x Cable Routing Bosses are provided to route the 2 marine catch cords to the outer edges of the screen

Mount boss to be secured to the wall with countersunk fixings (**NOT PROVIDED**)

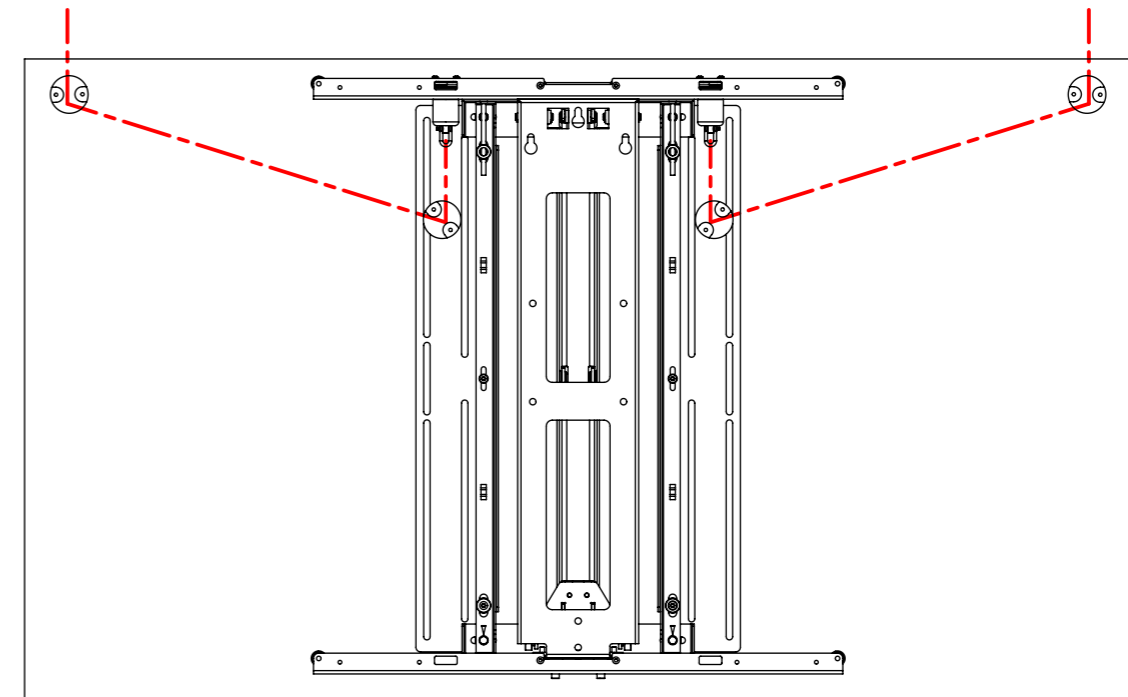
Additional Cable Route Bosses Can be purchased using order code **CRB-PS-M**



No Cable Routing Bosses used
Cables hang below the screen



Cable Routing Bosses used
Cables routed to the side of screen



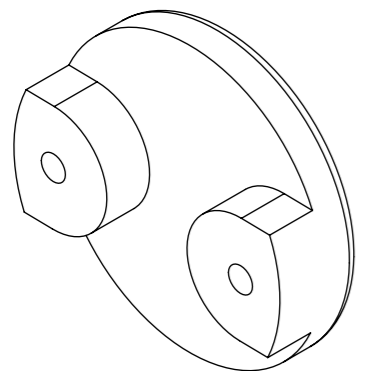
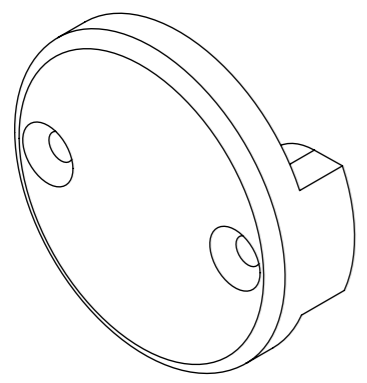
Cable Routing Bosses used
Cables routed to the top of screen
This orientation increases pulling power required to release marine catch

PS65-M

MARINE INDOOR PULL & SWIVEL MANUAL SERVICE BRACKET

ADDITIONAL ACCESSORIES

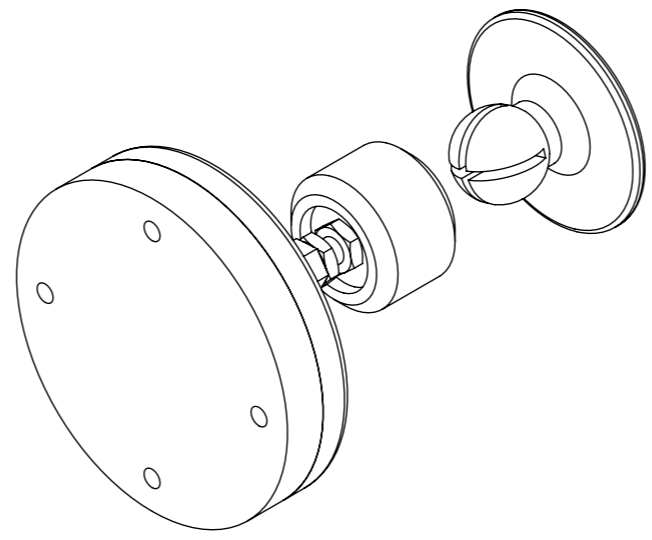
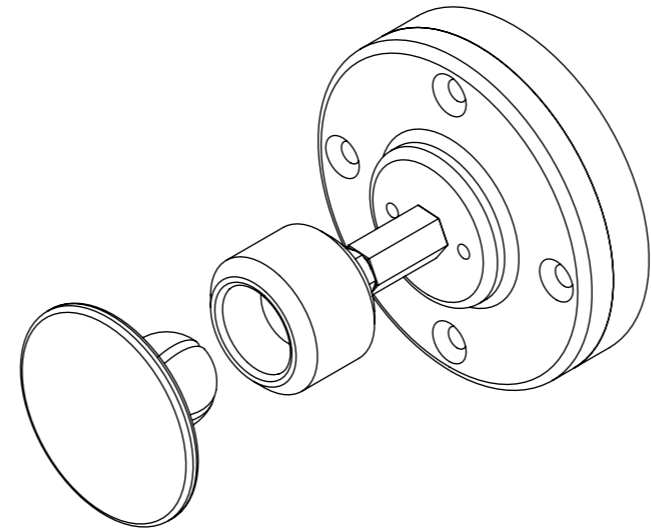
CABLE ROUTING BOSS KIT



4 x Cable Routing Bosses are **provided** as standard with the marine PS brackets.

Additional sets can be ordered with code **CRB-PS-M**

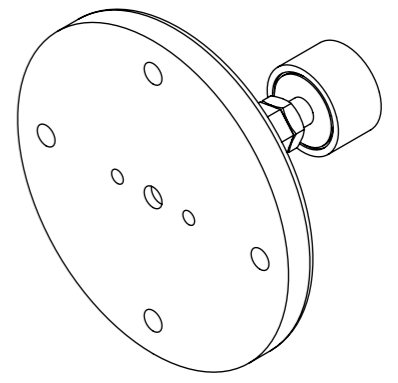
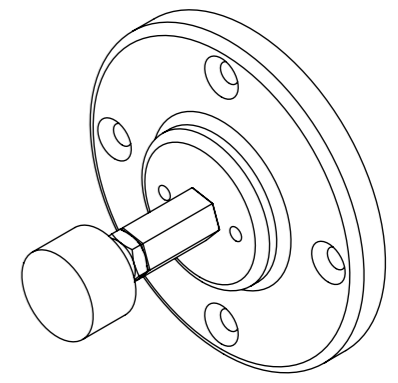
BALL & SOCKET KIT



Sets of 4 x Ball and Socket Catches to be used with the marine PS bracket to retain and stabilise the screen edges.

Full Details refer to **BS-PS-M** Technical Sheet

RUBBER POST KIT



Sets of 4 x Rubber screen Posts to be used with the marine PS bracket to apply pressure and stabilise the screen edges.

Full Details refer to **RP-PS-M** Technical Sheet