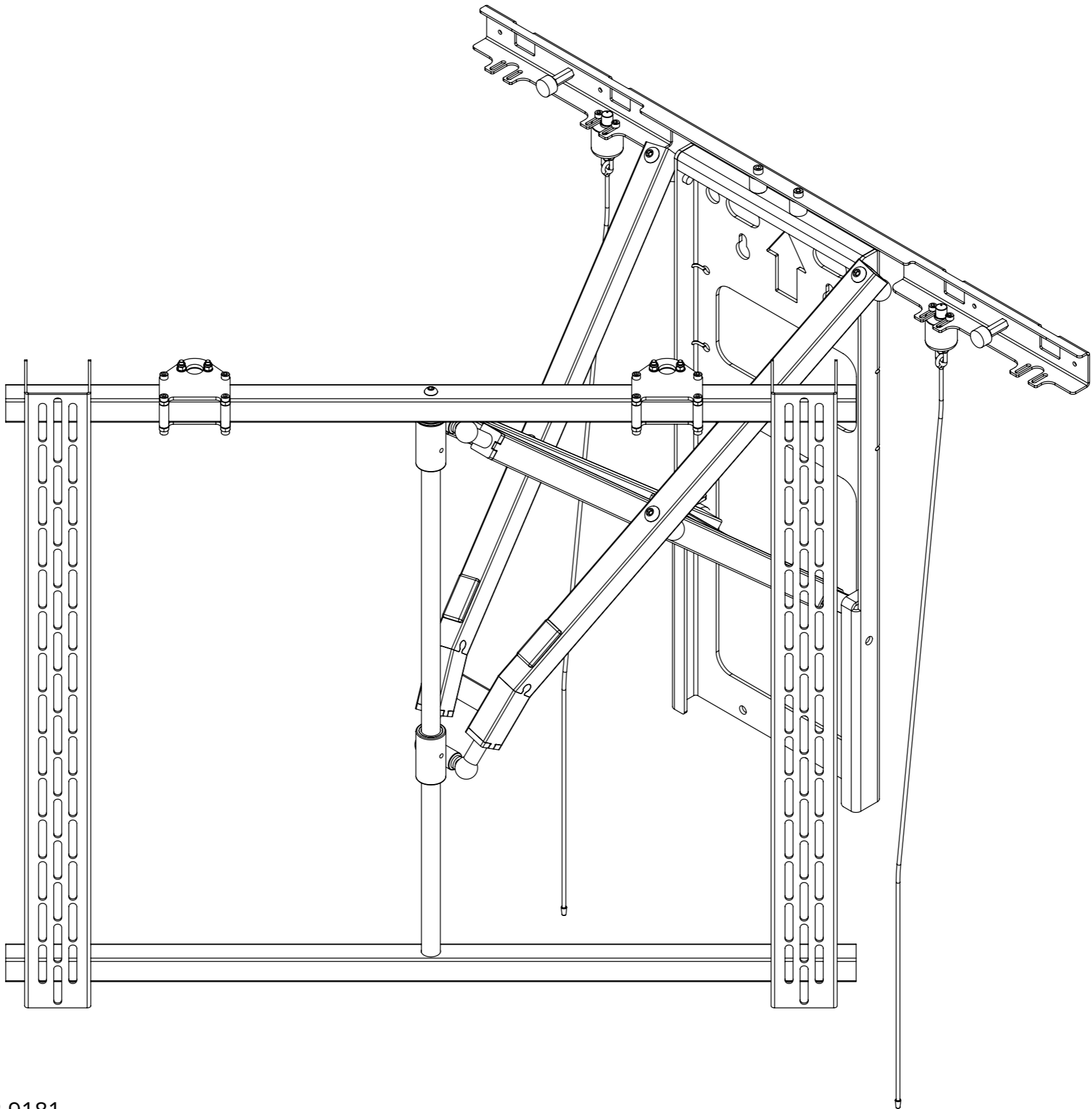


PS80-M

MARINE INDOOR PULL & SWIVEL MANUAL SERVICE BRACKET



PS80-M



future automation

MARINE INDOOR PULL & SWIVEL MANUAL SERVICE BRACKET

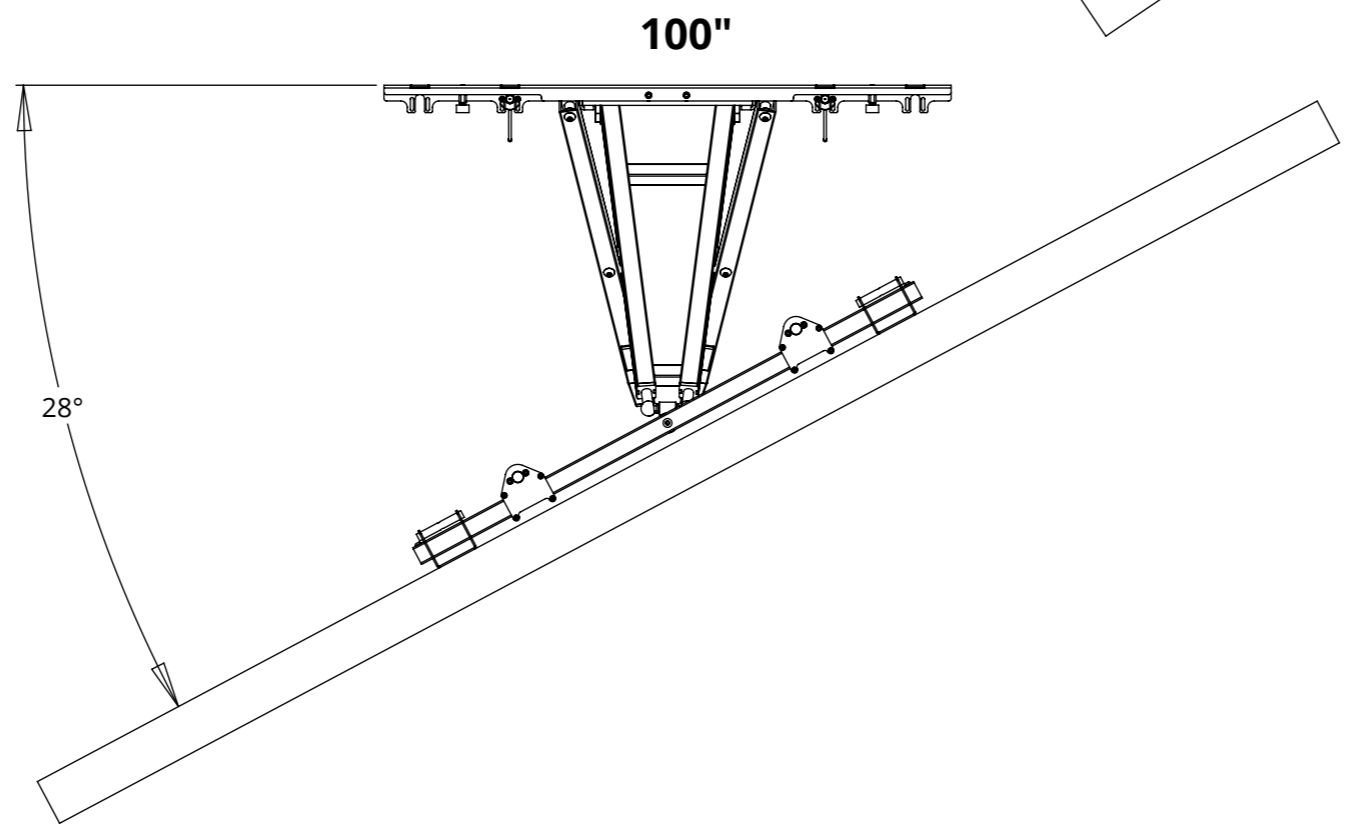
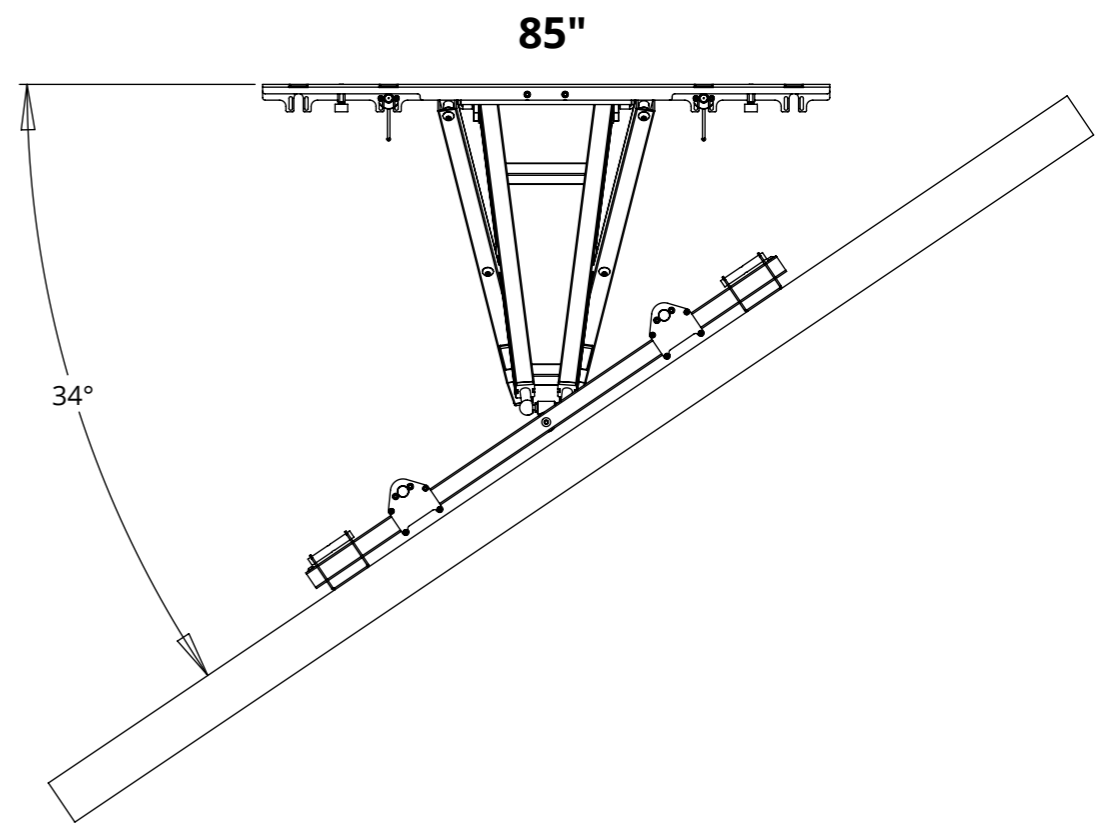
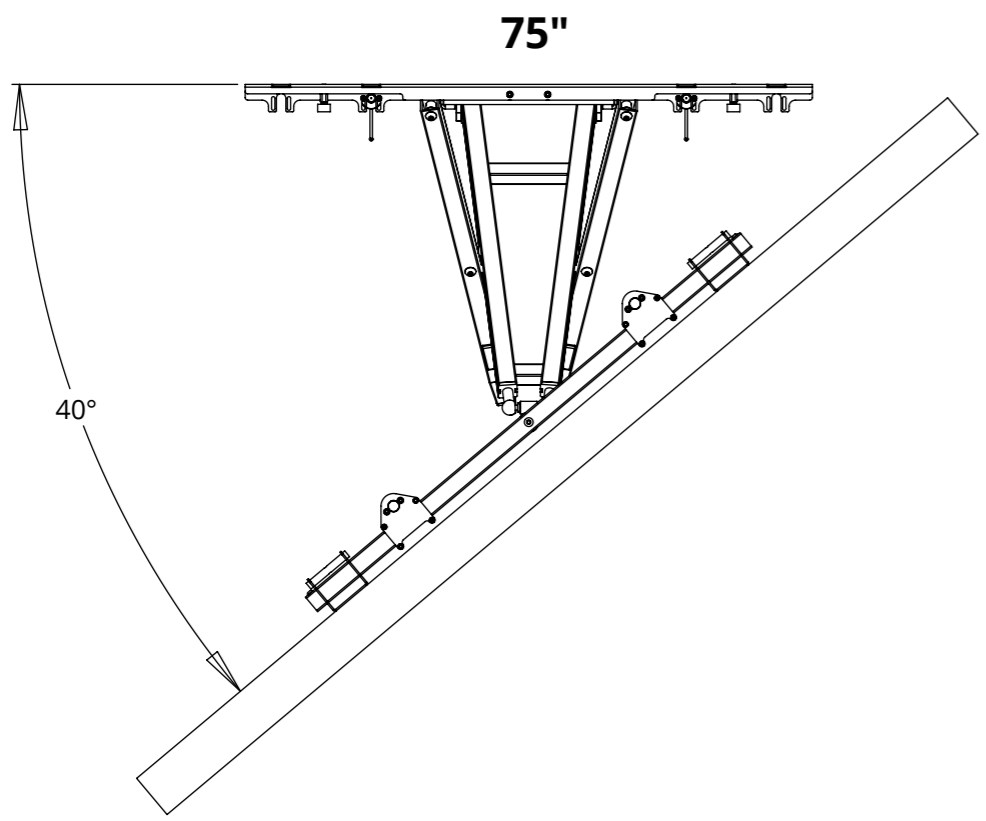
SPECIFICATION	MEASUREMENTS
Product Dimensions	795mm (31 5/16") x 900mm (35 7/16") x 91mm (3 9/16")
Screen Sizes	65" - 110"
Maximum Weight Capacity	120Kg (265 lb)
Maximum Extension From Wall	569mm (22 3/8")
Minimum Depth From Wall	91mm (3 9/16")
Product Weight	24 Kg (53 lb)
Packaging Dimensions	TBC
Shipping Weight	TBC
Maximum Rotation	40° - Bi-directional with 75" screen - 34° with 85" - 28° with 100"
Movement Type	Manual
Mounting Patterns Supported	VESA 800, 700, 600, 500, 400, 300, 200 W x 700, 600, 500, 400, 300, 200 H
Product Options / Features	Specific B&O and Loewe mounts / adapters, Custom RAL paint finishes, Marine suitable version
Package Contents	Mechanism
Marine Suitable	Yes (Indoor)

PS80-M

MARINE INDOOR PULL & SWIVEL MANUAL SERVICE BRACKET

SCREEN ANGLES

The views below show the approximate maximum swivel angles achievable for varying screen sizes.



PS80-M

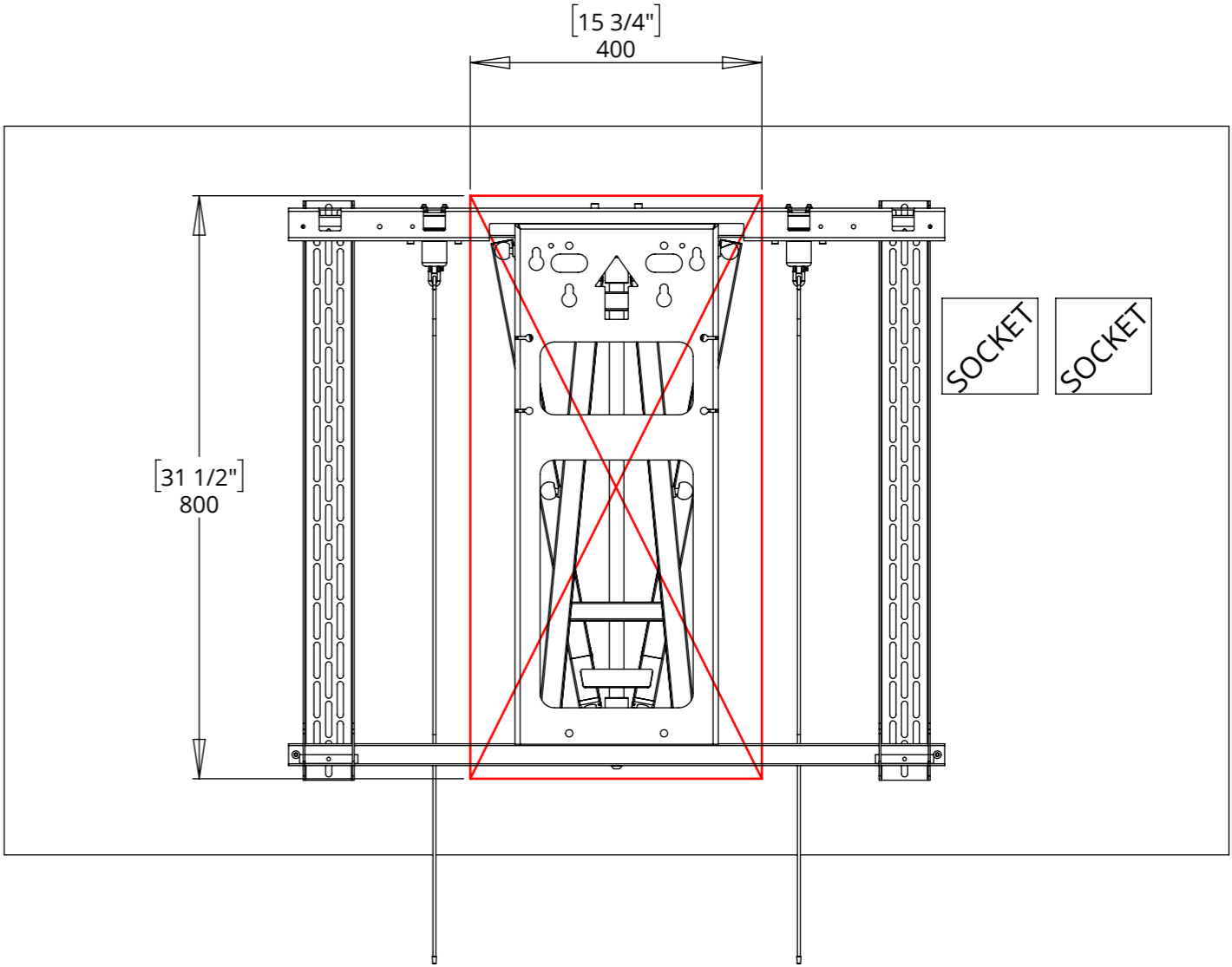
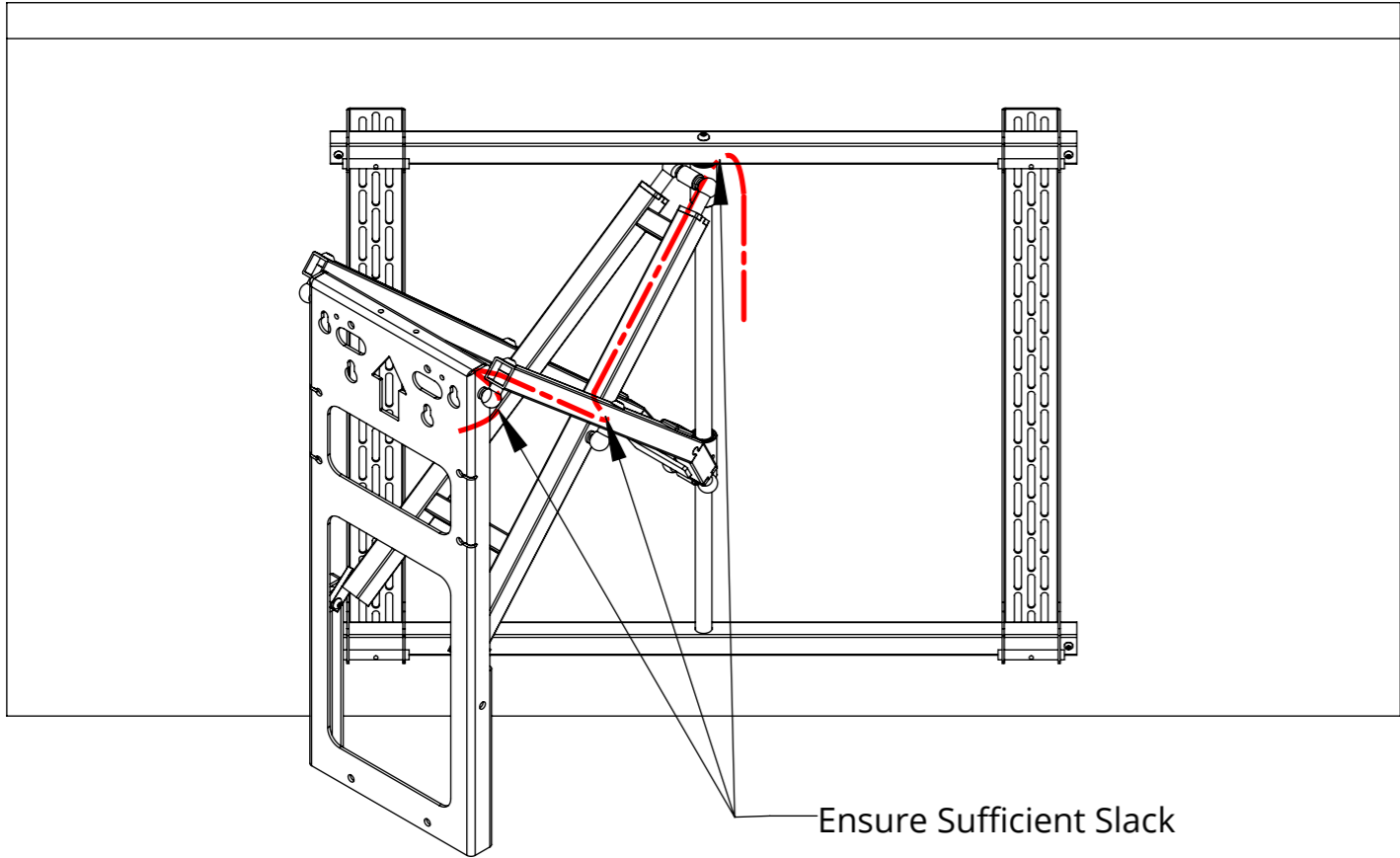
MARINE INDOOR PULL & SWIVEL MANUAL SERVICE BRACKET

CABLE ROUTING AND SOCKET LOCATION

All cables should enter the bracket at the top of the Wall Plate, run down each of the outer Scissor Arms and attach to the rear of the Screen Frame. Use supplied cable ties to secure all cables to the Scissor Arms and Screen Mount.

Ensure sufficient slack is left and ensure cables do not restrict movement
Marine locking system hidden for clarity.

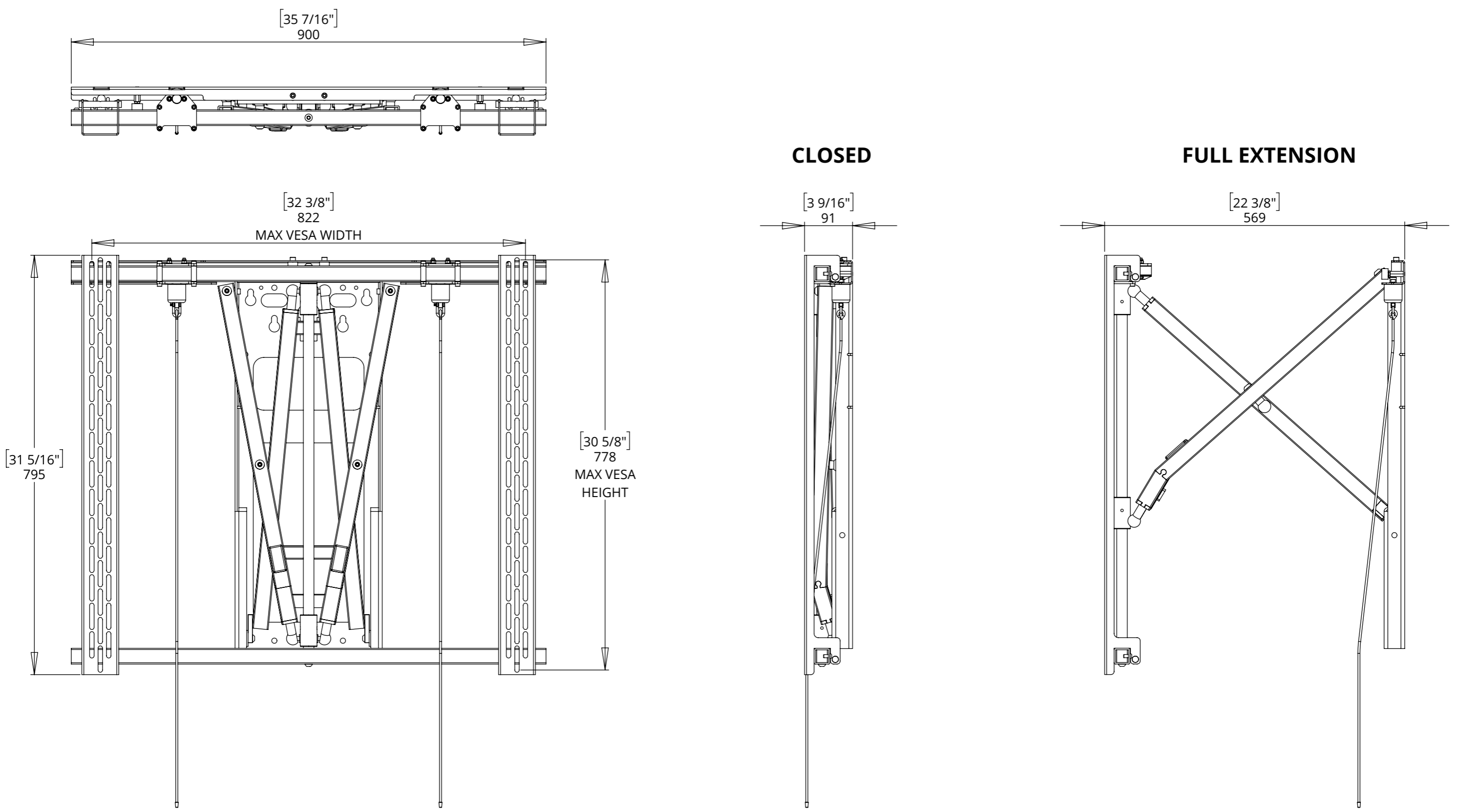
Wall sockets should be ideally placed as shown outside of the bracket footprint to maximise space for cable routing



PS80-M

MARINE INDOOR PULL & SWIVEL MANUAL SERVICE BRACKET

GENERAL DIMENSIONS



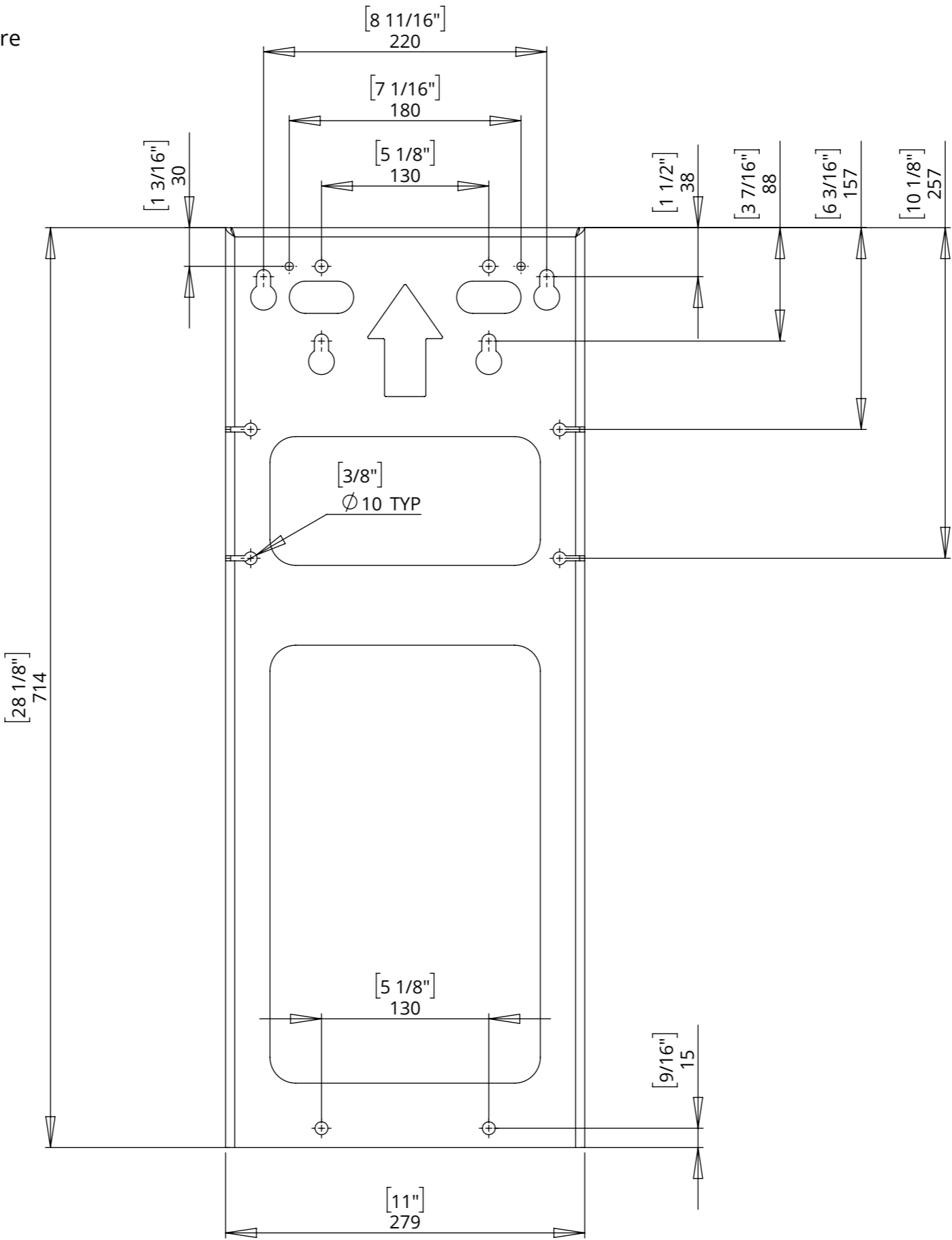
PS80-M



MARINE INDOOR PULL & SWIVEL MANUAL SERVICE BRACKET

MOUNTING DIMENSIONS

Make sure the wall that the bracket is being mounted to is secure and strong enough to support the bracket and screen.



PS80-M

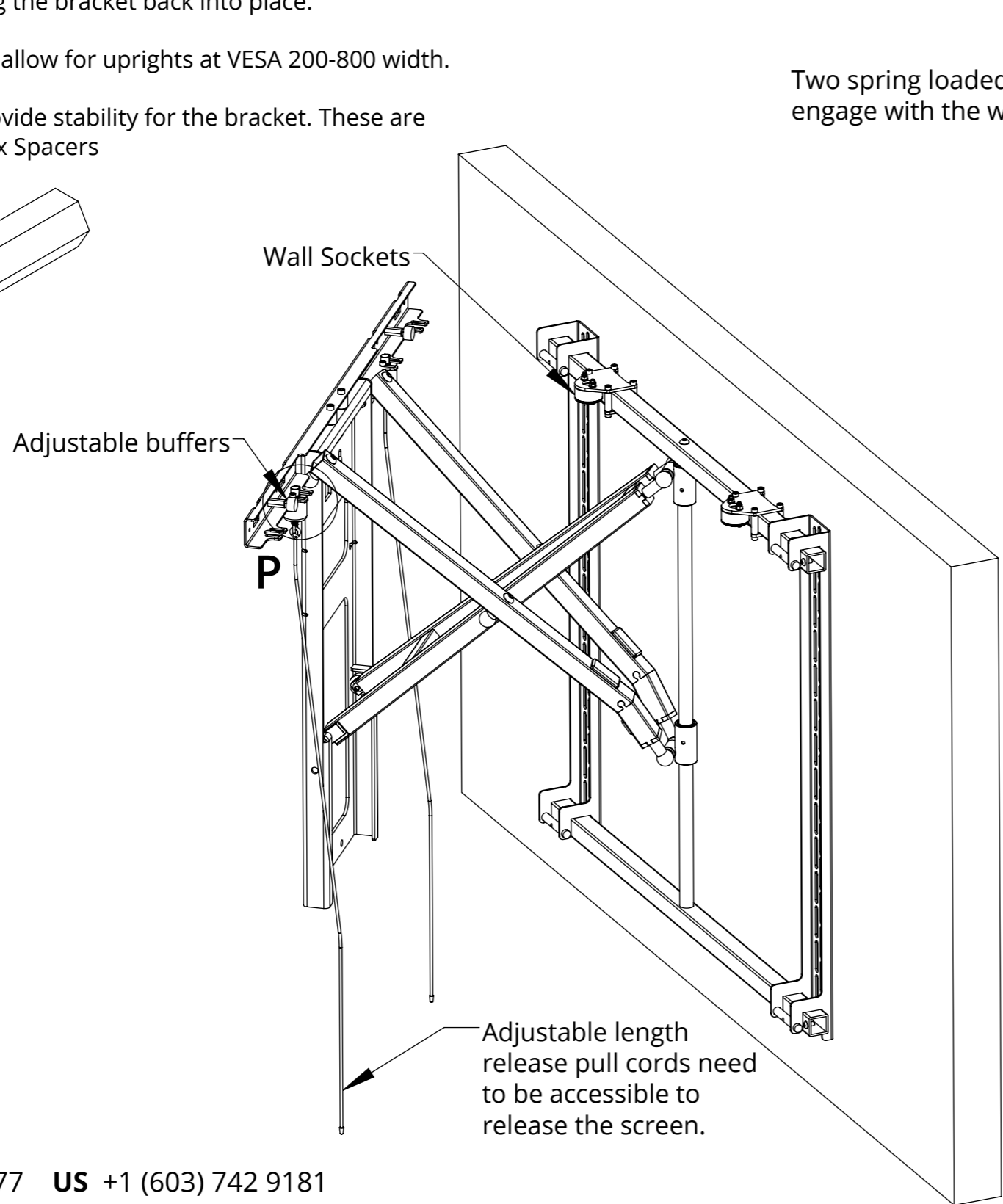
MARINE INDOOR PULL & SWIVEL MANUAL SERVICE BRACKET

MARINE LOCK

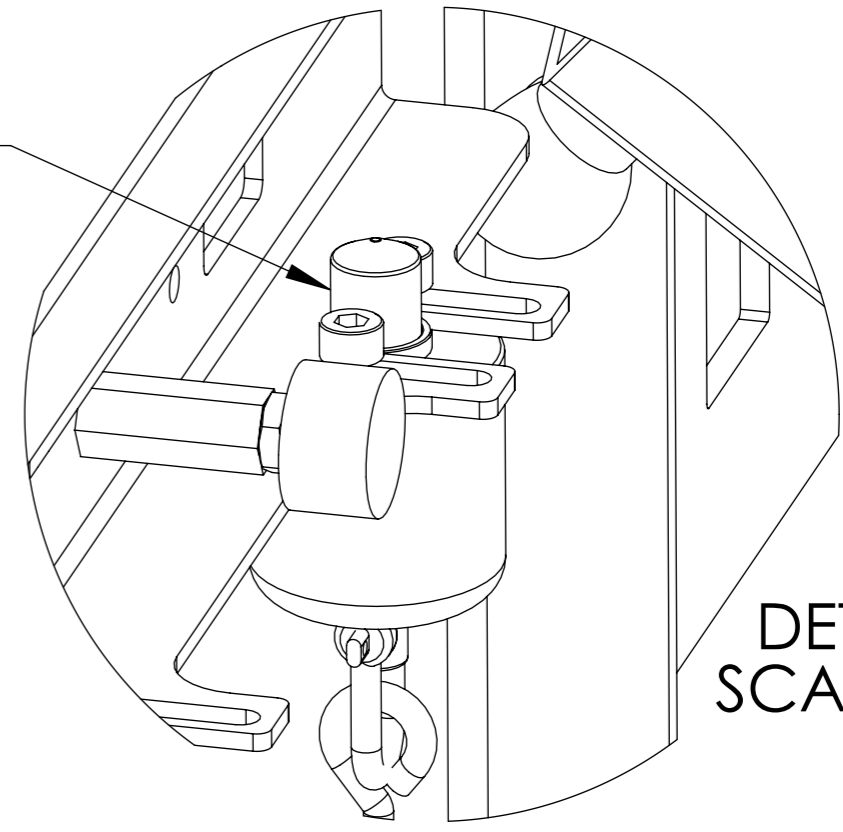
Intended to enable easy servicing by pulling on two cords to release the spring loaded catches at the top of the bracket. The cords would be attached at the bottom back edge of the screen before pushing the bracket back into place.

Two wall socket locations allow for uprights at VESA 200-800 width.

2 x Adjustable buffers provide stability for the bracket. These are mounted on provided Hex Spacers



Two spring loaded catches engage with the wall sockets.



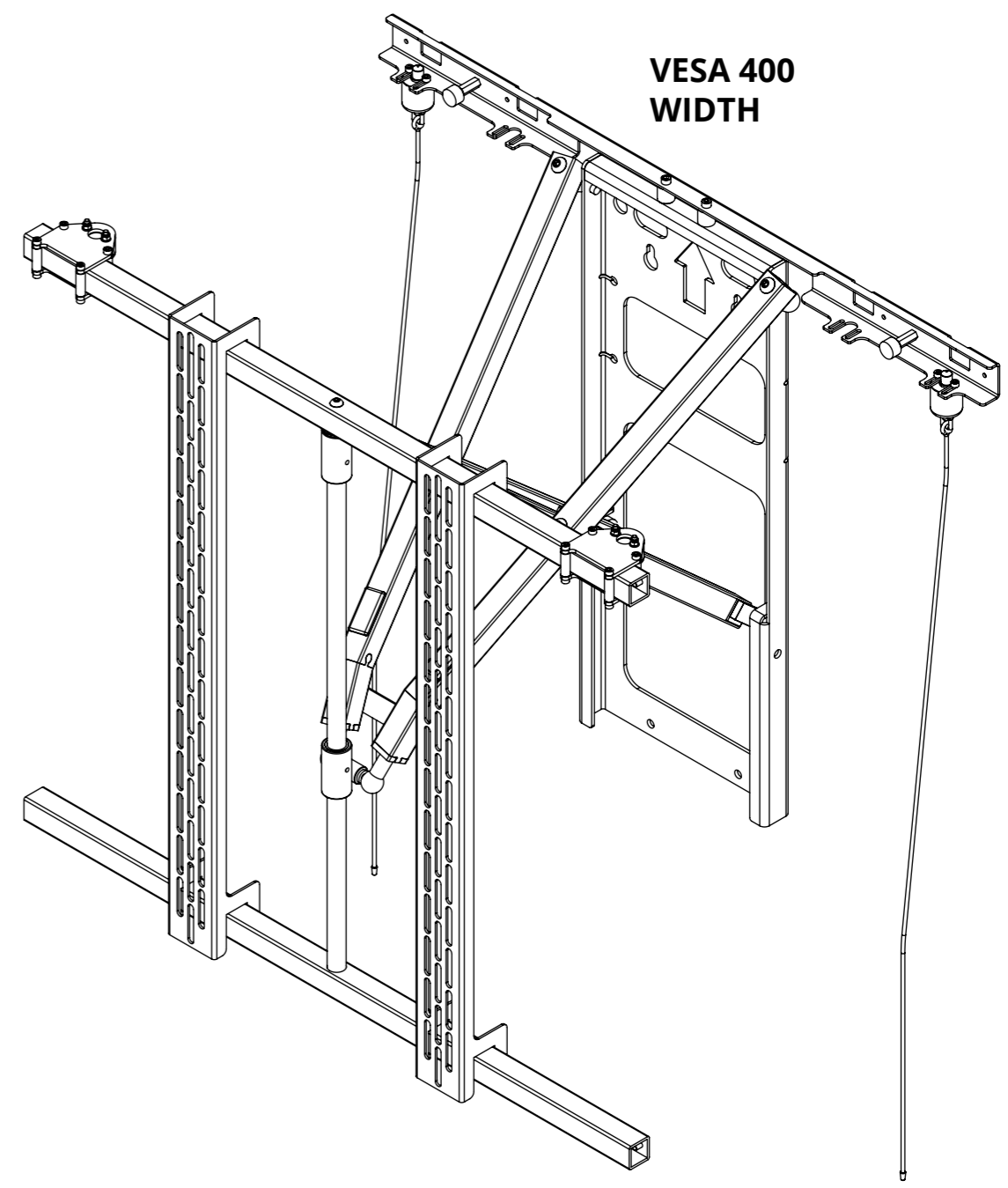
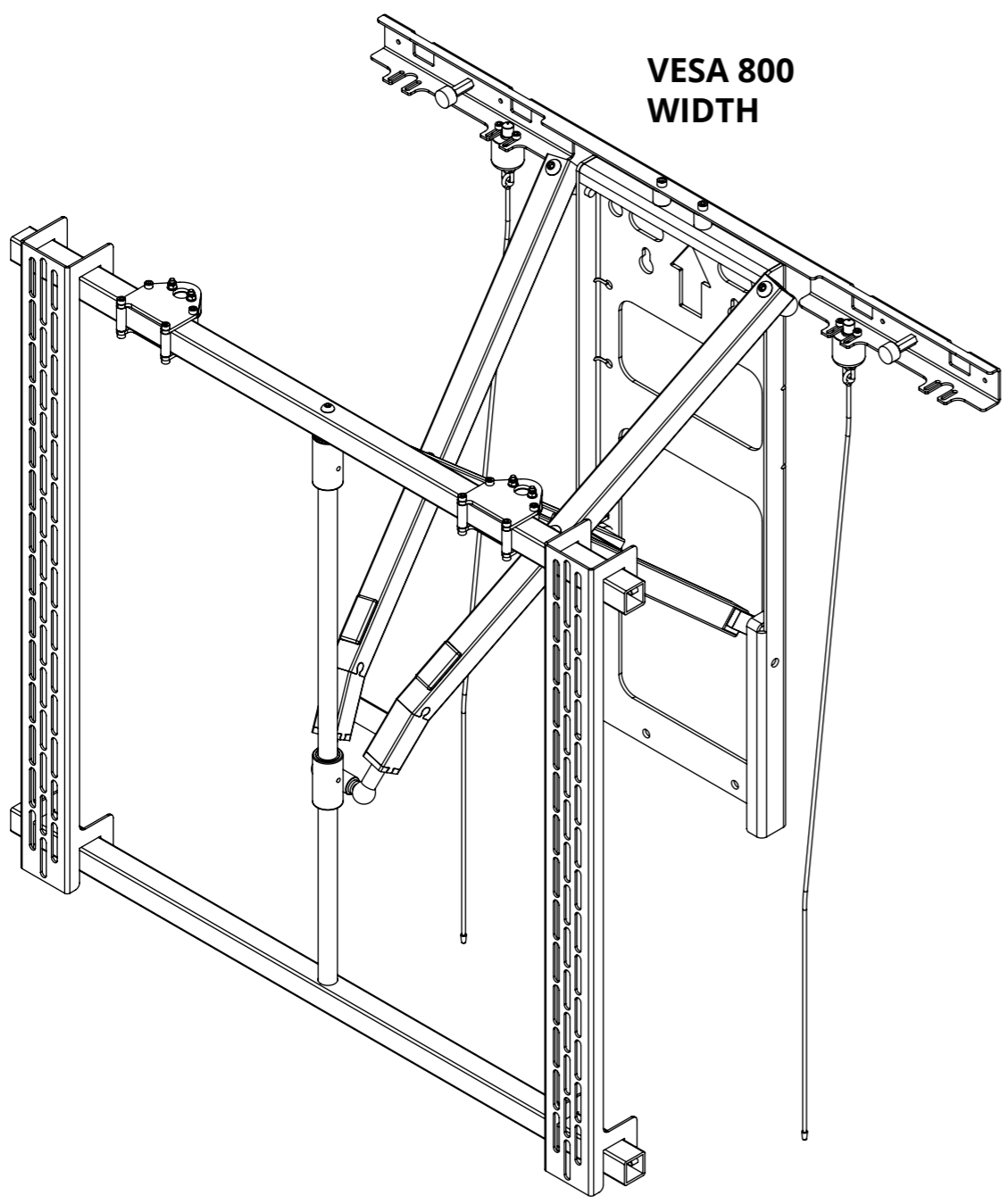
DETAIL P
SCALE 1 : 1

PS80-M

MARINE INDOOR PULL & SWIVEL MANUAL SERVICE BRACKET

SCREEN MOUNTING

The marine lock can be located in an inner or outer position to allow the uprights to be located at any desired bolt width pattern up to maximum width 822mm [32.36"]. The inner and outer positions are shown below in VESA 400 and 800 widths.



PS80-M

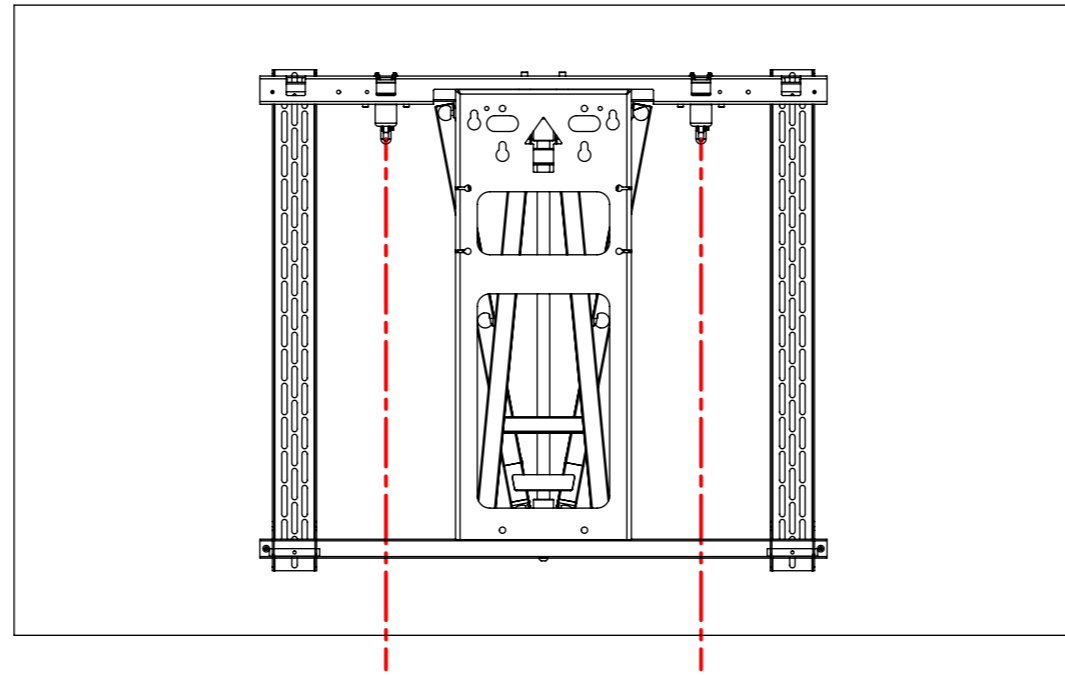
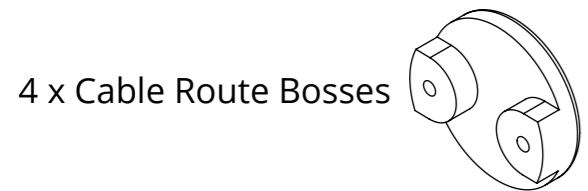
MARINE INDOOR PULL & SWIVEL MANUAL SERVICE BRACKET

MARINE CATCH CABLE ROUTING

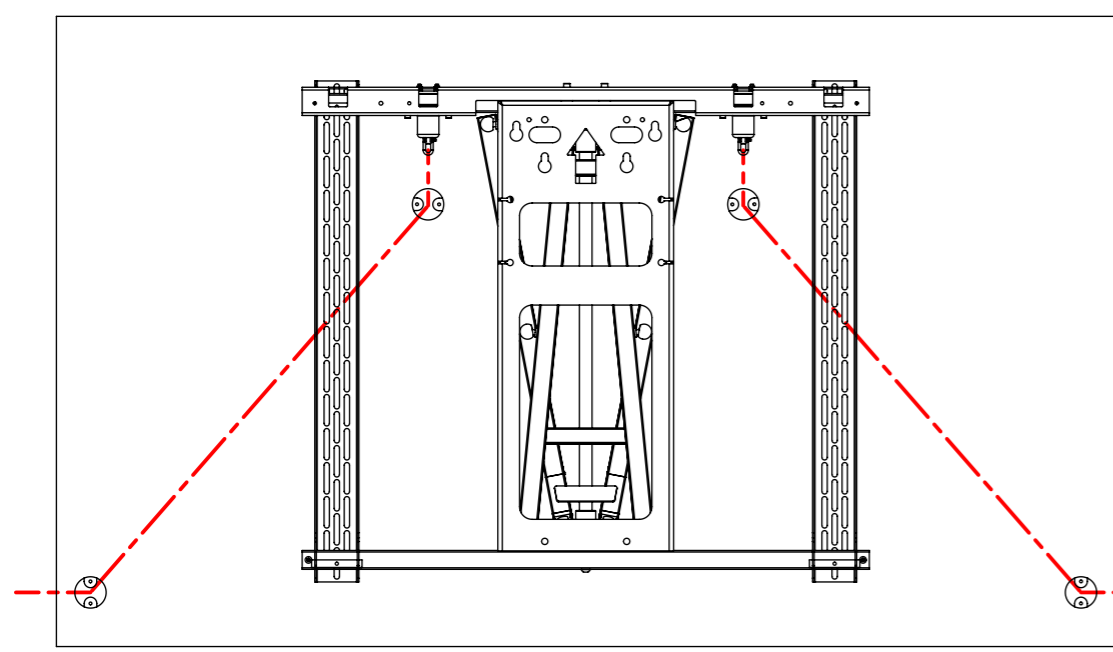
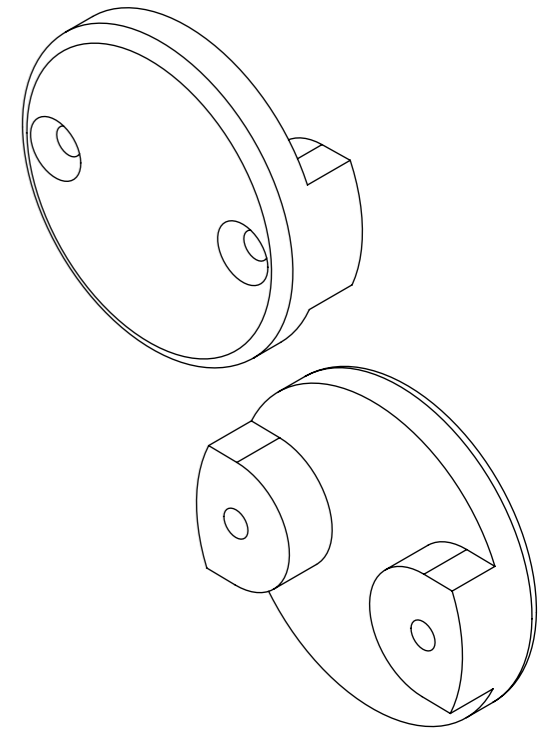
4 x Cable Routing Bosses are provided to route the 2 marine catch cords to the outer edges of the screen

Mount boss to be secured to the wall with countersunk fixings (**NOT PROVIDED**)

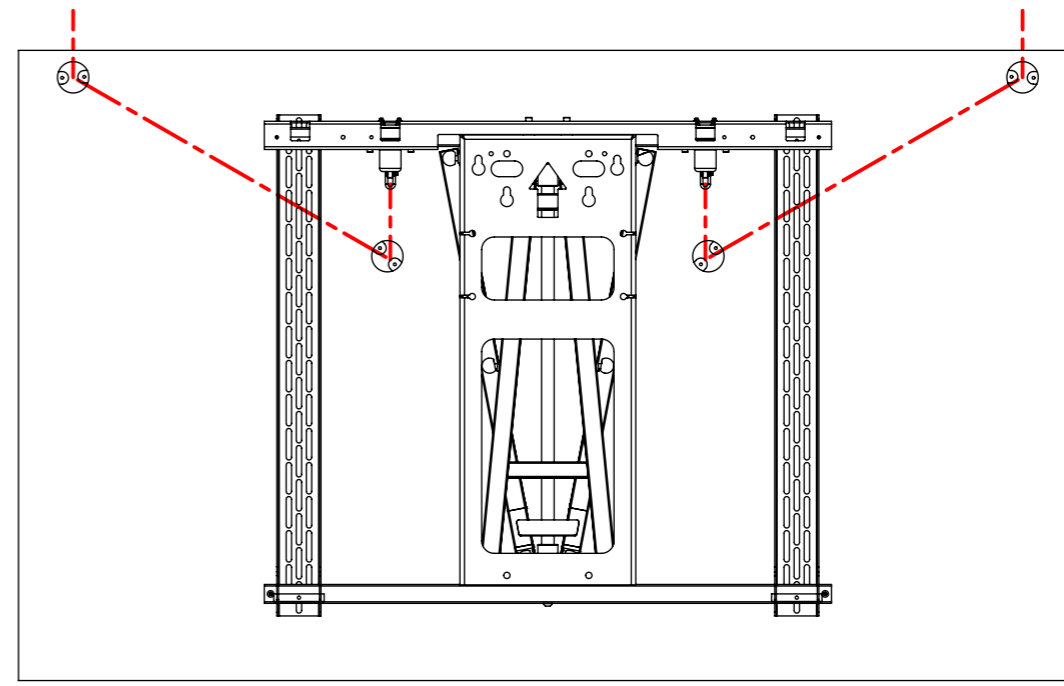
Additional Cable Route Bosses Can be purchased using order code **CRB-PS-M**



No Cable Routing Bosses used
Cables hang below the screen



Cable Routing Bosses used
Cables routed to the side of screen



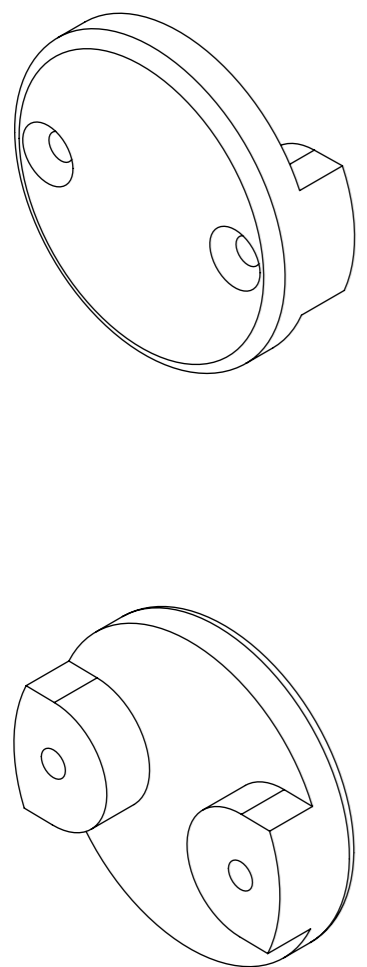
Cable Routing Bosses used
Cables routed to the top of screen
This orientation increases pulling power required to release marine catch

PS80-M

MARINE INDOOR PULL & SWIVEL MANUAL SERVICE BRACKET

ADDITIONAL ACCESSORIES

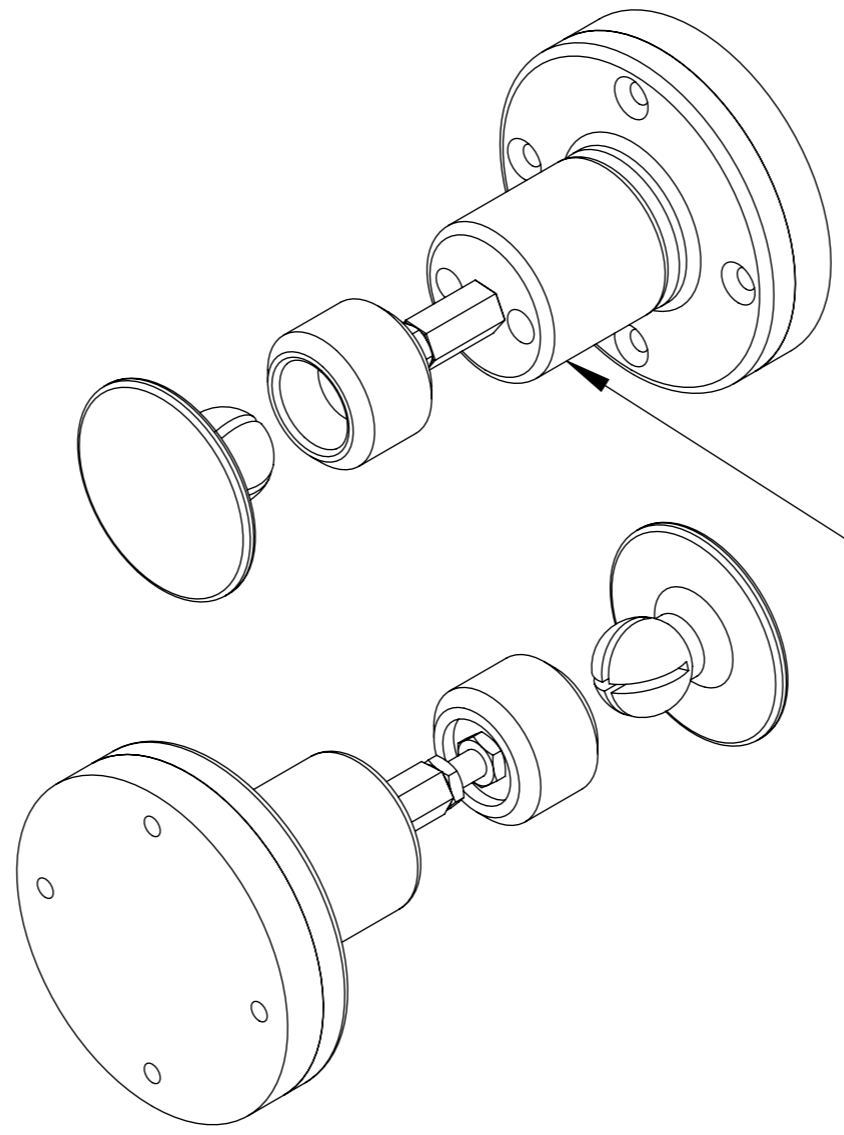
CABLE ROUTING BOSS KIT



4 x Cable Routing Bosses are **provided** as standard with the marine PS brackets.

Additional sets can be ordered with code **CRB-PS-M**

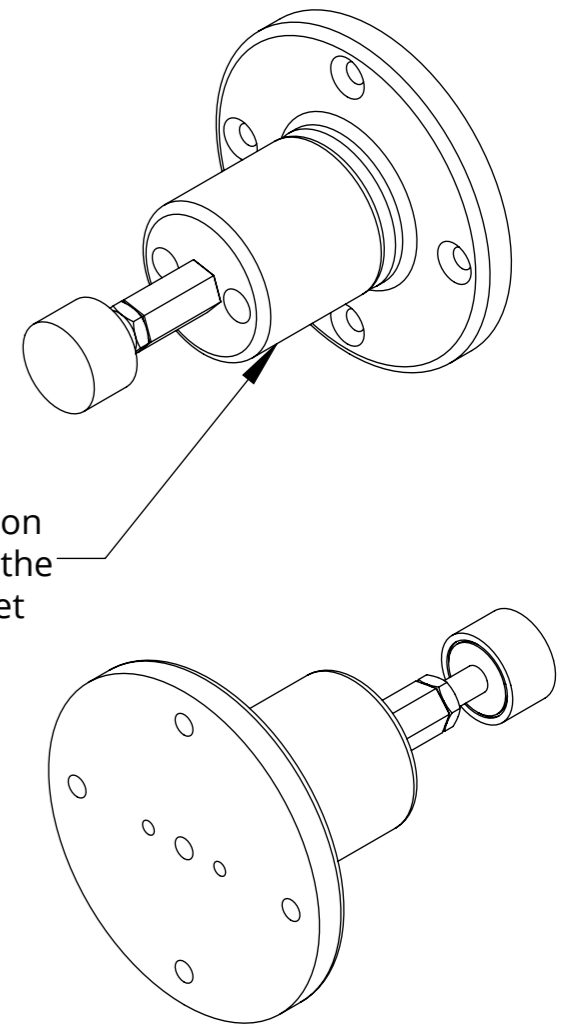
BALL & SOCKET KIT



Sets of 4 x Ball and Socket Catches to be used with the marine PS bracket to retain and stabilise the screen edges.

Full Details refer to **BS-PS-M** Technical Sheet

RUBBER POST KIT



Sets of 4 x Rubber screen Posts to be used with the marine PS bracket to apply pressure and stabilise the screen edges.

Full Details refer to **RP-PS-M** Technical Sheet