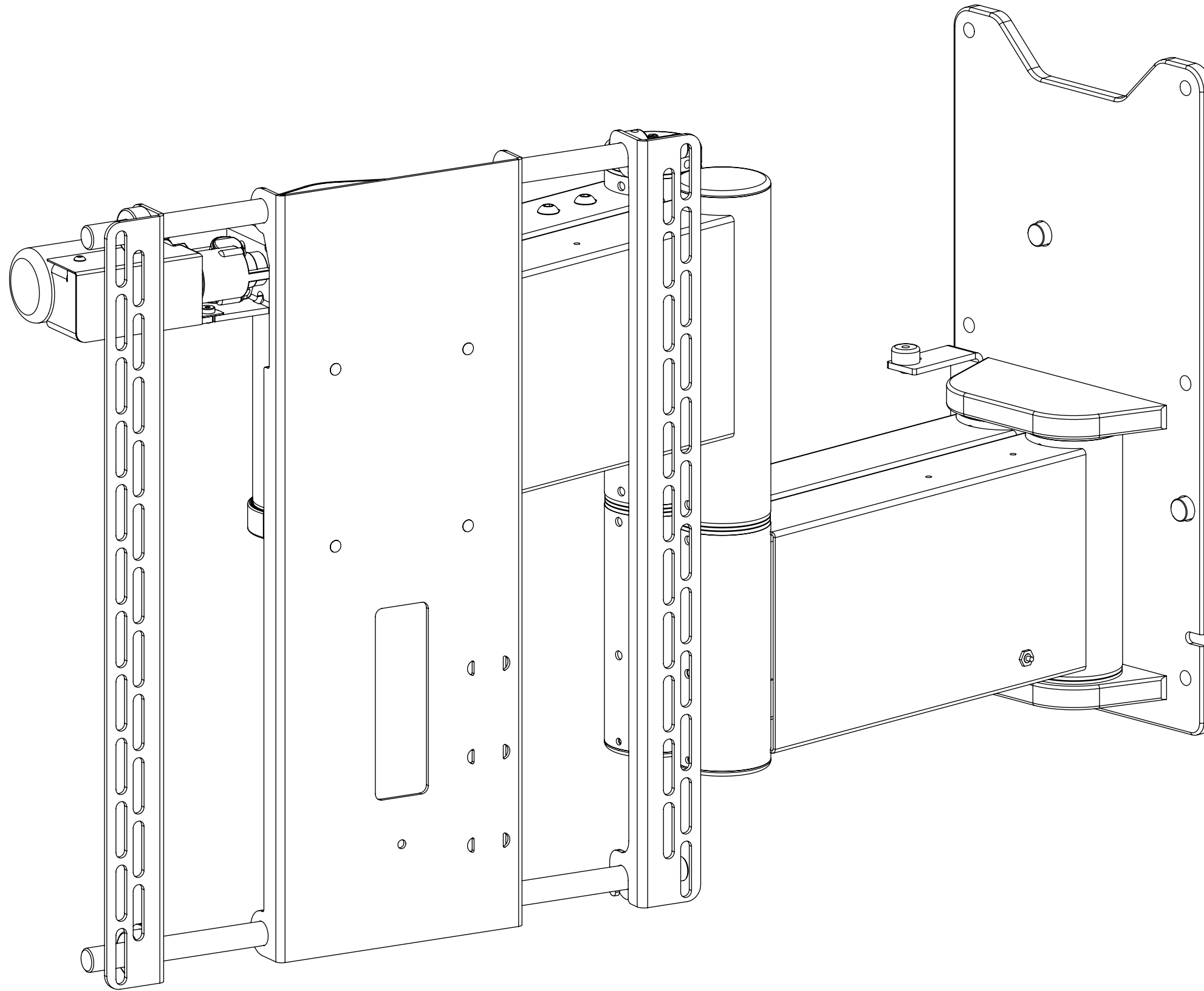


QA2 Quad Arm



future automation



QA2 Quad Arm



future automation

SPECIFICATION	MEASUREMENTS
Product Dimensions	777mm (30.6") x 503mm (19.8") x 130mm (5.1")
Maximum Weight Capacity	45Kg (99lb)
Maximum Speed	30mm/s
Maximum Extension From Wall	750mm (29.5")
Depth From Wall	130mm (5.12")
Product Weight	20Kg (44lb)
Packaging Dimensions	930mm (36.6") x 620mm (24.4") x 300mm (11.8")
Shipping Weight	42Kg (93lb)
Maximum Rotation	75° - Both Ways (screen Width Dependent)
Movement Type	Motorised
Power Supply Required	110V - 240V AC
Power Consumption Max.	120W
Power Consumption Standby	3W
Mounting Patterns Supported	VESA 400, 300, 200 W x 400, 300, 200 H
Control Options	IR Remote, RS232, Contact Closure
Product Options / Features	Specific B&O and Loewe mounts / adapters, Custom RAL paint finishes, Marine suitable version
Package Contents	Mechanism, IR remote control
Marine Suitable	No

QA2 Quad Arm



future automation

Design Highlights

Sophisticated electronics allow for a favourite viewing position to be programmed via the IR remote control.

The mechanism allows up to 750mm extension of screen centre from wall.

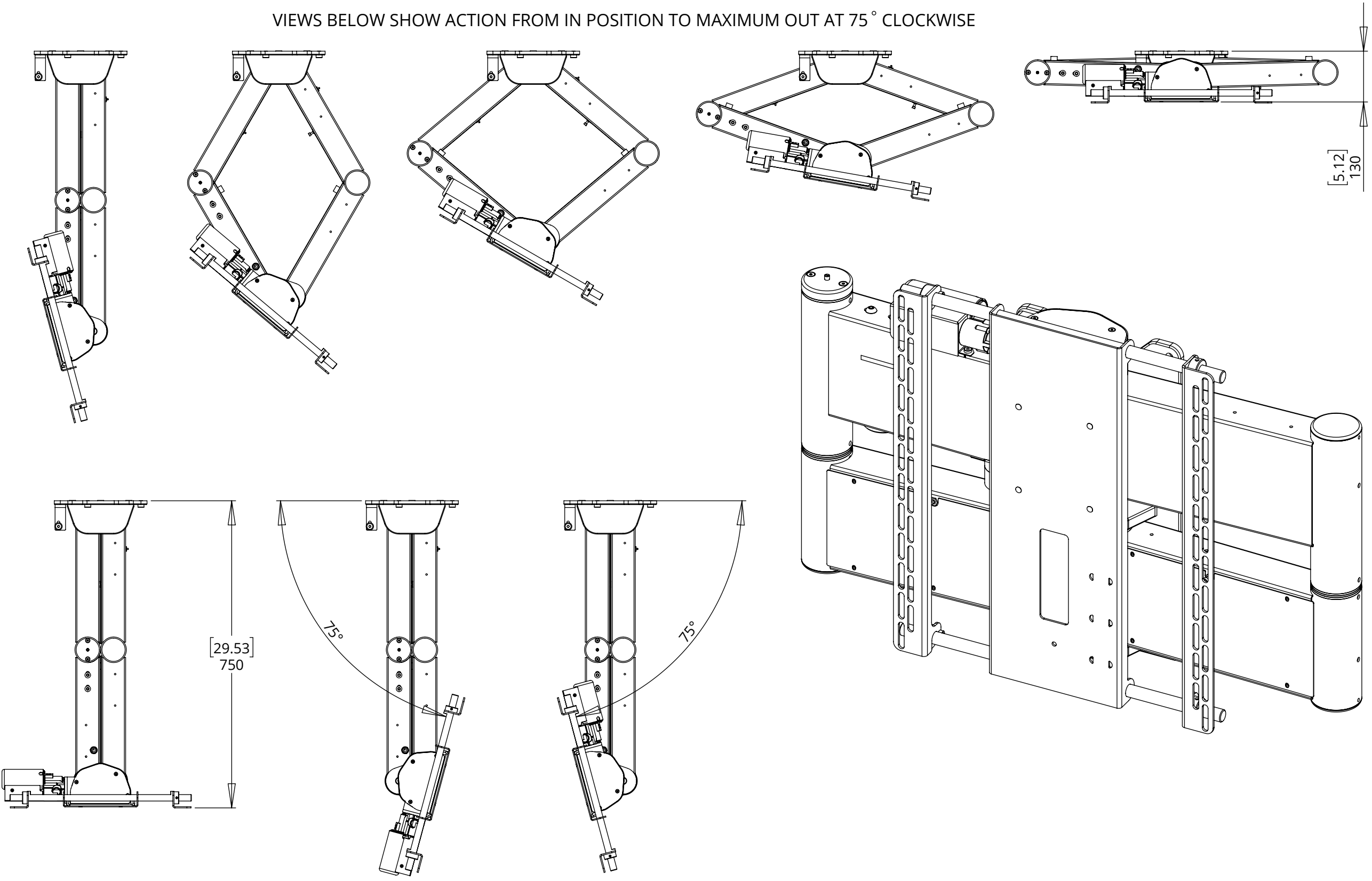
The bracket can move parallel to the wall to initially take the screen out of a tight recess. The screen will then turn to the appropriate side.

Hook on removable uprights allow the bracket to take a wide variety of screens.

The arms on the right-hand side of the bracket are reserved to conceal all power and signal cables.

Available with Marine Lock to safely lock bracket against wall when not in viewing position.

VIEWS BELOW SHOW ACTION FROM IN POSITION TO MAXIMUM OUT AT 75° CLOCKWISE

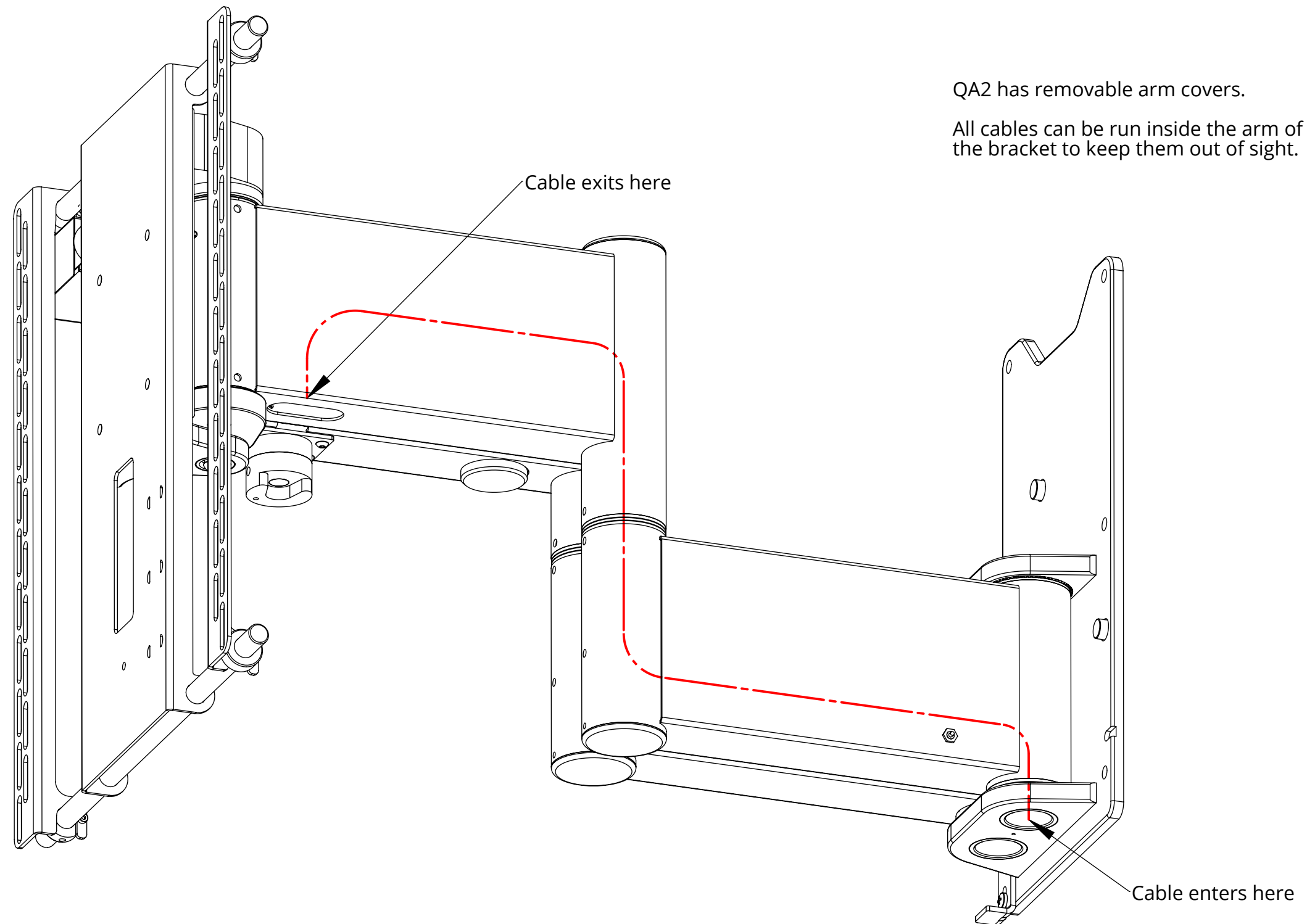


QA2 Quad Arm



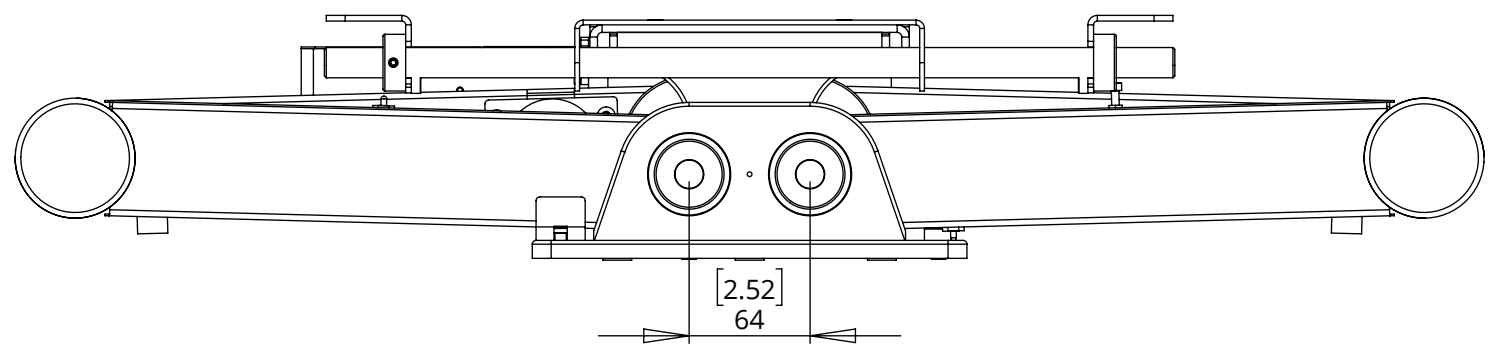
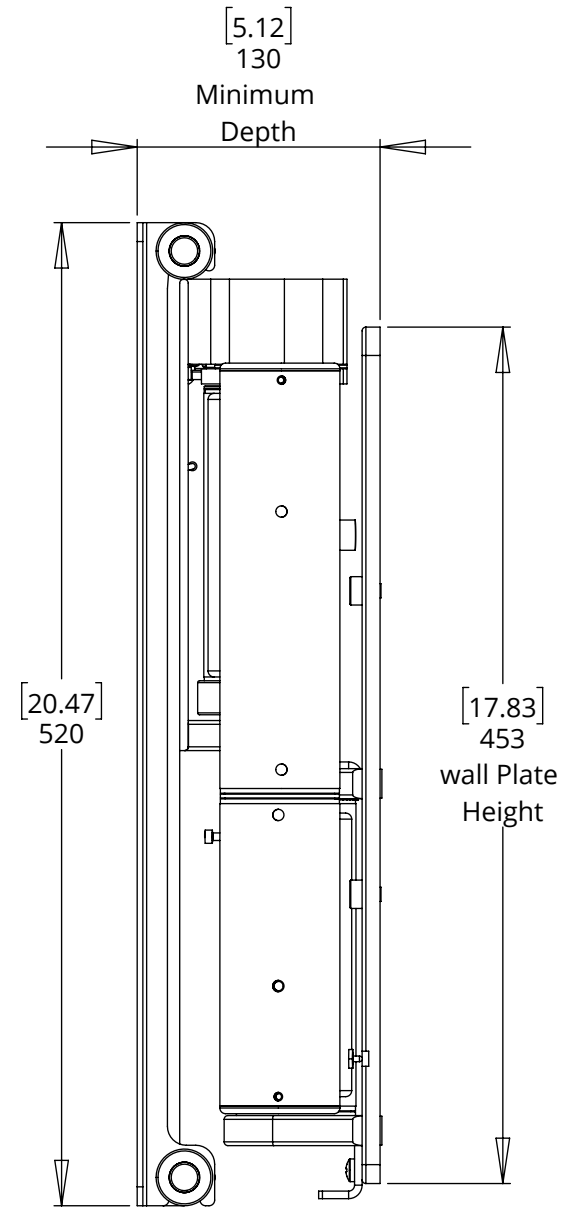
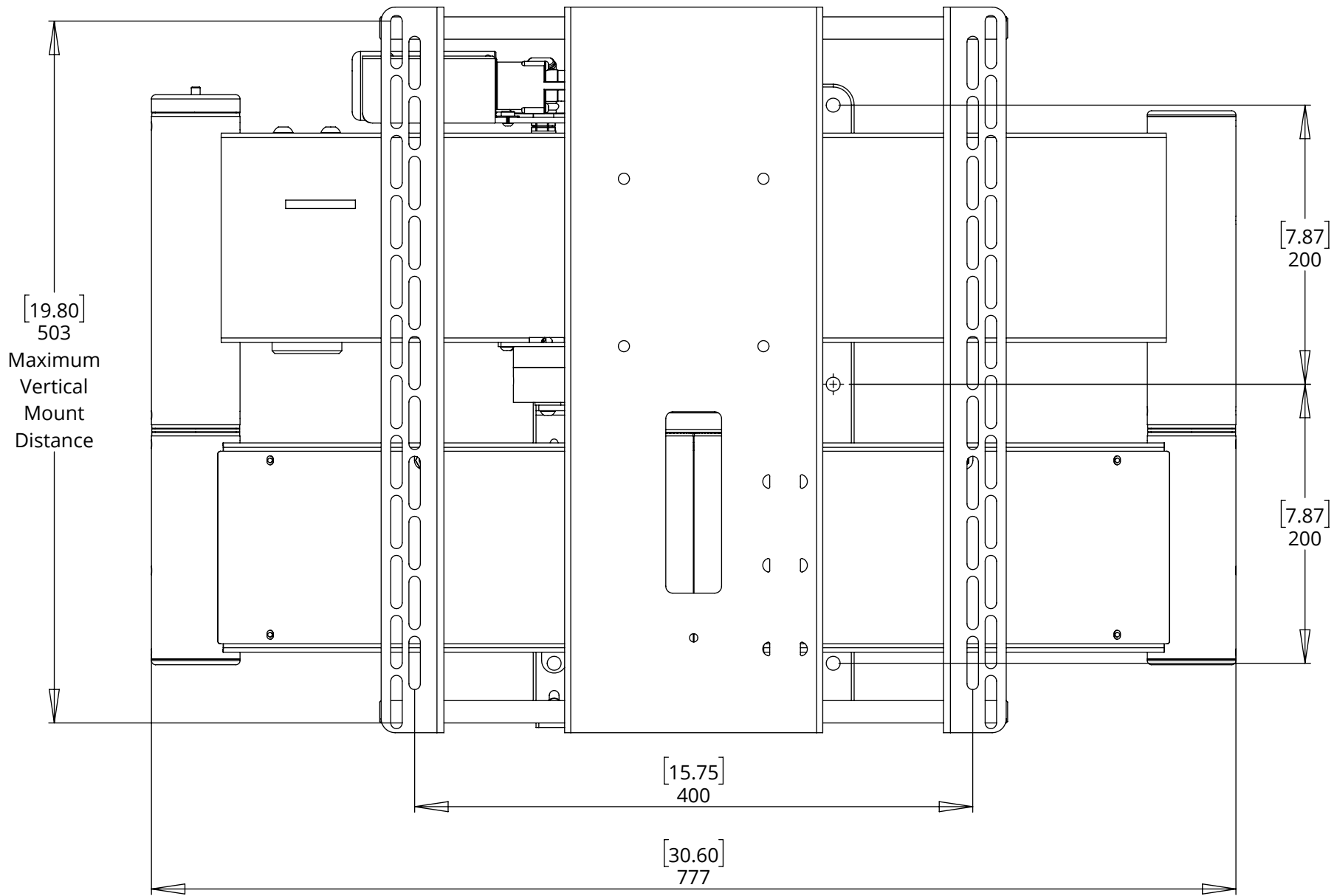
future automation

Concealed Cable Options



QA2 Quad Arm

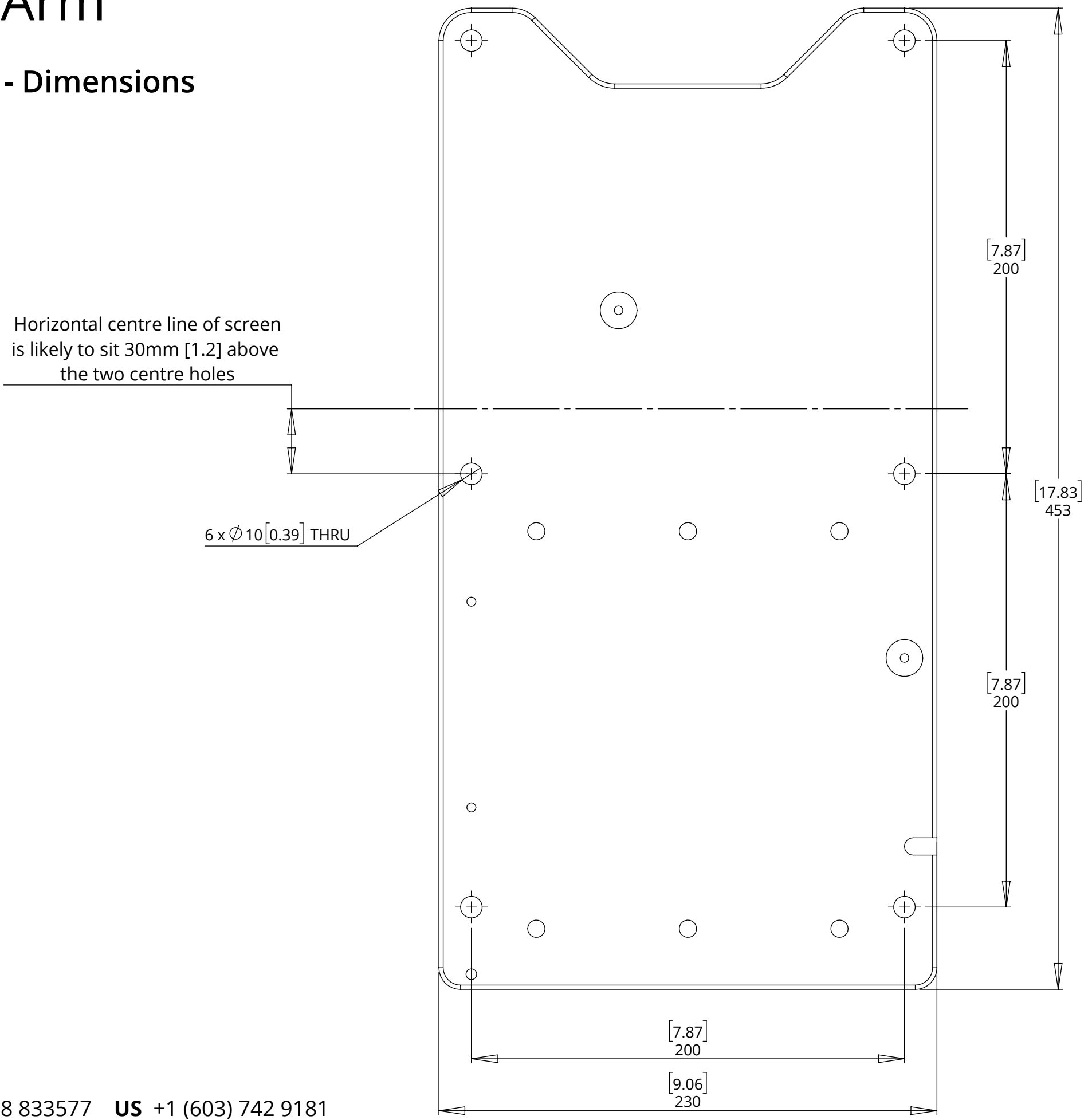
General Dimensions



QA2 Quad Arm

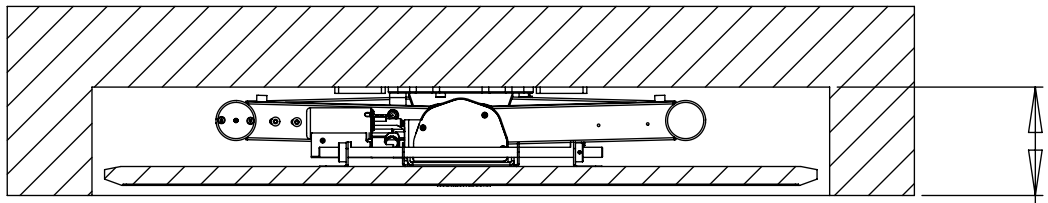
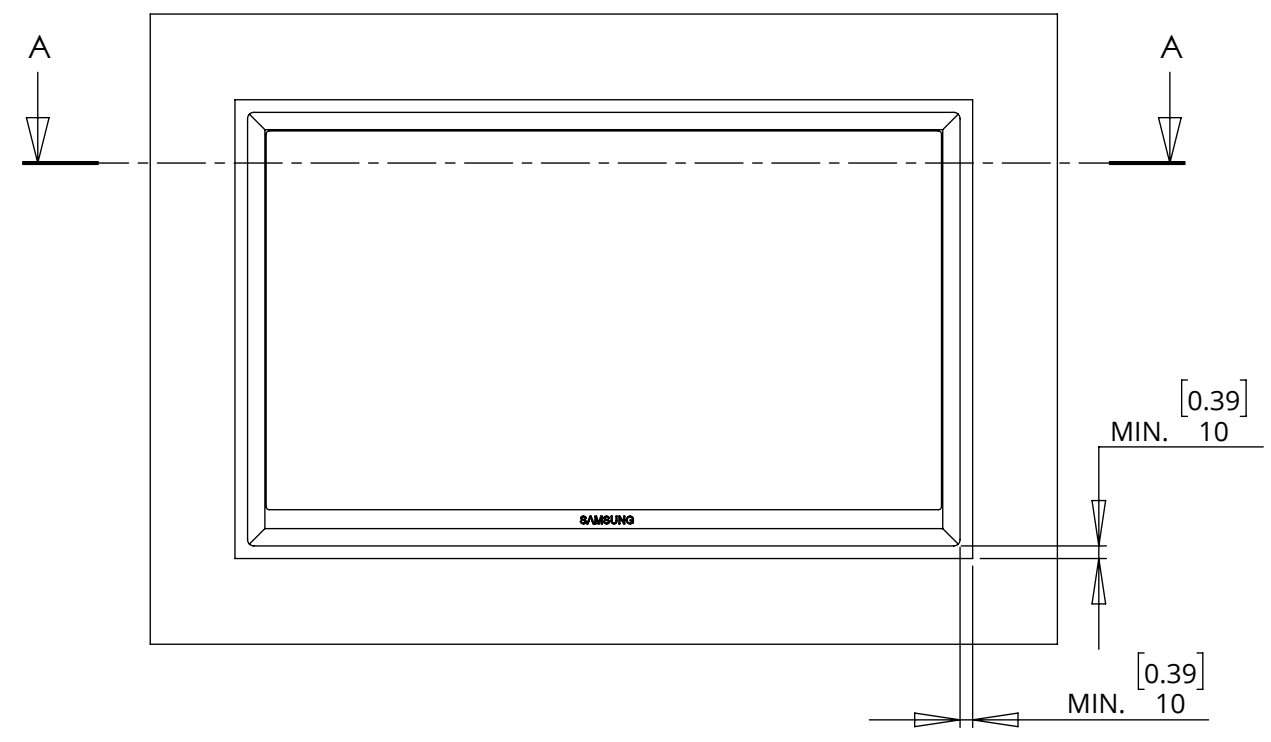


Wall Plate - Dimensions

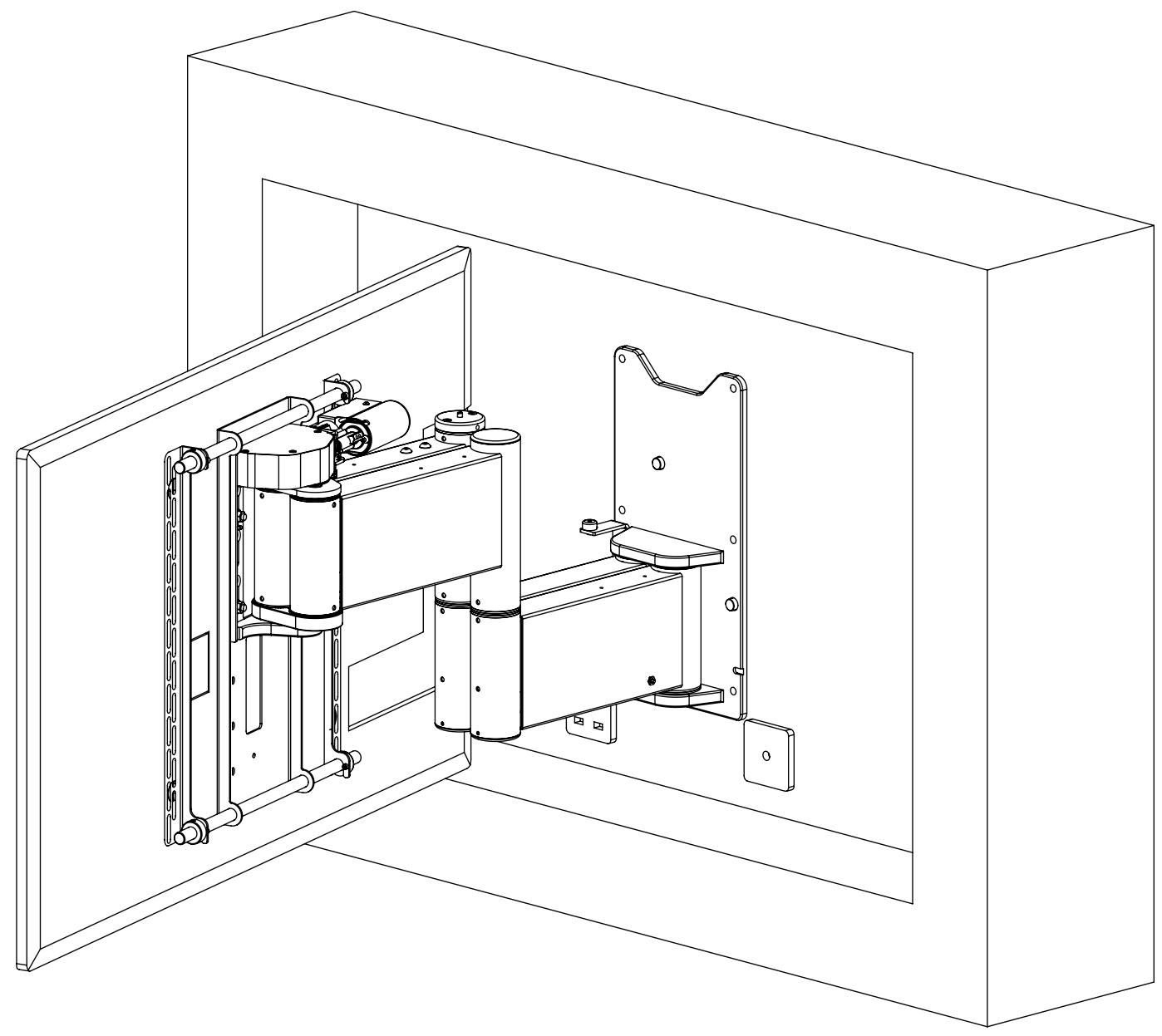
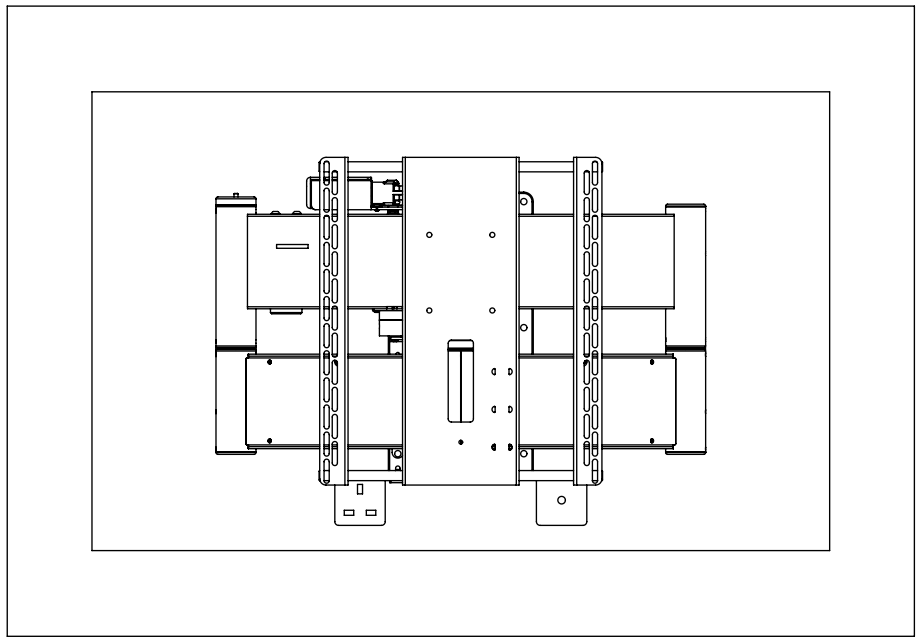


QA2 Quad Arm

Design Highlights



SECTION A-A
SCALE 1 : 12



RECESS DEPTH = Screen Depth + 135 [5.3]

A recess 10mm larger than the perimeter of the screen is acceptable. The screen will move out before turning. Allow for screen ventilation when creating recesses as tight as this.

For further information about control options and installation see QA2 INSTRUCTIONS.PDF

When putting in recesses and using the bracket at the maximum angle, beware of obscuring part of the screen. The example shown is a 1130mm wide screen with a depth of 28mm. With a deeper or wider screen the maximum angle will need to be reduced.