

RP-PS-M RUBBER POST KIT



RUBBER SCREEN POSTS

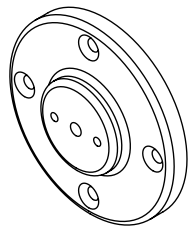
4 x Rubber screen Posts to be used with the marine PS bracket to apply pressure to the screen edges.

Mount boss to be secured to the wall with countersunk fixings. Then the Rubber Buffer can then be extended and locked against the screen.

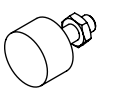
Sets of 20mm, 30mm & 40mm spacers provided.

What's Included?

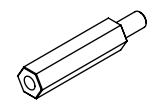
4 x Mount Boss



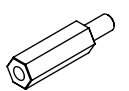
4 x Rubber Buffer



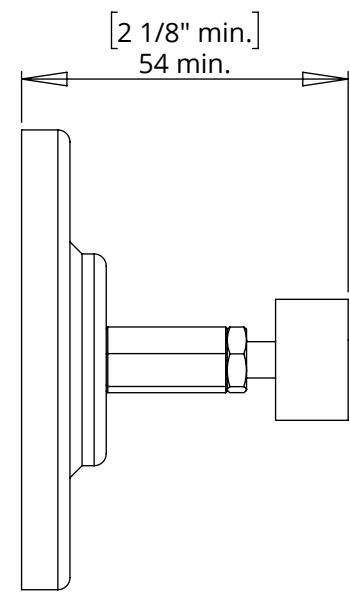
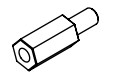
4 x 40mm Spacer



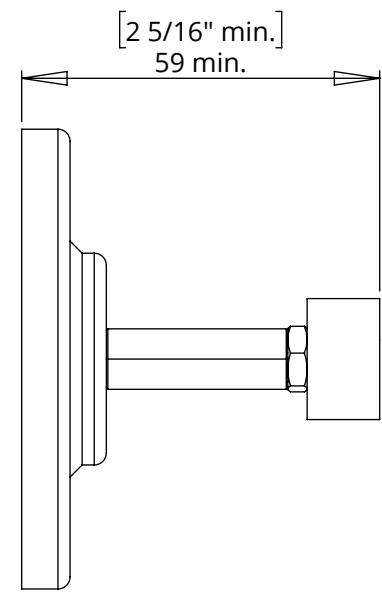
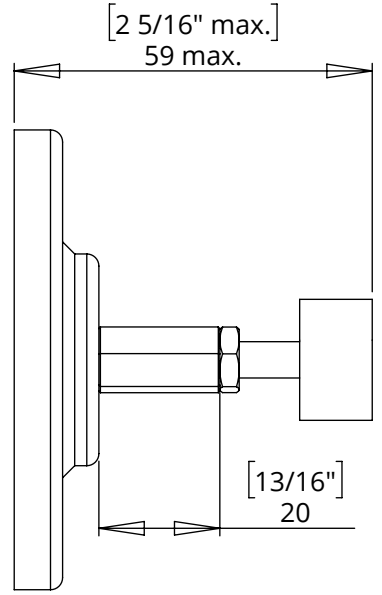
4 x 30mm Spacer



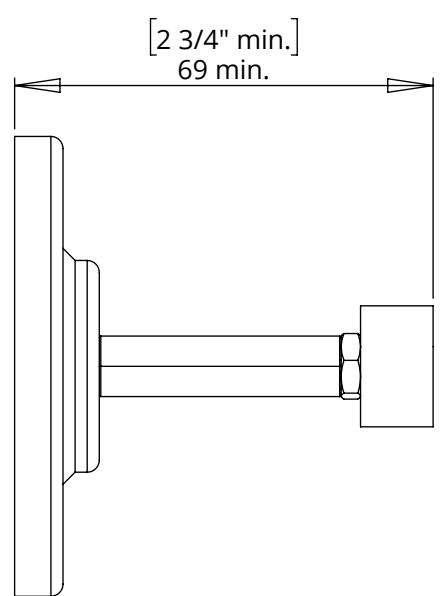
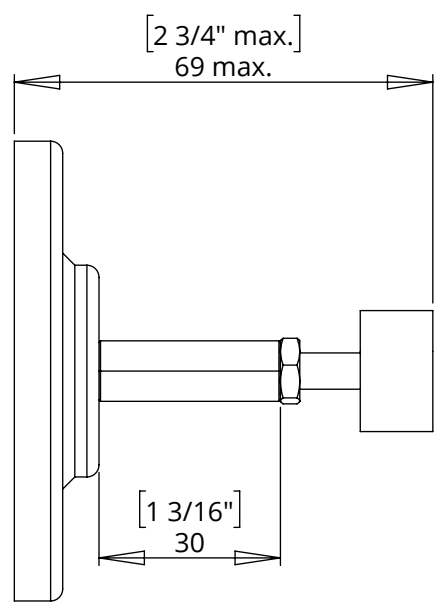
4 x 20mm Spacer



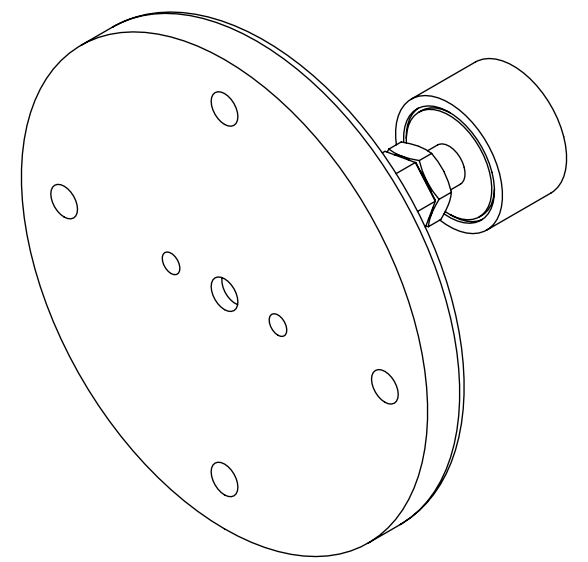
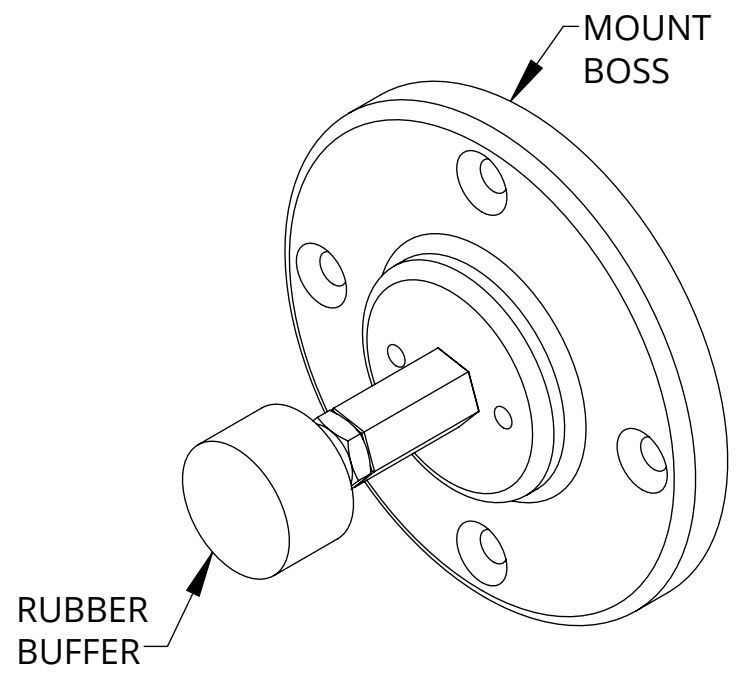
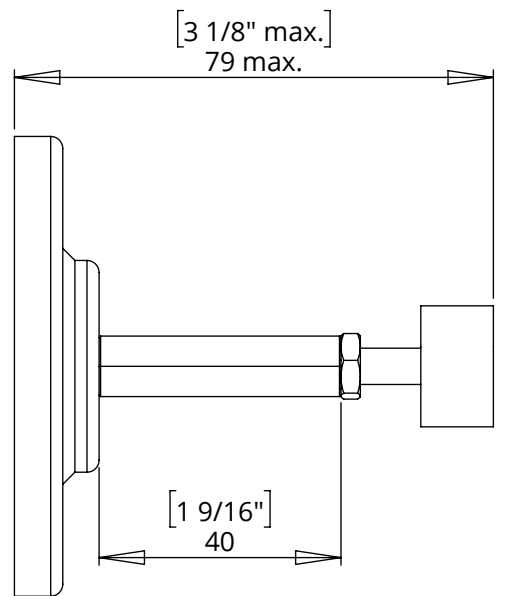
20mm SPACER



30mm SPACER



40mm SPACER



RP-PS-M

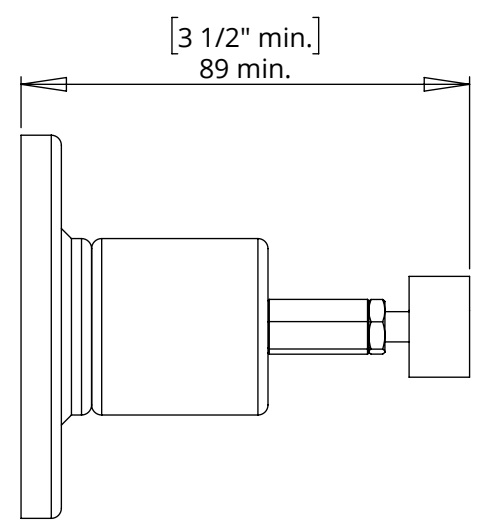
RUBBER POST KIT



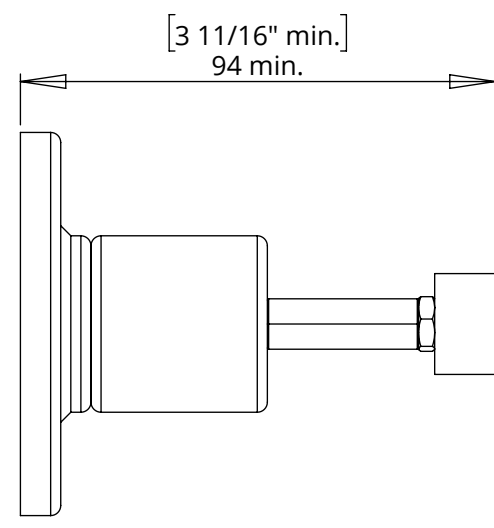
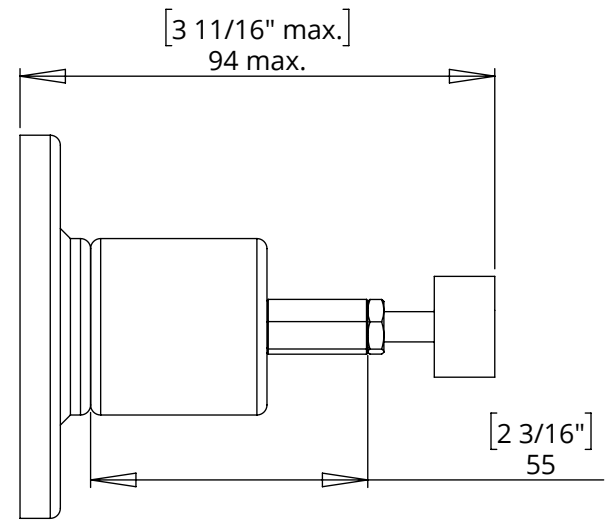
future automation

RUBBER SCREEN POSTS - PS80-M

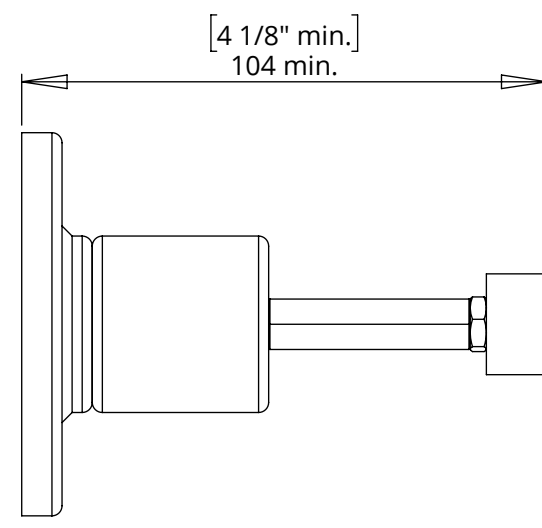
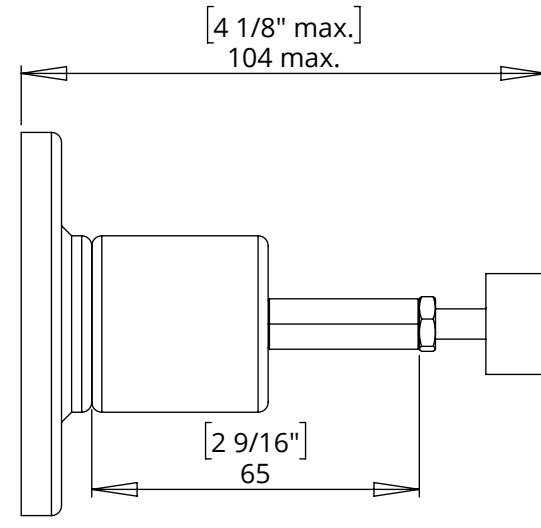
Extensions for the Mount Bosses are provided with the PS80-M to allow the Rubber Post kit to function with the larger bracket.



20mm SPACER



30mm SPACER



40mm SPACER

