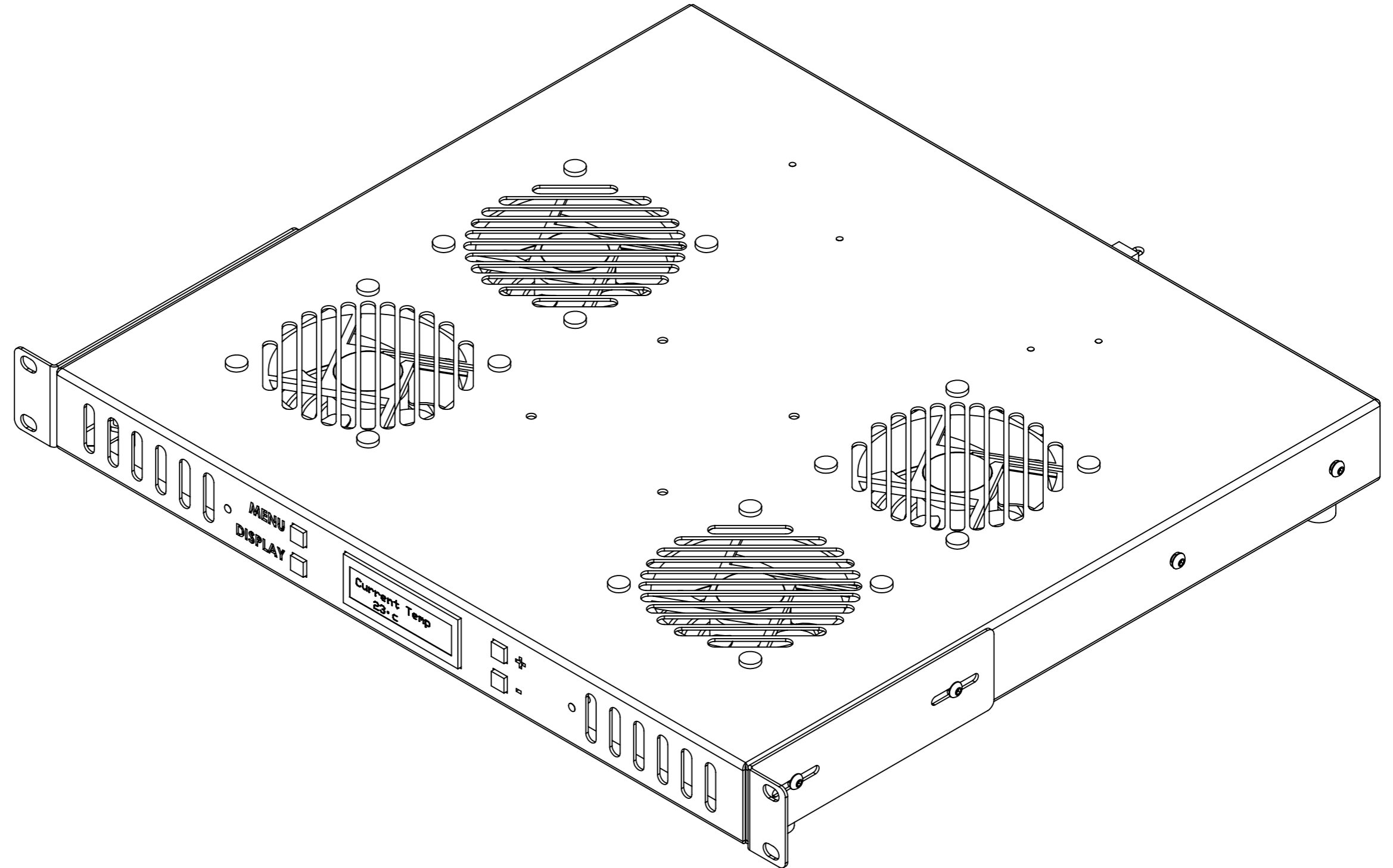


The Smart Airflow Control range is designed to regulate airflow around equipment in AV racks or in confined spaces. The SAC-T acts as a shelf for equipment (e.g. AV receivers) which forces airflow upwards through the unit to improve airflow aiding the natural convection inside the space. Units can be combined to further increase airflow.

DESIGN HIGHLIGHTS

- Temperature controlled variable fan state & speed with equipment overheat alarm
- Near silent operation with vibration isolating rubber mounts
- Height efficient design to maximise use of space within rack / cabinet
- Optional 19" Rack mounting supplied (1U)
- Self contained unit with onboard electronics for simple installation



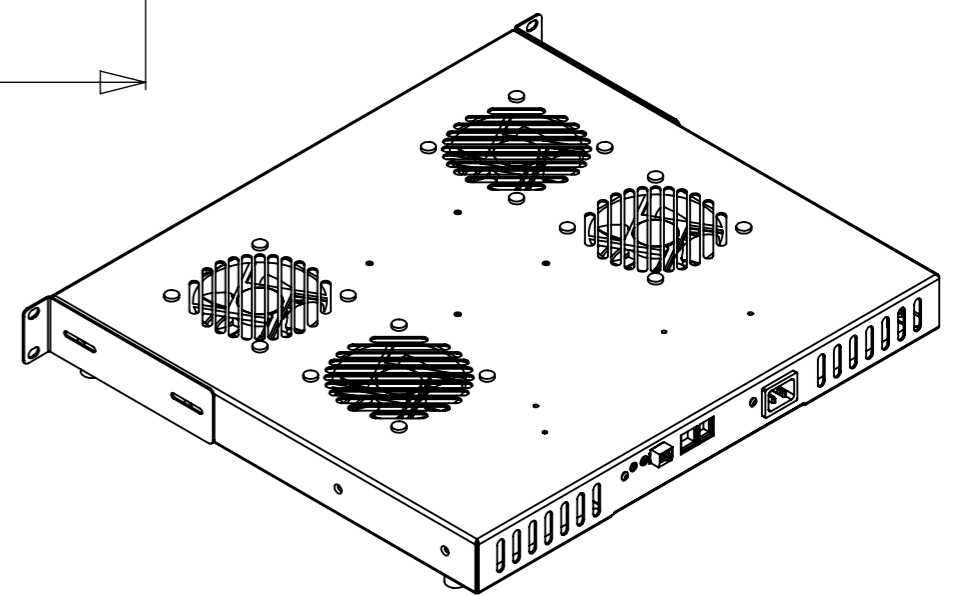
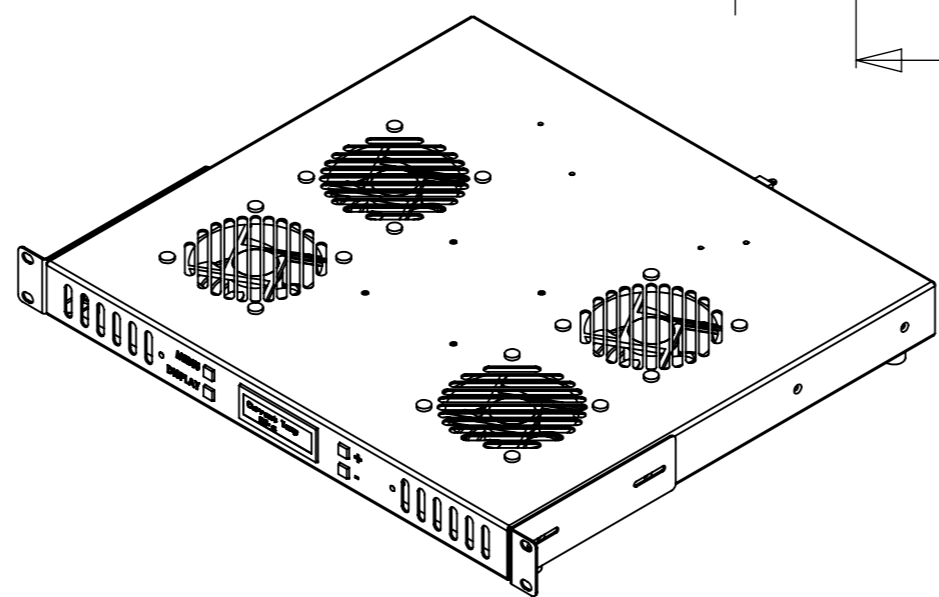
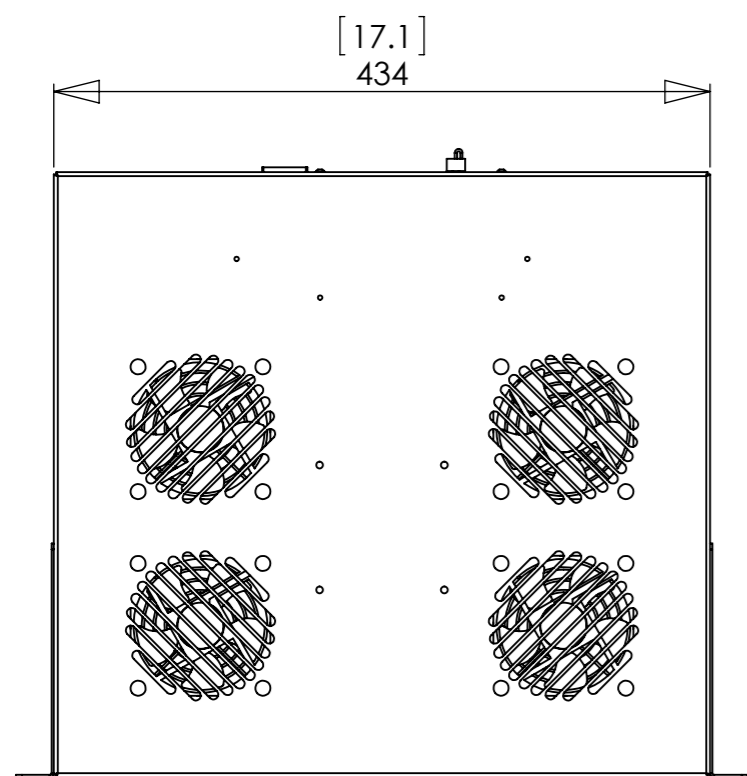
OPTIONS

- Custom sizes available
- Any RAL colour available

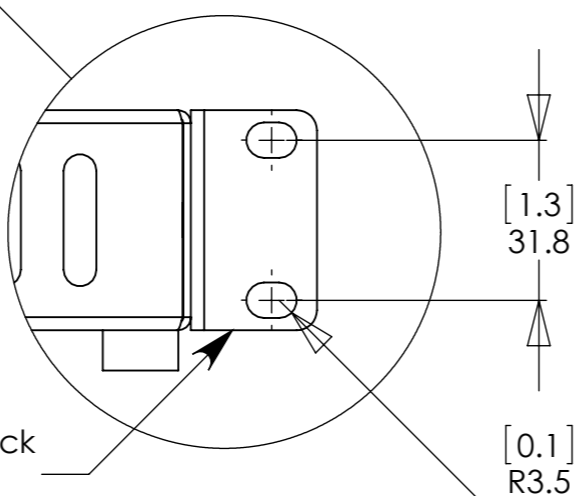
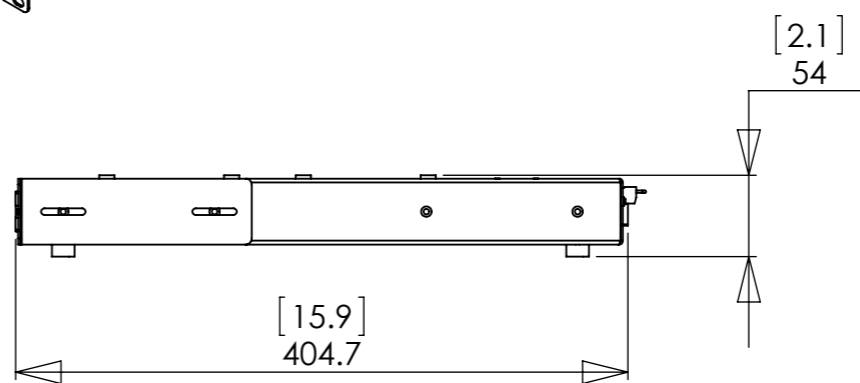
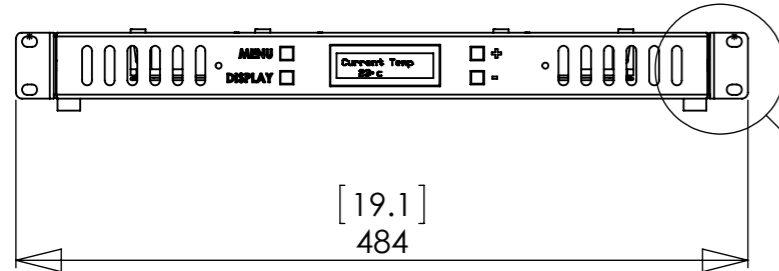
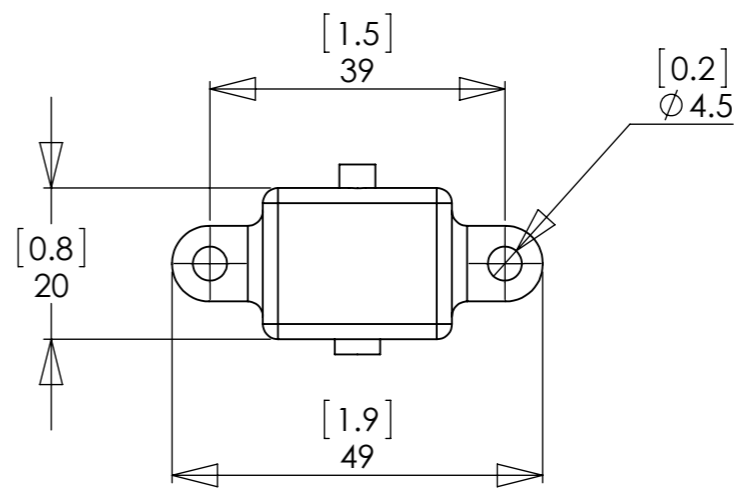
WARNING

It is the responsibility of the installer to warn all potential end users of the dangers of interfering with mechanisms during operation

General Dimensions

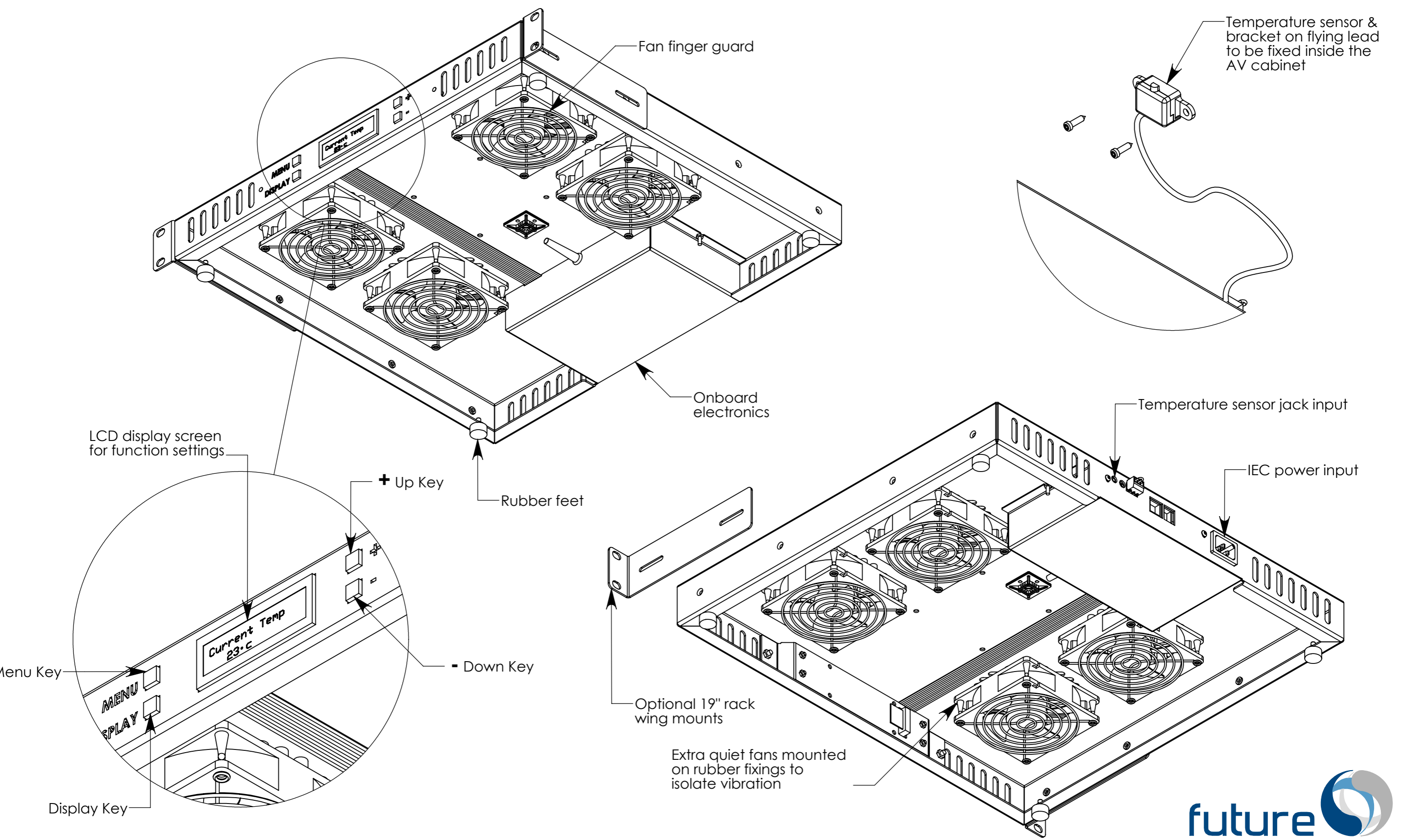


Temperature Sensor Mount

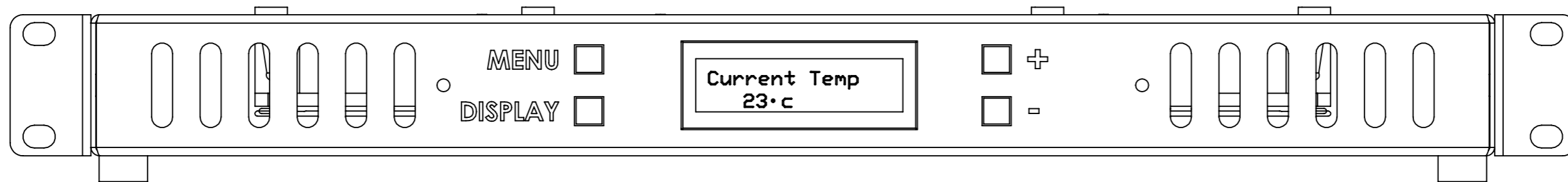


Optional 19" Rack Mount Wing

SAC-T - Smart Airflow Control - Tray



Operating Instructions



DISPLAY Function:

1. Each press of the 'DISPLAY' button will cycle the display through the following:

- "Current Temp" - Default
- "Lowest Temp" - Displayed for 3 seconds
- "Highest Temp" - Displayed for 3 seconds

2. In order to reset the values recorded for Lowest Temp and Highest Temp press the '+' and '-' buttons simultaneously whilst displaying either value. The recorded values will now change to reflect the current temperature and be displayed on the screen.

MENU Function:

1. Each press of the 'MENU' button will cycle the display through the following:

- "Set ON at" - The temperature at which the first pair of fans activates
- "Set BOOST at" - The temperature at which the second pair of fans activates
- "Set OFF at" - The temperature at which any fans will deactivate
- "Set ALARM at" - The temperature at which the alarm will sound and below which the alarm will turn off
- "Set SCALE" - Toggles the display between Celsius and Fahrenheit

2. Use the '+' and '-' buttons to adjust any of the above settings.