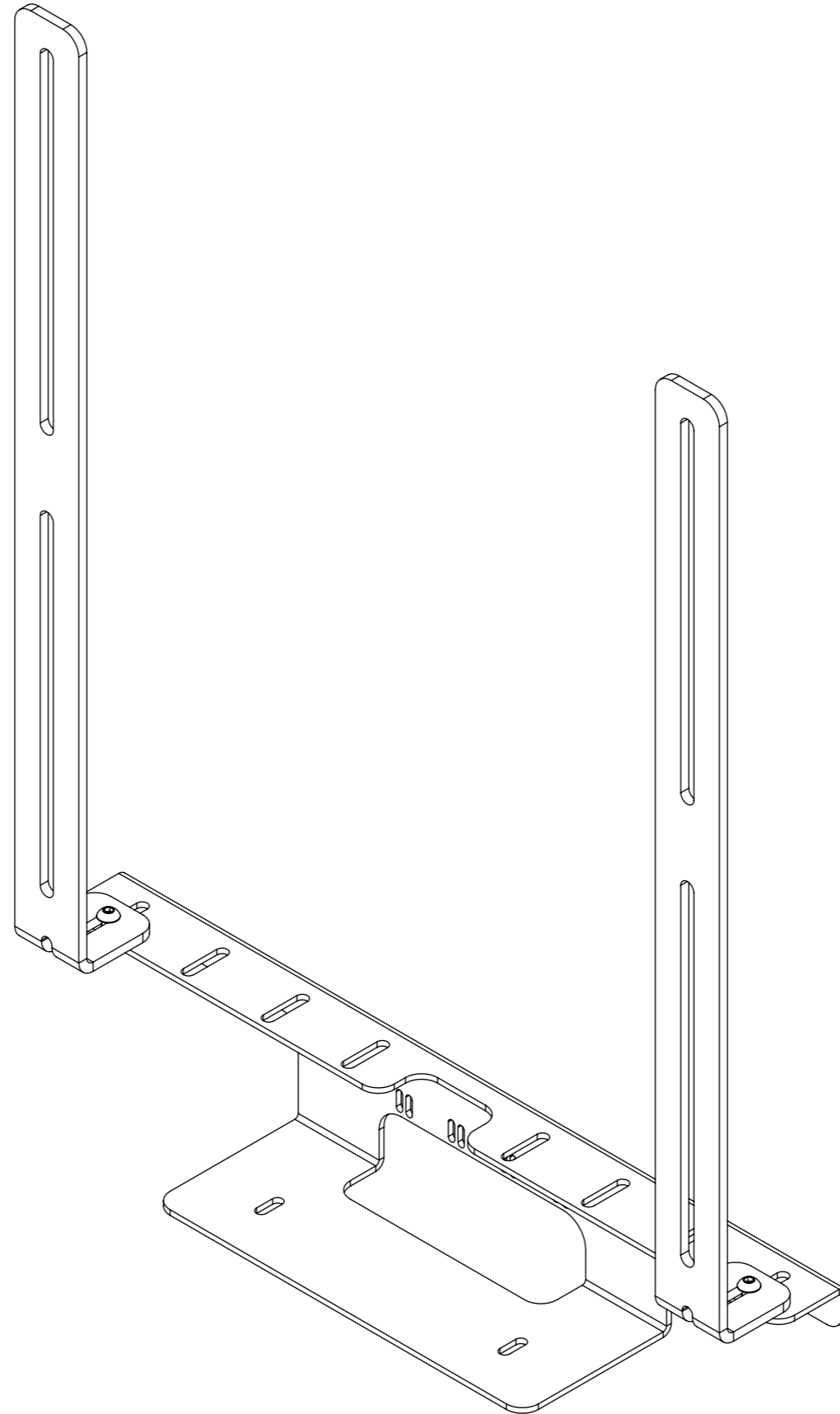


SM-BEAM

SONOS BEAM SPEAKER BRACKET



future automation



SM-BEAM

SONOS BEAM SPEAKER BRACKET



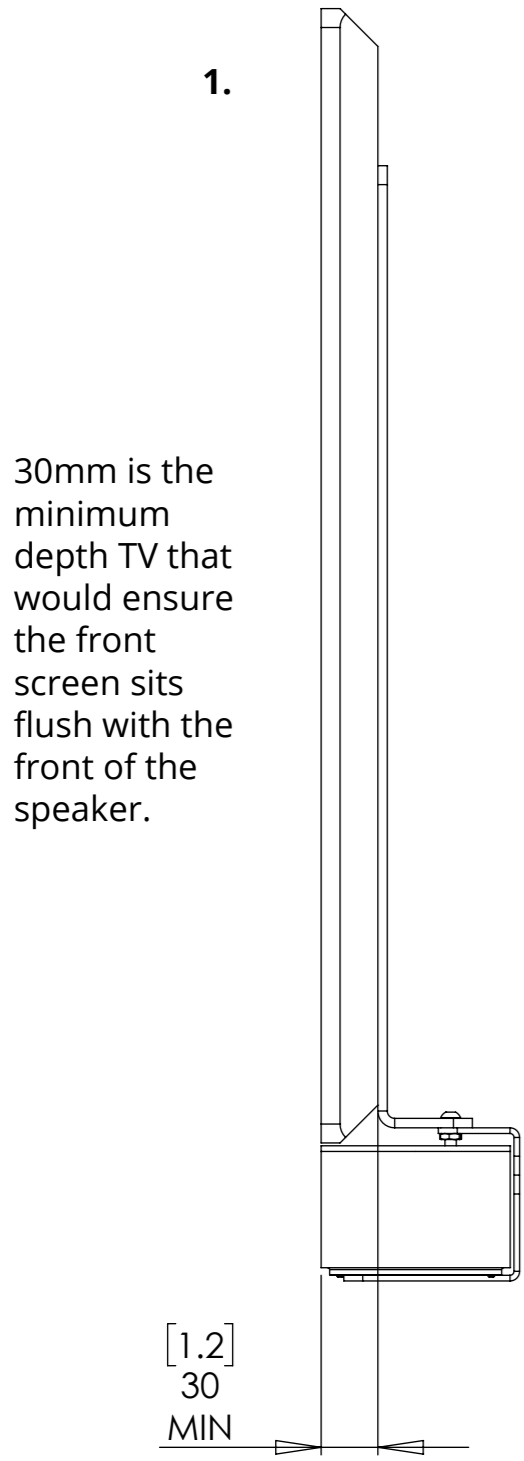
SPECIFICATION	MEASUREMENTS
Max depth adjustments	46.5mm (1.8")
Weight	2.65Kg (5.84lb)
Speaker Dimensions HxWxD	68.5mm (2.70") x 651mm (25.625") x 100mm (3.94")
Mounting Patterns Supported	VESA 400, 300, 200 W x 400, 300, 200 H
Package Contents	Mechanism
Marine Suitable	Yes (Indoor)
Product Options / Features	Specific to BEAM Sonos speaker

SM-BEAM

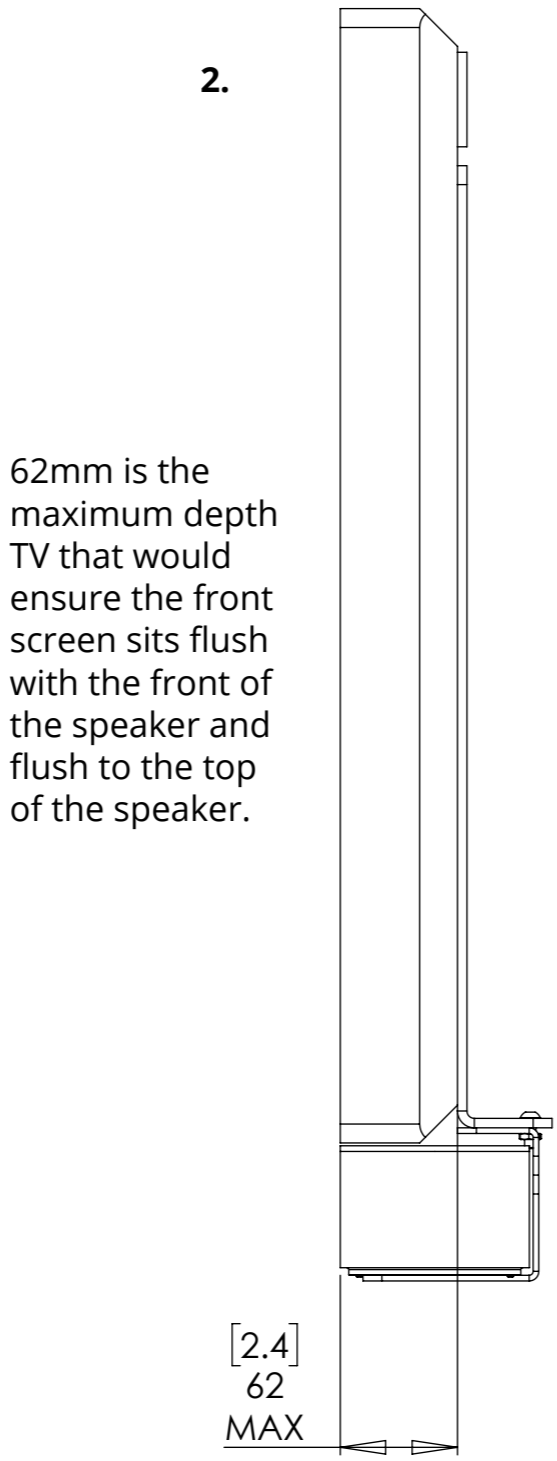
SONOS BEAM SPEAKER BRACKET



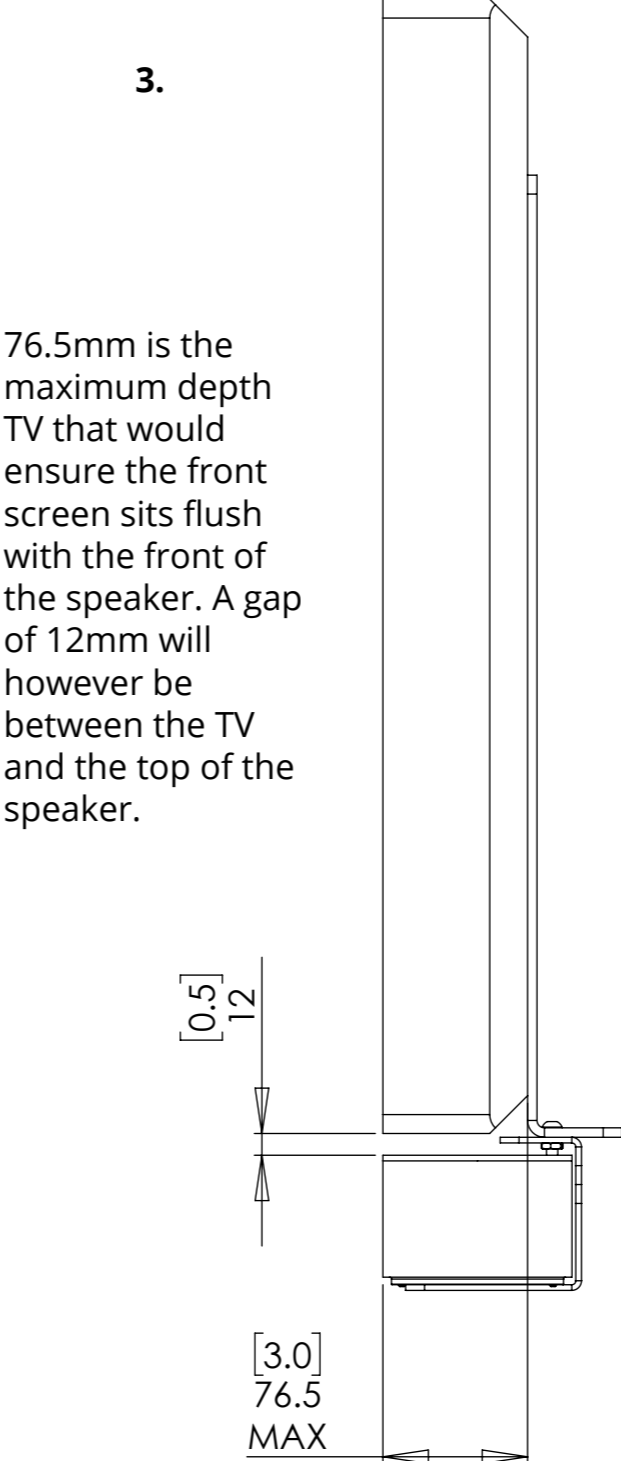
MOUNTING CONFIGURATIONS



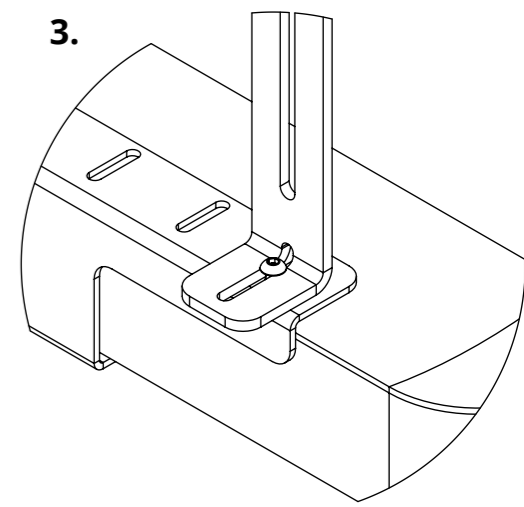
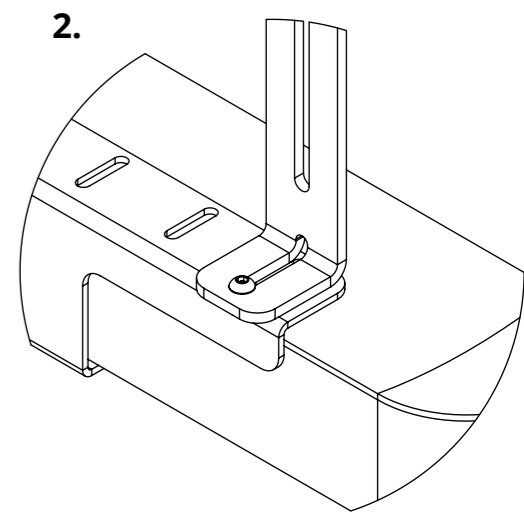
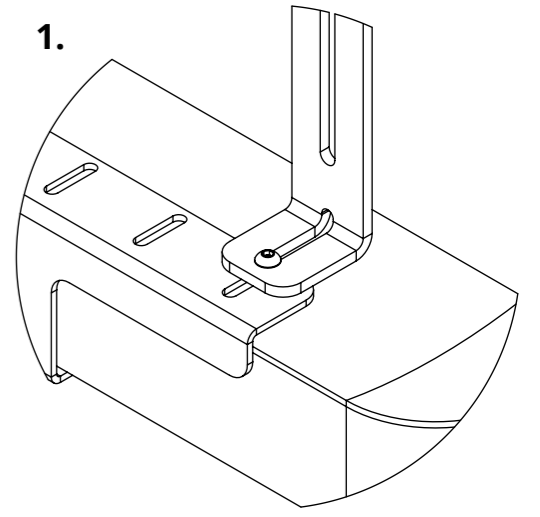
30mm is the minimum depth TV that would ensure the front screen sits flush with the front of the speaker.



62mm is the maximum depth TV that would ensure the front screen sits flush with the front of the speaker and flush to the top of the speaker.



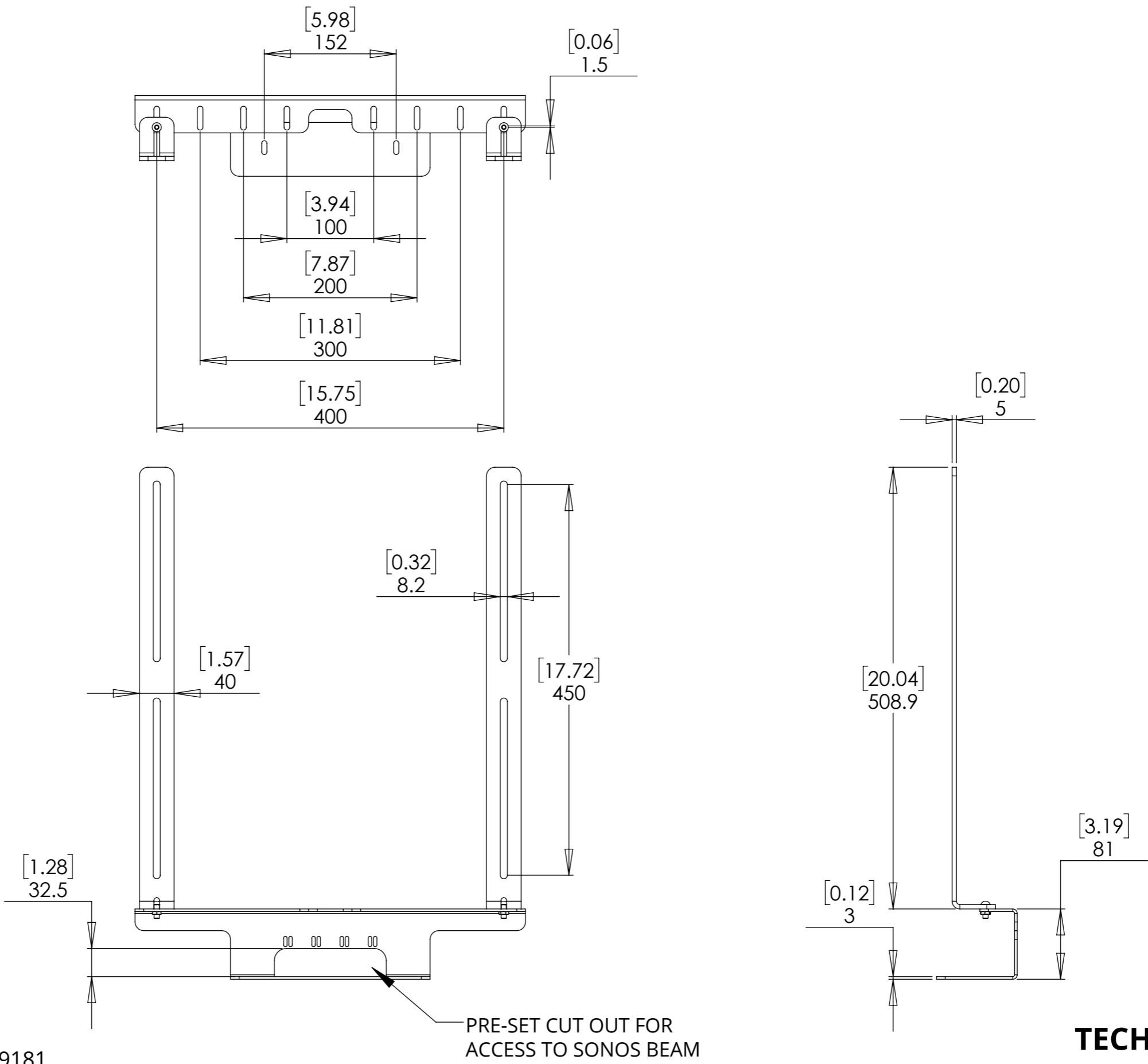
76.5mm is the maximum depth TV that would ensure the front screen sits flush with the front of the speaker. A gap of 12mm will however be between the TV and the top of the speaker.



SM-BEAM

SONOS BEAM SPEAKER BRACKET

DIMENSIONS

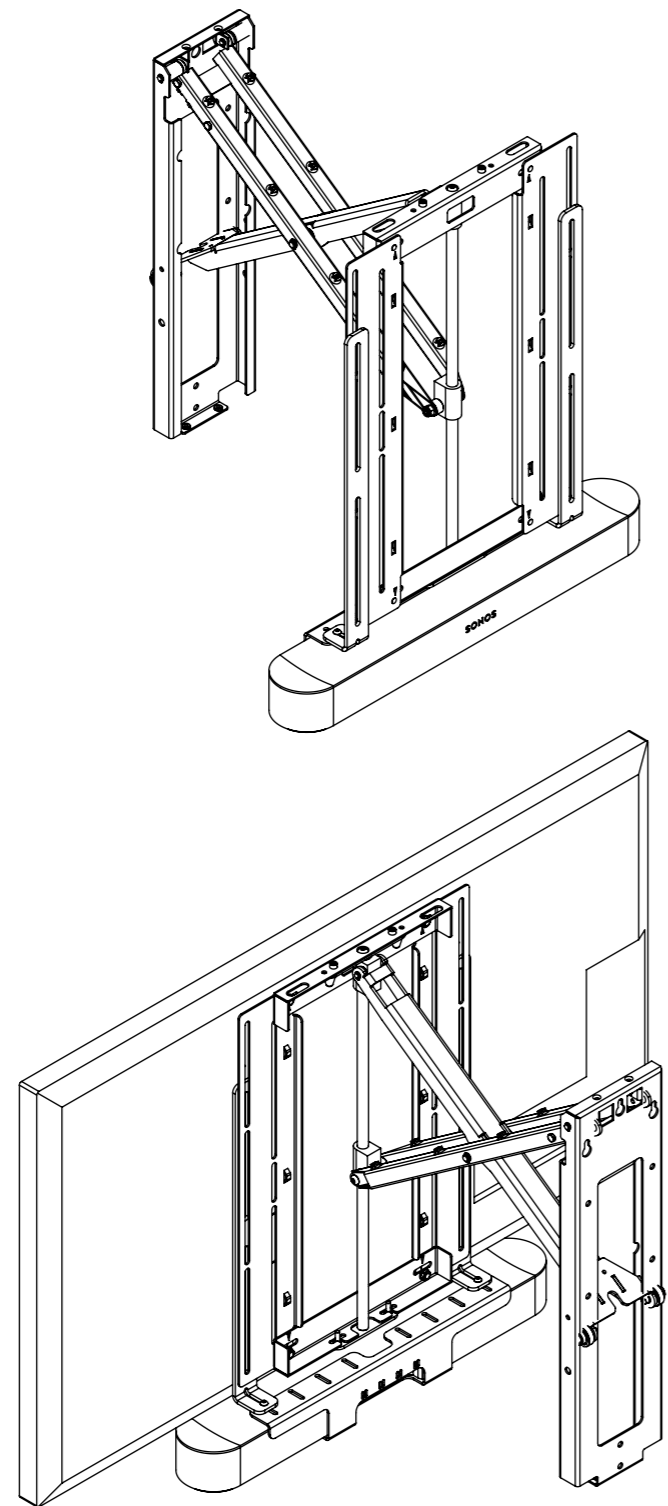


SM-BEAM

SONOS BEAM SPEAKER BRACKET

PRODUCT CONFIGURATIONS

PS55 (Plasma Screen 55" Mount) Example



PSE90 (Plasma Swivel Electric) Example

