

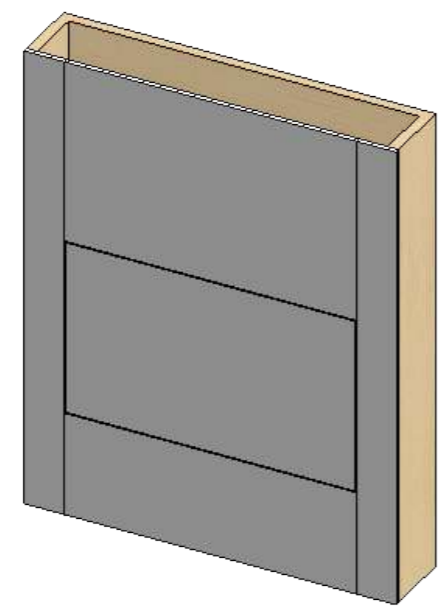


DESIGN HIGHLIGHTS

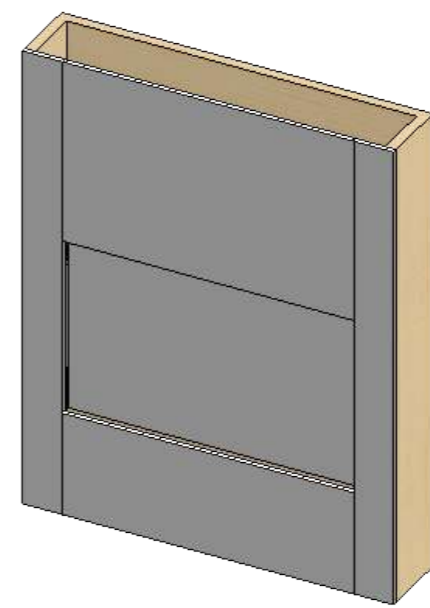
- Quiet smooth three motor system.
- Space efficient design.
- Unique functionality.
- Wide range of cabinetry and wall design options.

OPTIONS

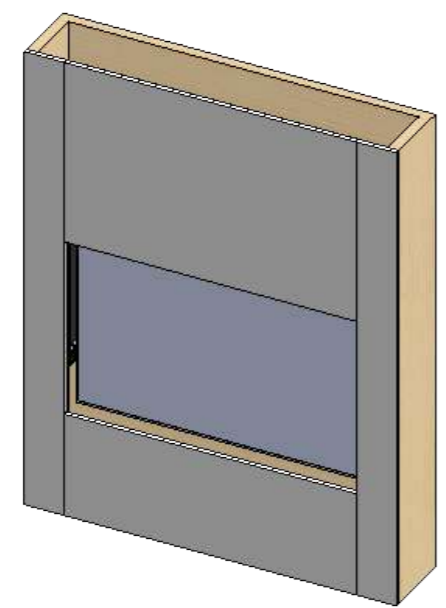
- Marine suitable.
- Horizontal versions.
- Horizontal double panel systems.
- Vertical double panel systems.
- Larger screen options.
- Combination with the SA Screen Advance mechanism.



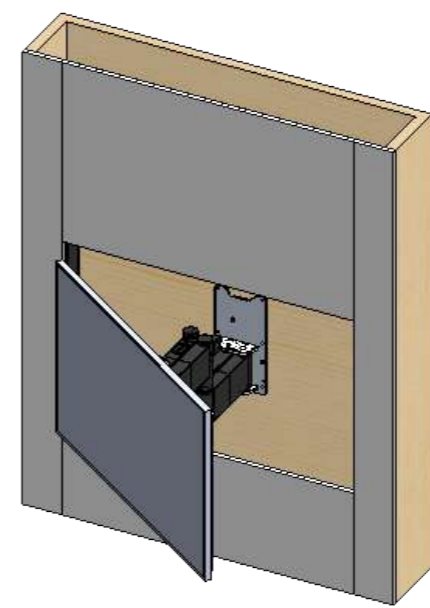
A panel the same size as the screen fills the opening.



Panel drops back



Panel lifts up/drops down to reveal TV in recess



Screen can then be advanced to fill the opening or swivelled to desired viewing position.

Panel Drive Included

The **Panel Mechanisms** and the **Panel Drive** are all telescopic to efficiently accommodate different screen sizes.

WARNING

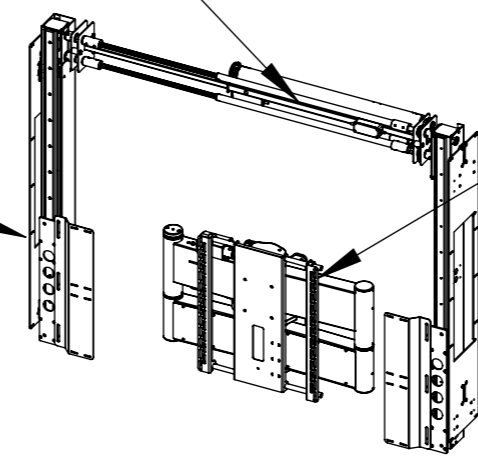
It is the responsibility of the installer to warn all potential end users of the dangers of interfering with mechanisms during operation

IMPORTANT

Mechanisms which lift or move weights need to be checked on a yearly basis for any damage which may result in an accident

Just mechanism as supplied. Four separate mechanisms make up the kit.

Panel Mechanism SPS800 Included



Quad Arm (QA2) Included

Panel Mechanism SPS800 Included

FUNCTION

This mechanism retracts a single panel inwards and out of sight behind surrounding panel work before advancing the screen to sit flush with the wall.

SUITABILITY

The SPS 800 is typically suitable for screens from 42" to 55".

Minimum Screen size is (h) 750mm [21.7"] x (w) 910mm [35.4"]

Maximum Screen size is (h) 785mm [30.9"] x (w) 1400mm [55.1"]

Maximum Screen weight is 50kg [110lbs]

Please note the panel weight restriction is 10Kg [22.2lbs] on all models.

SPECIFYING

The mechanism requires the screen to be recessed into the wall or purpose designed cabinet work.

CONTROL

Supplied with basic infrared remote. Can be learnt by many learning remotes.

Also has switch control and RS232 so can be operated by relays, switches, Crestron / AMX or Lutron systems.



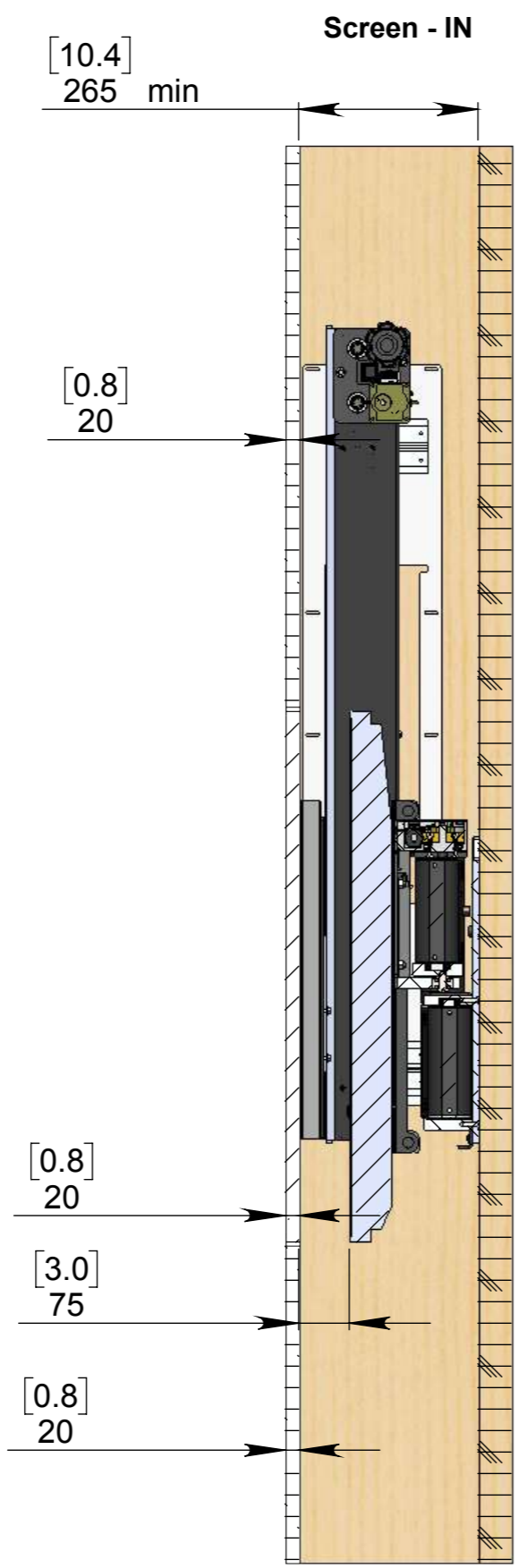
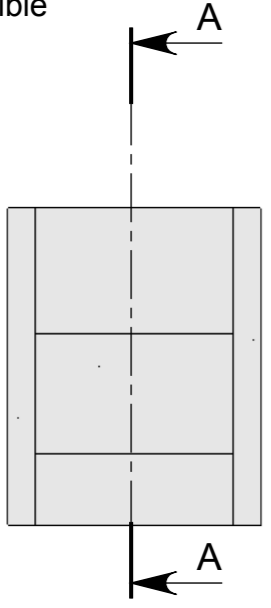
SPS800

IMPORTANT NOTES

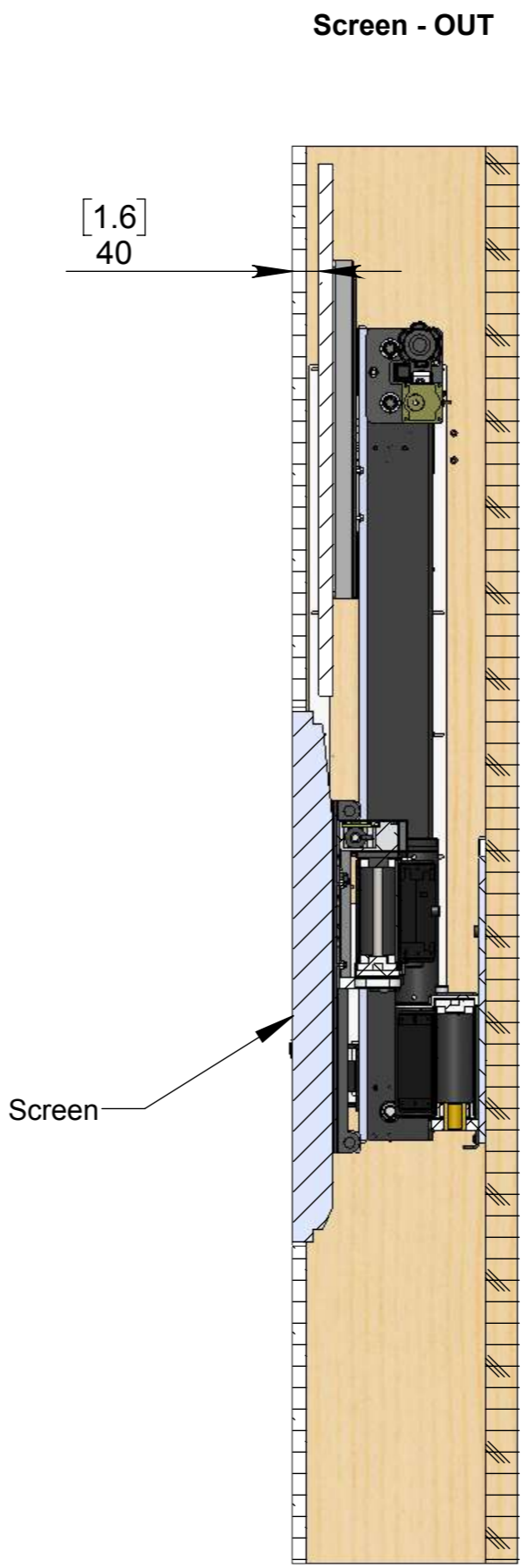
- The depth of 265mm [10.4] will allow a **maximum screen depth of 60mm [2.3"]**.
- For screens **thicker than 60mm [2.3"]** the **cavity depth must be increased**. I.e screen depth of 100mm [3.9"] - cavity depth required is 305mm [12.0"]
- Thinner screens do not allow the cavity to reduce in depth. 265mm [10.4"] is the minimum.

CABINET PANEL THICKNESS

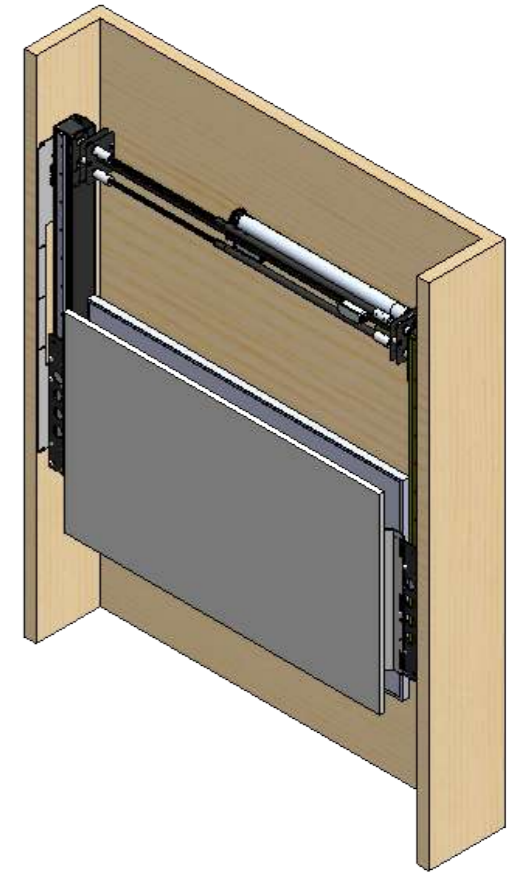
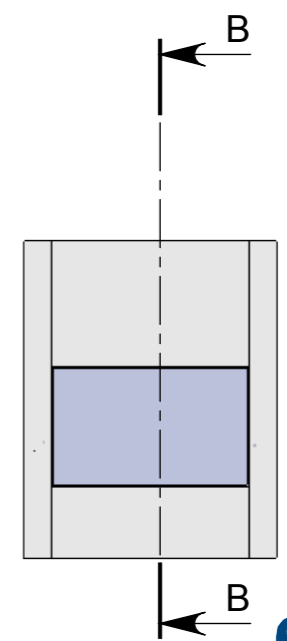
- The moving panel retracts back by 40mm [1.6"] before splitting. For this reason it is advised the **front panel work is only 20mm [0.8"] thick** to give 20mm [0.8"] clearance.
- Thicker panels will add to cabinet depth.
- The front panels must be removable to make installation possible



SECTION A-A
SCALE 1 : 10

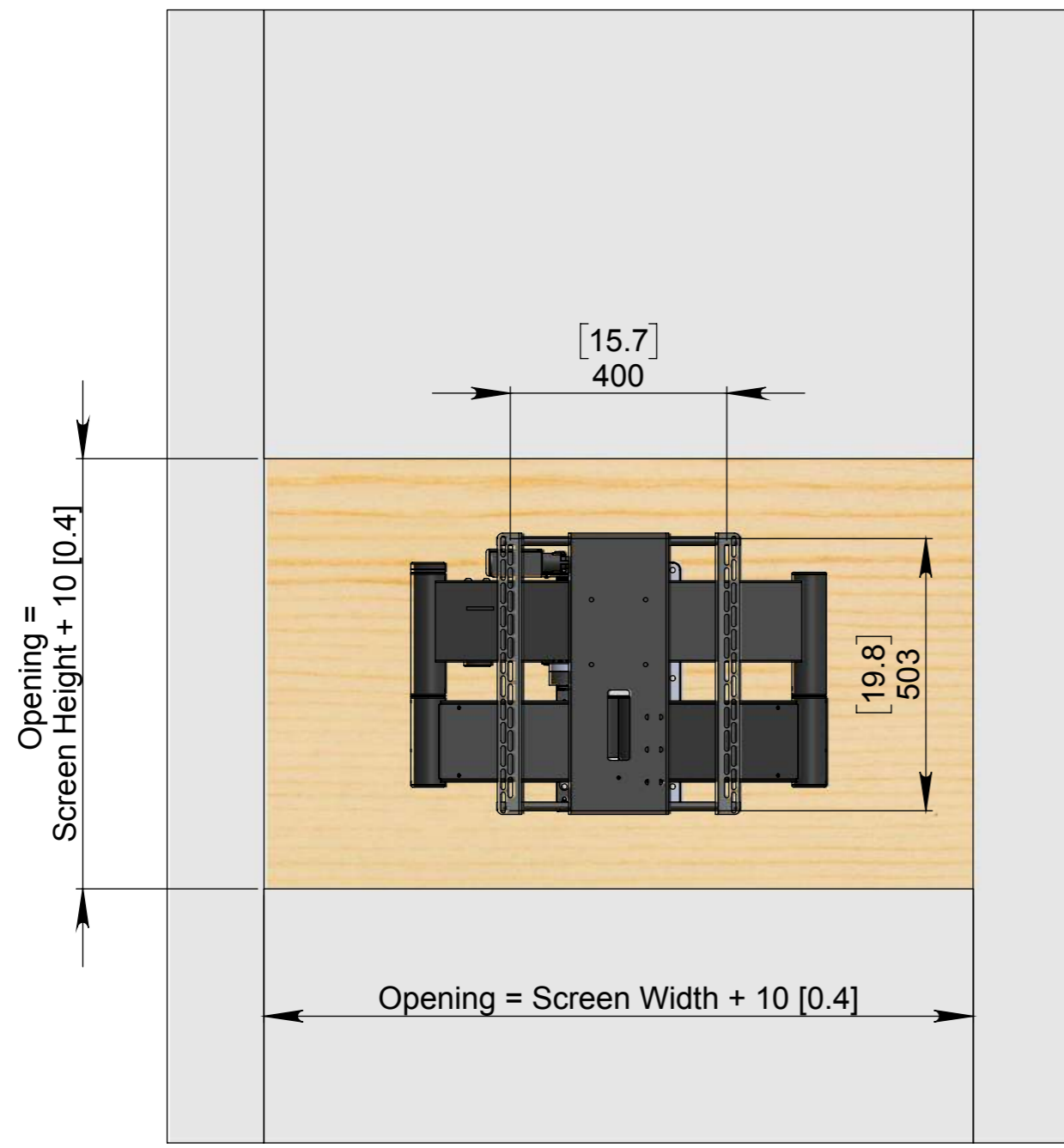
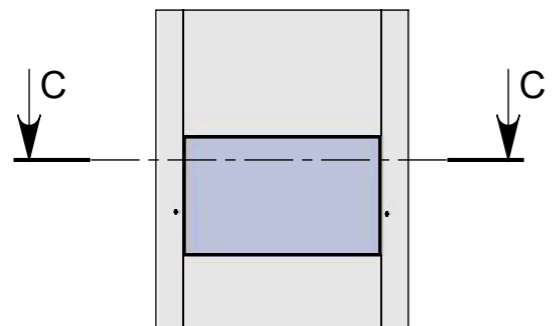


SECTION B-B
SCALE 1 : 10

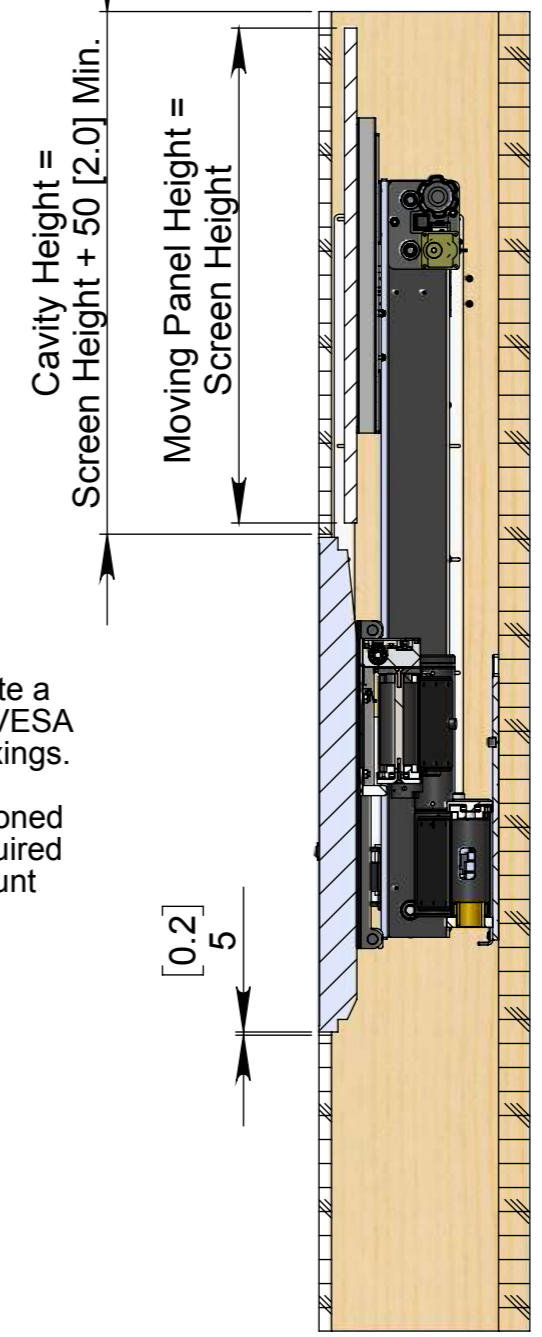
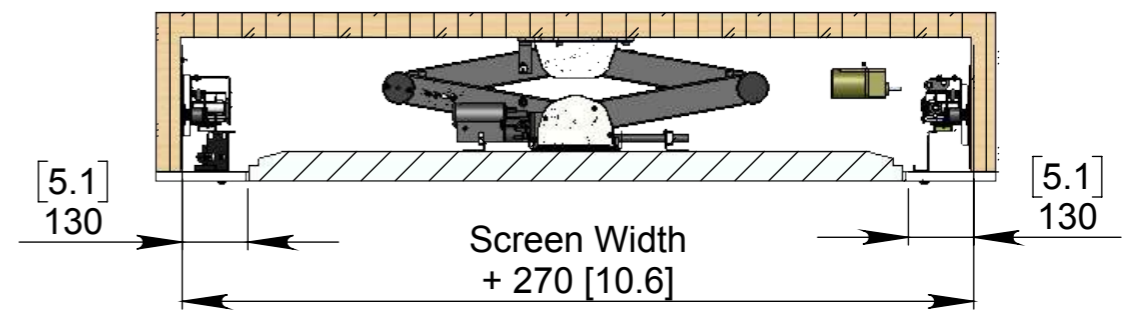


MOVING PANELS WHEN
CLOSED ARE THE
SAME SIZE AS
THE SCREEN

SPS800

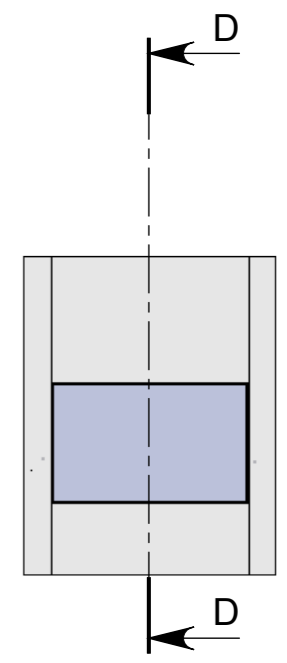


SECTION C-C
SCALE 1 : 15



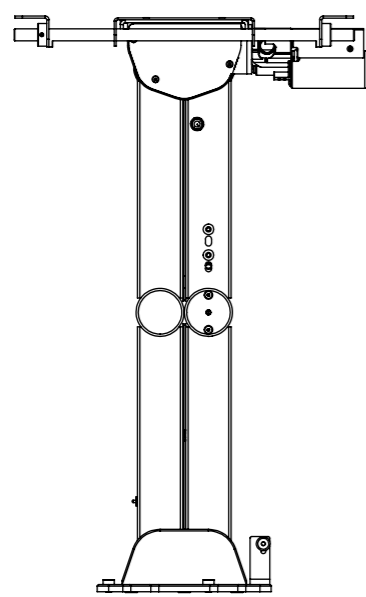
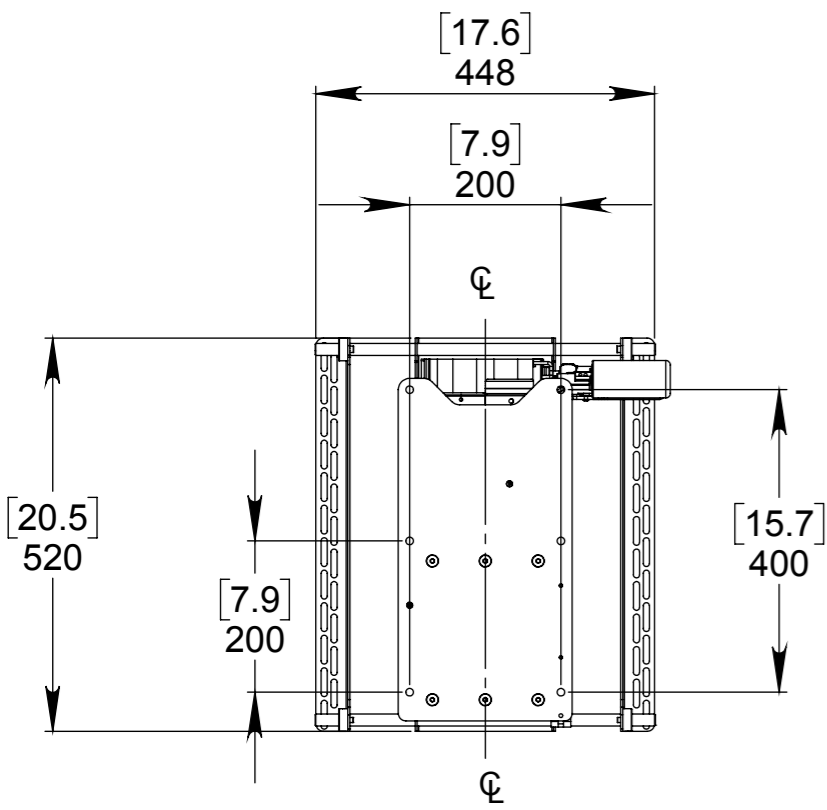
The QA2 bracket can accommodate a screen bolt pattern up to: VESA 400. Up to M8 diameter fixings.

The bracket can be positioned within the opening as required based on TV VESA mount location.

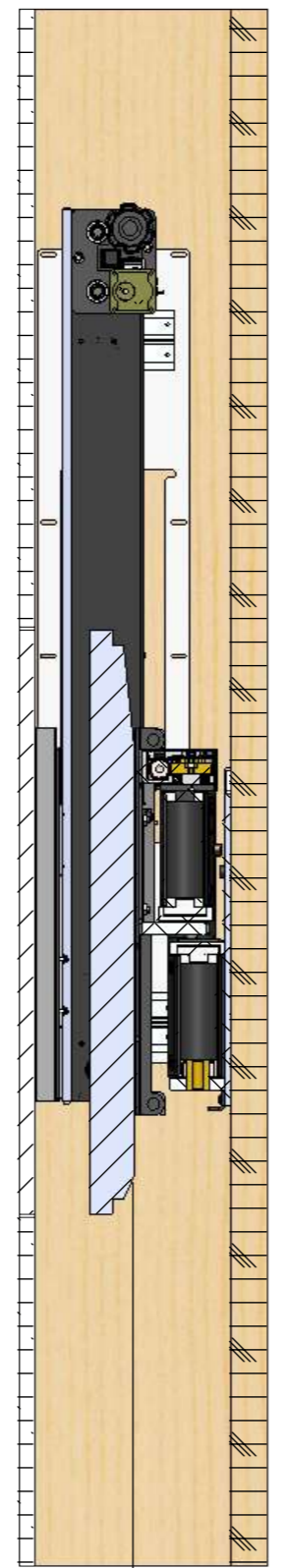


SECTION D-D
SCALE 1 : 12

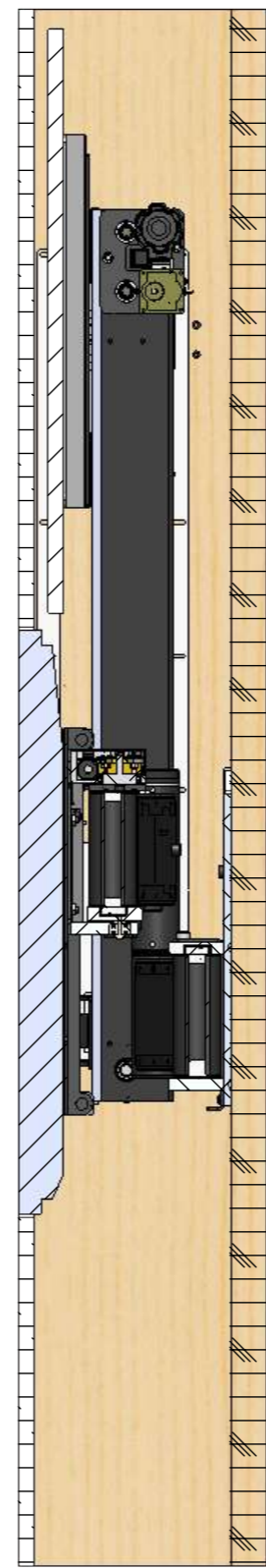
QA2 - Quad Arm



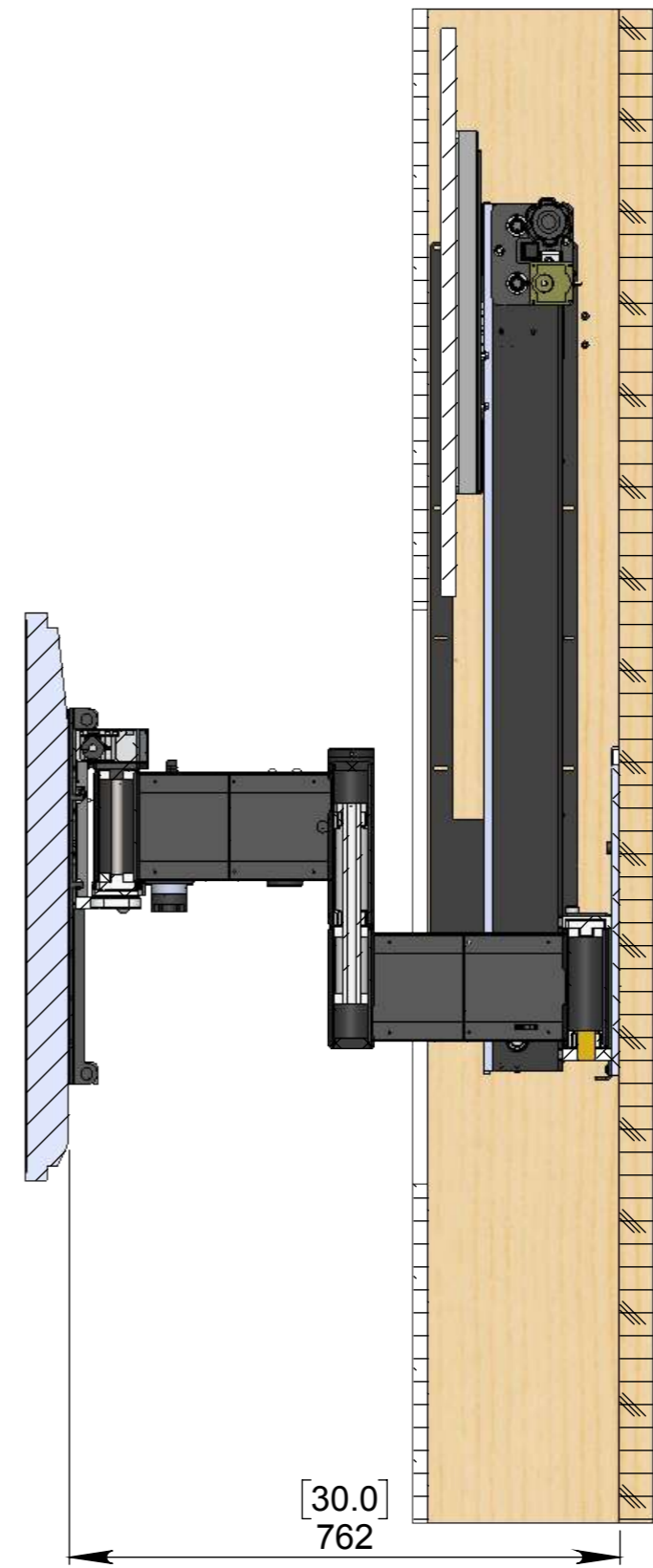
QA2 BRACKET IN



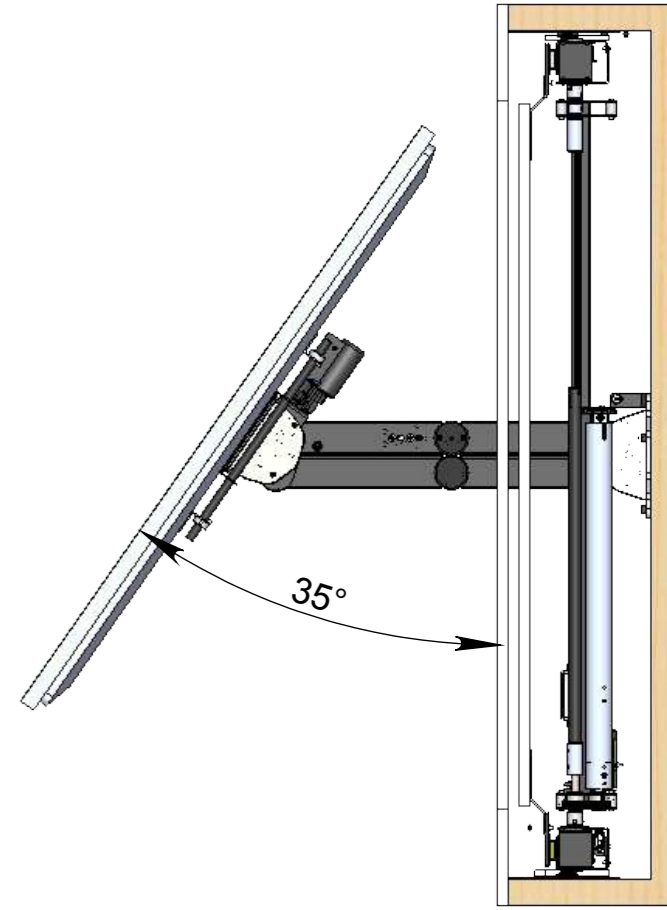
QA2 BRACKET OUT



QA2 BRACKET SERVICE MODE



QA2 BRACKET SWIVEL



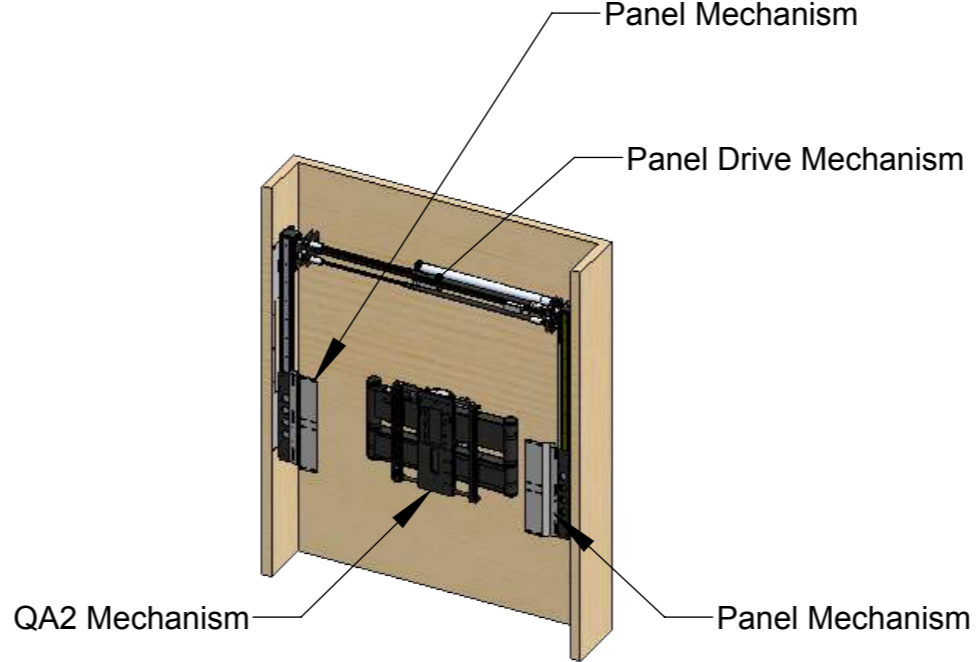
Maximum QA2 swivel angle is 75 ° however, this will be reduced dependent on screen width

The Quad Arm bracket has a service mode that can be used during installation and servicing of mechanisms and TV. This allows TV to be advanced out far from the wall to allow access to back of the screen and inside the mechanisms during fitting.

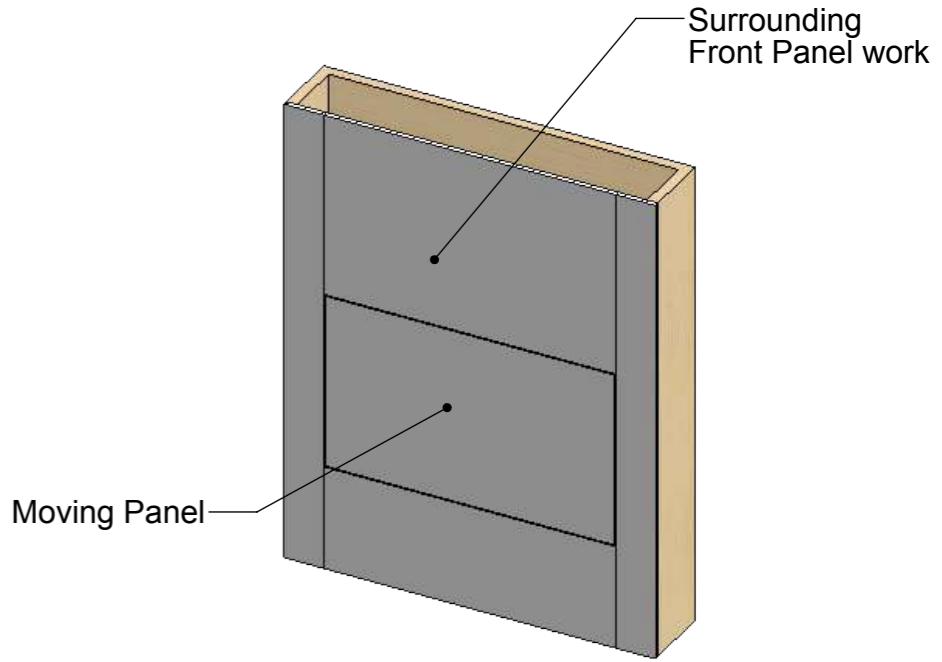
SPS Essential Access

- The SPS mechanism requires some thought to the cabinet design to make sure the mechanism elements are all easily accessible for fixing in place and for making adjustments. Poorly designed cabinets will result in a lot of wasted time during installation and setting up.
- Poor access can result in compromises being made on panel alignment and effect the quality of the installation.
- There are many styles of panel work that lend themselves to this mechanism, but ultimately all surrounding front panel work should be removable to aid in fitting of the different mechanism elements. (1)
- Image 2 shows the best system, where different panels are removable to get access at different stages of the installation and set up.
- In image 3 the side panels are removed to get access to install the Panel Drive part of this mechanism.
- (4) With the side panels in place, good access is still possible to the Moving panel mounting plates with the top and bottom panels removed. These access panels enable the main moving panel to be finely adjusted.
- A control box is supplied on a 3m [10'] flying lead. This must be fitted in an easily accessible location. This will be the first item to be checked if the mechanism stops working. Infrared, contact closure and power connections are all made here.

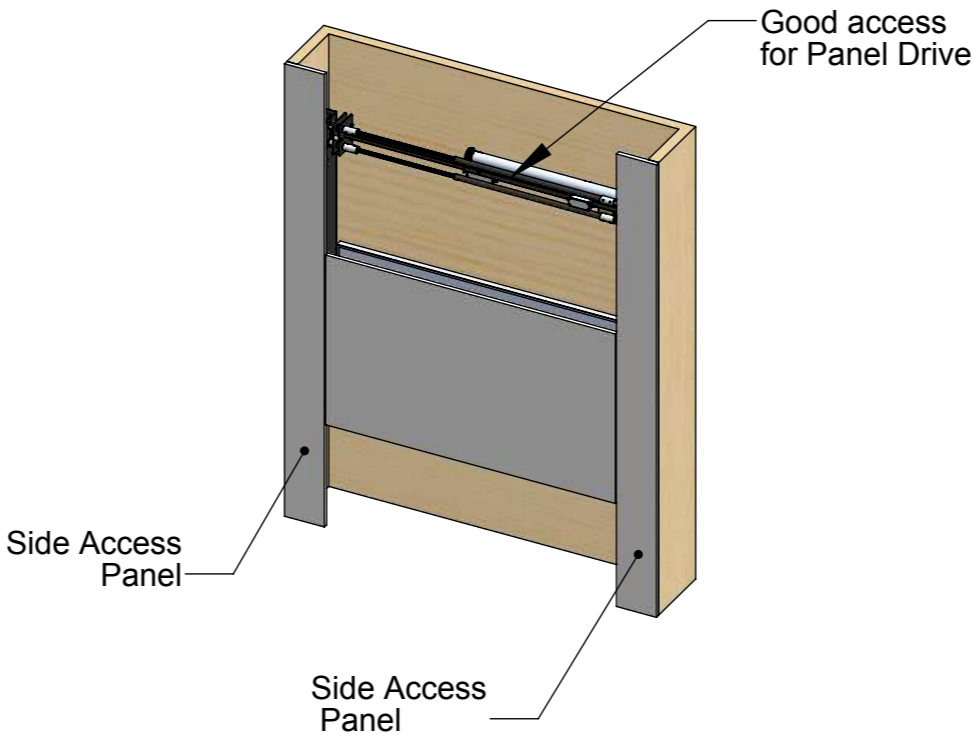
1.



2.



3.



4.

